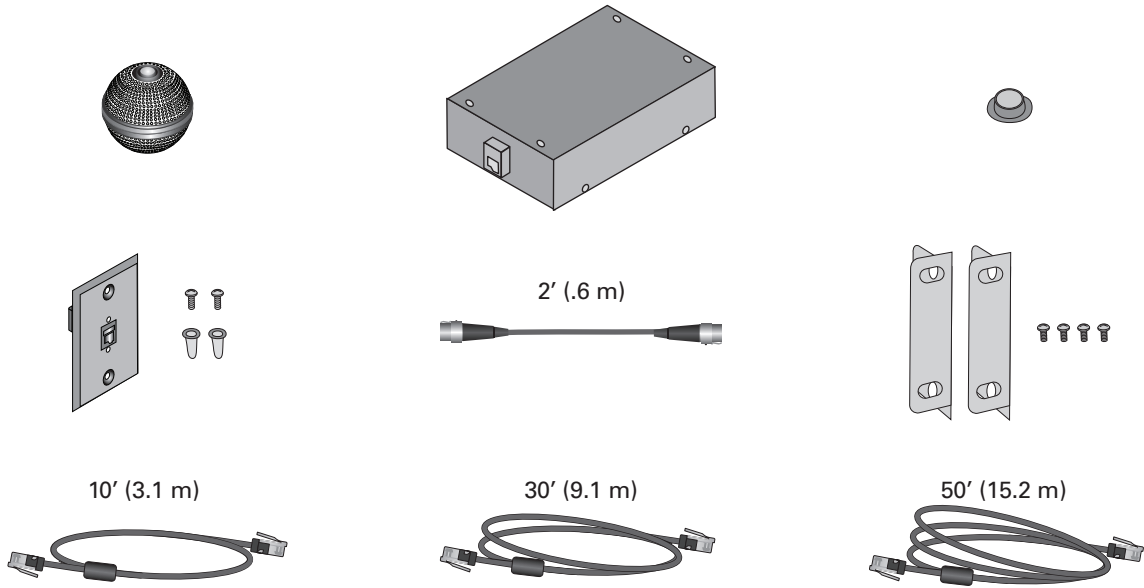




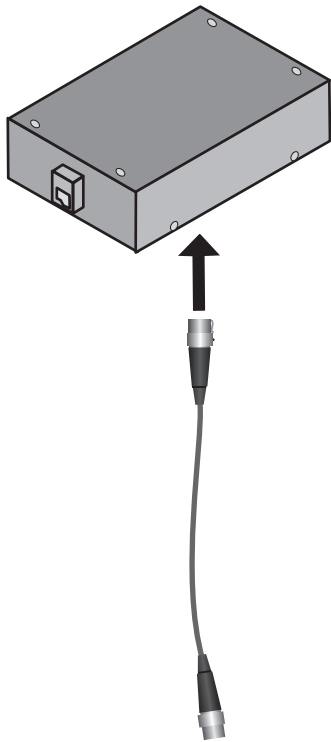
# Setting up the Polycom VSX Ceiling Microphone Array



1



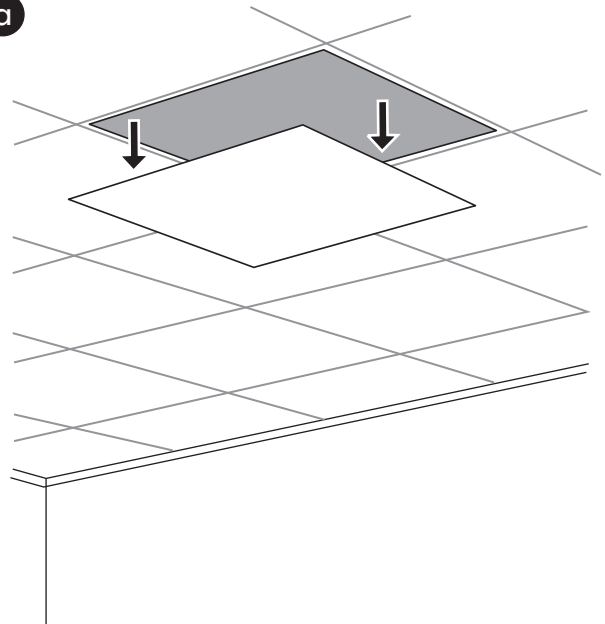
2



3

For suspended ceilings

a



[www.polycom.com](http://www.polycom.com)

© 2006, Polycom, Inc. All rights reserved. Polycom® and the Polycom logo are registered trademarks and VSX™ is a trademark of Polycom, Inc.

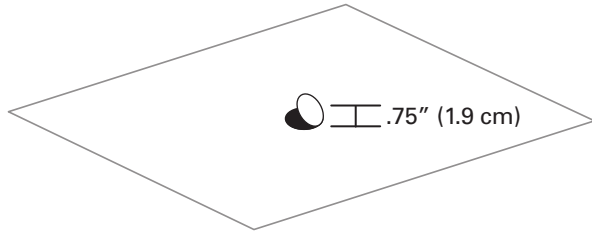
1725-24157-001/A



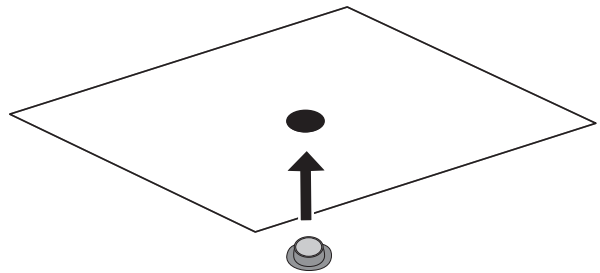
3 (cont.)

For suspended ceilings

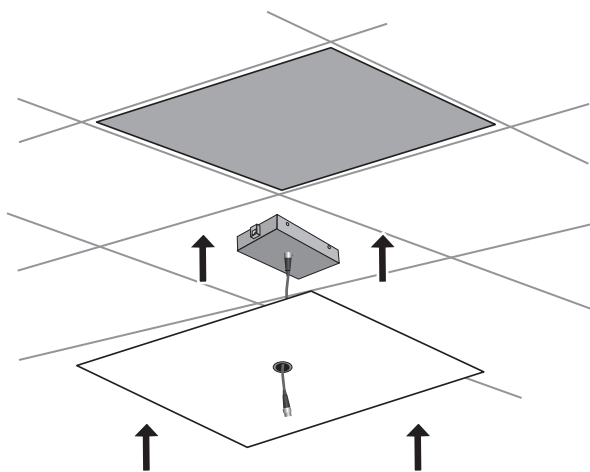
b



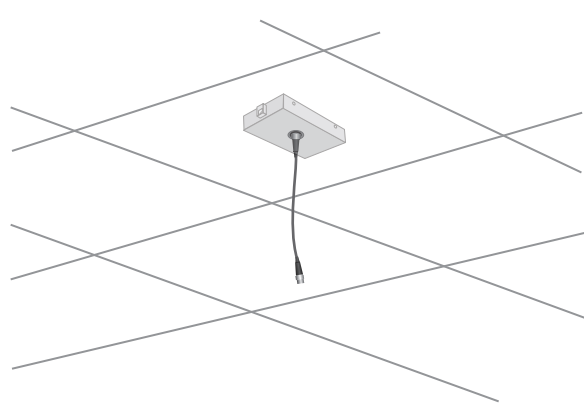
c



d



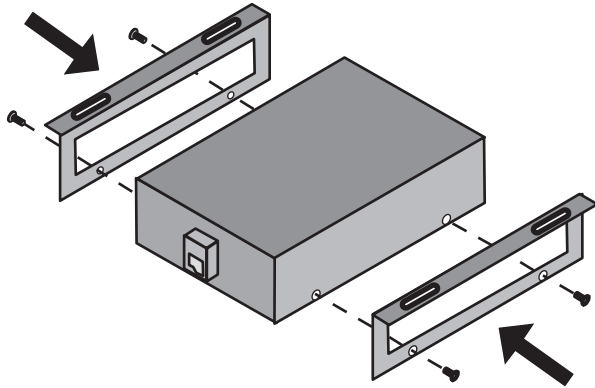
e



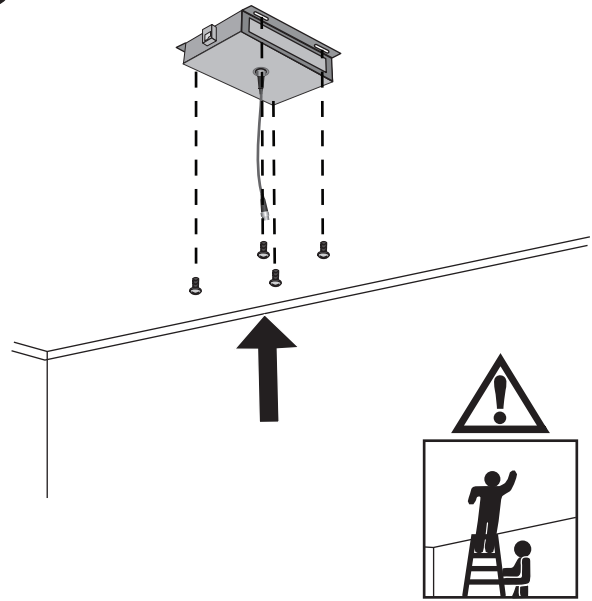
4

For ceilings that are not suspended

a



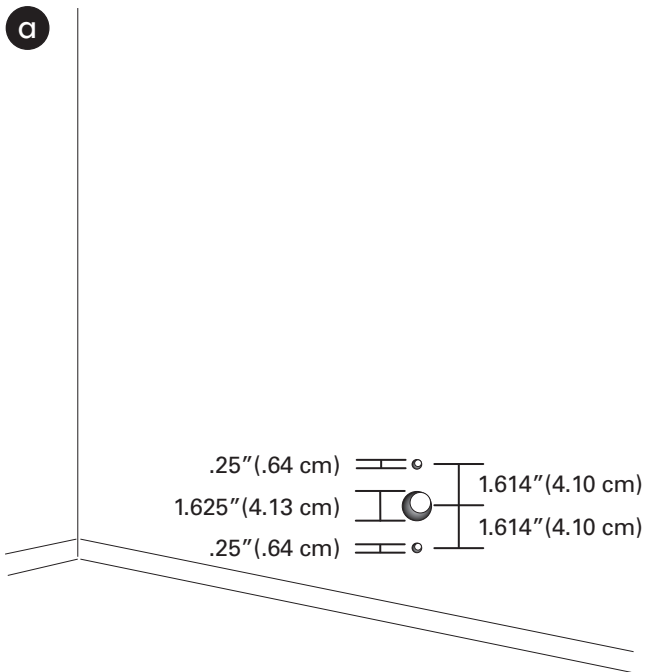
b



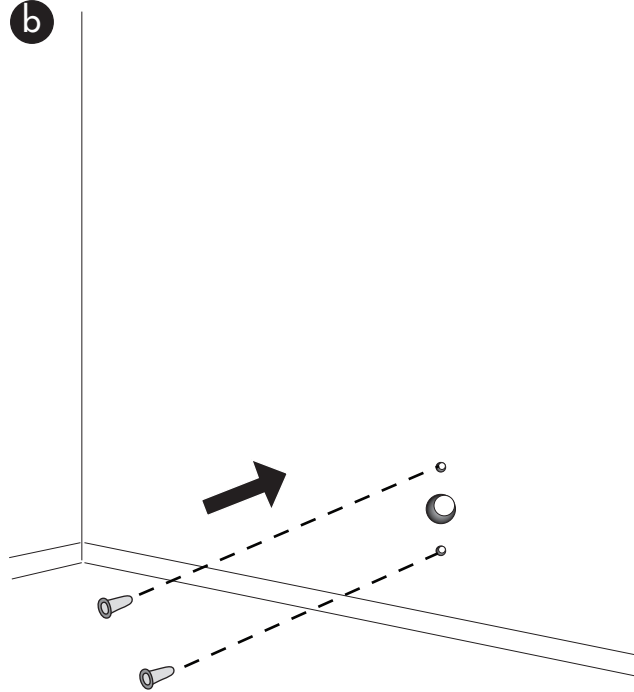
5

For suspended ceilings

a



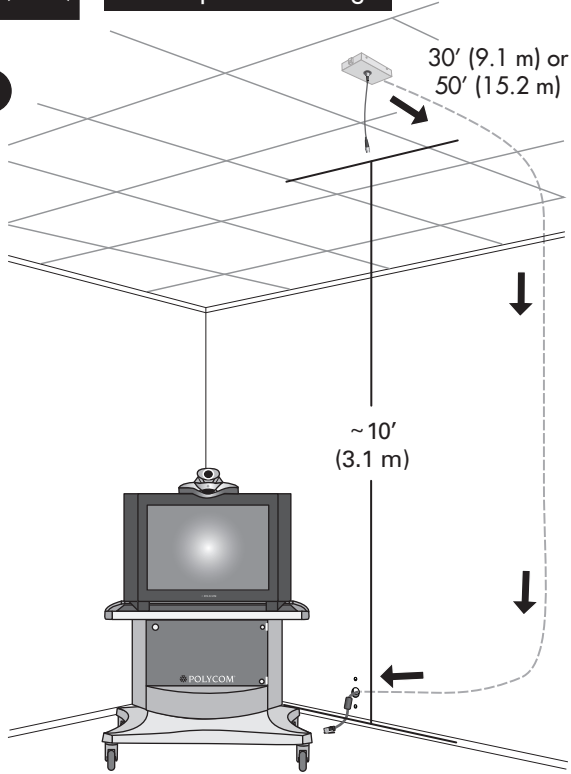
b



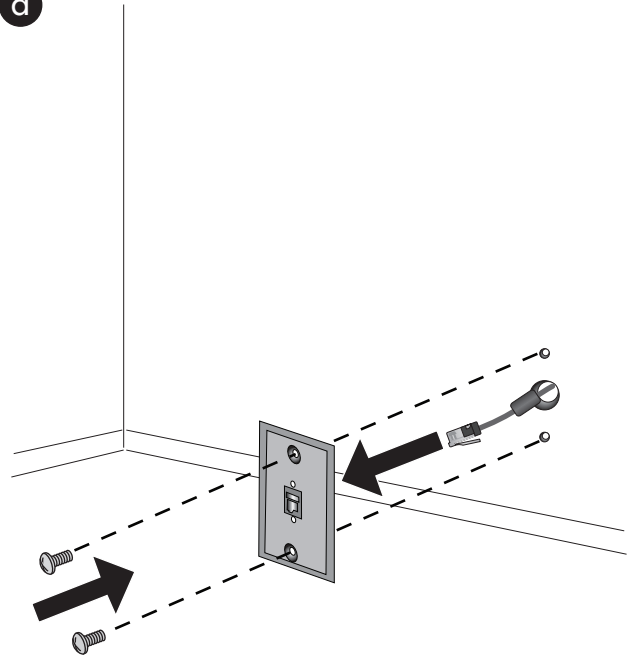
5 (cont.)

For suspended ceilings

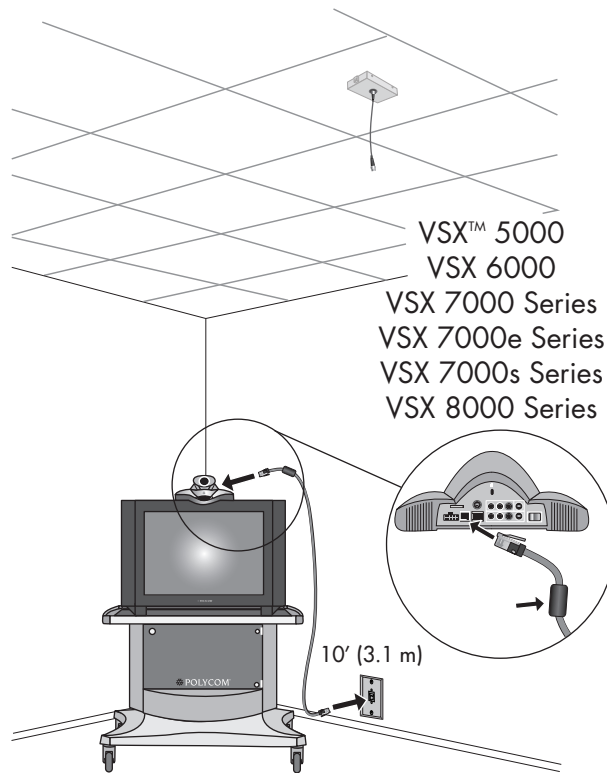
c



d



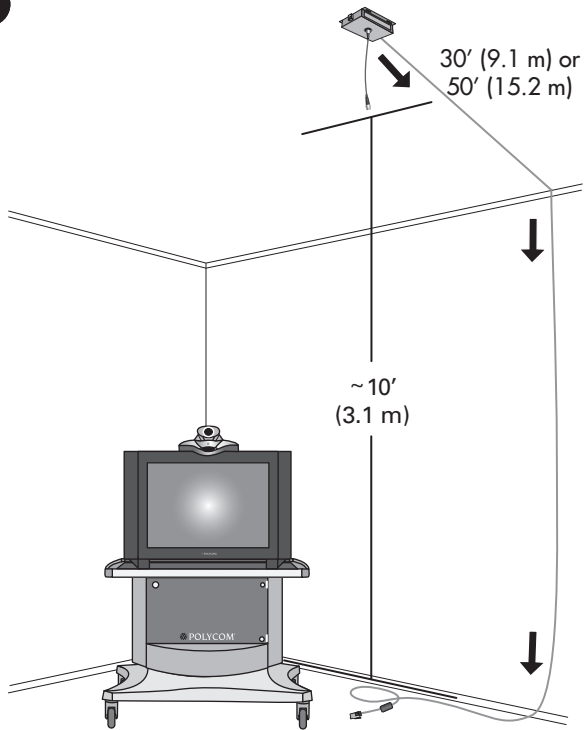
e



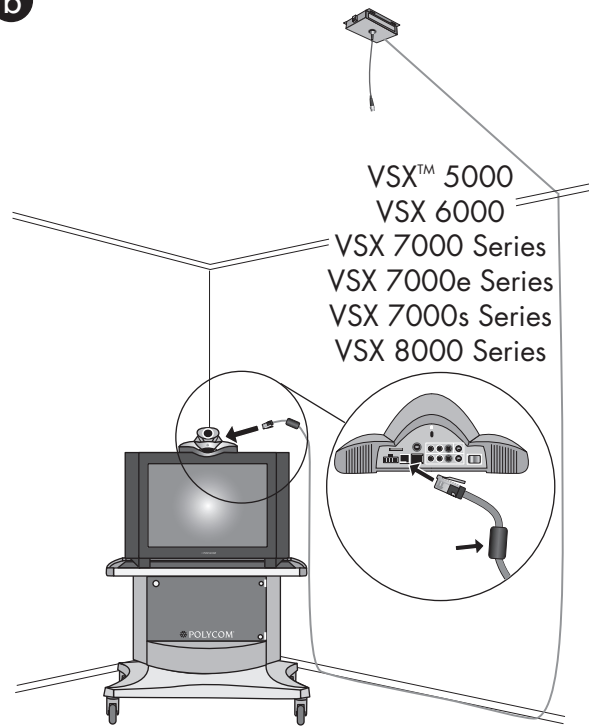
6

For ceilings that are not suspended

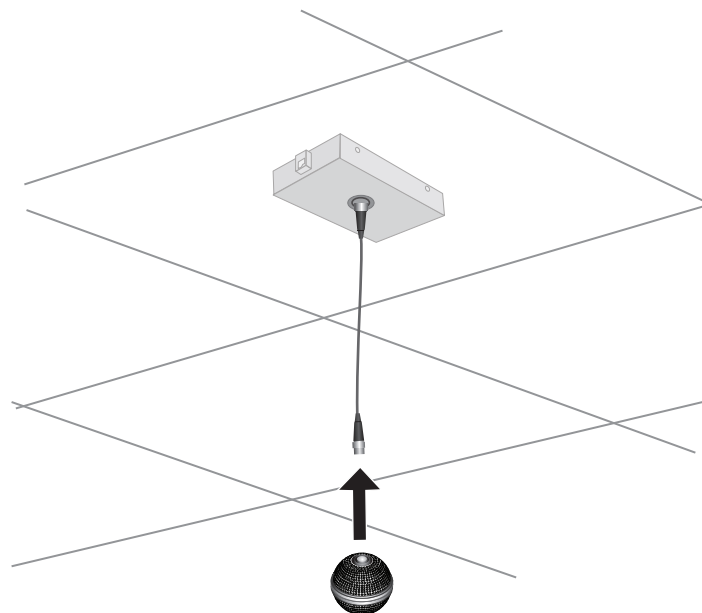
a



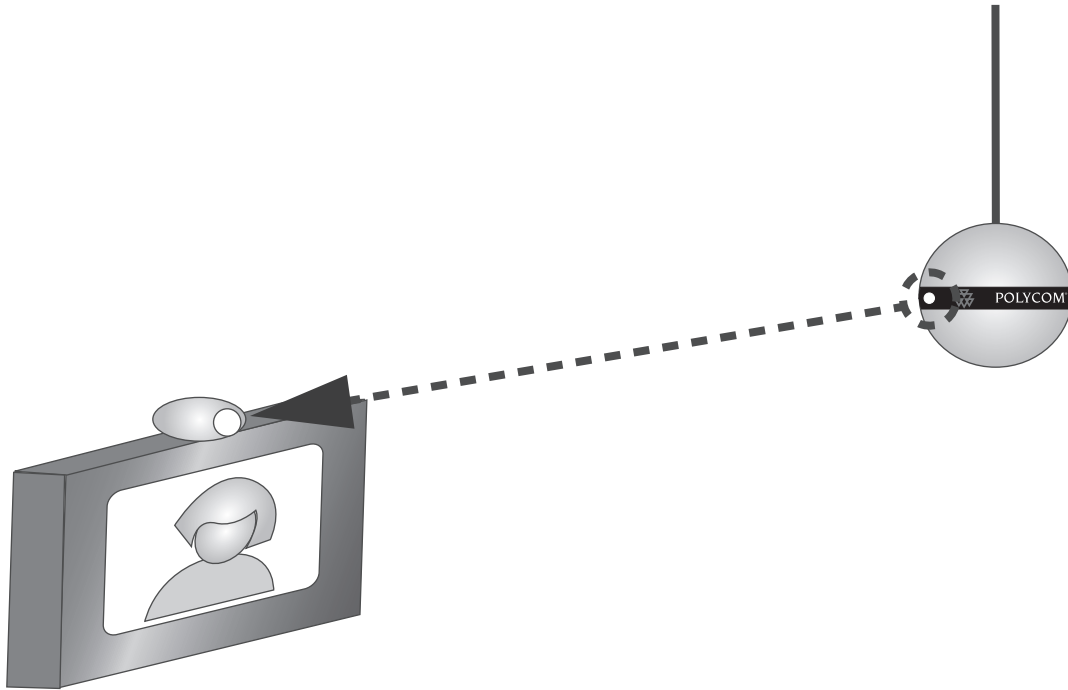
b



7



8



9

