

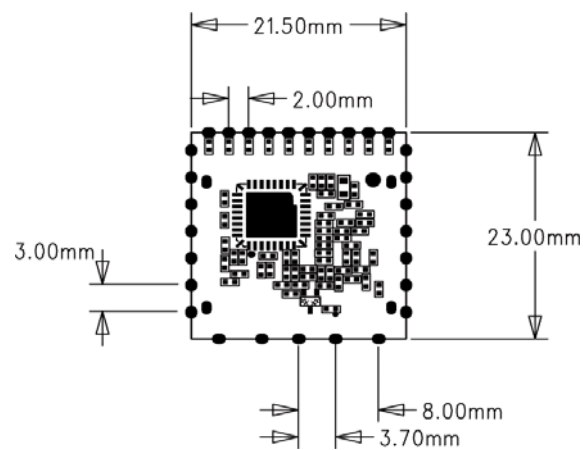
RF1G9V1 Module

User Manual

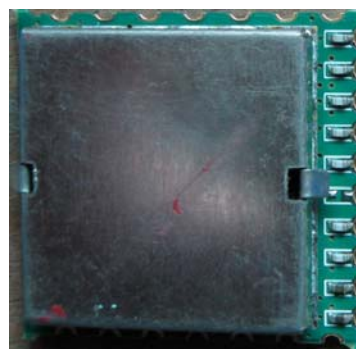
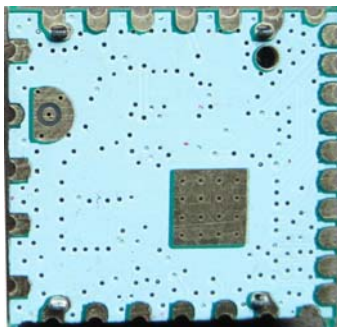
Introduction

RF1G9V1 Module is a DECT (Digital Enhanced Cordless Telecommunications) compatibility products. To the quality of audio and to the safety offered from the digital technology, It's offers manifold and useful features including Full duplex system. The module be application to cordless phone, walkie talkie and other data communications.

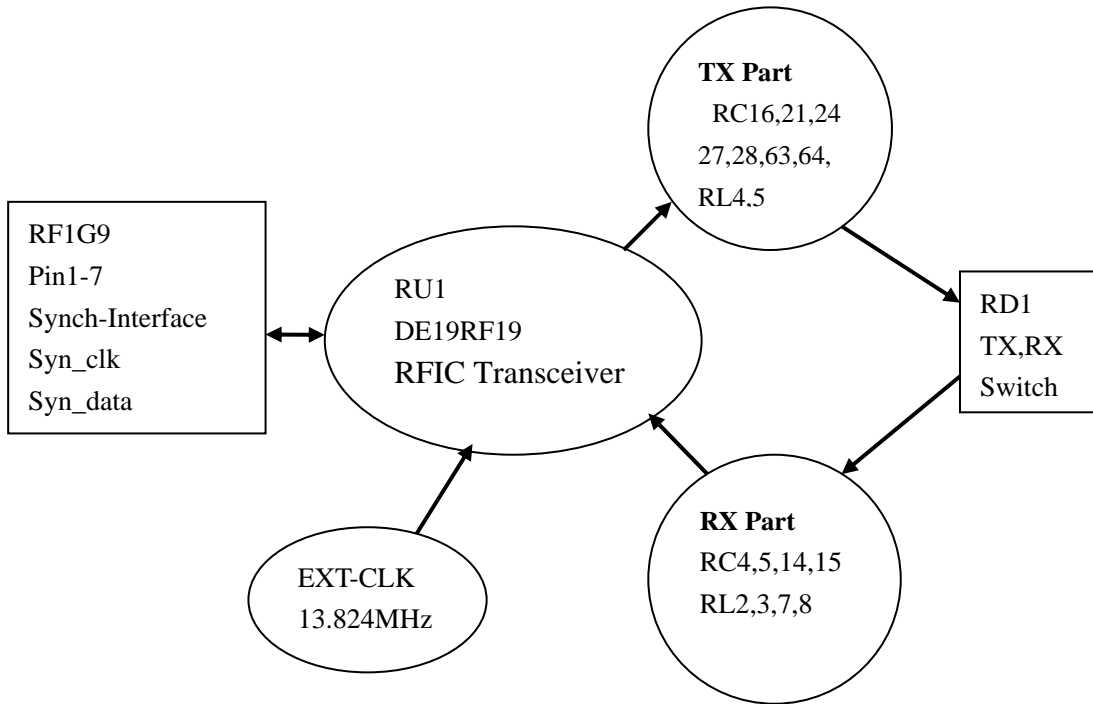
Dimension Drawing



Outside view

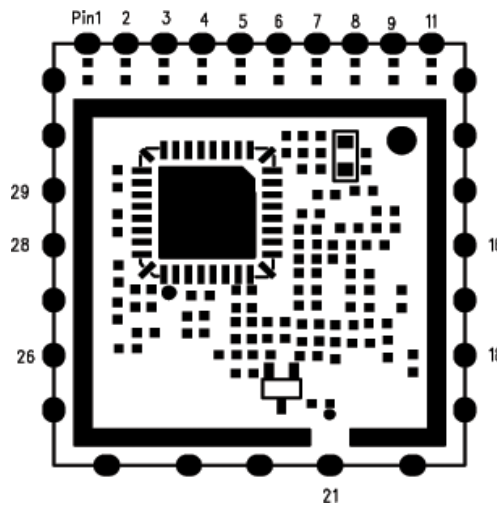


Block Diagram



Synch-Interface

- Pin1- syn_out
- Pin2- syn_en
- Pin3- syn_clk
- Pin4- syn_data
- Pin5- slot_ctrl
- Pin6- radio_en
- Pin7- trdata
- Pin8- vcc_dig
- Pin9- rstn
- Pin10,12-15,17,19-20,22-25,27,30-31.-GND
- Pin11- vccrf
- Pin16- vccPA
- Pin18- A_ctrl2
- Pin21- ANT
- Pin26- A_ctrl1
- Pin28- vccrf
- Pin29- bclk



Specification

Standard	DECT6.0 (Digital Enhanced Cordless Telecommunications)
Frequency	1920 ~1930MHz (USA)
Frequency	1880 ~1900MHz (EURO)
Channel Separation	1.728 MHz
Modulation type	GFSK
Transmission speed	1.152 Mbps (Baud rate)
Duplexing	Time Division Duplex (TDD)
Speech encoding	ADPCM / 32kbit/s
RF Accessing	Time Division Multiple Access (TDMA)
TX Power	Not more than 20dBm
Channel	5(USA), 10(EURO)
Coverage range	100m indoor; 400m in open space(PP to FP)
Power Supply	DC 3.3V/ 30-80mA
Normal condition of use	0 ° C to 40 ° C
Storage Temperature	-10 ° C to 60 ° C

LIMITED WARRANTY

This limited warranty only applies to the use of this device with a communications service for which it is designed. This device alone does not provide the customer with any communications service and requires a separate subscription to a communications service from a service provider. Altering service provider-specific settings may void the warranty. This limited warranty does not warrant that the device will be free of any limitations of voice quality or service caused by (1) the services provided by the customer's underlying communications service provider; or (2) interference from other radio frequencies or transmissions, static electricity, and other electronic devices.

FCC Caution:

Any Changes or modifications not expressly approved by the party responsible for compliance could void the user's authority to operate the equipment.

This device complies with part 15 of the FCC Rules. Operation is subject to the following two conditions: (1) This device may not cause harmful interference, and (2) this device must accept any interference received, including interference that may cause undesired operation.

This module is intended for OEM integrator. The OEM integrator is still responsible for the FCC compliance requirement of the end product, which integrates this module

The final end product must be labeled in a visible area with the following" Contains

FCC ID:B4HRF1900V1

The module supports the highest gain of antenna is 2.0dBi when install to the end product.

FCC Radiation Exposure Statement:

This equipment complies with FCC radiation exposure limits set forth for an uncontrolled environment .This equipment should be installed and operated with minimum distance 20cm between the radiator& your body. This transmitter must not be co-located or operating in conjunction with any other antenna or transmitter.

IC Warning:

This device complies with Industry Canada licence-exempt RSS standard(s). Operation is subject to the following two conditions:

- (1) this device may not cause interference, and
- (2) this device must accept any interference, including interference that may cause undesired operation of the device.

Le présent appareil est conforme aux CNR d'Industrie Canada applicables aux appareils radio exempts de licence. L'exploitation est autorisée aux deux conditions suivantes :

- (1) l'appareil n' doit pas produire de brouillage, et*
- (2) l'utilisateur de l'appareil doit accepter tout brouillage radioélectrique subi, même si le brouillage est susceptible d'en compromettre le fonctionnement.*

This equipment complies with IC radiation exposure limits set forth for an uncontrolled environment .This equipment should be installed and operated with minimum distance 20cm between the radiator& your body.

Le présent appareil est conforme

Après examen de ce matériel aux conformité ou aux limites d'intensité de champ RF,

les utilisateurs peuvent sur l'exposition aux radiofréquences et la conformité and compliance d'acquérir

les informations correspondantes. La distance minimale du corps à utiliser le dispositif est de 20cm.

À

This module is intended for OEM integrator. The OEM integrator is still responsible for the IC compliance requirement of the end product, which integrates this module

The final end product must be labeled in a visible area with the following” contains IC:3064A-RF1900V1.

The module supports the highest gain of antenna is 2.0dBi when install to the end product.

Assemble to main board

The RF module can put on the main board by SMT or hand soldering.

