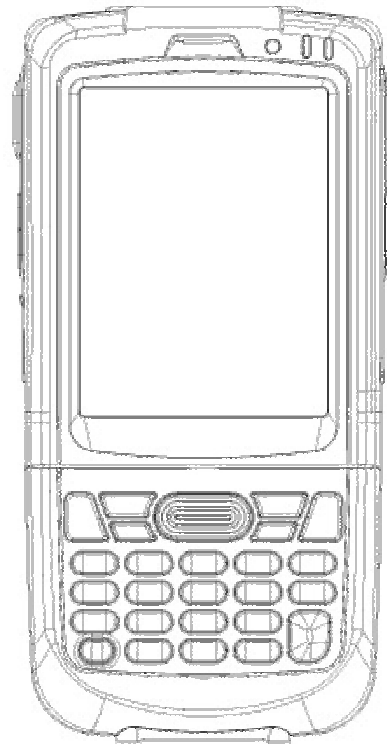


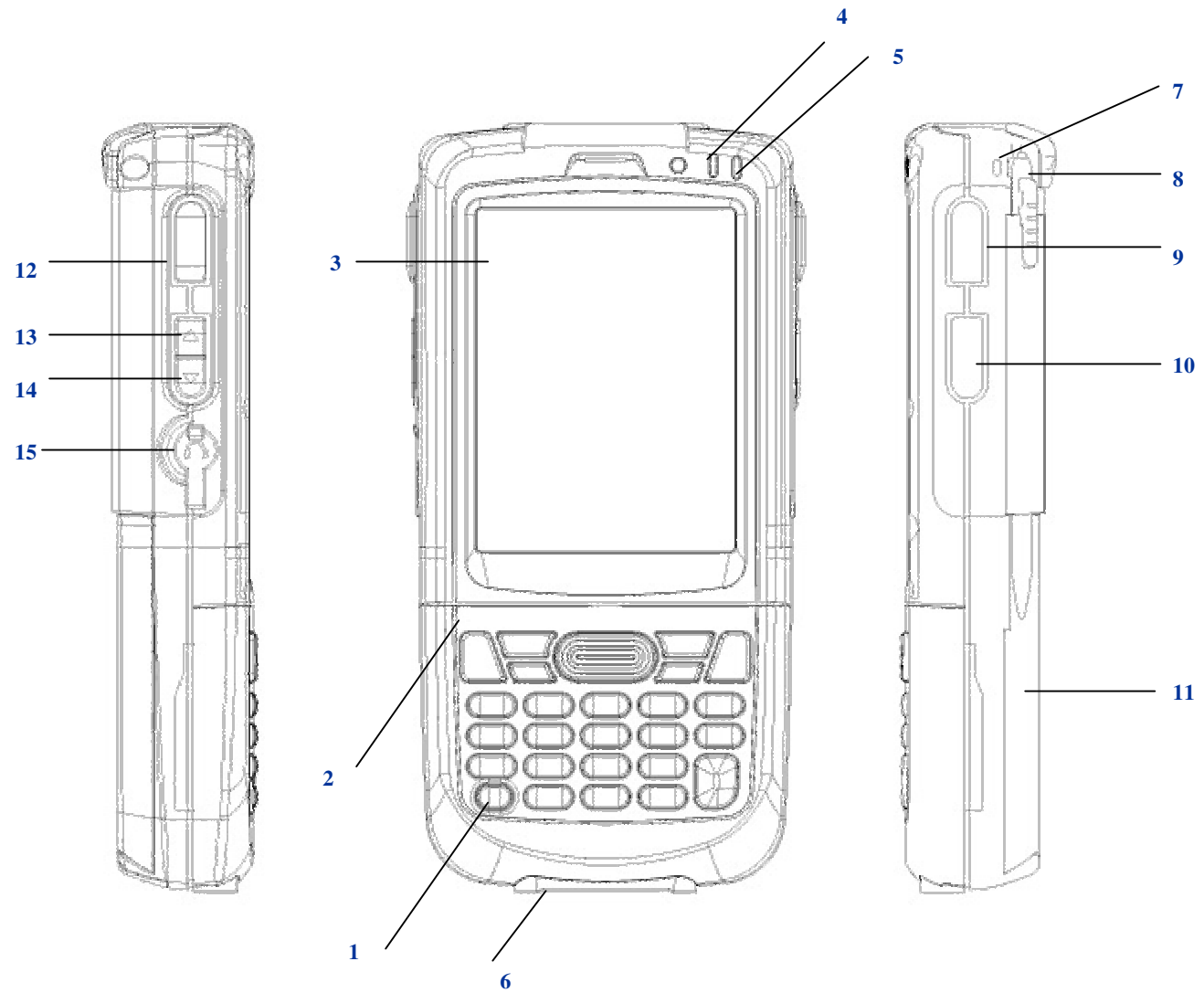
PT20 Series mobile computer



Quick Start Guide

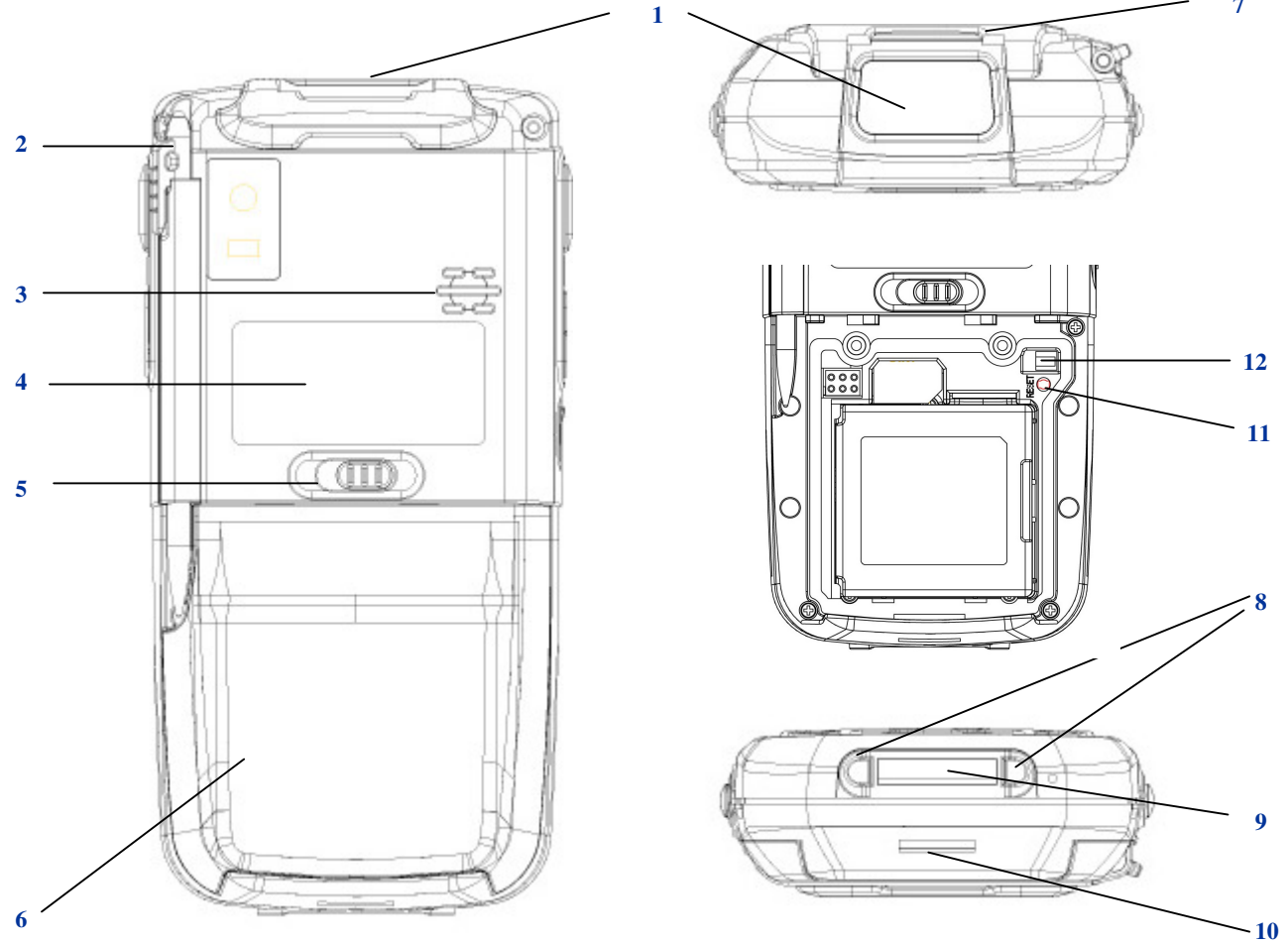
Features front and side views

1. Power button
2. Keypad
3. LCD display
4. Charging LED
5. Status LED
6. I/O connector
7. Lanyard hole
8. Stylus
9. Scan / action button
10. Action button
11. Battery cover
12. Scan / action button
13. Up button
14. Down button
15. Headset plug



Features rear, top and bottom views

1. Data capture window
2. Stylus
3. Speaker
4. Label recess
5. Battery cover latch
6. Battery cover
7. Handstrap clip
8. I/O connector lock guide pin
9. I/O Connector
10. Handstrap bar
11. Reset Key
12. Battery cover switch



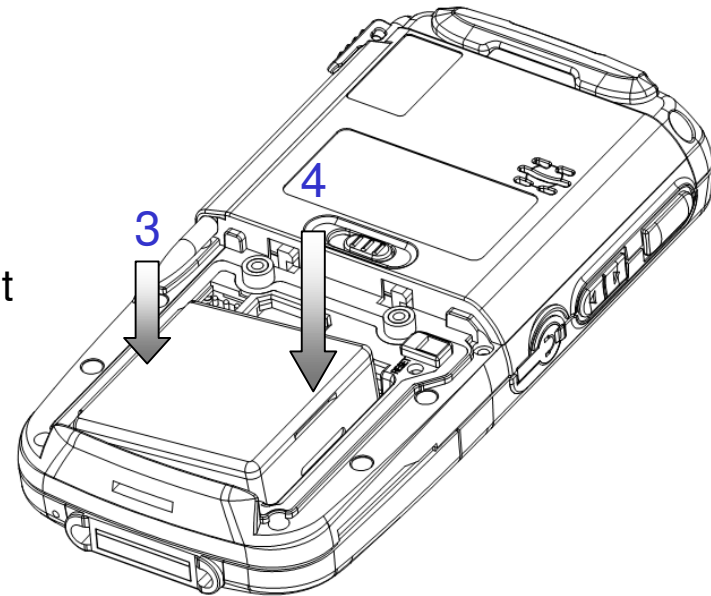
Getting started installing card and battery

Installing MicroSD card

1. Remove battery if necessary
2. Insert MicroSD card into the card slot
3. Make sure the card connector (the golden contacts) should be at the front of insert

Installing battery

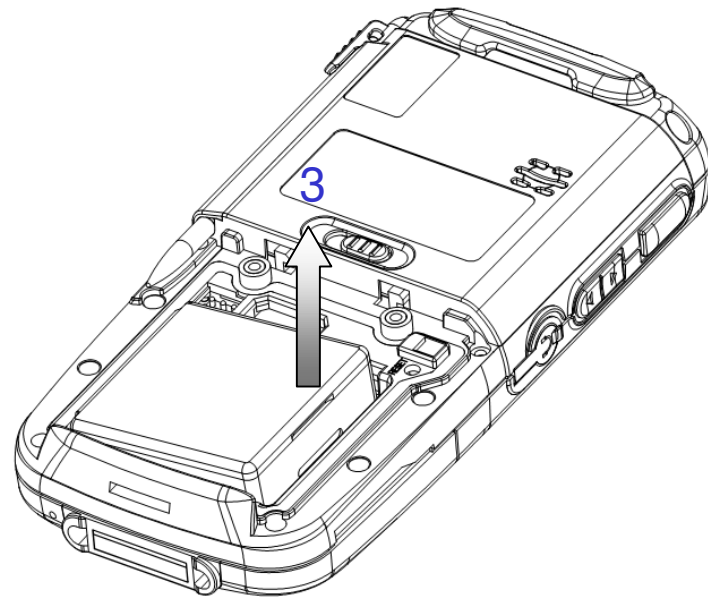
- If battery cover is installed on the device, slide the battery latch to the left.
- The battery cover will lift up slightly, grasp the battery cover and remove it
- Insert the battery, left side (with golden contacts) first, into the battery compartment
- Press the battery down until the battery fully rests on the bottom of battery compartment
- Put the battery cover back, tab first, and press down until the latch secure the battery cover



Getting started installing card and battery

Removing battery

1. Slide the battery latch to the left.
2. The battery cover will lift up slightly, grasp the battery cover and remove it
3. Remove the battery, right side first, from the battery compartment



Getting started

Installing handstrap

1. Separate the velcro of the handstrap.
2. Feed the loose end of the extended handstrap through the handstrap clip
3. Wrap the handstrap around the clip and fasten together to close the strap

Calibrating screen

1. For turn on the device 1st time
2. Follow the instructions on the welcome utility screen
3. Tap 5 crosses as appeared on the screen to calibrate the touch screen

Getting started Enabling & disabling WiFi

Enabling WiFi

1. Tap Start Menu, then tap and hold the Settings
2. Select Network Connections
3. Tap and hold AR6K_SD1 icon, make sure it is Enable
4. Double click the Network icon on the status bar, pick the desired AP and setup as the wireless AP properties as usual

Disabling WiFi

1. Tap Start Menu, then tap and hold the Settings
2. Select Network Connections
3. Tap and hold AR6K_SD1 icon, make sure it is Disable

Getting started Enabling & disabling BT

Enabling Bluetooth

1. Tap Start Menu, then tap and hold the Settings
2. Select Control Panel
3. Double click Bluetooth Device Properties icon
4. Pick the Tools menu and then select Turn on Bluetooth item
5. Select Search Device and carry out bluetooth device operations as usual

Disabling Bluetooth

1. Tap Start Menu, then tap and hold the Settings
2. Select Control Panel
3. Double click Bluetooth Device Properties icon
4. Pick the Tools menu and then select Turn off Bluetooth item

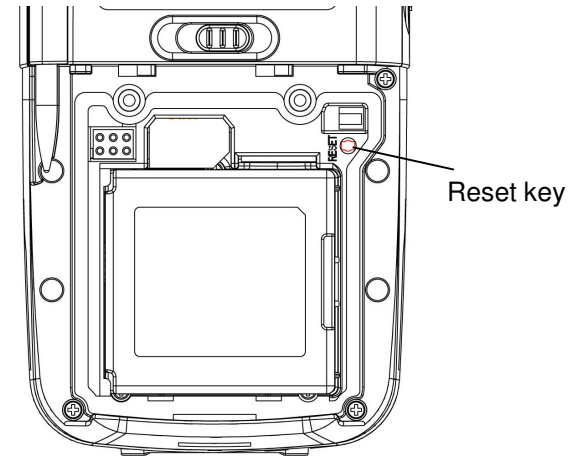
Getting started Soft and hard reset

Performing soft reset

1. Slide the battery latch to the left and grasp the battery cover and remove it
2. Use a stylus to press the reset key and release
3. The device is reset

Performing hard reset

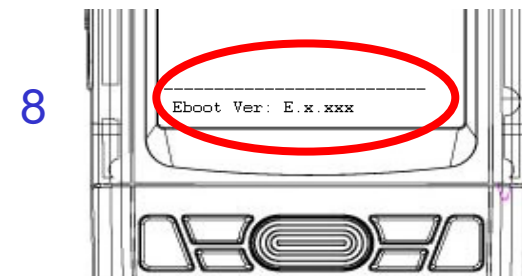
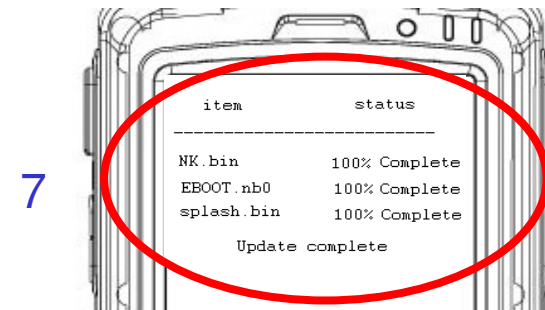
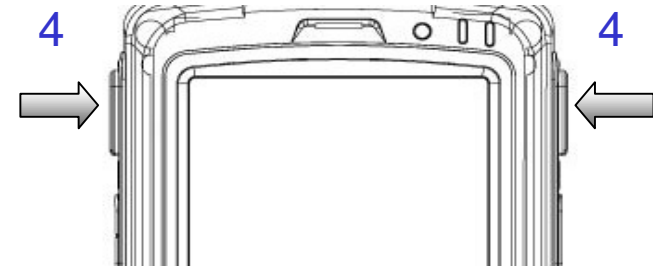
1. Slide the battery latch to the left and grasp the battery cover and remove it
2. Press “2” (or “8” if you want to format the NAND flash as well) on the numeric keypad
3. Keep pressing the key, use a stylus to press the reset key and release
4. When the green LED is flashing, release key “2” or “8”
5. Put back the battery cover and calibrate the screen



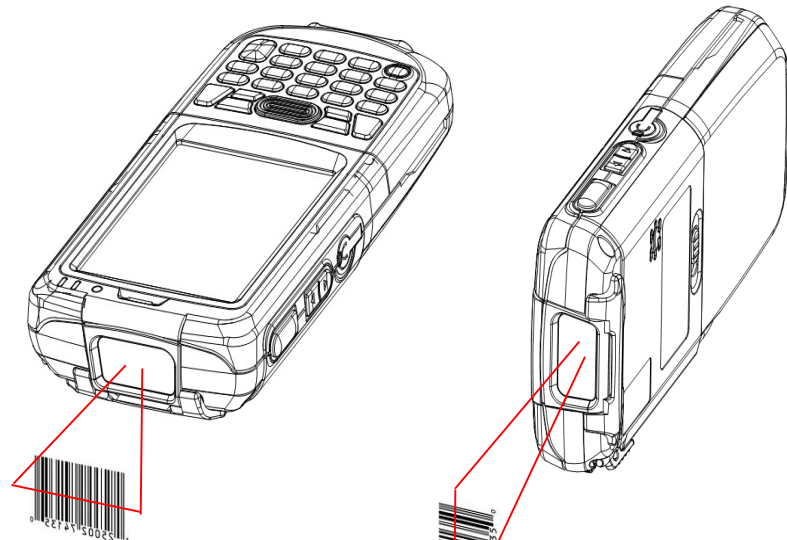
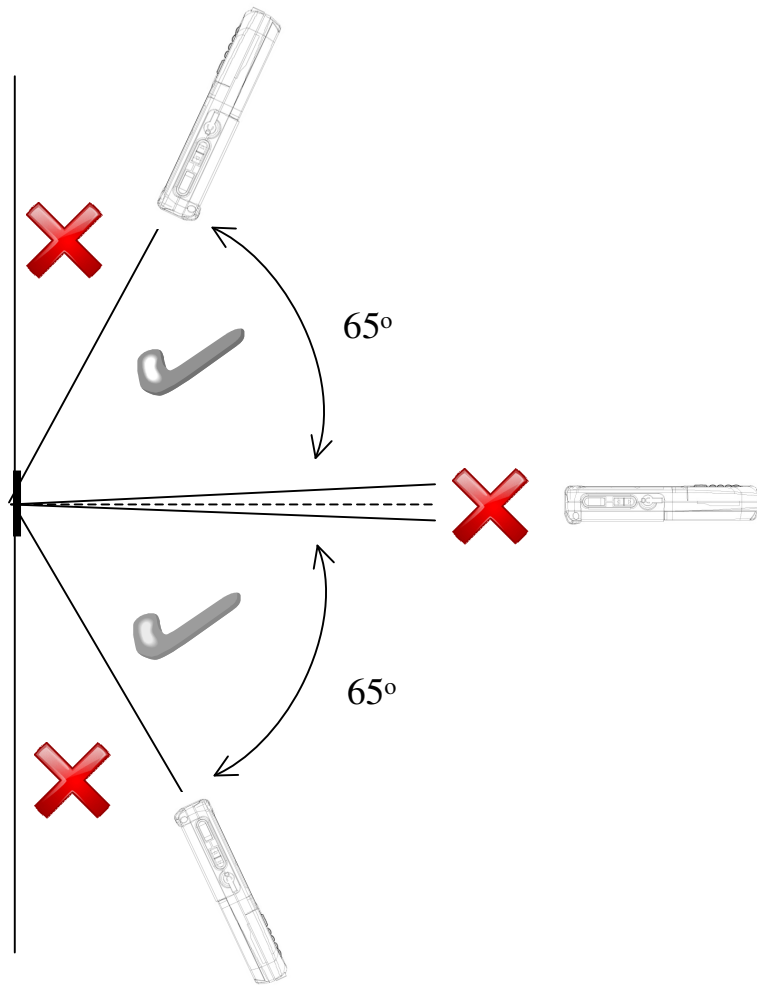
Getting started Refreshing ROM

Refreshing PT20 ROM

1. Copy NK.bin, EBOOT.nb0 and splash.bin (optional) to the root directory of the microSD card
2. Open the battery cover, remove the battery
3. Insert the microSD card
4. Press and hold the left and right side Scan / Action button
5. Install the battery to the battery compartment
6. Continue to press and hold the left and right side Scan / Action button until the Update Screen appears
7. Once NK.bin, EBOOT.nb0 and splash.bin (optional) have 100% complete updated. Remove the battery and microSD card from the device.
8. Insert the battery to the battery compartment again
9. Performing the hard reset with NFLASH format



Getting started Capturing data



Getting started Battery warning

Battery safety guidelines

1. Use manufacturer's original battery and charger only. Any incompatible battery or charger may result in a fire, explosion, or other hazard.
2. Do not disassemble or open, crush, bend or deform, puncture, or shred the battery
3. Do not short circuit a battery by allowing conductive materials to contact the battery terminals.
4. Charge the mobile device, the battery and charger temperatures must be between 0 °C and +40 °C
5. Do not immerse or expose the battery to water or other liquids.
6. Do not dispose of batteries in fire or place the battery into a microwave oven or dryer.
7. If battery leakage is found, avoid the liquid to come in contact with the skin or eyes. If contact has been made, rinse the affected area with water and seek medical advice.
8. If you suspect damage to your equipment or battery, contact the manufacturer for inspection.
9. Follow the local regulations to dispose or recycle the used re-chargeable batteries.

Statement of Compliance

CE Marking and European Economic Area (EEA)

Hereby, Portable Innovation Technology Ltd. declares that this product is in compliance with the essential requirements and other relevant provisions of Directive, 1999/5/EC.

Radio Frequency Interference Requirements-FCC

Note: This equipment has been tested and found to comply with the limits for a Class B digital device, pursuant to Part 15 of the FCC rules. These limits are designed to provide reasonable protection against harmful interference in a residential installation. This equipment generates, uses and can radiate radio frequency energy and, if not installed and used in accordance with the instructions, may cause harmful interference to radio communications. However there is no guarantee that interference will not occur in a particular installation. If this equipment does cause harmful interference to radio or television reception, which can be determined by turning the equipment off and on, the user is encouraged to try to correct the interference by one or more of the following measures:

- Reorient or relocate the receiving antenna
- Increase the separation between the equipment and receiver
- Connect the equipment into an outlet on a circuit different from that to which the receiver is connected
- Consult the dealer or an experienced radio/TV technician for help.

Warning

Changes or modifications to this unit not expressly approved by the party responsible for compliance could void the user authority to operate the equipment.

This device complies with Part 15 of the FCC Rules. Operation is subject to the following two conditions: (1) this device may not cause harmful interference, and (2) this device must accept any interference received, including interference that may cause undesired operation.