

# pottery barn kids

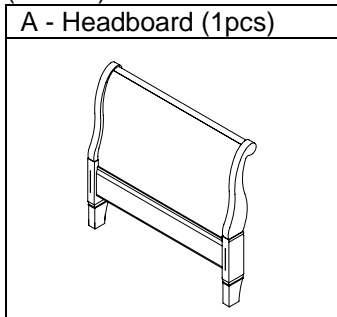
## LARKIN BED QUEEN

**PRE-ASSEMBLY:**

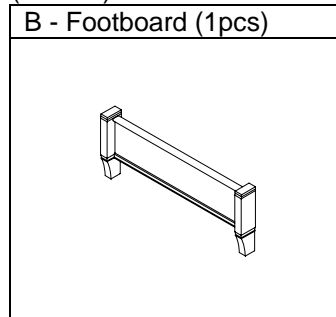
- For safety and ease, assembly by two adults is recommended.
- Remove all parts and hardware from the box and lay out on a clean, carpeted, or scratch-free work surface. Use care as some parts or hardware may have sharp points or edges. Do not dispose of any contents until assembly is completed to avoid accidentally discarding small parts or hardware.
- Use the parts and hardware lists to identify and separate each of the pieces included.
- Read all instructions before beginning assembly. The illustrations provided allow for easier assembly when used in conjunction with the assembly instructions.
- Note: Do not fully tighten all bolts until all parts are in place. Failure to follow these instructions may cause the bolts to misalign during assembly.
- The use of power tools for assembly is not recommended. Power tools can damage hardware or split wood.

**PARTS INCLUDED:**

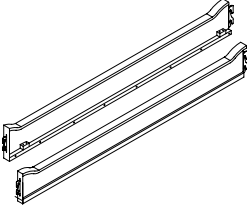
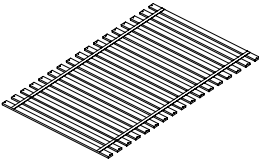
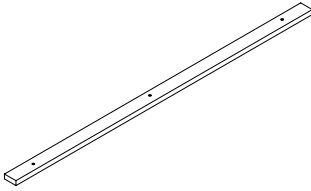

(Box #1)



(Box #2)



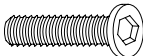


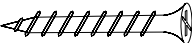


(Box #3)

C - Side Rail (2pcs)	D - Slat Roll (1pcs)	E - Center Support Slat (1 pcs)	F-Center Support Leg (3 pcs)
			

**HARDWARE INCLUDED:**

(Box #1)

(G) Flat Washer (3 pcs)	(H) Lock Washer (3 pcs)	(I) Allen Bolt (3 pcs) M6 x 45 mm	(J) - Allen Key (1pcs)
			
K - Short Wood Screw 4 x 15 mm (2 pcs)	L - Long Wood Screw 4 x 30 mm (51 pcs)		
			

**TOOLS REQUIRED:**

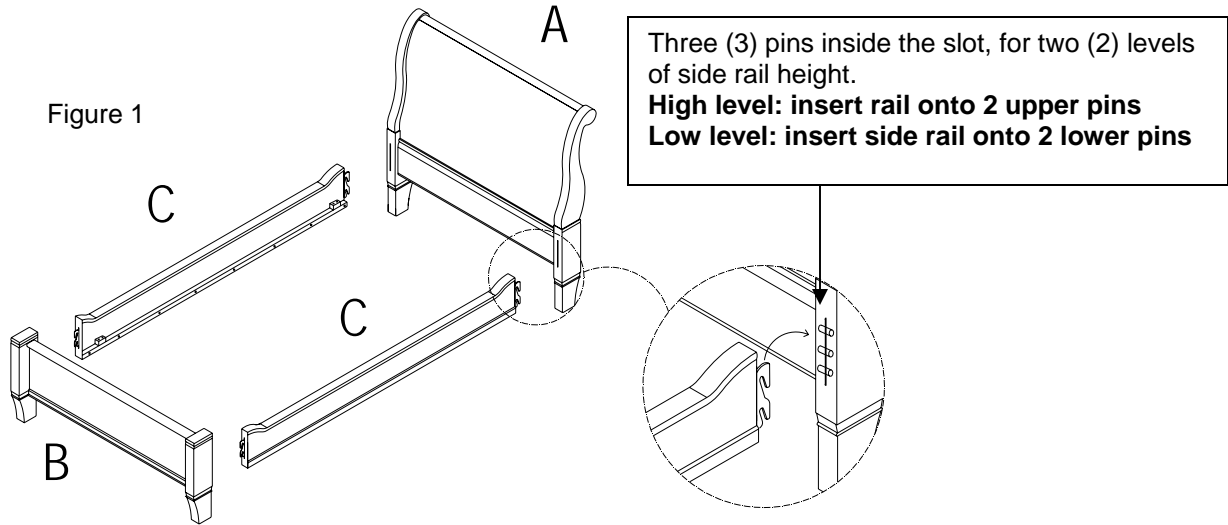
Phillips Head Screwdriver (Not included)

ASSEMBLY INSTRUCTIONS:

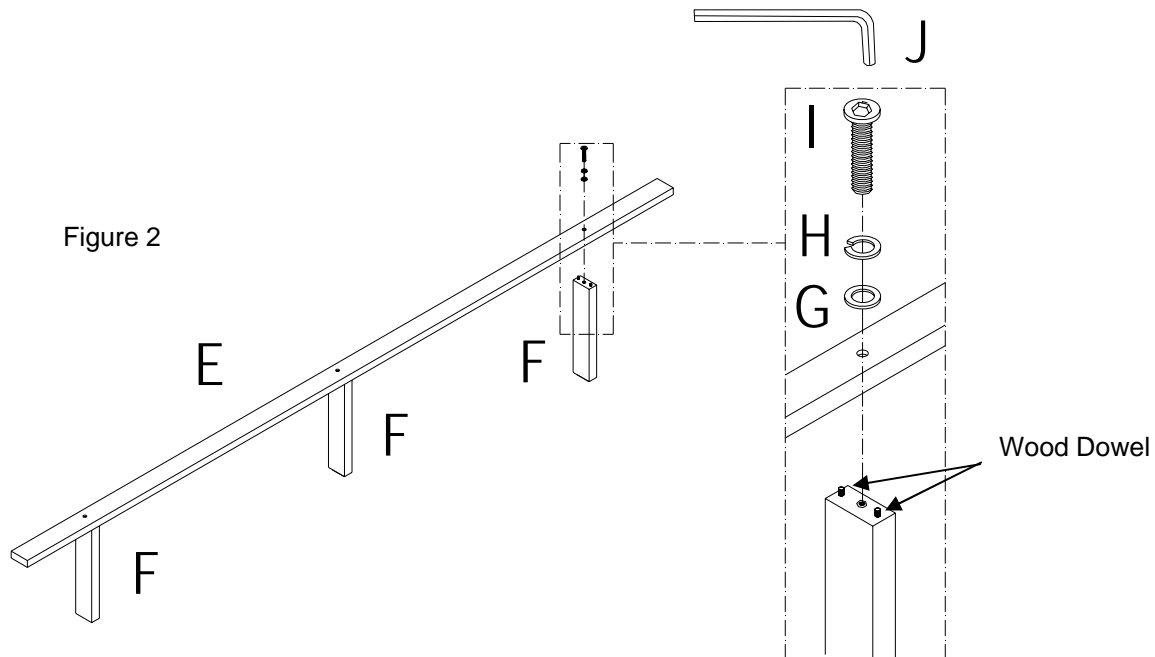
1. Attach the Side Rails (C) to the Headboard (A) and Footboard (B) by inserting the hooked ends into the corresponding slots, as shown in Figure 1. Ensure that the connections are secure.

**NOTE:** Side Rails (C) are adjustable to two heights:

- Use the higher setting if not using a box spring mattress and/of if a trundle will be used with the bed.
- Use the lower setting if using a mattress & box spring. We recommend a box spring if you want to use a bed skirt/box spring cover or add height to the bed.
- Our beds *do not* require a box spring at either setting



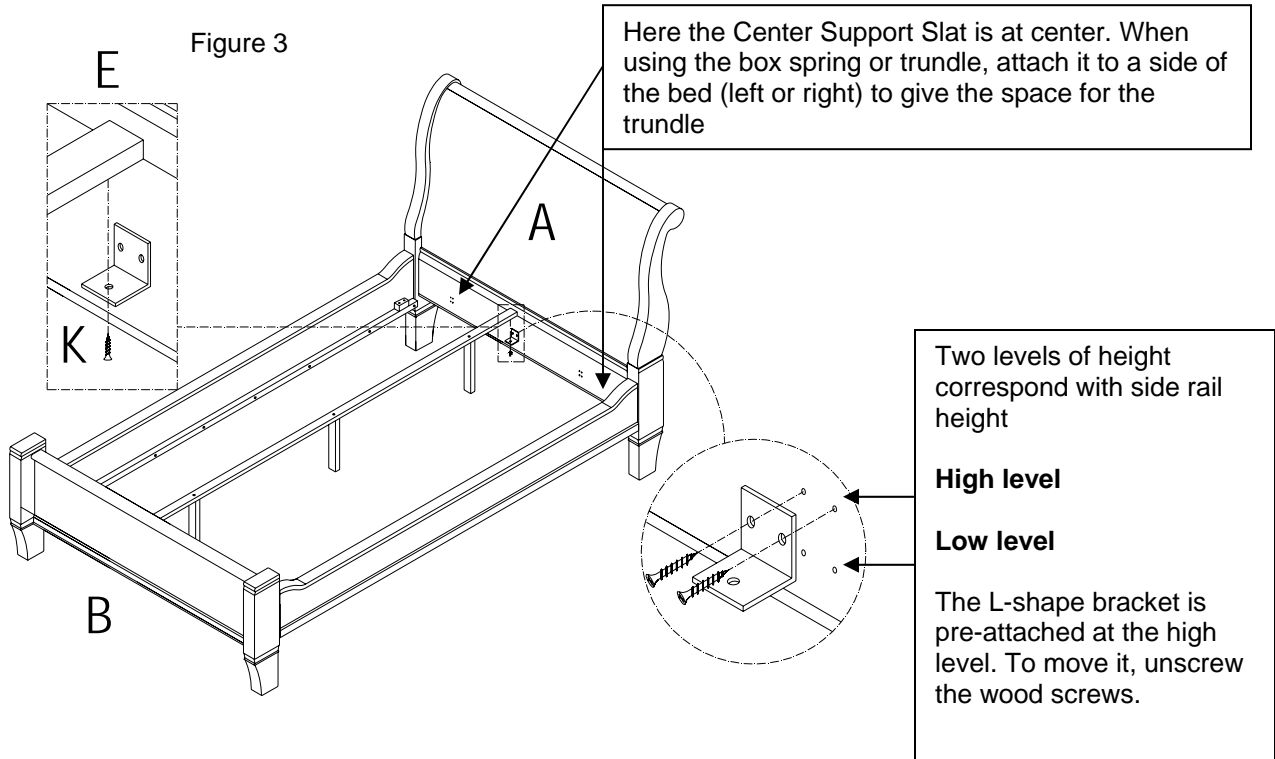
2. Attach (3) Center Support Legs (F) to Center Support Slat (E) by inserting the wood dowels on the leg into pre-drilled holes at bottom of center slat then secure with Flat Washer (G), Lock Washer (H) and Allen Bolt (I) using the Allen Key (J) as shown in Figure 2.



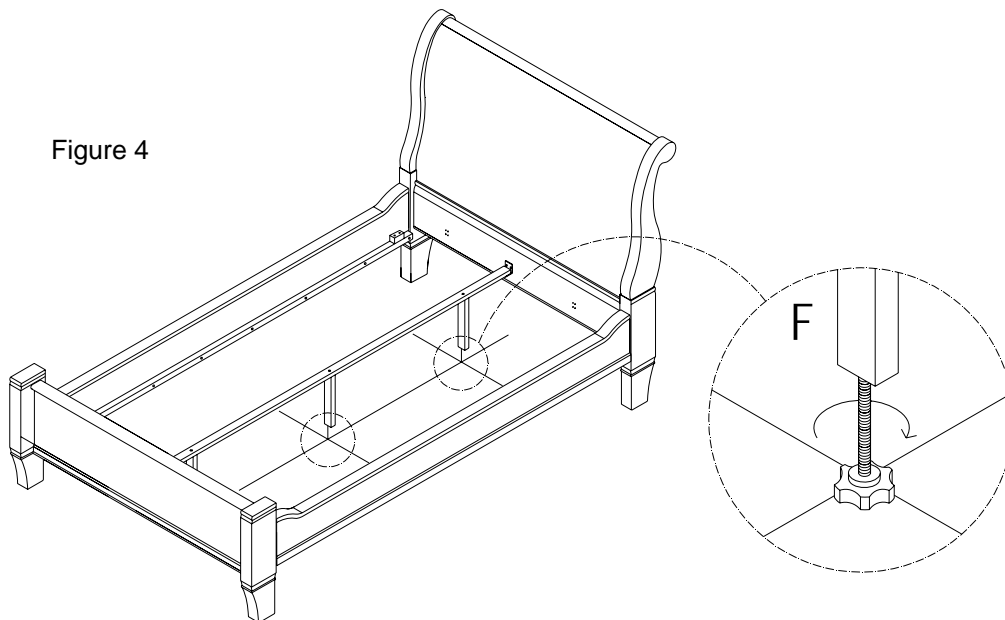
3. Place the Center Support Slat with Legs assembled (E & F) on the two L-shape metal brackets, which are pre-attached to the Headboard (A) and Footboard (B). Secure using the Short Wood Screws (K) from below. Figure 3

**NOTE:**

- There are also two levels of slat height correspond with side rail height. Ensure the slat is attached to headboard and footboard at the same height as the side rail.
- When using the trundle, attached the Center Support Slat (E) to headboard and footboard at the left side or right side to allow the trundle to roll out from underneath the bed.



4. If the Center Support Slat is attached at high level. Adjust the leveler under each Center Support Leg (F) until the leveler touch the floor. See Figure 4.



5. Lay Slat Roll (D) in place onto the inner edges of the Side Rails (C). Attach Slats Roll (D) by inserting the Long Wood Screws (L) through the pre-drilled end holes and tightening with Phillips Head Screwdriver (not included), as shown in Figure 5.

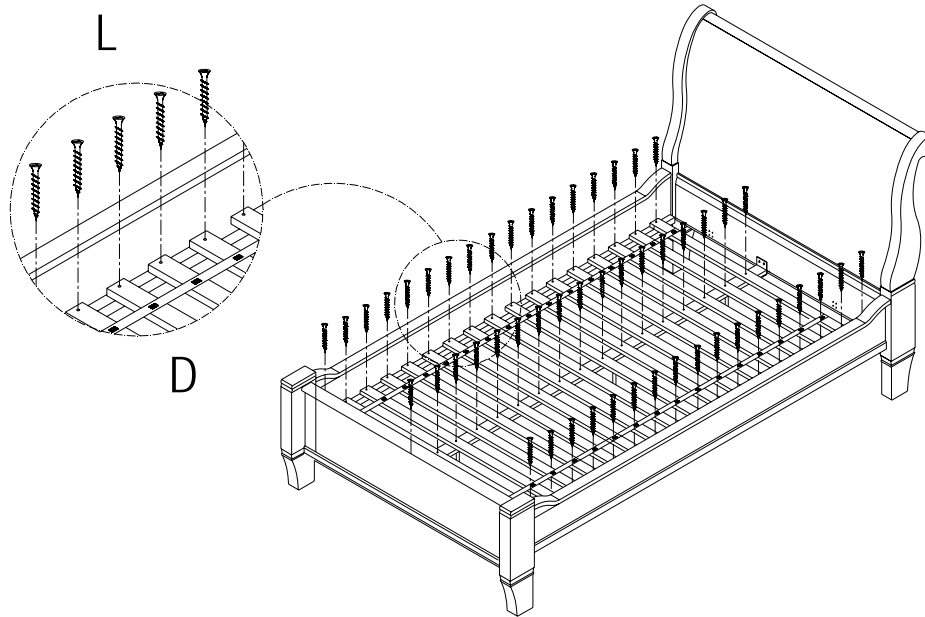


Figure 5

CARE INSTRUCTIONS:

- Dust often using a clean, soft, dry lint-free cloth.
- Blot spills immediately, and wipe with a clean, damp, cloth.
- We do not recommend the use of chemical cleansers, abrasives or furniture polish.

Thank you for your purchase  
stores | catalog | [www.potterybarnkids.com](http://www.potterybarnkids.com)  
USA 1.800.290.8181