

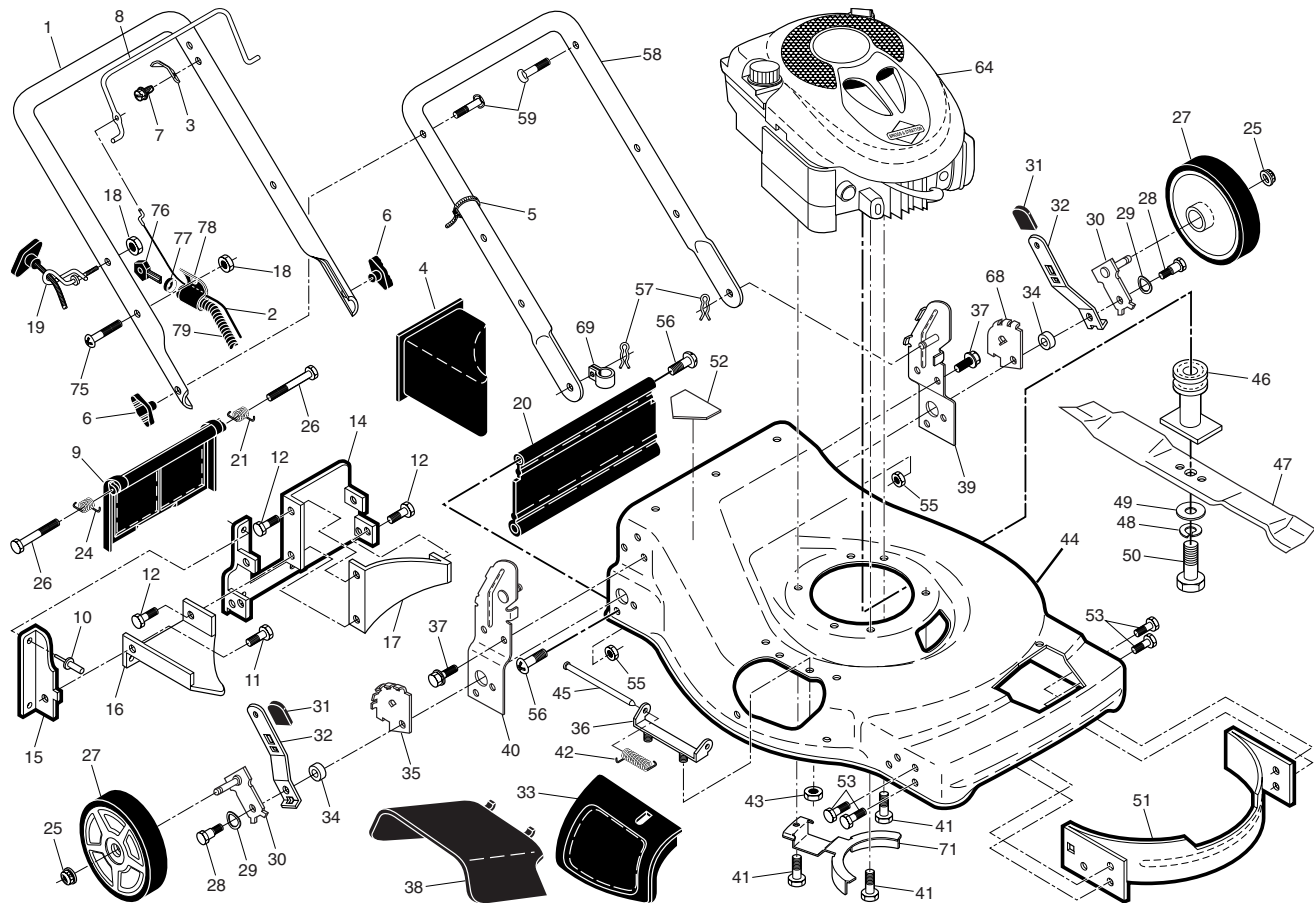
**REPAIR PARTS MANUAL**  
**MODEL NO. XT625Y22RKP**  
**(MFG. ID. NO. 96142006900)**  
**Rotary Lawn Mower**

For Parts and Service, contact our authorized distributor: call 1-800-849-1297  
For Technical Assistance: call 1-800-829-5886

**Poulan PRO<sup>®</sup>**  
**XT**

# ROTARY LAWN MOWER - - MODEL NUMBER XT625Y22RKP (MFG. ID. NO. 96142006900)

2



# ROTARY LAWN MOWER - - MODEL NUMBER **XT625Y22RKP** (MFG. ID. NO. 96142006900)

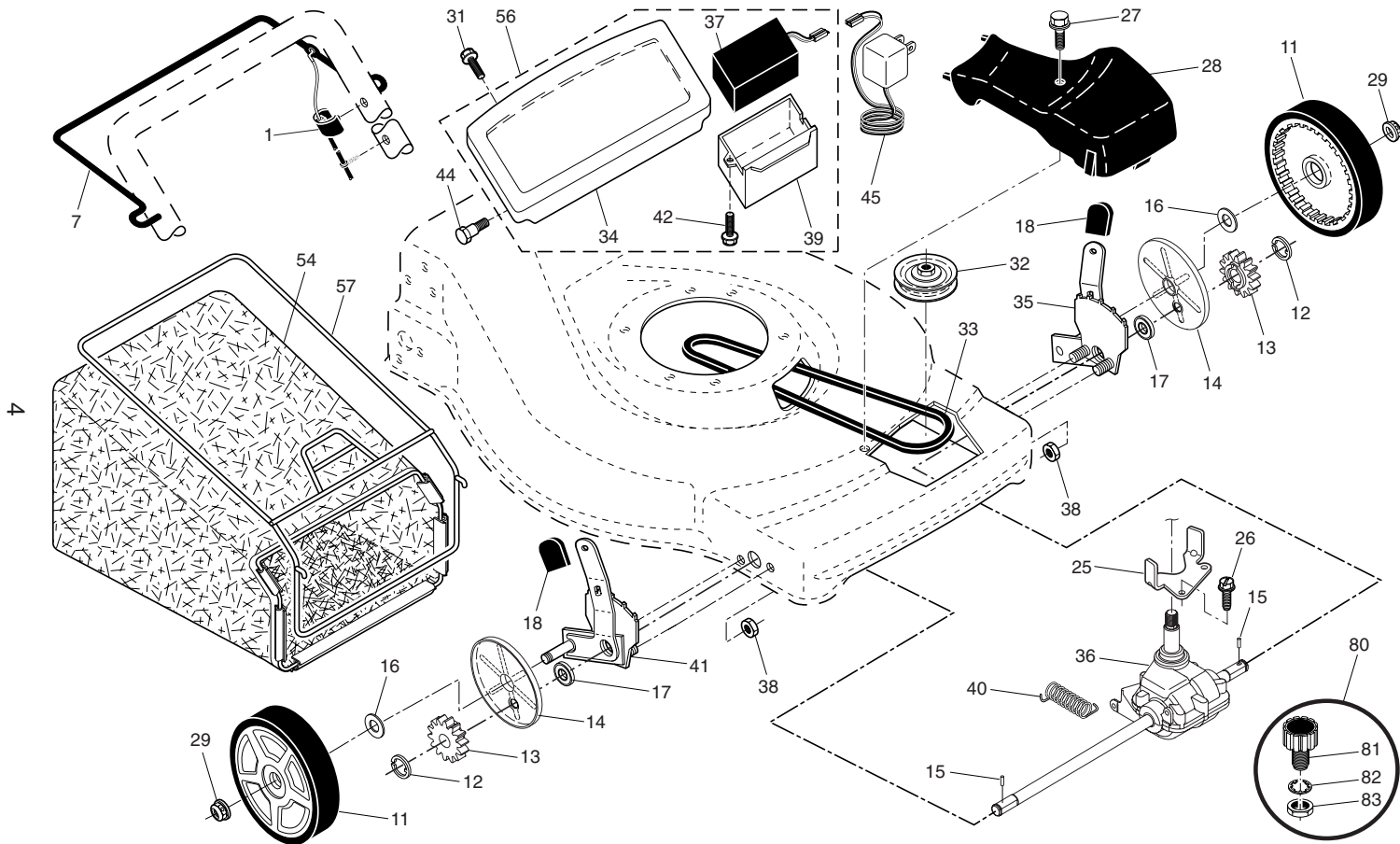
KEY NO.	PART NO.	DESCRIPTION	KEY NO.	PART NO.	DESCRIPTION
1	407816	Drive Control Assembly (Includes Cable)	35	424201	Kit, Wheel Adjuster, LH (Includes Knob and Bearing)
7	194185X428	Bar, Drive Control	36	404834	Gear Case Assembly, Complete
11	193912X427	Wheel & Tire Assembly, Front	37	189589	Battery
12	12000058	E-Ring	38	73800400	Locknut 1/4-20
13	403849	Pinion	39	186237	Battery Box
14	189403	Dust Cover	40	406558	Spring
15	404845	Pawl, Drive	41	424200	Kit, Wheel Adjuster, RH (Includes Knob and Bearing)
16	67725	Washer, Flat 3/8	42	17411308	Screw, Battery Box
17	191039	Bearing, Wheel Adjuster	44	175551	Screw, Trimplate
18	701037	Selector Knob	45	190097	Charger, Battery
26	163409	Screw, Hi-Lo Thread	54	412357	Grassbag Assembly
27	175262	Screw, Pan Head, Self-Tapping #10-24 x 2-3/4	56	191252	Trimplate, Battery Box and Battery Assembly
28	194407X428	Drive Cover	57	411952	Frame, Grassbag
29	409148	Locknut, Hex	80	421114	Water Washout Assembly
31	141841	Screw, Trimplate	81	419735	Fitting, Hose, Water Washout
32	194018	Pulley, Drive	82	415585	Washer, Lock, Internal Tooth
33	196857	V-Belt	83	415586	Locknut, Hex, with O-Ring
34	411190	Trimplate			

5

**NOTE:** All component dimensions given in U.S. inches. 1 inch = 25.4 mm.

**IMPORTANT:** Use only Original Equipment Manufacturer (O.E.M.) replacement parts. Failure to do so could be hazardous, damage your lawn mower and void your warranty.

# ROTARY LAWN MOWER - - MODEL NUMBER XT625Y22RKP (MFG. ID. NO. 96142006900)



# ROTARY LAWN MOWER - - MODEL NUMBER **XT625Y22RKP** (MFG. ID. NO. 96142006900)

KEY NO.	PART NO.	DESCRIPTION	KEY NO.	PART NO.	DESCRIPTION	KEY NO.	PART NO.	DESCRIPTION
1	427661	Upper Handle Assembly (Includes Foam Grip)	28	174719	Bolt, Shoulder 3/8-16 x 1	51	170031	Kit, Front Baffle (Includes Key Number 53)
2	401994	Cable, Operator Presence	29	401630	Washer, Curved, Cylindrical	52	404763	Danger Decal
3	850733X004	Bracket, Upstop	30	401179X004	Axle Arm Assembly	53	17600406	Screw, Serrated, TT 1/4-20
4	166649	Mulcher Plug	31	701037	Selector Knob	55	73930600	Locknut, Hex 3/8-16
5	66426	Wire Tie	32	401621X004	Selector Spring	56	88652	Hinge Screw 1/4-20 x 1-1/4
6	189713X428	Handle Knob	33	189917X428	Mulcher Door	57	51793	Hairpin Cotter
7	750634	Screw	34	401629	Spacer	58	400512X479	Lower Handle
8	427414X428	Control Bar	35	407493X005	Wheel Adjusting Bracket, RH	59	191574	Handle Bolt
9	401813X428	Rear Door Assembly	36	175735	Hinge Bracket Assembly	64	- - -	Engine, Briggs & Stratton, Model Number 122T05-4846- EA (For engine service and replacement parts, call Briggs & Stratton at 1-800-233-3723)
10	128415	Pop Rivet	37	17000512	Screw, Sems, Thread Cutting 5/16-18 x 3/4	68	407492X005	Wheel Adjusting Bracket, LH
11	150050	Screw, Self-Tapping #10-24 x 5/8	38	402574X428	Discharge Deflector	69	197991	Clip, Cable
12	17060410	Screw, Hex Hex Head, Sems 1/4-20 x 1/2	39	195916X479	Handle Bracket Assembly, LH	70	186362	Grip, Foam
14	195622X479	Back Plate	40	195917X479	Handle Bracket Assembly, RH	71	420474X004	Belt Keeper
15	410545X479	Side Baffle	41	150406	Screw, Hex Head, Threaded, Rolled 3/8-16 x 1-1/8	75	199687	Screw
16	176655X479	Discharge Baffle	42	193000	Spring, Torsion	76	180331	Key
17	140661X479	Rear Baffle	43	73800400	Nut, Hex, Nylock	77	194848	Nut, Cap
18	132004	Keps Locknut 1/4-20	44	425878	Kit, Mower Housing (Includes Key Numbers 14, 15 and 51)	78	189686	Key Start Switch
19	194788	Rope Guide	45	175650	Rod, Hinge	79	409567	Wiring Harness
20	413160	Rear Skirt	46	194037	Blade Adapter / Pulley	--	404764	Warning Decal (not shown)
21	405421	Spring, Rear Door, LH	47	406713	Blade, 22"	--	193733	Operator's Manual, English
24	405423	Spring, Rear Door, RH	48	851074	Washer, Hardened	--	193736	Operator's Manual, French
25	409148	Nut, Hex, Flanged	49	850263	Washer, Helical	--	428072	Repair Parts Manual
26	184193	Bolt, Rear Door	50	851084	Screw, Machine, Hex Head 3/8-24 x 1-3/8 Grade 8			
27	193909X427	Wheel & Tire Assembly, Rear						

**NOTE:** All component dimensions given in U.S. inches. 1 inch = 25.4 mm.

**IMPORTANT:** Use only Original Equipment Manufacturer (O.E.M.) replacement parts. Failure to do so could be hazardous, damage your lawn mower and void your warranty.

## LIMITED WARRANTY

The Manufacturer warrants to the original consumer purchaser that this product as manufactured is free from defects in materials and workmanship. For a period of two (2) years from date of purchase by the original consumer purchaser, we will repair or replace, at our option, without charge for parts or labor incurred in replacing parts, any part which we find to be defective due to materials or workmanship. This Warranty is subject to the following limitations and exclusions.

1. This warranty does not apply to the engine, transaxle/transmission components, battery (except as noted below) or components parts thereof. Please refer to the applicable manufacturer's warranty on these items.
2. Transportation charges for the movement of any power equipment unit or attachment are the responsibility of the purchaser. Transportation charges for any parts submitted for replacement under this warranty must be paid by the purchaser unless such return is requested by the manufacturer.
3. Battery Warranty: On products equipped with a Battery, we will replace, without charge to you, any battery which we find to be defective in manufacture, during the first ninety (90) days of ownership. After ninety (90) days, we will exchange the Battery, charging you 1/12 of the price of a new Battery for each full month from the date of the original sale. Battery must be maintained in accordance with the instructions furnished.
4. The Warranty period for any products used for rental or commercial purposes is limited to 45 days from the date of original purchase.
5. This Warranty applies only to products which have been properly assembled, adjusted, operated, and maintained in accordance with the instructions furnished. This Warranty does not apply to any product which has been subjected to alteration, misuse, abuse, improper assembly or installation, delivery damage, or to normal wear of the product.
6. Exclusions: Excluded from this Warranty are belts, blades, blade adapters, normal wear, normal adjustments, standard hardware and normal maintenance.
7. In the event you have a claim under this Warranty, you must return the product to an authorized service dealer.

Should you have any unanswered questions concerning this Warranty, contact:

Poulan Pro  
Customer Service Department  
1030 Stevens Creek Road  
Augusta, GA 30907 USA

In Canada contact:  
Poulan Pro  
Customer Service Department  
5855 Terry Fox Way  
Mississauga, Ontario L5V 3E4

giving the model number, serial number and date of purchase of your product and the name and address of the authorized dealer from whom it was purchased.

**THIS WARRANTY DOES NOT APPLY TO INCIDENTAL OR CONSEQUENTIAL DAMAGES AND ANY IMPLIED WARRANTIES ARE LIMITED TO THE SAME TIME PERIODS STATED HEREIN FOR OUR EXPRESSED WARRANTIES.**

Some areas do not allow the limitation of consequential damages or limitations of how long an implied Warranty may last, so the above limitations or exclusions may not apply to you. This Warranty gives you specific legal rights, and you may have other rights which vary from locale to locale.

This is a limited Warranty within the meaning of that term as defined in the Magnuson-Moss Act of 1975.

# **SERVICE NOTES**

**Poulan PRO**®  
***XT***