

Overview



Keys	Introductions
①	Customizable shortcut key
②	Torch
③	Receiver
④	From left to right: front camera, light sensor, distance sensor
⑤	Screen
⑥	Menu key、 Home key
⑦	Torch shortcut key
⑧	Answer key
⑨	Navigation
⑩	SOS
⑪	Back
⑫	Delete key
⑬	Power key 、 Hang up key
⑭	Numeric key
⑮	OK
⑯	USB port
⑰	Volume up and down key
⑱	Desk top charger port
⑲	flashlight
⑳	battery cover screw
㉑	speaker
㉒	lanyard hole

Note:

1. SOS is used for “one-button alarm” function
2. You can long press * key to unlock the screen

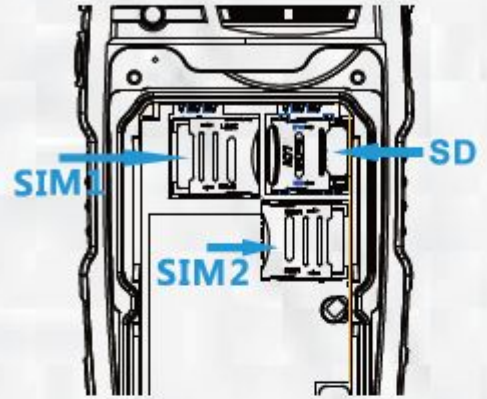
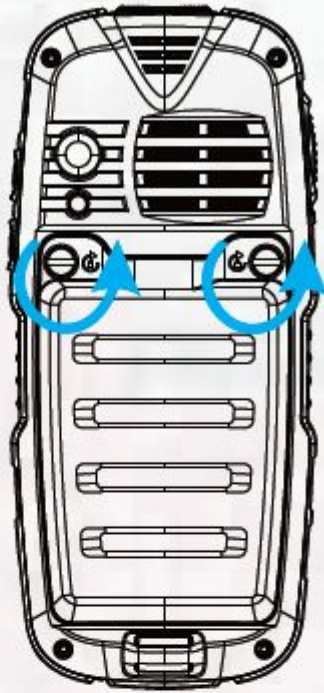
SIM card/Micro SD card Installation and remove the back cover

The device SIM card slot is the conventional standard micro SIM card slot. Slot 1 and 2 can support both GSM and WCDMA SIM card.

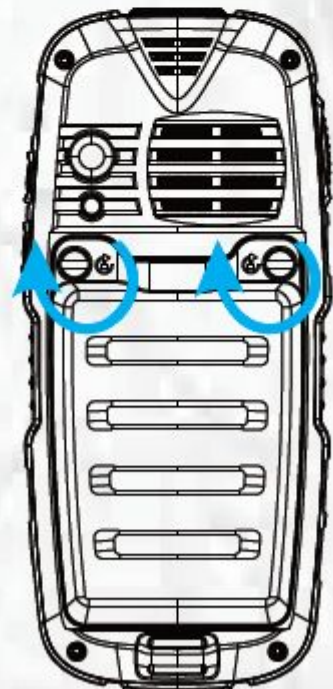
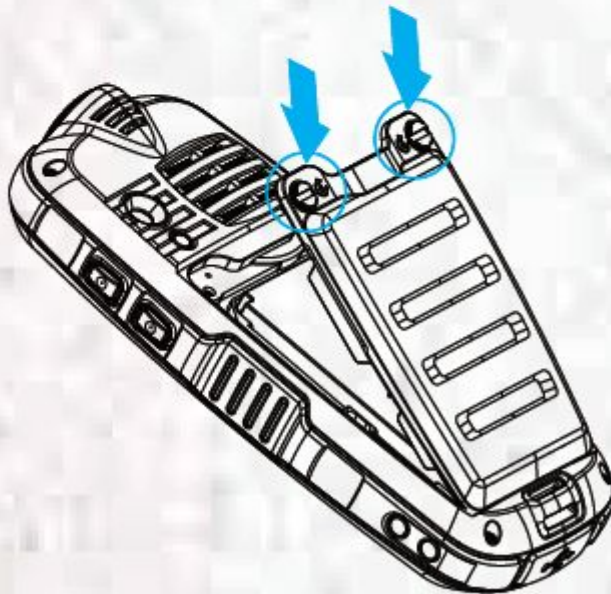
Please follow the steps mentioned below to install the memory card in the device:

1. Open the screw lock according to the picture direction
2. Press the SIM or SD card metal cover and move to open the cover. Put the SIM/SD card metal side down to the slot.
3. follow the picture guide to insert the battery cover and lock the cover with screws.

open the cover



lock the cover



Note :

1. After installation is complete, be sure to tightly cover the battery. Tighten the Battery cover screw lock, to avoid water damage or dirt from entering the mobile phone.
2. Please try to use the phone's original data cable and adapter, or RugGear's approved data cable for the phone to charge.

Tips: Insert / Remove the memory card:

To store additional multimedia information, you must insert a memory card, the device can only accept up to 64GB Micro SD memory card.

Please make sure to remove the memory card in safe circumstances.

Forbliddance

- 1. Please make sure the back cover screw lock, headphones and USB plug and all rubber cover are tightly closed, in order to have perfect dustproof and waterproof effect. Be sure to close a battery cover (specific reference in front of the battery back cover installation method) .
- 2. Do not immerse the phone in water.
- 3. Do not expose your phone in the water dynamics such as waves or waterfalls.
- 4. Do not expose the equipment to salt water, ionized water or soapy water.
- 5. Do not use the phone in the spa or hot water because waterproof rubber is easily affected by high temperature.
- 6. Please do not use wet hands to open the battery cover. When open it, you must put the cover down in case water goes into the cover slot.
- 7. Do not immerse the phone in water or in

extremely wet conditions when opening the back cover. (such as swimming or shower)

- ▶ 8. Do not open the battery cover while the body is not completely dry.
- ▶ 9. Do not use detergent cleaning products and other chemicals.
- ▶ 10. Rubber seal stoppers in the battery cover are an important part of the device. Please be careful to avoid damaging it when you open or close the battery cover. Also, make sure there is no debris, such as sand or dust on the rubber seal.
- ▶ 11. If the device is dropped or subjected to impact, the battery cover and multifunction jack cover may be loose. Ensure that all covers are properly aligned and tightly closed.
- ▶ 12. Under certain conditions, such as high volume levels, it may be slightly vibrated. It is normal due to waterproof design and does not affect the performance.
- ▶ 13. If you accidentally drop your phone in the quagmire, do not worry, just flush it with clean water and dry it.

- ▶ 14 .If you accidentally drop your phone on the beach, do not worry, just flush it with clean water and dry it.
- ▶ 15. If the device is immersed in water or wet microphone or speaker, during a call, the other party may not be able to hear your voice, so wipe with a dry cloth to make sure the microphone or speakers are clean and dry. Hair dryer is not permitted.
- ▶ 16. If water droplets are found on the screen, it may affect the perception of the touch screen resulting in errors.
Recommend to continue to use the phone after drying the water droplets.


▶ **About Phone - the default pass code**

To ensure the privacy of your phone, we set a pass code to protect it. After entered the setting function required a password, the default pass code is 1234. At the same time, users can go "Settings - Security - password change" to modify the default password or users close this function by themselves.

Charging the battery

The first time you use your phone, please run out of power first, and then charge the battery until it is fully charged.

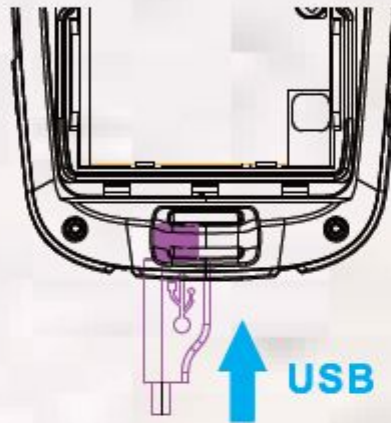
Please try to use the phone's original data cable and adapter, or RugGear approved data cable for the phone to charge. Unqualified charger or USB cable may lead to the device explosion.

When the battery is low, the device will emit a warning tone and a low battery message prompts. The battery icon  will appear blank. If the battery is too low, the phone will automatically shut down. Need to charge the battery in order to continue to use the phone.

If the battery is completely discharged, even if the connection on the travel charger, cannot turn on the device. Before attempting to turn on the device, please charge a few minutes first.

Charging Travel Charger

1. Please open rubber plug according to the following right direction, before inserting the headset or data cable.



The travel charger is not connected properly may result in serious damage to mobile phones. For any damage caused due to misuse, is not in the warranty scope. To save power, unplug the device when not in use travel charger. Adapter shall be installed near the equipment and shall be easily accessible.

Warning

- 1) This device complies with Industry Canada

license-exempt RSS standard(s). Operation is subject to the following two conditions: (1) this device may not cause interference, and (2) this device must accept any interference, including interference that may cause undesired operation of the device.

Le présent appareil est conforme aux CNR d'Industrie Canada applicables aux appareils radio exempts de licence. L'exploitation est autorisée aux deux conditions suivantes : (1) l'appareil ne doit pas produire de brouillage, et (2) l'utilisateur de l'appareil doit accepter tout brouillage radioélectrique subi, même si le brouillage est susceptible d'en compromettre le fonctionnement.

2) User manuals for transmitters equipped with detachable antennas shall also contain the following notice in a conspicuous location: This radio transmitter (identify the device by certification number or model number if Category II) has been approved by Industry Canada to operate with the antenna types listed below with the maximum permissible gain indicated. Antenna types not included in his list, having a gain greater than the maximum gain indicated for that type, are strictly prohibited for

tuse with this device.

Immediately following the above notice, the manufacturer shall provide a list of all antenna types approved for use with the transmitter, indicating the maximum permissible antenna gain (in dBi).

3) This Class **【B】** digital apparatus complies with Canadian ICES-003.

Cet appareil numérique de la classe B est conforme à la norme NMB-003 du Canada.

– Connect the equipment into an outlet on a circuit different from that to which the receiver is connected.

– Consult the dealer or an experienced radio/TV technician for help.

This device complies with Part 15 of the FCC Rules. Operation is subject to the following two conditions:

(1) this device may not cause harmful interference, and

(2) this device must accept any interference received, including interference that may cause undesired operation.



Extend battery life

To save power, you can:

- 1. When not using Bluetooth, Wi-Fi or GPS, please close these wireless communication function;
- 2. Lowering the phone screen brightness and setting a shorter sleep time can save power. You can press the power button to turn off the screen when not using the device;
- 3. Closing Email, calendar and contacts, and other applications of automatic synchronisation; Long pressing the HOME main menu button, selecting the icon and dragging left or right to slide to disappear;
- 4. Your installation and use of some of the applications may shorten battery life, please exit used applications or long press the menu button to view the used application list and slide left/right to exit.
- 5. CAUTION : Risk of explosion if battery is replaced by an incorrect type. Dispose of used batteries according to the instructions.

Safety Information

To protect yourself and others from harm, please read all of the following information before using your mobile phone.

- Do not put the device in hot or cold places.
- Do not put the phone inside the heater, microwave, cooking equipment or high pressure vessel.
- Do not touch the phone or charger when the phone is charging with wet hands.
- Do not use the phone in outdoor thunderstorm weather.
- In a potentially explosive environment, gas station, etc., please turn off the phone.
- When using the phone at a restricted area, please observe all safety warnings and regulations.
- Please abide by all the relevant safety warnings and regulations of using mobile phones while driving.
- Please turn off the phone while flying.

- ▶ Do not use the phone in the occasion where is easily affected by radio frequency interference like hospitals and so on.
- ▶ If possible, avoid the use of mobile phones within 15cm range from the pacemaker. The reason is the phone may interfere with pacemakers.
- ▶ If you must use the phone, please keep a distance of at least 15cm with pacemaker. Please use the phone at the other side of the body or opposite the pacemaker in order to reduce the interference with the pacemaker.
- ▶ If you use a hearing aid, please contact with the manufacturer about radio interference information.
- ▶ If you use other medical devices, please contact with the device manufacturer before using this medical device to determine whether the equipment will be affected by this phone emitted radio frequencies.
- ▶ Do not allow children or animals to bite, chew, or suck the phone or battery.
- ▶ Do not touch the multifunction jack and battery electrode with conductive elements of

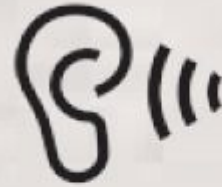
metal or liquids.

- ▶ Do not use the flash or lights when approaching human or animals eyes.
- ▶ Do not use high-volume to listen to long conversation or music, so as not to damage your hearing.
- ▶ Do not disassemble, modify or repair the phone.

Do not approach other handset manufacturers for any changes or modifications or this will void the warranty. For service, please contact with after-sales service department of RugGear or your local dealer.

- ▶ Only qualified service personnel can repair phones.
- ▶ Operating temperature: 0 °C ~ +40 °C .
- ▶ The product contains a re-charger battery, the charging voltage 4.3V. The device contain a power adapter, charging temperature is 0 °C ~ +40 °C .
- ▶ Caution risk of explosion if battery is replaced by an incorrect type. Dispose used batteries according to the instructions.

- ▀ Excessive sound pressure from earphones and headphones can cause hearing loss.



Disclaimer

All content and services available through this device belong to third parties and is protected by copyright, patent, trademark and other intellectual property laws, such content and services for personal, non-commercial use only. In the absence of obtaining license from content owner or service provider, you may not use any content or services.

In addition to the above limitations, unless expressly permitted by the application content or service providers, otherwise, any content or service this equipment displays, you may not modify, copy, republish, upload, post, transmit, translate, sell, create derivative works, exploit, or distribute in any way.

Third-party content and services as is available. Regardless, for any purpose, RugGear does not provide any express or implied warranties for the provided content or service. RugGear explicitly stated, does not undertake any implied warranty and terms or conditions accepted by laws and regulations Common law or in any other way including but not limited to the applicability of the merchantability or for a specific purpose.

The third-party service may at any time to stop or interrupt, RugGear is not responsible for any period of time when the content or services is available. Content and services are transmitted by third parties through the network and transmission equipment outside the control of RugGear In addition to the generality of this exceptions clause, RugGear makes it clear that our company is not responsible for any interrupt and delay of any content or service applicable for this device.

RugGear involving content and services are

neither responsible nor liable. Any content or services related services should be made directly by the content and service providers.

Specific Absorption Rate (SAR)

Your equipment radiation standard unit of measurement is known as specific absorption rate (SAR). The SAR limit of Europe is 2.0 W/kg. Device types RG310 has also been tested against this SAR limit. The highest SAR value reported under this standard during product certification for use at the ear is 0.606W/kg and when properly worn on the body is 0.479W/kg. This device was tested for typical body-worn operations with the back of the handset kept 1.0cm from the body. To maintain compliance with RF exposure requirements, use accessories that maintain a 1.0cm separation distance between the user's body and the back of the handset. The use of belt clips, holsters and similar accessories should not contain metallic components in its assembly. The use of accessories that do not satisfy these

requirements may not comply with RF exposure requirements, and should be avoided.

During use, the actual SAR values for this device are usually well below the values stated above. This is because, for purposes of system efficiency and to minimize interference on the network, Organizations such as the World Health Organization and the US Food and Drug Administration have suggested that if people are concerned and want to reduce their exposure, they could use a hands-free accessory to keep the wireless device away from the head and body during use, or they could reduce the amount of time spent using the device.



This symbol on your telephone, the battery and the accessories means that these products must be taken to collection points at the end of their life.

Regulatory Conformance Hereby, Power Idea Technology (Shenzhen) Co., Ltd. declares that this device is in compliance with the essential requirements and other relevant provisions of Directive 1999/5/EC.

CE 0700

Changes or modifications not expressly approved by the party responsible for compliance could void the user's authority to operate the equipment.

This equipment complies with **FCC** radiation exposure limits set forth for an uncontrolled environment. End user must follow the specific operating instructions for satisfying RF exposure compliance. This transmitter must not be co-located or operating in conjunction with any other antenna or transmitter.

The mobile device is designed to meet the requirements for exposure to radio waves established by the Federal Communications Commission (USA). These requirements set a SAR limit of 1.6 W/kg averaged over one gram of tissue. The highest SAR value reported under this standard during product certification for use when properly worn on the body is 0.648W/kg.

For body worn operation, this device has been tested and meets FCC/IC RF exposure guidelines when used with any accessory that contains no metal and that positions the handset a minimum of 15mm from the body. Use of other accessories may not ensure compliance with FCC/IC RF exposure

NOTE: This equipment has been tested and found to comply with the limits for a Class B digital device, pursuant to Part 15 of the FCC Rules. These limits are designed to provide reasonable protection against harmful interference in a residential installation. This equipment generates, uses and can radiate radio frequency energy and, if not installed and used in accordance with the instructions, may cause harmful interference to radio communications. However, there is no guarantee that interference will not occur in a particular installation.

If this equipment does cause harmful interference to radio or television reception, which can be determined by turning the equipment off and on, the user is encouraged to try to correct the interference by one or more of the following measures:

- Reorient or relocate the receiving antenna.
- Increase the separation between the equipment and receiver.

Supreme Quick Start Manual



RugGear®
R310

WCDMA Digital Mobile Phone