

PowerKiss Heart

Setup Guide

PowerKiss Heart Setup Guide

Version 3.1 (ZM1002)

© *PowerKiss 2011*

PowerKiss Heart Setup Guide

Thank you for choosing PowerKiss. PowerKiss technology provides a simple, efficient and user-friendly way to keep your dear devices charged.

With PowerKiss, you represent state-of-the-art technology and design. Imagine getting rid of low batteries and the annoying, tangled wires from tabletops at the same time! Step into the future with us.

Yours,

A handwritten signature in black ink, appearing to read 'Maija Itkonen', with a long horizontal stroke extending to the right.

Maija Itkonen, CEO of PowerKiss

Contents

PowerKiss wire-free charging	5
Ring	5
Heart	5
Contents of the box	6
Single Heart	6
Double Heart	7
Tools for the installation	8
The milling for the Heart under the furniture surface	9
Introducing the Powerkiss Heart	10
Setup instructions for Powerkiss Heart	11
STEP I - Placing the Heart	11
STEP II - Attaching the Heart	12
STEP III - Inserting crystal	13
STEP IV - Marking the Hotspot	14
STEP V - Setting the power cables for single Heart	15
STEP VI - Setting the power cables for double Heart	17
STEP VII - Checklist	19
Technical specifications	20
The Heart	20
The Ring	20
Official power supplies	20
Regulatory Compliance Information	21
FCC Compliance Statement (United States)	21
EU declaration of conformity	21
European Union - Disposal information	22
Limited manufacturer's warranty for PowerKiss devices	22

PowerKiss wire-free charging

The essence of wire-free charging is the pairing of Heart and Ring. The Heart is the transmitter and the Ring is the receiver and together they enable wire-free charging on almost any surface.

Ring

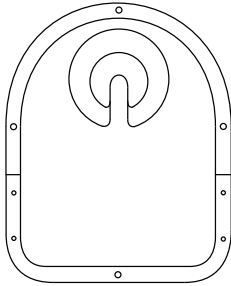
The Ring is a small accessory that is plugged into handheld devices, such as mobile phones or mp3-players. As soon as the Ring is plugged in, the device is ready to be a part of a wire-free energy transaction.

Heart

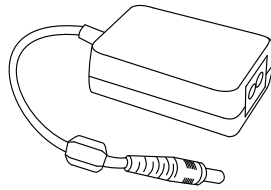
To turn a surface into a wire-free charging platform it first needs to be given a Heart. Like most, this Heart is also hidden except for a small LED light to indicate that it is ready to charge a mobile device wearing a Ring. The LED is also the center point of the charging area, called PowerKiss Hotspot. Whenever the device with Ring is on this Hotspot, the wire-free charging begins.

Contents of the box

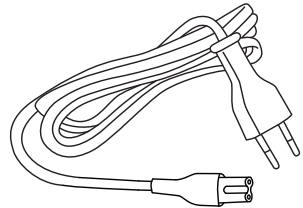
Single Heart



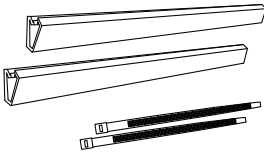
*PowerKiss
Heart*



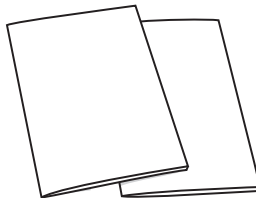
*Power supply:
RS or PhiHong*



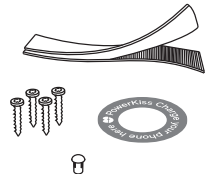
*AC power
cord*



*Power cable
holders & ties*



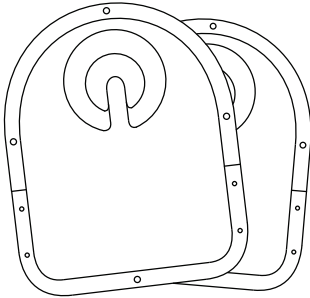
*Setup &
User Guide*



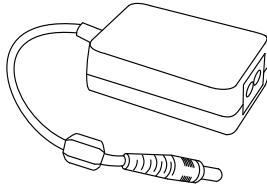
*Installation kit
(crystal, 4x screw,
Hotspot sticker &
Velcro fastener)*

Contents of the box

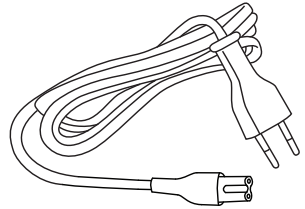
Double Heart



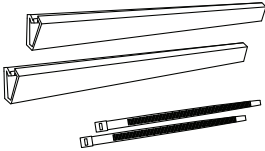
*2x PowerKiss
Heart*



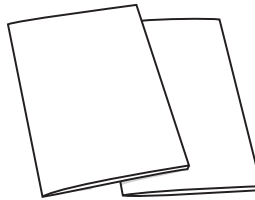
*Power supply:
Mascot or PhiHong*



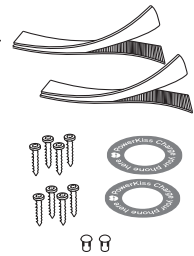
*AC power
cord*



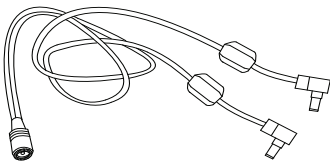
*Power cable
holders & ties*



*Setup &
User Guide*



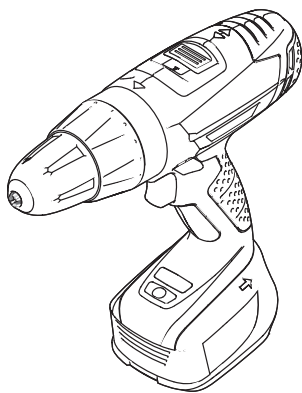
*Installation kit
(2x crystal, 8x screw,
2x Hotspot sticker &
2x Velcro fastener)*



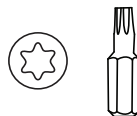
Power split cable

The items supplied with your device and available accessories may be different depending on your region or service provider

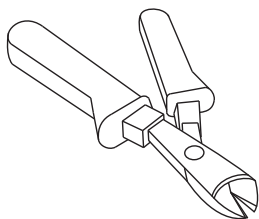
Tools for the installation



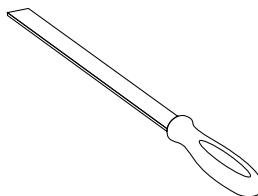
*Power or cordless
drill*



Torx 20 drill bit

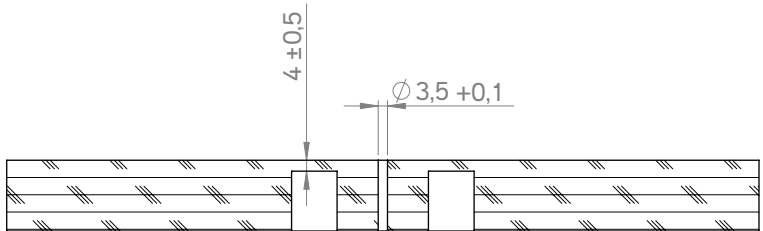
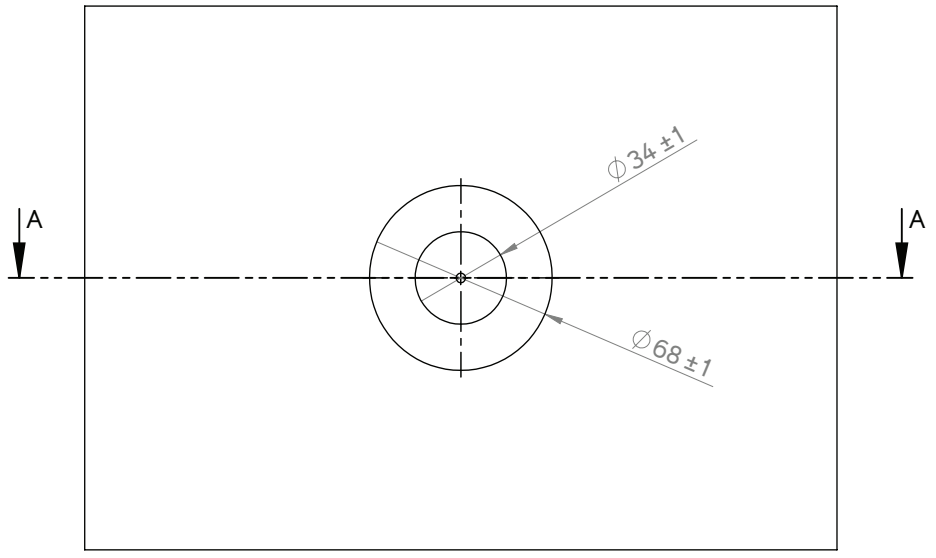


Wire cutters



File

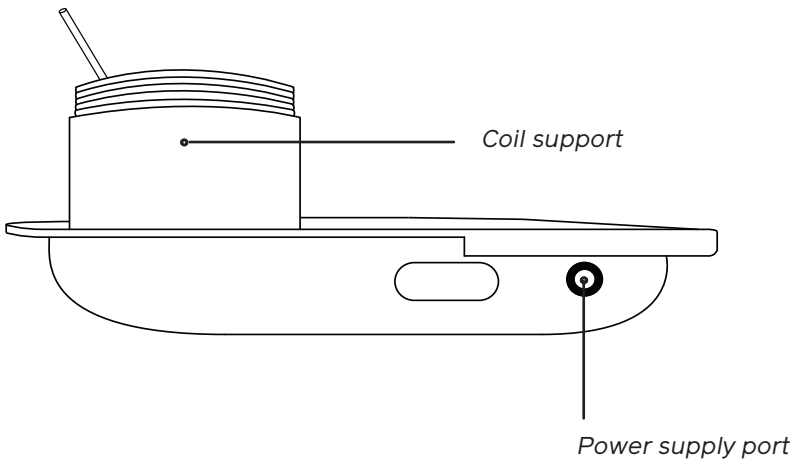
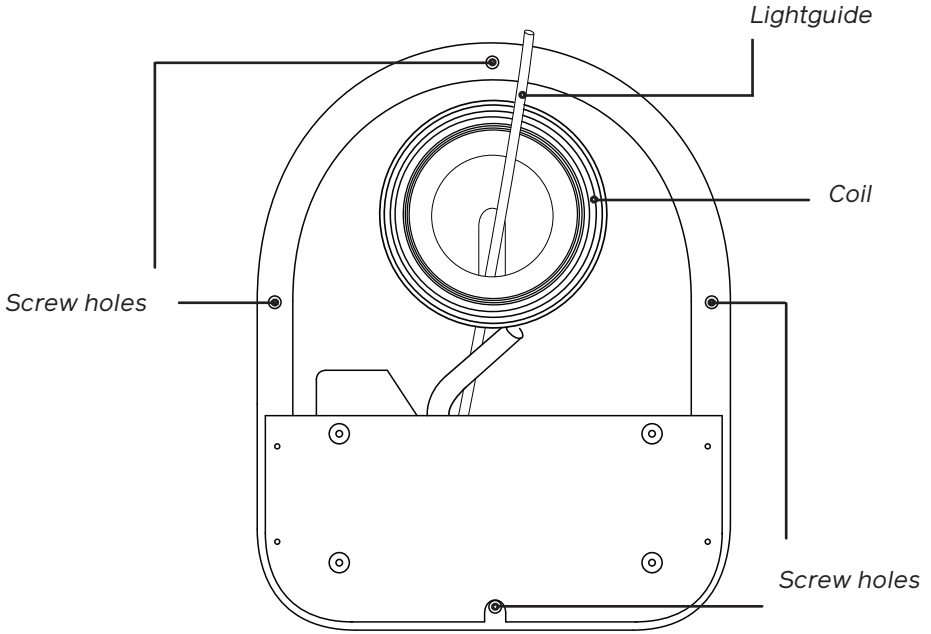
The milling for the Heart under the furniture surface



SECTION A-A

Introducing the Powerkiss

Heart



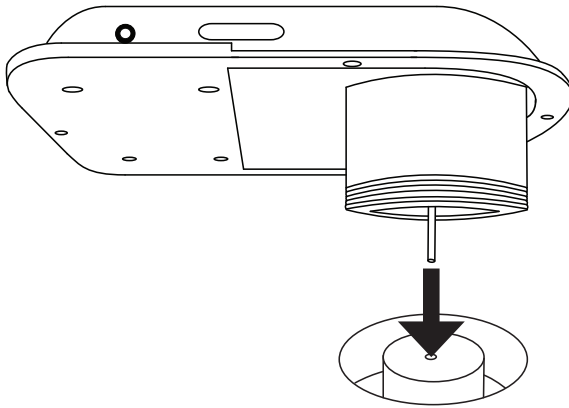
Setup instructions for

Powerkiss Heart

STEP I - Placing the Heart

Place Heart in the milled out area of the furniture surface. Push the Heart against the surface so that the

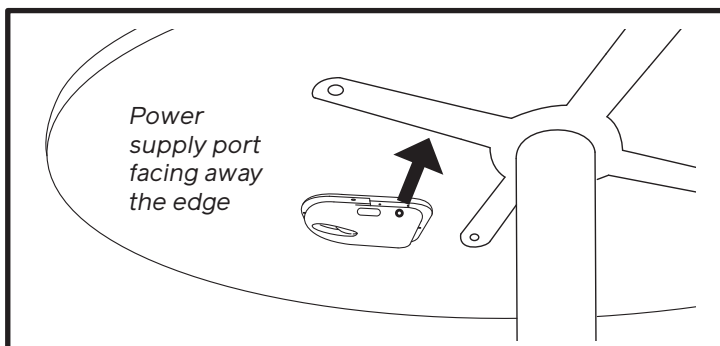
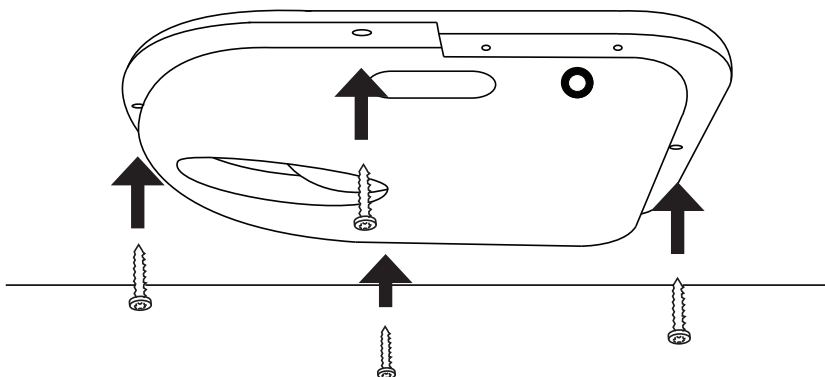
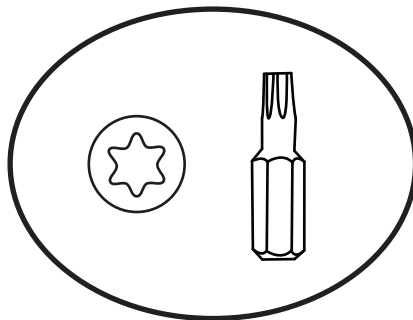
lightguide goes through the hole in the middle and comes out the other side. Make sure that the coil goes firmly into the round grooved out area and is *evenly against the surface*.



When the Heart is connected to a power source, do not touch the coil or electrical components

STEP II - Attaching the Heart

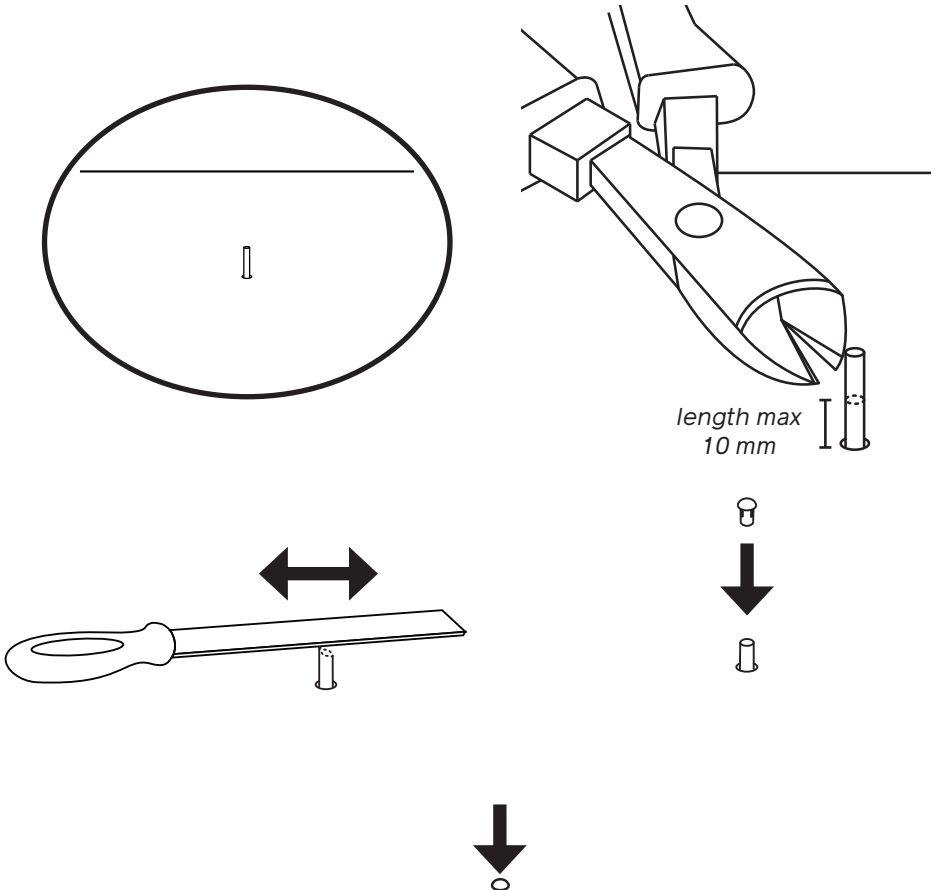
Use the screws found in the installation kit to fasten the Heart firmly to the surface so that the power supply port is facing away from the closest edge.



STEP III - Inserting crystal

Measure the length of the lightguide that stands out from the furniture surface and cut the excess leaving 10mm. Polish the end of the cut lightguide.

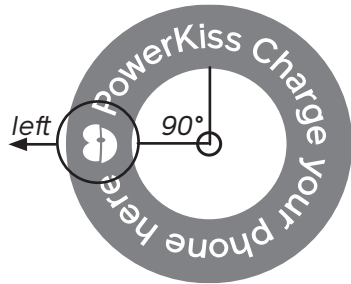
Put the crystal (provided in the installation kit) on top of the lightguide and press it into the hole. Make sure that the lightguide goes all the way into the crystal.



STEP IV - Marking the Hotspot

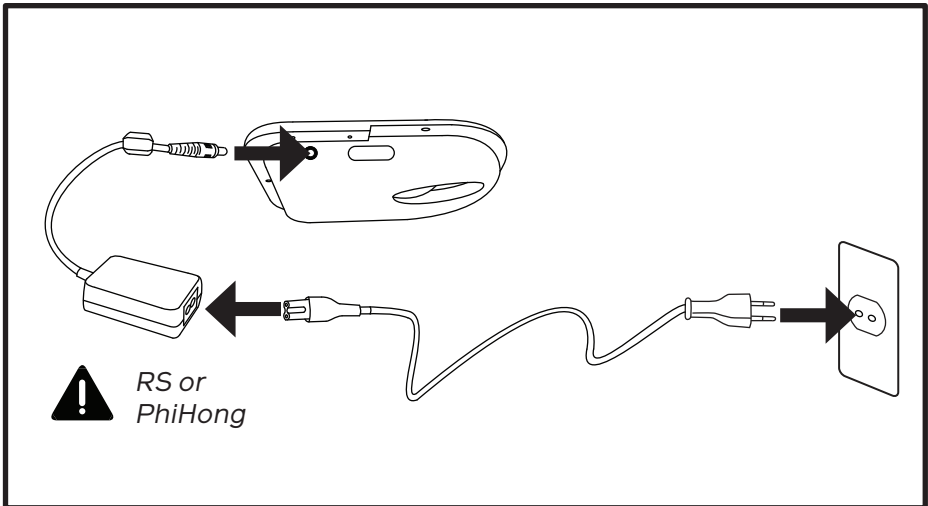
Attach PowerKiss Hotspot sticker (provided in the Installation package) to mark the charging area. Place it so that it is symmetrically around the center point, PowerKiss logo on the left side.

For completing the installation with single Heart, continue to page 15.
For completing the installation with double Heart turn to page 17.



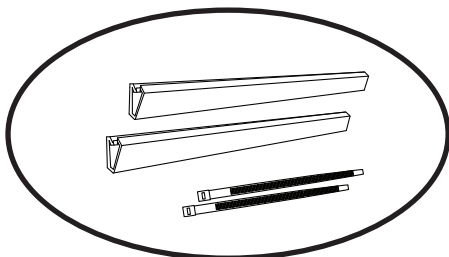
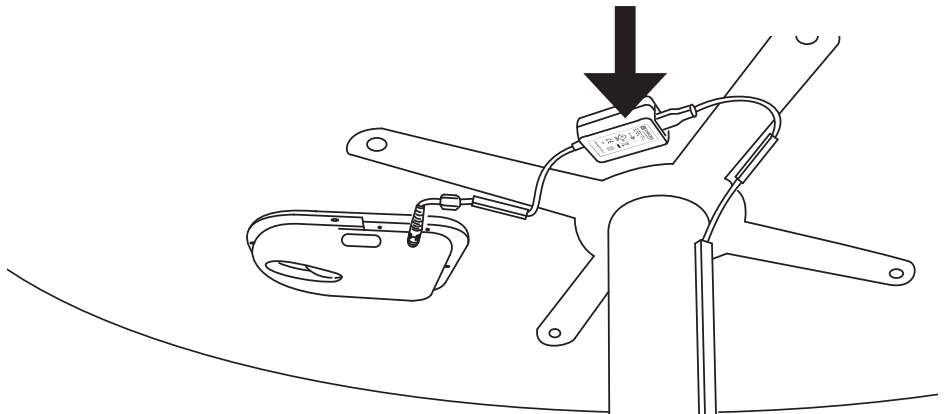
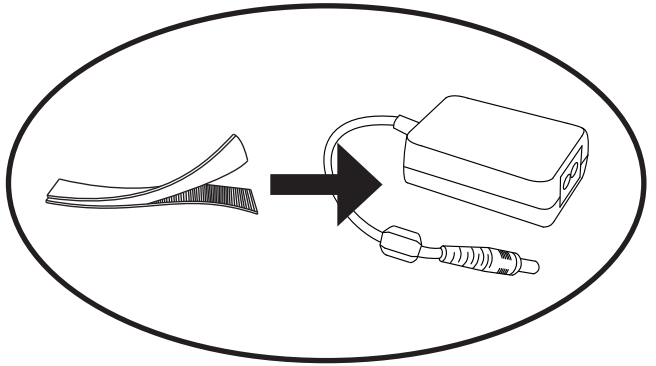
STEP V - Setting the power cables for single Heart

Installing only one Heart, attach the AC power cord to a power supply and the power supply to the Heart's power supply port. Use only RS or PhiHong power supplies with single Heart.



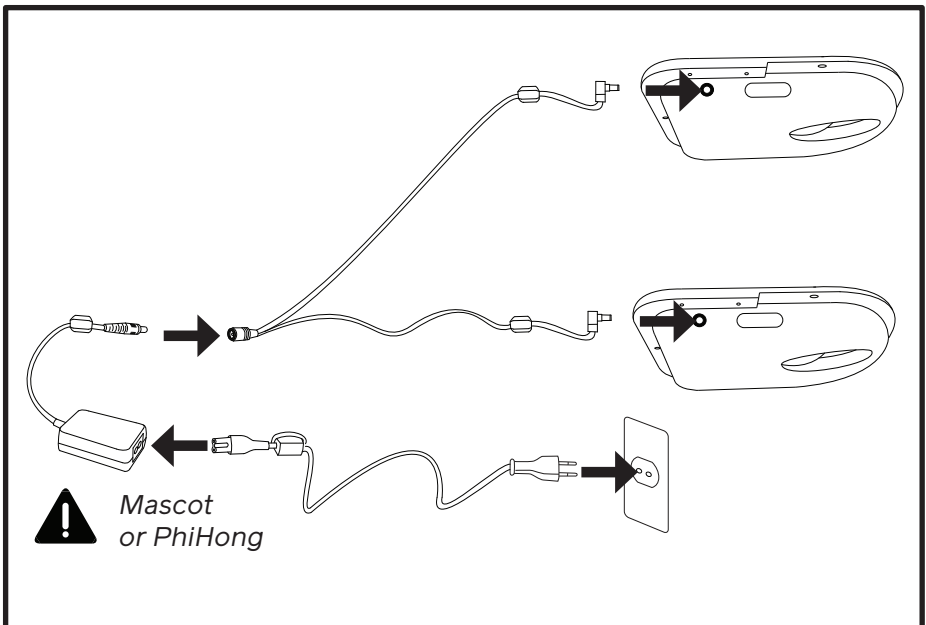
Attach the power cables using the cable holders and ties when needed. The power supply (RS or PhiHong) should be attached with

velcro fastener to the piece of furniture so that the label of the power is visible.



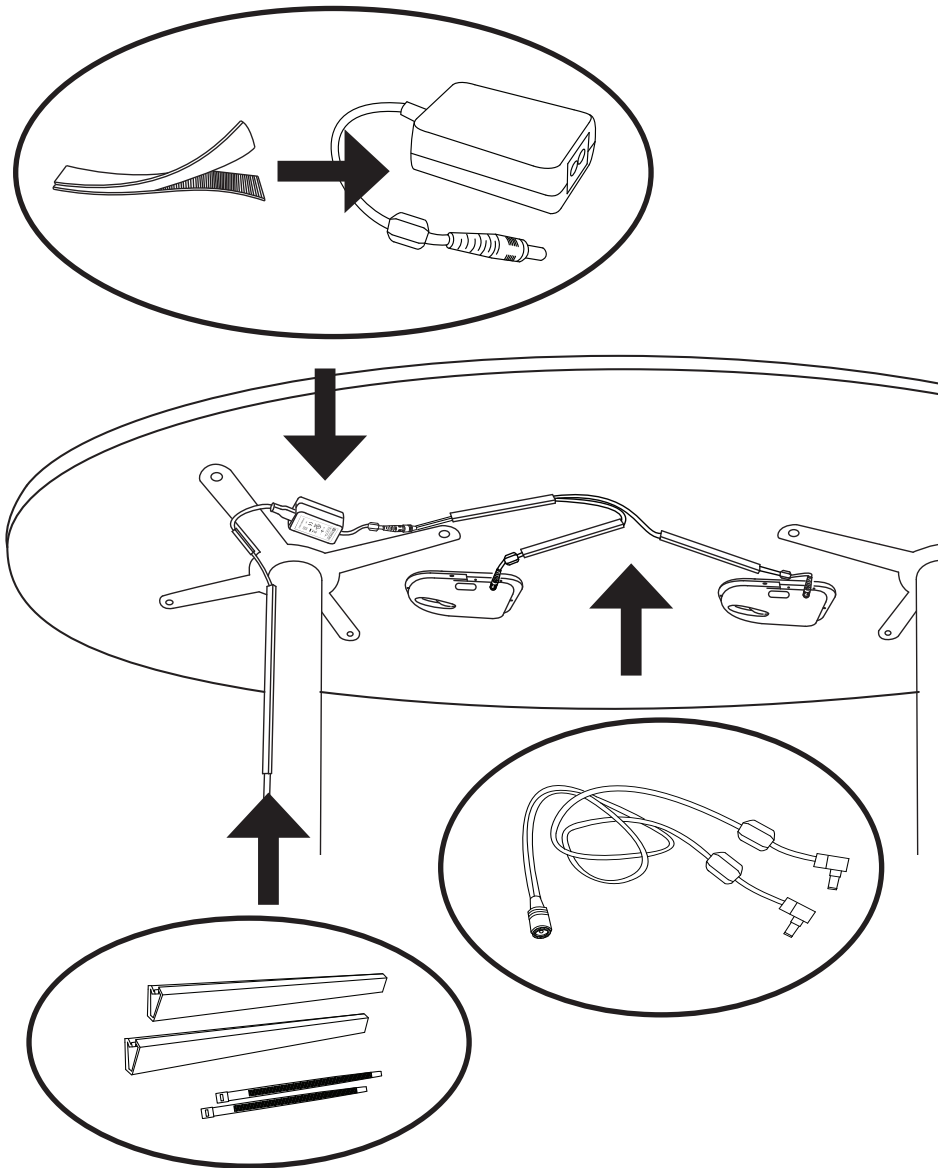
STEP VI - Setting the power cables for double Heart

In the case of setting up two or more Hearts into the same piece of furniture, the underlying procedure is almost the same as with installing one Heart. The difference comes from sharing a power supply (Mascot or PhiHong) and using a split cable for distributing power.



Attach the power cables using the cable holders and ties. The power supply (Mascot or PhiHong) should be attached with velcro fastener to

the piece of furniture so that the label of the power is visible.



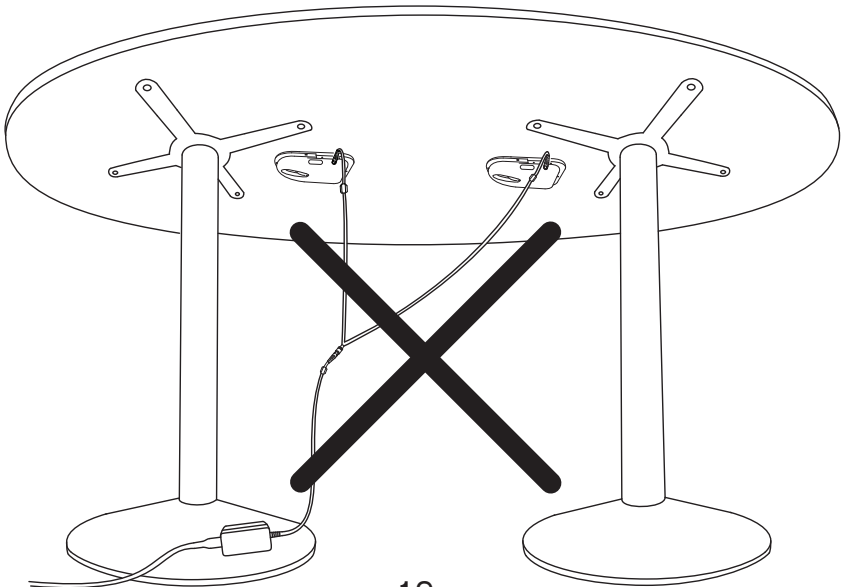
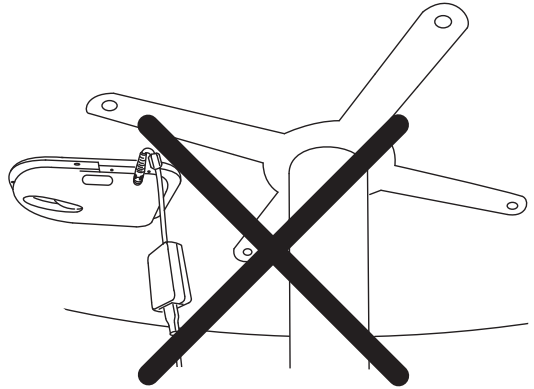
STEP VII - Checklist

Power

- Do not attach the power supply to places where it can be interfered with (e.g. let hang, bottom parts of the furniture or clearly visible places)

Wires

- Always install the cables so that they are firmly and aesthetically attached to the piece of furniture and/or the surroundings and out of the sight when possible



Technical specifications

The Heart

Dimensions (LxWxH):

- 163mm x 132mm x 24mm

Power consumption:

- Charging 12W (max)
- Standby 240mW

Charging area/Hotspot size:

- Width 60mm
- Height 15mm

The Ring

Dimensions (LxWxH):

- 43-46mm x 34mm x 7.5mm

Power output:

- 5W (max)

Compatibility:

- Nokia 2mm
- Apple
- MicroUSB

Official power supplies

Use only power supplies listed here with the PowerKiss system.

With one Heart (single):

- RS SAW18-12.0-1500 (only within CE or FCC certified areas)

or

- PhiHong PSM36W-120TW (only within areas where CB or FCC certification is required)

With two Hearts (double, power divided):

- Mascot 2720 0000 40 (only within CE certified area)

or

- PhiHong PSM36W-120TW (only within areas where CB or FCC certification is required)

Regulatory Compliance Information

FCC Compliance Statement (United States) - FCC Class B Part 15

This device complies with Part 15 of the Federal Communications Commission (FCC) Rules. Operation is subject to the following two conditions:

- This device may not cause harmful interference
- This device must accept any interference received, including interference that may cause undesired operation. See instructions below if radio or television interference is suspected.

FCC Compliance Notice

This equipment has been tested and found to comply with the limits for a Class B digital device, pursuant to Part 15 of the FCC Rules. These limits are designed to provide reasonable protection against harmful interference in a residential installation. This equipment generates, uses and can radiate radio frequency energy and, if not installed and used in accordance with the manufacturer's instructions, may cause interference harmful to radio or television reception or radio communication. There is no guarantee, however, that interference will not occur in a particular installation. If this equipment does cause harmful interference to radio or television reception or radio communication, which can be determined by turning the equipment off and on, the user is encouraged to try to correct the interference by one or more of the following measures:

- Reorient or relocate the receiving antenna until the interference stops.
- Increase the separation between the equipment and the receiver.
- Connect the equipment an outlet that is on a different circuit from the receiver.
- Consult the dealer or an experienced radio or TV technician for help.

CAUTION: Changes or modifications not expressly approved by the party responsible for compliance could void the user's authority to operate the equipment.

EU declaration of conformity

Powerkiss Ltd hereby declares that the products PowerKiss Ring (model 11RXX) and PowerKiss Heart (model 2.1) have been designed and manufactured in accordance with the following standards: EN 61000-6-3 (incl. EN 55022), EN 61000-3-2, EN 61000-6-1 (incl. EN 61000-4-2, EN 61000-4-3, EN 61000-4-4, EN 61000-4-5), IEC 61000-4-6, EN 61000-4-11, EN 62233 and EN 60950, and conforms to: EMC Directive 2004/108/EC, Health and safety Directive 2004/40/EC, Low Voltage Directive "LVD" 2006/95/EC, Hazardous substances "RoHS" Directive 2002/95/EC, Waste Electrical and Electronic Equipment Directive 2002/96/EC, CE marking Directive 93/68/EEC, Eco-design Directive 2005/32/EC

Betonimiehenkuja 5
FIN-02150 ESPOO
Finland
23.07.2010



Maija Itkonen, CEO

European Union - Disposal information



Waste Electrical & Electronic Equipment, applicable in the European Union and other European countries with separate collection systems.

This marking on the product, accessories or literature indicates that the product and its electronic accessories (e.g. power cables and adapters) should not be disposed of with other household waste at the end of their working life. To prevent possible harm to the environment or human health from uncontrolled waste disposal, please separate these items from other types of waste and recycle them responsibly to promote the sustainable reuse of material resources.

Household users should contact either the retailer where they purchased this product, or their local government office, for details of where and how they can take these items for environmentally safe recycling. Business users should contact their supplier and check the terms and conditions of the purchase contract. This product and its electronic accessories should not be mixed with other commercial wastes for disposal.

This EEE is compliant with RoHS.

The package is recyclable.

Limited manufacturer's warranty for PowerKiss devices

This Limited Manufacturer's Warranty for PowerKiss devices sold in the European Union, Iceland, Norway, Switzerland, and Turkey is valid as of October, 2011

MANUFACTURER'S LIMITED WARRANTY

NOTE! This Limited Warranty does not affect your legal (statutory) rights under your applicable national laws relating to the sale of consumer products.

PowerKiss Ltd provides this Limited Warranty to you who have purchased the PowerKiss product(s) included in the sales package ("Product").

PowerKiss Ltd sells its products with the intent that they are free of defects in manufacture and workmanship for twelve (12) months from the date of original purchase by the first end-user.

PowerKiss warrants that its products will be free of defects in material and workmanship under normal use and service defined in user guide. This warranty extends only to consumers and does not extend to Retailers.

This warranty does not cover normal tear and wear, damage caused by misuse or abuse; accident; indirect accident; the attachment of any unauthorized accessory; usage otherwise than intended to be used; alteration to the product; improper installation; unauthorized service, repairs or modifications; improper use of electrical/power supply; loss of power; dropped product; malfunction or damage of an operating part from failure to provide manufacturer's recommended maintenance; transportation damage; theft; neglect; vandalism; or environmental out of specs conditions ; loss of use during the period the product is at a repair facility or otherwise awaiting parts or repair; or any other conditions whatsoever that are beyond the control of PowerKiss Ltd

This Limited Warranty is only valid and enforceable in the country where you have purchased the Product provided that PowerKiss has intended the Product for sale in that country. However, if you have purchased the Product in a member state of the European Union, Iceland, Norway, Switzerland or Turkey and PowerKiss originally intended the Product for sale in one of these countries, this Limited Warranty is valid and enforceable in all of these above listed countries.

How to get warranty service

If you wish to make a claim under this Limited Warranty, please return your Product to PowerKiss Ltd

When making a claim under this Limited Warranty you will be required to provide:

- a) the Product
- b) the original proof of purchase, which clearly indicates the name and address of the seller, the date and place of purchase, the product type and serial number, when applicable.

Other important notices

All parts of the Product or other equipment that PowerKiss has replaced shall become the property of PowerKiss. If the Product is found not to be covered by the terms and conditions of this Limited Warranty, PowerKiss reserve the right to charge a handling fee

Limitation of PowerKiss's liability

This Limited Warranty is your sole and exclusive remedy against PowerKiss and PowerKiss's sole and exclusive liability in respect of defects in your Product. This Limited Warranty replaces all other PowerKiss warranties and liabilities, whether oral, written, (non-mandatory) statutory, contractual, in tort or otherwise, including, without limitation, and where permitted by applicable law, any implied conditions, warranties or other terms as to satisfactory quality or fitness for purpose. However, this Limited Warranty shall neither exclude nor limit

i) any of your legal (statutory) rights under the applicable national laws or ii) any of your rights against the seller of the Product.

To the extent permitted by applicable law(s) PowerKiss does not assume any liability for loss of or damage to or , for any loss of profit, loss of use of Products or functionality, loss of business, loss of contracts, loss of revenues or loss of anticipated savings, increased costs or expenses or for any indirect loss or damage, consequential loss or damage or special loss or damage.

To the extent permitted by applicable law, PowerKiss's liability shall be limited to the purchase value of the Product. The above limitations shall not apply in case of gross negligence or intentional misconduct of PowerKiss or in case of death or personal injury resulting from PowerKiss's proven negligence.

Design
and
technology

are matters
of Heart

www.powerkiss.com

info@powerkiss.com

© PowerKiss 2011