



02/20/2001

POWERWARE® 9 PRESTIGE SERIES

User's Guide

600 VA - 1800 VA

FCC Statement

The Powerware® 9 Prestige Series UPS configurations vary. Some configurations may or may not be classified by the Federal Communications Commission (FCC). If your Prestige unit is classified by these standards, the corresponding information applies:

Class A

NOTE This equipment has been tested and found to comply with the limits for a Class A digital device, pursuant to Part 15 of the FCC Rules. These limits are designed to provide reasonable protection against harmful interference when the equipment is operated in a commercial environment. This equipment generates, uses, and can radiate radio frequency energy and, if not installed and used in accordance with the instruction manual, may cause interference to radio communications. Operation of this equipment in a residential area is likely to cause interference in which case the user will be required to correct the interference at his own expense.

Class B

NOTE This equipment has been tested and found to comply with the limits for a Class B digital device, pursuant to Part 15 of the FCC Rules. These limits are designed to provide reasonable protection against harmful interference when the equipment is operated in a residential installation. This equipment generates, uses, and can radiate radio frequency energy and, if not installed and used in accordance with instructions, may cause harmful interference to radio communications. However, there is no guarantee that interference will not occur in a particular installation. If this equipment does cause harmful interference to radio or television reception, which can be determined by turning the equipment off and on, the user is encouraged to try to correct the interference by one or more of the following measures:

- Reorient or relocate the receiving antenna.
- Increase the separation between the equipment and receiver.
- Connect the equipment into an outlet on a circuit different from that to which the receiver is connected.
- Consult the dealer or an experienced radio/TV technician for help.

European EMC Statement

Some configurations are classified under EN50091-2 as "Class-A UPS for Unrestricted Sales Distribution." For these configurations, the following applies:

WARNING This is a Class A-UPS Product. In a domestic environment, this product may cause radio interference, in which case, the user may be required to take additional measures.

EC Declaration of Conformity

Units that are labeled with a CE mark comply with the following EU directives:

73/23/EEC	Council Directive on equipment designed for use within certain voltage limits.
93/68/EEC	Amending Directive 73/23/EEC.
89/336/EEC	Council Directive relating to electromagnetic compatibility.

The EC Declaration of Conformity is available upon request for products with a CE mark. For copies of the EC Declaration of Conformity, contact:

Powerware Corporation
Koskelontie 13
FIN-02920 Espoo
Finland
Phone: +358-9-452661
Fax: +358-9-452-66395

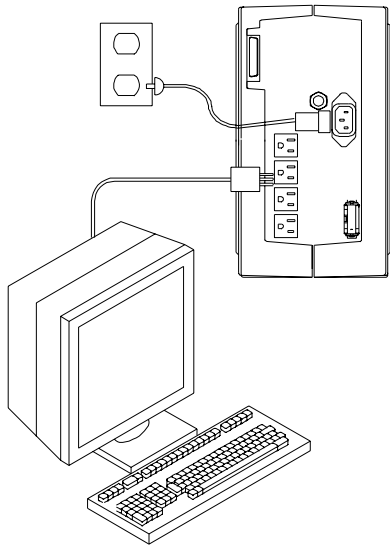
Powerware, PowerPass, Powercare, OnliNet, and OnliSafe are registered trademarks of Powerware Corporation. IBM and AS/400 are registered trademarks of International Business Machines Corp. Novell is a registered trademark of Novell, Inc. 3Com is a registered trademark of 3Com Corporation.

©Copyright 1993-99 Powerware Corporation, Raleigh, North Carolina, U.S.A. All rights reserved. No part of this document may be reproduced in any way without the express written approval of Powerware Corporation.

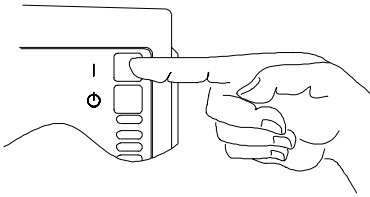


120V MODEL QUICK INSTALLATION

1



2

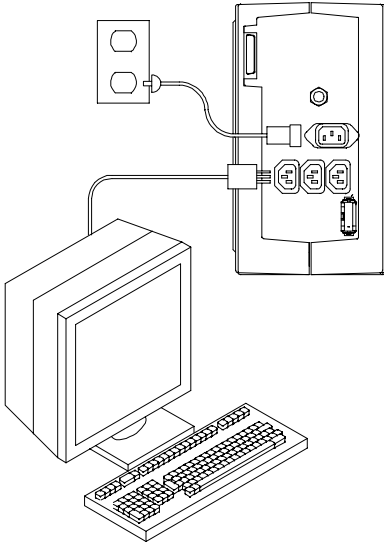


230V MODEL QUICK INSTALLATION



NOTE For 208, 220, or 240V models, follow the instructions for changing the output voltage on page 32.

1



2

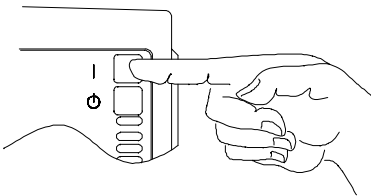




TABLE OF CONTENTS

1 Introduction	1
UPS Model and Battery Configurations	2
Load Requirements	2
Battery Times	3
Special Symbols	7
2 Safety Warnings	9
Sikkerhedsanvisninger	10
Belangrijke Veiligheidsinstructies	12
Tarkeita Turvaohjeita	13
Consignes de sécurité	15
Sicherheitswarnungen	16
Προειδοποιήσεις Ασφάλειας	18
Avvisi di sicurezza	20
Viktig Sikkerhetsinformasjon	21
Regulamentos de Segurança	23
Предупреждения по мерам безопасности	24
Advertencias de Seguridad	26
Säkerhetsföreskrifter	27
3 Installation	29
Unpacking and Inspection	29
UPS and Battery Cabinet Storage	29
UPS and Battery Cabinet Installation	29
UPS Startup for 120V Models	31
UPS Startup for 208V-240V Models	32
Troubleshooting Tips	34
4 UPS Operation	35
UPS Front Panel	35
Operating Modes	36
Normal Mode	36
Bypass Mode	37
Battery Mode	37

Diagnostics	38
Battery Test on Demand	38
Battery Start	39
UPS Shutdown	39
Changing the Output Voltage	39
Using the PowerPass	40
Using Maintenance Bypass	41
5 Communication	45
Initial Communications Settings	45
Front Panel Communications Access	46
UPS Serial Communications Menu	48
Power Management Software	51
UPS Communications Interface Port	52
Communications Mode Reference Chart	53
6 Specifications	55
Prestige UPS Model Specifications	55
Prestige UPS Physical Specifications	56
Prestige UPS Technical Specifications	56
7 Troubleshooting	57
Resetting the UPS	59
Silencing the Alarm	59
Service and Support	60
Index	61



CHAPTER 1

INTRODUCTION

Congratulations on the purchase of your Powerware® 9 Prestige Series uninterruptible power system (UPS). The Prestige UPS meets the toughest measures of superior design and manufacturing, including ISO 9001. You now own the most reliable power protection available.

The Prestige provides a steady, well-regulated power supply for your computing and communications equipment, while protecting it from the frequent irregularities that are inherent in commercially available power. Voltage spikes, power surges, brownouts, and power failures have the potential to corrupt critical data, destroy unsaved work sessions, and in some instances, damage expensive hardware.

With the Prestige, you can safely eliminate the effects of electrical line disturbances and guard the integrity of your systems and equipment. The optional PowerPass® has a Maintenance Bypass feature that supplies power to your equipment even when the UPS electronics are removed for maintenance or upgrades. Figure 1 shows the Prestige UPS.

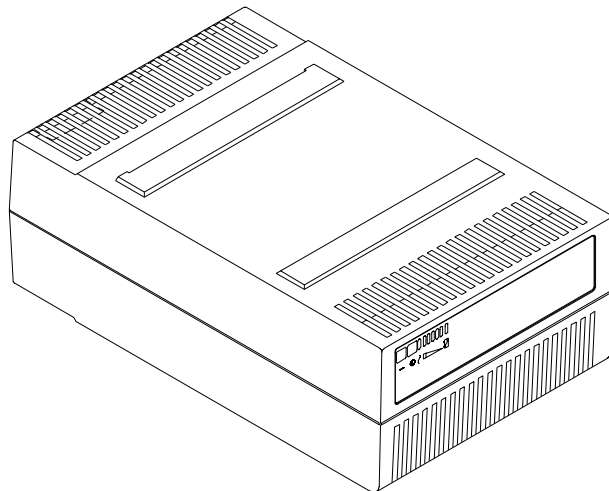


Figure 1. Prestige UPS

UPS Model and Battery Configurations

This UPS is designed to work with single-phase, three-wire, AC power sources. There are two important considerations when selecting the UPS model and battery configuration to properly safeguard your equipment:

- Load requirements
- Battery times

Load Requirements

The load is the equipment to be protected by the UPS. Select the UPS model that meets the power consumption requirements of the load in volt-amperes (VA). The total load VA should not exceed the UPS VA rating. To determine the total load requirements:

1. Obtain the load ratings from either the nameplate or operator's manual of the equipment to be protected by the UPS. The ratings are listed in either watts (W), amperes or amperes max (A), or volt-amperes.
2. If the rating is in watts, multiply by 1.4 to obtain the VA requirement (this is the typical relationship between watts and volt-ampere ratings in most computing equipment). However, in some new computing equipment, the power supply is power-factor corrected and the watts rating equals the VA requirement. Check with the manufacturer to determine applicability.

If the rating is in amperes or amperes max, multiply by the input voltage to obtain the VA requirement.

3. Add all of the resultant VA ratings together to obtain the total load requirements of the equipment to be protected (see Figure 2). If the load consists of the power-factor corrected supplies, it is recommended to use total watts for the load requirements.

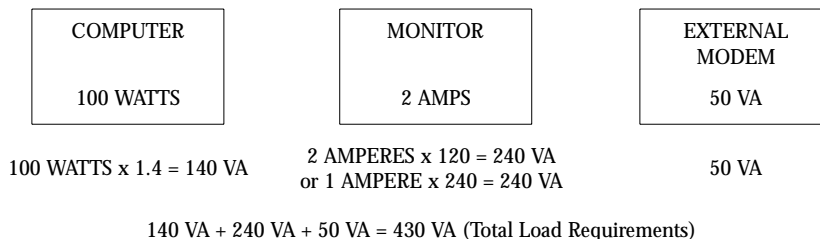


Figure 2. Volt-Amperes Calculation Example

If the total load requirements of the equipment exceeds the capacity of the UPS, you must either reduce the number of pieces of equipment, or use a UPS with a larger load capacity.

When deciding on which pieces of equipment to remove from the UPS, select equipment that has a lower priority for power protection.

Computers, monitors, and modems typically have a higher priority because they could be processing or transmitting data when a power outage occurs.

Battery Times

During a power failure, the UPS battery supplies power to your equipment, providing time to complete computing activities prior to UPS shutdown. The duration of this time period is directly related to the UPS battery configuration. By adding battery cabinets (EXT models only), you can customize the UPS to provide enough battery time for normal processing activities.

The rating label on the UPS rear panel shows the model number. Model numbers with a "P2" are EXT units; numbers with "HV" are high voltage units (208 - 240V models). The following tables show the average battery times by product model.

Prestige 600 - 1500 VA, 120V Models								
Load (VA) at .7 PF*	Load (W)	Internal UPS Batteries (Rounded to the Nearest Minute)						
		650	800	1000	750 EXT	1000 EXT	1250 EXT	1500 EXT
200	140	37	37	37	68	68	68	68
400	280	22	22	22	32	32	32	32
600	420	12	12	12	20	20	20	20
800	560		8	8	15 [†]	14	14	14
1000	700			6		11	11	11
1250	875						8	8
1500	1050							6

Load (VA) at .7 PF*	Load (W)	External Battery Cabinet Configurations for EXT Models							
		1/2 Cabinet	1 Cabinet	1 1/2 Cabinets	2 Cabinets	2 1/2 Cabinets	3 Cabinets	3 1/2 Cabinets	4 Cabinets
200	140	143	216	290	364	438	513	589	663
400	280	69	115	158	198	239	280	320	362
600	420	43	73	105	137	165	194	221	249
750	525	33	56	80	106	134	156	178	202
1000	700	23	39	57	75	95	114	135	151
1250	875	17	30	42	56	70	86	102	118
1500	1050	14	23	32	43	55	67	78	91

*Typical Power Factor (PF); [†]750 VA, 525W

Prestige 600 - 1250 VA, 208 - 240V Models									
Load (VA) at .7 PF*	Load (W)	Internal UPS Batteries (Rounded to the Nearest Minute)							
		600	800	1000	800 EXT	1000 EXT	1250 EXT		
200	140	33	33	33	56	56	56		
400	280	21	21	21	29	29	29		
600	420	11	11	11	19	19	19		
800	560		7	7	13	13	13		
1000	700			6		10	10		
1250	875								8
Load (VA) at .7 PF*	Load (W)	External Battery Cabinet Configurations for EXT Models							
		1/2 Cabinet	1 Cabinet	1 1/2 Cabinets	2 Cabinets	2 1/2 Cabinets	3 Cabinets	3 1/2 Cabinets	4 Cabinets
200	140	133	203	274	346	418	491	564	637
400	280	70	117	159	201	243	285	328	371
600	420	46	76	110	141	171	200	230	260
800	560	33	55	79	105	132	153	176	199
1000	700	25	42	61	81	102	124	147	161
1250	875	19	32	46	61	77	94	111	129

*Typical Power Factor (PF)

Prestige 1500 - 1800 VA, 208 - 240V Models										
Load (VA) at .7 PF*	Load (W)	UPS with External Battery Cabinet Configurations (Rounded to the Nearest Minute)								
		Internal UPS Battery	1/2 Cabinet	1 Cabinet	1 1/2 Cabinets	2 Cabinets	2 1/2 Cabinets	3 Cabinets	3 1/2 Cabinets	4 Cabinets
200	140	59	128	194	260	327	393	460	527	595
400	280	29	64	107	149	186	224	263	302	339
600	420	19	42	71	102	135	161	189	217	244
800	560	14	32	52	76	100	125	148	169	191
1000	700	11	24	41	59	77	98	119	138	156
1250	900	8	19	32	45	59	76	92	108	125
1500	1050	7	14	25	36	48	60	73	86	101
1800	1200	5	12	20	29	38	48	59	69	80

*Typical Power Factor (PF)

Special Symbols

The following common symbols may be found on the UPS:



LOAD ON - Press the button with this symbol to energize the output receptacles (Output On).



LOAD OFF - Press the button with this symbol to de-energize the output receptacles (Output Off).



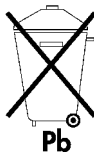
SAFETY EARTHING TERMINAL - Indicates the primary safety ground.



RISK OF ELECTRIC SHOCK - Indicates that a risk of electric shock is present and the associated warning should be observed.



CAUTION: REFER TO OPERATOR'S MANUAL - Refer to your operator's manual for additional information.



This symbol indicates that the UPS batteries should not be discarded in the trash. The UPS contains sealed lead batteries and must be disposed of properly. For battery replacement or removal, call your **Local Distributor** or the **Help Desk** at one of the telephone numbers on page 60.



CHAPTER 2

SAFETY WARNINGS

IMPORTANT SAFETY INSTRUCTIONS

SAVE THESE INSTRUCTIONS. This manual contains important instructions that you should follow during installation of the UPS. Please read all instructions before operating the equipment and save this manual for future reference.

DANGER



This UPS contains **LETHAL VOLTAGES**. All repairs and service should be performed by **AUTHORIZED SERVICE PERSONNEL ONLY**. There are **NO USER SERVICEABLE PARTS** inside the UPS.

CAUTION



- Batteries can present a risk of electrical shock or burn from high short circuit current. Observe proper precautions.
- Proper disposal of batteries is required. Refer to your local codes for disposal requirements.
- This UPS contains its own energy source (batteries). The output receptacles may carry live voltage even when the UPS is not connected to an AC supply.
- Never dispose of batteries in a fire. Batteries may explode when exposed to flame.
- Never open or mutilate batteries. Released electrolyte is harmful to the skin and eyes, and may be extremely toxic.
- Use only the power supply cord provided with this UPS. The power cord is wired in accordance with National Electrical Code (NEC) specifications. Be sure the wall outlet to be used with the UPS is wired in accordance with these same specifications in order to avoid damage to your equipment. Be sure that overcurrent protection for the AC outlet is provided at the time of installation. Be sure the input plug is completely inserted into the wall outlet. Use a single-phase, three-wire, grounded AC outlet only.
- To reduce the risk of fire or electric shock, install this UPS in a temperature and humidity controlled, indoor environment, free of conductive contaminants. Ambient temperature must not exceed 104°F (40°C). Do not operate near water or excessive humidity (95% max).

- Do not remove or unplug the input cord when the UPS is turned on. This removes the safety ground from the UPS and the equipment connected to the UPS.
 - To comply with international standards and wiring regulations, the total equipment connected to the output of this UPS must not have an earth leakage current greater than 2.75 milliamperes.
 - The wall outlet must be within 2 meters of the equipment and accessible to the operator. The on/off switch on the UPS does not electrically isolate the internal parts. Unplug the input cord from the wall outlet when disconnecting the unit for long periods of time.
 - Please note that the output sockets on the UPS are electrically live whenever the UPS Output | On button is pressed, even if the input cord is disconnected.
-

Sikkerhedsanvisninger

VIGTIGE SIKKERHEDSANVISNINGER GEM DISSE ANVISNINGER DENNE BRUGERVEJLEDNING INDEHOLDER VIGTIGE SIKKERHEDSANVISNINGER



FARE

Denne UPS indeholder LIVSFARLIG HØJSPÆNDING. Alle reparationer og vedligeholdelse bør kun udføres af en AUTORISERET SERVICETEKNIKER. Ingen af UPS'ens indvendige dele kan repareres af brugeren.



ADVARSEL

- Batterier kan udgøre en fare for elektrisk stød eller forbrændinger forårsaget af høj kortslutningsspænding. De korrekte forholdsregler bør overholdes.
- Korrekt bortskaffelse af batterier er påkrævet. Overhold gældende lokale regler for bortskaffelsesprocedurer.
- Denne UPS indeholder egen energiforsyning (batterier). Udgangsstikkene kan lede strøm, selv når UPS'en ikke er tilsat en AC-energikilde.
- Skaf dig aldrig af med batterierne ved at brænde dem. Batterierne kan eksplodere ved åben ild.
- Batterierne bør aldrig åbnes eller skilles ad. Elektrolyt, der slipper ud, er skadelig for hud og øjne og kan være overordentlig giftig.

- Brug kun den netledning, som blev leveret med UPS'en. Denne netledning er tilsluttet ifølge specifikationerne for NEC (National Electrical Code). Sørg for, at stikket, som skal bruges til UPS'en, er tilsluttet ifølge de samme specifikationer for at undgå skade på dit udstyr. Sørg for, at der er overstrømsbeskyttelse på AC-stikket på monteringsstidspunktet. Sørg for, at stikket er sat helt ind i stikkontakten. Brug en enfaset, -trelede AC-kilde, som er jordet.
 - Installér denne UPS i et temperatur- og fugtighedskontrolleret indendørsmiljø, frit for ledende forureningsstoffer for at formindske risikoen for brand og elektrisk stød. Rumtemperaturen må ikke overstige 40°C. UPS'en bør ikke betjenes nær vand eller høj fugtighed (maksimalt 95%).
 - Netledningen må ikke fjernes og stikket må ikke trækkes ud, mens UPS'en er tændt. Dette fjerner sikkerhedsjorden fra UPS'en og fra det udstyr, der er sat til.
 - I overensstemmelse med internationale normer og bestemmelser for el-installation må det udstyr, der er forbundet til udgangen af denne UPS, tilsammen ikke overskride en jordafdelingsspænding på mere end 2,75 milliamperere.
 - Stikkontakten må højst være 2 meter fra udstyret og tilgængelig for brugeren. UPS'ens afbryderkontakt isolerer ikke elektrisk de indvendige dele. Træk derfor stikket ud af kontakten, hvis enheden er slukket i lang tid ad gangen.
 - Bemærk venligst, at stikkontakterne på UPS'en er strømførende, når knappen UPS "**Output | On**" er trykket ned, selvom indgangsledningen ikke er tilsluttet.
-

Belangrijke Veiligheidsinstructies

BELANGRIJKE VEILIGHEIDSINSTRUCTIES BEWAAR DEZE INSTRUCTIES DEZE HANDLEIDING BEVAT BELANGRIJKE VEILIGHEIDSINSTRUCTIES



GEVAAR

Deze UPS bevat LEVENSGEVAARLIJKE ELEKTRISCHE SPANNING. Alle reparaties en onderhoud dienen UITSLUITEND DOOR ERKEND SERVICEPERSONEEL te worden uitgevoerd. Er bevinden zich GEEN ONDERDELEN in de UPS die DOOR DE GEBRUIKER kunnen worden GEREPAREERD.



OPGELET

- Batterijen kunnen gevaar voor elektrische schok of brandwonden veroorzaken als gevolg van un hoge kortsluitstroom. Volg de desbetreffende aanwijzingen op.
- De batterijen moeten op de juiste wijze worden opgeruimd. Raadpleeg hiervoor uw plaatselijke voorschriften.
- Deze UPS bevat zijn eigen energiebron (batterijen). De uitgangsaansluitingen kunnen onder spanning staan wanneer de UPS niet op een wisselstroom voeding is aangesloten.
- Nooit batterijen in het vuur gooien. De batterijen kunnen ontploffen.
- Nooit batterijen openen of beschadigen. Vrijkomend elektrolyt is schadelijk voor de huid en ogen, en kan uiterst giftig zijn.
- Uitsluitend het elektriciteits snoer gebruiken dat bij deze UPS wordt geleverd. Het snoer is volgens de specificaties van de IEC (International Electrical Code) bedraad. Controleer of wandcontactdoos waarop de UPS wordt aangesloten, volgens deze zelfde specificaties is bedraad teneinde schade aan uw apparatuur te voorkomen. Controleer of het wandcontactdoos voldoende is afgezeherd. Controleer of de voedingsstekker goed in het stopcontact is gestoken. Gebruik uitsluitend een enkelfasig geaard wandcontactdoos met randaarde.
- Teneinde de kans op brand of elektrische schok te verminderen dient deze UPS in een gebouw met temperatuur- en vochtigheidsregeling te worden geïnstalleerd, waar geen geleidende verontreinigingen aanwezig zijn. De omgevingstemperatuur mag 40 °C niet overschrijden. Niet gebruiken in de buurt van water of bij zeer hoge vochtigheid (max. 95%).

- Verwijder de ingang snoer niet of haal de stekker van de ingang snoer er niet uit terwijl de UPS aan staat. Hierdoor zou de UPS en uw aangesloten apparatuur geen aardebeveiliging meer hebben.
- Om aan de internationale normen en bedradingsvoorschriften te voldoen mag de gehele apparatuur die op de uitgang van deze UPS is aangesloten, geen aardlekstroom van meer dan 2,75 milliampère hebben.
- De hoofdvoedingcontactdoos moet zich op minder dan 2 meter van de apparatuur bevinden en makkelijk bereikbaar zijn voor de gebruiker. De aan/uit-schakelaar op de UPS biedt geen elektrische isolatie voor de inwendige onderdelen. De stekker uit de voedingcontactdoos halen wanneer het apparaat voor lange tijd niet wordt gebruikt.
- Neem er nota van dat de uitgang aansluit punten op de UPS altijd onder stroom staan wanneer de belastingschakelaar (|) wordt ingedrukt, ongeacht de aanwezigheid van de voeding.

Tarkeita Turvaohjeita

TÄRKEITÄ TURVAOHJEITA - SUOMI SÄILYÄ NÄMÄ OHJEET TÄMÄ OPAS SISÄLTÄÄ TÄRKEITÄ TURVAOHJEITA

VAARA



Tämä UPS sisältää HENGENVAARALLISIA JÄNNITTEITÄ. Kaikki korjaukset ja huollot on jätettävä VAIN VALTUUTETUN HUOLTOHENKILÖN TOIMEKSI. UPS ei sisällä MITÄÄN KÄYTTÄJÄN HUOLLETTAVIA OSIA.

VARO



- Akusto saattaa aiheuttaa sähköiskun tai syttyä tuleen, jos akusto kytketään oikosulkuun. Noudata asianmukaisia ohjeita.
- Akusto täytyy hävittää säädösten mukaisella tavalla. Noudata paikallisia määräyksiä.
- Tämä UPS sisältää oman energialähteen (akuston). Ulostuloliittimissä voi olla jännite, kun UPS ei ole liitettyä verkkojännitteeseen.
- Älä koskaan heitä akkuja tuleen. Ne voivat räjähtää.
- Älä avaa tai riko akkuja. Paljastunut elektrolyytti on vahingollinen iholle ja silmille ja voi olla erittäin myrkyllistä.

- Käytä vain tämän UPS-laitteen mukana toimitettua virtakaapelia, joka on kytketty kansallisten määräysten mukaisesti. Varmista, että UPS-laitteen kanssa käytetty pistorasia on johdotettu näiden samojen määritysten mukaisesti, jotta laitteet eivät vahingoittuisi. Varmista myös, että asennuksen yhteydessä vaihtovirran pistorasia varustetaan ylivirtasuojauksella. Työnnä kosketin kokonaan pistorasiaan. Käytä pelkästään yksivaihteista, kolmijohtoista, maadoitettua verkkopistorasiaa.
 - Vähentääksesi tulipalon ja sähköiskun vaaraa asenna tämä UPS sisätiloihin, joissa lämpötila ja kosteus on säädettävissä ja joissa ei ole virtaa johtavia epäpuhtauksia. Ympäristön lämpötila ei saa ylittää 40 °C. Älä käytä lähellä vettä ja vältä kosteita tiloja (95 % maksimi).
 - Älä poista tai irrota sisääntulojohtoa, kun UPS on kytkettynä. Tämä poistaa turvamaadoituksen UPS-laitteesta ja siihen liitetystä laitteistosta.
 - Kansainväliset normit ja johdotusmääräykset vaativat, että kaikkien tämän UPS-laitteen ulostulokytkentöjen yhteinen maavuotovirta ei ylitä 2,75 milliampeeria (mA).
 - Päävirtapistokkeen täytyy olla 2 m:n säteellä laitteistosta ja käyttäjän saatavilla. UPS-laitteen virtakytkin ei erota sisäosia verkkojännitteestä. Irrota sisääntulopistoke, jos kytket laitteen pois käytöstä pitkäköksi ajaksi.
 - Ota myös huomioon, että UPS-laitteen ulostuloliittimissä on jännite aina kun painetaan UPSin lähtöteho PÄÄLLÄ -painiketta (|), riippumatta siitä, onko tulokaapeli kytkettynä tai ei.
-

Consignes de sécurité

CONSIGNES DE SÉCURITÉ IMPORTANTES CONSERVER CES INSTRUCTIONS CE MANUEL CONTIENT DES CONSIGNES DE SÉCURITÉ IMPORTANTES

DANGER!



Cet onduleur contient des TENSIONS MORTELLES. Toute opération d'entretien et de réparation doit être EXCLUSIVEMENT CONFIEE A UN PERSONNEL QUALIFIE AGRÉÉ. AUCUNE PIÈCE RÉPARABLE PAR L'UTILISATEUR ne se trouve dans l'onduleur.

ATTENTION!



- Les batteries peuvent présenter un risque de décharge électrique ou de brûlure par des courts-circuits de haute intensité. Prendre les précautions nécessaires.
- Une mise au rebut réglementaire des batteries est obligatoire. Consulter les règlements en vigueur dans votre localité.
- Cet onduleur renferme sa propre source d'énergie (batteries). Les prises de sortie peuvent être sous tension même lorsque l'onduleur n'est pas branché sur le secteur.
- Ne jamais jeter les batteries au feu. L'exposition aux flammes risque de les faire exploser.
- Ne jamais ouvrir ou mutiler des batteries. L'électrolyte dégagé est nuisible à la peau et aux yeux et peut s'avérer extrêmement toxique.
- Utiliser uniquement le cordon d'alimentation fourni avec l'onduleur. Ce cordon est câblé conformément aux spécifications du Code électrique international (CEI). S'assurer que le câblage de la prise secteur devant être utilisée avec l'onduleur est lui aussi conforme à ces spécifications pour éviter d'endommager le matériel. S'assurer que la prise secteur est protégée contre les surcharges au moment de l'installation. S'assurer que la prise d'entrée est insérée à fond dans la prise secteur. Utiliser uniquement une prise secteur à trois fils, monophasée et mise à la terre.
- Pour réduire les risques d'incendie et de décharge électrique, installer l'onduleur uniquement à l'intérieur, dans un lieu dépourvu de matériaux conducteurs, où la température et l'humidité ambiantes sont contrôlées. La température ambiante ne doit pas dépasser 40 °C. Ne pas utiliser à proximité d'eau ou dans une atmosphère excessivement humide (95 % maximum).

- Ne pas retirer le cordon d'alimentation lorsque l'onduleur est sous tension sous peine de supprimer la mise à la terre de l'onduleur et du matériel connecté.
 - Afin d'être conforme aux normes et règlements internationaux de câblage, le courant de fuite à la terre de la totalité du matériel branché sur la sortie de l'onduleur ne doit pas dépasser 2,75 mA.
 - La prise secteur doit se trouver à moins de 2 m du matériel et être accessible à l'utilisateur. L'interrupteur de ON/OFF (marche/arrêt) de l'onduleur n'assure pas l'isolation électrique des pièces internes. Débrancher le cordon d'alimentation de la prise secteur en cas de déconnexion de l'appareil pendant une période prolongée.
 - Noter que les prises de sortie de l'onduleur sont sous tension lorsque Output | On button est enfoncé, même si le cordon d'alimentation est débranché de la prise secteur.
-

Sicherheitswarnungen

WICHTIGE SICHERHEITSANWEISUNGENANLEITUNGEN AUFBEWAHREN.DIESES HANDBUCH ENTHÄLT WICHTIGE SICHERHEITSANWEISUNGEN.

WARNUNG



Die USV führt lebensgefährliche Spannungen. Alle Reparatur- und Wartungsarbeiten sollten nur von Kundendienstfachleuten durchgeführt werden. Die USV enthält keine vom Benutzer zu wartenden Komponente

VORSICHT!



- Batterien können aufgrund des hohen Kurzschlußstroms Elektroschocks oder Verbrennungen verursachen. Die entsprechenden Vorsichtsmaßnahmen sind unbedingt zu beachten.
- Die Batterien müssen ordnungsgemäß entsorgt werden. Hierbei sind die örtlichen Bestimmungen zu beachten.en.
- Diese USV ist mit einer eigenen Energiequelle (Batterie) ausgestattet. An den Ausgangssteckdosen kann auch dann Spannung anliegen, wenn die USV nicht an einer Wechselspannungsquelle angeschlossen ist.
- Batterien niemals verbrennen, da sie explodieren können.
- Batterien nie öffnen oder anderweitig beschädigen. Der darin enthaltene Elektrolyt wirkt ätzend auf Haut und Augen. Es besteht Vergiftungsgefahr!

- Nur das Netzkabel verwenden, das dieser USV beiliegt. Dieses Kabel ist gemäß den Spezifikationen des International Electrical Code (IEC) verdrahtet. Sicherstellen, daß die Wandsteckdose, die für die USV verwendet wird, gemäß den selben Spezifikationen verdrahtet ist, um eine eschädigung der Geräte zu vermeiden. Sicherstellen, daß bei Installation ein Überstromschutz für die Wechselstromsteckdose vorhanden ist. Sicherstellen, daß der Eingangsstecker vollständig in die Wandsteckdose eingesteckt wurde. Nur eine einphasige, geerdete Dreileiter-Wechselstromsteckdose verwenden.
 - Um die Brand- oder Elektroschockgefahr zu verringern, diese USV nur in Gebäuden mit kontrollierter Temperatur und Luftfeuchtigkeit installieren, in denen keine leitenden Schmutzstoffen vorhanden sind. Die Umgebungstemperatur darf 40°C nicht übersteigen. Die USV nicht in der Nähe von Wasser oder in extrem hoher Luftfeuchtigkeit (max. 95 %) betreiben.
 - Das Eingangskabel nicht entfernen oder abziehen, während die USV eingeschaltet ist, weil hierdurch die Sicherheitserdung von der USV und den daran angeschlossenen Geräten entfernt wird.
 - Um internationale Normen und Verdrahtungsvorschriften zu erfüllen, dürfen die an den Ausgang dieser USV angeschlossenen Geräte zusammen einen Erdschlußstrom von insgesamt 2,75 Milliampere nicht überschreiten.
 - Die Netzsteckdose, die zur Hauptversorgung verwendet wird, darf sich nicht weiter als 2 Meter vom Gerät weg befinden und muß für den Bediener erreichbar sein. Der Ein-/Aus-Schalter der USV bietet keine elektrische Isolation der internen Teile. Wenn das Gerät längere Zeit nicht benutzt wird, sollte es von der Netzsteckdose abgezogen werden.
 - Beachten, daß die Ausgangssteckdosen auf der USV jedesmal Strom führen, wenn der Belastungsschalter (|) gedrückt wird, ungeachtet dessen, ob die USV mit Strom versorgt wird.
-

Προειδοποιήσεις Ασφάλειας

ΣΗΜΑΝΤΙΚΕΣ ΟΔΗΓΙΕΣ ΑΣΦΑΛΕΙΑΣ ΦΥΛΑΞΤΕ ΑΥΤΕΣ ΤΙΣ ΟΔΗΓΙΕΣ ΤΟ ΠΑΡΟΝ ΕΓΧΕΙΡΙΔΙΟ ΠΕΡΙΕΧΕΙ ΣΗΜΑΝΤΙΚΕΣ ΟΔΗΓΙΕΣ ΑΣΦΑΛΕΙΑΣ

ΚΙΝΔΥΝΟΣ



Αυτό το UPS περιέχει ΘΑΝΑΤΗΦΟΡΑ ΤΑΣΗ. Όλες οι επισκευές και οι συντηρήσεις πρέπει να γίνονται ΜΟΝΟ ΑΠΟ ΕΞΟΥΣΙΟΔΟΤΗΜΕΝΟ ΓΙΑ ΤΗ ΣΥΝΤΗΡΗΣΗ ΠΡΟΣΩΠΙΚΟ. Το UPS ΔΕΝ ΠΕΡΙΕΧΕΙ ΚΑΝΕΝΑ ΕΞ ΑΡΤΗΜΑ ΠΟΥ ΝΑ ΜΠΟΡΕΙ ΝΑ ΕΠΙΣΚΕΥΑΣΤΕΙ ΑΠΟ ΤΟ ΧΡΗΣΤΗ.

ΠΡΟΣΟΧΗ



- Οι συσσωρευτές μπορεί να προκαλέσουν ηλεκτροπληξία ή έγκαυμα από υψηλό ρεύμα βραχυκυκλώματος. Λαμβάνετε τις κατάλληλες προφυλάξεις.
- Απαιτείται σωστή διάθεση των συσσωρευτών. Δείτε τους τοπικούς κανονισμούς που αφορούν τις απαιτήσεις διάθεσής τους.
- Το συγκεκριμένο UPS περιέχει τη δική του πηγή ενέργειας (συσσωρευτές). Οι ρευματοδότες εξόδου μπορεί να έχουν ενεργό τάση ακόμη και όταν το UPS δεν είναι συνδεδεμένο σε πηγή εναλλασσόμενου ρεύματος (AC).
- Ποτέ μην πετάτε τους συσσωρευτές στη φωτιά, γιατί μπορεί να εκραγούν.
- Ποτέ μην ανοίγετε ή καταστρέψετε τους συσσωρευτές. Ο ηλεκτρολύτης που θα απελευθερωθεί μπορεί να προκαλέσει βλάβη στο δέρμα και τα μάτια, και μπορεί να είναι εξαιρετικά τοξικός.
- Χρησιμοποιείτε μόνο το καλώδιο τροφοδοσίας που παρέχεται μαζί με το UPS. Το καλώδιο αυτό είναι κατασκευασμένο σύμφωνα με τις προδιαγραφές του Εθνικού Ηλεκτρικού Κώδικα (National Electrical Code) (NEC). Βεβαιωθείτε ότι η εντοιχισμένη πρίζα που πρόκειται να χρησιμοποιήσετε με το UPS είναι καλωδιωμένη σύμφωνα με τις ίδιες προδιαγραφές, ώστε να αποφευχθεί τυχόν βλάβη στον εξοπλισμό σας. Βεβαιωθείτε ότι υπάρχει σύστημα προστασίας από υπερένταση για την πρίζα εναλλασσόμενου ρεύματος (AC) την ώρα της εγκατάστασης. Βεβαιωθείτε ότι ο ρευματολήπτης εισόδου έχει τοποθετηθεί σωστά στην πρίζα τοίχου. Χρησιμοποιήστε μόνο μονοφασική, τρισύρματη, γειωμένη πρίζα AC.

- Για να μειώσετε τον κίνδυνο πυρκαγιάς ή ηλεκτροπληξίας, εγκαταστήστε το συγκεκριμένο UPS σε εσωτερικό χώρο με ελεγχόμενη θερμοκρασία και υγρασία, ο οποίος να μην περιέχει αγωγίμα υλικά. Η θερμοκρασία περιβάλλοντος δεν πρέπει να ξεπερνάει τους 40° C. Μη χρησιμοποιείτε το UPS κοντά σε νερό ή υπερβολική υγρασία (μέγιστη τιμή: 95%).
 - Μην βγάζετε από την πρίζα το καλώδιο τροφοδοσίας όταν το UPS είναι ανοιχτό. Μ' αυτό τον τρόπο αφαιρείτε τη γείωση ασφαλείας από το UPS και από τον εξοπλισμό που είναι συνδεδεμένος με το UPS.
 - Για να συμφωνεί με τα διεθνή πρότυπα και τους κανονισμούς καλωδίωσης, το ρεύμα διαρροής προς τη γη ολόκληρου του εξοπλισμού, που είναι συνδεδεμένος με την έξοδο του συγκεκριμένου UPS, δεν πρέπει να είναι μεγαλύτερο από 2,75 mA.
 - Η πρίζα τοίχου δεν πρέπει να βρίσκεται σε απόσταση μεγαλύτερη από 2 μέτρα από τον εξοπλισμό και πρέπει να είναι προσπελάσιμη στο χρήστη. Ο διακόπτης on/off του UPS δεν απομονώνει ηλεκτρικά τα εσωτερικά μέρη. Όταν αποσυνδέετε τη μονάδα για μεγάλα χρονικά διαστήματα, βγάζετε το καλώδιο εισόδου από την πρίζα.
 - Σημειώστε ότι οι υποδοχές εξόδου του UPS βρίσκονται υπό ενεργό τάση όποτε είναι πατημένο το πλήκτρο Έξοδος Ενεργοποιημένη (|), ακόμη και αν το καλώδιο τροφοδοσίας είναι αποσυνδεδεμένο.
-

Avvisi di sicurezza

IMPORTANTI ISTRUZIONI DI SICUREZZA CONSERVARE QUESTE ISTRUZIONI QUESTO MANUALE CONTIENE IMPORTANTI ISTRUZIONI DI SICUREZZA

PERICOLO



la TENSIONE contenuta in questo gruppo statico di continuità è LETALE. Tutte le operazioni di riparazione e di manutenzione devono essere effettuate **ESCLUSIVAMENTE DA PERSONALE TECNICO AUTORIZZATO**. All'interno del gruppo statico di continuità **NON** vi sono **PARTI RIPARABILI DALL'UTENTE**.

ATTENZIONE



- le batterie possono presentare rischio di scossa elettrica o di ustioni provocate da alta corrente dovuta a corto circuito. Osservare le apposite istruzioni.
- le batterie devono essere smaltite in modo corretto. Per i requisiti di smaltimento fare riferimento alle disposizioni locali.
- questo gruppo statico di continuità contiene una fonte di energia autonoma (le batterie). Le prese di uscita possono condurre tensione energizzata quando il gruppo statico di continuità non è collegato con una fonte di alimentazione a corrente alternata.
- non gettare mai le batterie nel fuoco poichè potrebbero esplodere se esposte alle fiamme.
- mai aprire nè mutilare le batterie poichè l'elettrolita da esse rilasciato è nocivo alla cute e agli occhi e può essere altamente tossico.
- usare esclusivamente il cavo di alimentazione in dotazione con il gruppo statico di continuità. Il cavo di alimentazione è cablato in conformità con le specifiche del Codice Elettrico Internazionale (IEC). Assicurarsi che la presa a muro nella quale si deve inserire il gruppo statico di continuità sia cablata in conformità con le medesime specifiche onde evitare di danneggiare l'apparecchiatura. Accertarsi che al momento dell'installazione la presa a corrente alternata sia protetta contro le sovracorrenti. Assicurarsi che la spina di ingresso sia completamente inserita nella presa a muro. Usare esclusivamente una presa a corrente alternata monofase, a tre fili, collegata a terra.

- per ridurre il rischio di incendio o di scossa elettrica, installare il gruppo statico di continuità in un ambiente interno a temperatura ed umidità controllata, privo di agenti contaminanti conduttivi. La temperatura ambiente non deve superare i 40°C. Non utilizzare l'unità in prossimità di acqua o in presenza di umidità eccessiva (95% max).
- non rimuovere nè scollegare il cavo di ingresso quando il gruppo statico di continuità è acceso poichè in tal modo si disattiverrebbe il collegamento a terra di sicurezza del gruppo statico di continuità e dell'apparecchiatura ad esso collegata.
- per conformità con gli standard internazionali e con le norme in merito al cablaggio, tutta l'apparecchiatura collegata con l'uscita del gruppo statico di continuità non deve avere una corrente di dispersione di terra superiore a 2,75 milliampere.
- la presa di alimentazione principale non deve trovarsi a oltre 2 metri dall'apparecchiatura e deve essere accessibile all'operatore. L'interruttore on/off del gruppo statico di continuità non isola elettricamente i componenti interni. Scollegare l'unità dalla presa di alimentazione quando rimane in riposo per lunghi periodi di tempo.
- si noti che le prese di alimentazione di uscita del gruppo statico di continuità sono elettricamente energizzate ogniqualvolta viene premuto l'interruttore azzurro di (|) attivazione uscita, a prescindere dal fatto che il gruppo statico di continuità sia alimentato o meno.

Viktig Sikkerhetsinformasjon

FARLIG



Denne UPS'en inneholder LIVSFARLIGE SPENNINGER. All reparasjon og service må kun utføres av AUTORISERT SERVICEPERSONALE. BRUKERE KAN IKKE UTFØRE SERVICE PÅ NOEN AV DELENE i UPS'en.

FORSIKTIG



- Batterier kan forårsake elektriske støt eller forbrenning på grunn av høy kortslutningsstrøm. Følg instruksene.
- Batterier må fjernes på korrekt måte. Se lokale forskrifter vedrørende krav om fjerning av batterier.
- Denne UPS'en har en egen energikilde (batterier). Stikkontaktene kan være strømførende selv om UPS'en ikke er tilsluttet en vekselstrømforsyning.
- Kast aldri batterier i flammer, da de kan eksplodere, hvis de utsettes for åpen ild.

- Batterier må aldri åpnes eller ødelegges. Frigjorte elektrolytter er skadelige for hud og øyne og kan være ekstremt giftige.
 - Bruk kun den strømforsyningskabelen som følger med denne UPS'en. Strømkabelen er koblet i overensstemmelse med spesifikasjonene i IECs (International Electrical Code) bestemmelser. Sjekk at stikkkontakten som anvendes for UPS'en er koblet i overensstemmelsen med de samme spesifikasjonene for å unngå skade på utstyr. Sjekk også at det finnes overstrømvern for vekselstrømkontakten under installeringen. Sjekk at støpselet er ført helt inn i stikkkontakten. Bruk kun en en-faset, tre-trådet, jordet vekselstrømkontakt.
 - For å redusere fare for brann eller elektriske støt, bør denne UPS'en installeres i et innendørs miljø med kontrollert temperatur og luftfuktighet som er fritt for ledende, forurensende stoffer. Romtemperaturen må ikke overskride 40°C. Den må ikke brukes i nærheten av vann eller ved meget høy luftfuktighet (95% maks.).
 - Strømforsyningskabelen må ikke fjernes eller trekkes ut når UPS'en er på, slik at ikke sikkerhetsjordingen fjernes fra UPS'en og det utstyret som er forbundet med den.
 - Alt utstyr som er forbundet med utgangen av denne UPS'en må ikke ha en sterkere total lekkasjestrøm enn 2,75 milliampere for å være i overensstemmelse med internasjonale standarder og forkablingsbestemmelser.
 - Stikkkontakten må befinne seg innen 2 m fra utstyret og må være tilgjengelig for operatøren. Av/På-bryteren på UPS'en isolerer ikke de interne delene. Trekk ut ledningen fra stikkkontakten når utstyret frakoples over lengre tidsrom.
 - UPS'ens stikkontakter for utgangsstrømforsyning er strømførende når lastbryteren (|) trykkes, uavhengig av strømforsyningen.
-

Regulamentos de Segurança

INSTRUÇÕES DE SEGURANÇA IMPORTANTES GUARDE ESTAS INSTRUÇÕES ESTE MANUAL CONTÉM INSTRUÇÕES DE SEGURANÇA IMPORTANTES

CUIDADO



A UPS contém VOLTAGEM MORTAL. Todos os reparos e assistência técnica devem ser executados SOMENTE POR PESSOAL DA ASSISTÊNCIA TÉCNICA AUTORIZADO. Não há nenhuma PEÇA QUE POSSA SER REPARADA PELO USUÁRIO dentro da UPS.

PERIGO



- As baterias podem apresentar o risco de choque elétrico, ou queimaduras provenientes de alta corrente de curto-circuito. Observe as instruções adequadas.
- Siga as instruções apropriadas ao desfazer-se das baterias. Consulte os códigos do local para maiores informações sobre os regulamentos de descarte de produtos.
- Esta UPS contém sua própria fonte de energia (baterias). Os receptáculos de saída podem conter voltagem ativa quando a UPS não se encontra conectada a uma fonte de alimentação de corrente alternada.
- Nunca jogue as baterias no fogo, porque há risco de explosão.
- Nunca abra ou danifique as baterias. O eletrólito liberado é prejudicial à pele e aos olhos e pode ser extremamente tóxico.
- Utilize somente o cabo de alimentação elétrica fornecido com a UPS. Este cabo foi fabricado de acordo com as especificações do IEC (International Electrical Code). Certifique-se de que a tomada de parede foi montada de acordo com estas mesmas especificações a fim de evitar danos ao seu equipamento. Na hora da instalação, verifique se foi fornecida uma proteção contra sobrecarga de circuito para a tomada de corrente alternada. Verifique se o plugue de entrada esta completamente inserido na tomada de parede. Utilize somente uma tomada de corrente alternada aterrada, trifilar, monofásica.
- Para reduzir o risco de incêndios ou choques elétricos, instale a UPS em ambiente interno com temperatura e umidade controladas e livres de contaminadores condutíveis. A temperatura ambiente não deve exceder 40 °C. Não opere próximo a água ou em umidade excessiva (máx: 95%).
- Não remova ou desconecte o cabo de entrada quando a UPS estiver ligada. Isto removerá o aterramento de segurança da UPS e do equipamento conectado.

- Para estar de acordo com os padrões internacionais e os regulamentos de fiação, o equipamento total conectado à saída desta UPS não deve ter uma corrente de fuga à terra maior que 2,75 miliampères.
 - O soquete de alimentação principal deve estar no máximo dois metros do equipamento e acessível ao operador. O interruptor on/off da UPS não isola eletricamente as peças internas. Desconecte-o do soquete de alimentação se não for usá-lo por um longo período.
 - Favor observar que o soquete de alimentação de saída na UPS estará eletricamente ativo todas as vezes que o interruptor (|) estiver pressionado, indiferente à presença de energia elétrica na rede de alimentação.
-

Предупреждения по мерам безопасности

ВАЖНЫЕ УКАЗАНИЯ ПО МЕРАМ БЕЗОПАСНОСТИ СОХРАНИТЕ ЭТИ УКАЗАНИЯ ДАННОЕ РУКОВОДСТВО СОДЕРЖИТ ВАЖНЫЕ УКАЗАНИЯ ПО МЕРАМ БЕЗОПАСНОСТИ

О П А С Н О



В данном ИБП имеются СМЕРТЕЛЬНО ОПАСНЫЕ НАПРЯЖЕНИЯ. Все работы по ремонту и обслуживанию должны выполняться ТОЛЬКО УПОЛНОМОЧЕННЫМ ОБСЛУЖИВАЮЩИМ ПЕРСОНАЛОМ. Внутри ИБП нет узлов, ОБСЛУЖИВАЕМЫХ ПОЛЬЗОВАТЕЛЕМ.

О С Т О Р О Ж Н О



- Аккумуляторы могут вызвать опасность поражения электрическим током или ожога от тока короткого замыкания. Соблюдайте соответствующие меры предосторожности.
- Необходимо соблюдать правила утилизации аккумуляторов. Обратитесь к местным нормативным актам за информацией о требованиях к утилизации.
- Данный ИБП содержит собственные источники энергии (аккумуляторы). На выходных розетках может иметься напряжение, даже когда ИБП не подключен к сети переменного тока.
- Никогда не бросайте аккумуляторы в огонь. Аккумуляторы могут взорваться под воздействием огня.

- Никогда не открывайте и не деформируйте аккумуляторы. Вытекающий электролит опасен для кожи и глаз, и может быть крайне токсичным.
 - Пользуйтесь только сетевым шнуром, поставляемым в комплекте с ИБП. Разводка сетевого шнура выполнена в соответствии с требованиями Международных электрических норм (IEC). Во избежание повреждения Вашего оборудования убедитесь в том, что разводка настенной розетки, которая будет использоваться с ИБП, выполнена в соответствии с теми же требованиями. Убедитесь во время установки в том, что розетка оснащена средствами защиты от перегрузки по току. Убедитесь в том, что входная вилка надежно вставлена в настенную розетку. Пользуйтесь только однофазной трехпроводной заземленной розеткой переменного тока.
 - Для снижения опасности пожара или поражения электрическим током устанавливайте ИБП в закрытом помещении с контролируемой температурой и влажностью, в котором отсутствуют проводящие загрязняющие вещества. Температура окружающего воздуха не должна превышать 40°C. Не эксплуатируйте устройство около воды или в местах с повышенной влажностью (макс. 95%).
 - Не отсоединяйте сетевой шнур и не извлекайте его вилку из розетки при включенном ИБП. При этом защитное заземление отключается от ИБП и от оборудования, подключенного к ИБП.
 - Для обеспечения соблюдения требований международных стандартов и требований к разводке электрических цепей, суммарная величина тока утечки на землю всего оборудования, подключенного к выходу ИБП, не должна превышать 2,75 миллиампера.
 - Настенная розетка должна находиться в пределах 2 метров от оборудования и быть доступной для оператора. Выключатель ИБП не отключает внутренние узлы от входного электропитания. При отключении оборудования на продолжительные интервалы времени отсоедините входной сетевой шнур от настенной розетки.
 - Пожалуйста, обратите внимание на то, что выходные розетки ИБП находятся под электрическим напряжением, если была нажата кнопка включения выхода (|) ИБП, даже если входной сетевой шнур отключен.
-

Advertencias de Seguridad

INSTRUCCIONES DE SEGURIDAD IMPORTANTES GUARDE ESTAS INSTRUCCIONES ESTE MANUAL CONTIENE INSTRUCCIONES DE SEGURIDAD IMPORTANTES



PELIGRO

Este SIE contiene VOLTAJES MORTALES. Todas las reparaciones y el servicio técnico deben ser efectuados SOLAMENTE POR PERSONAL DE SERVICIO TÉCNICO AUTORIZADO. No hay NINGUNA PARTE QUE EL USUARIO PUEDA REPARAR dentro del SIE.



PRECAUCIÓN

- Las baterías pueden presentar un riesgo de descargas eléctricas o de quemaduras debido a la alta corriente de cortocircuito. Preste atención a las instrucciones correspondientes.
- Es necesario desechar las baterías de un modo adecuado. Consulte las normas locales para conocer los requisitos pertinentes.
- Este SIE contiene su propia fuente de energía (las baterías). Los receptáculos de salida pueden transmitir corriente eléctrica aun cuando el SIE no esté conectado a un suministro de corriente alterna (c.a.).
- Nunca deseche las baterías en el fuego. Las baterías pueden explotar si se las expone a la llama.
- Nunca abra ni dañe las baterías. El electrolito que se libera es perjudicial para la piel y los ojos, y puede ser extremadamente tóxico.
- Utilice solamente el cable de entrada que se suministra con este SIE. El cable está instalado según las especificaciones del NEC (Código Eléctrico Nacional). Asegúrese de que el tomacorriente de la pared a utilizar con el SIE esté instalado según estas mismas especificaciones a fin de evitar daños en sus equipos. Asegúrese de que se coloca una protección contra sobrecorriente para el tomacorriente de c.a. en el momento de la instalación. Asegúrese de que el enchufe de entrada se inserte por completo dentro del tomacorriente de la pared. Utilice solamente un tomacorriente monofásico con tres cables de carga en c.a. con descarga a tierra.
- Para reducir el riesgo de incendio o de choque eléctrico, instale este SIE en un lugar cubierto, con temperatura y humedad controladas, libre de contaminantes conductores. La temperatura ambiente no debe exceder los 40°C. No trabaje cerca del agua o con humedad excesiva (95% máximo).

- No retire o desenchufe el cable de entrada mientras el SIE se encuentre encendido. Esto suprime la descarga a tierra de seguridad del SIE y de los equipos conectados al SIE.
- Para cumplir con los estándares internacionales y las normas de instalación, la totalidad de los equipos conectados a la salida de este SIE no debe tener una intensidad de pérdida a tierra superior a los 2,75 miliamperios.
- El tomacorriente debe encontrarse a menos de 2 metros del equipo y ser accesible para el operador. El interruptor de encendido/apagado del SIE no tiene aislación eléctrica de las partes internas. Desenchufe el cable de entrada del tomacorriente de la pared cuando desconecte la unidad durante periodos largos.
- Tenga en cuenta que los receptáculos de salida del SIE tienen corriente eléctrica siempre que se oprime el botón pulsador de conexión de salida del SIE (Output ON), aun cuando el cable de entrada esté desconectado.

Säkerhetsföreskrifter

VIKTIGA SÄKERHETSFÖRESKRIFTER SPARA DESSA FÖRESKRIFTER DENNA BRUKSANVISNING INNEHÅLLER VIKTIGA SÄKERHETSFÖRESKRIFTER

FARA



Denna UPS-enhet innehåller LIVSFARLIG SPÄNNING. ENDAST AUKTORISERAD SERVICEPERSONAL får utföra reparationer eller service. Det finns inga delar som ANVÄNDAREN KAN UTFÖRA SERVICE PÅ inuti UPS-enheten.

VIKTIGT



- Batterierna kan ge elektriska stötar eller brännskador från hög kortslutningsström. Följ tillämpliga anvisningar.
- Batterierna måste avyttras enligt anvisningarna i lokal lagstiftning.
- Denna UPS-enhet har en egen energikälla (batterier). De utgående kontakterna kan vara strömförande när UPS-enheten inte är ansluten till en växelströmkälla.
- Använda batterier får aldrig brännas upp. De kan explodera.
- Öppna aldrig batterierna eller ta isär dem. Utsläppt elektrolyt är skadlig för hud och ögon och kan vara mycket giftig.

- Använd endast den nätsladd som medföljer denna UPS-enhet. Nätsladden är kompatibel med IEC-specifikationerna (International Electrical Code). Kontrollera att det vägguttag som ska användas med UPS-enheten är draget enligt samma specifikationer, så att skada på utrustningen undviks. Kontrollera att det finns överspanningsskydd för växelströmsuttaget vid installationstillfället. Kontrollera att UPS-kontakten är ordentligt inskjuten i vägguttaget. Använd endast ett enfasigt, jordat växelströmsuttag.
 - Minska risken för brand eller elektriska stötar genom att installera denna UPS-enhet inomhus, där temperatur och luftfuktighet är kontrollerade och där inga ledande föroreningar förekommer. Omgivande temperatur får ej överstiga 40°C. Använd inte utrustningen nära vatten eller vid hög luftfuktighet (max 95 %).
 - Ta aldrig bort nätsladden när UPS-enheten är påslagen. Detta tar bort säkerhetsjordningen från både UPS-enheten och den anslutna utrustningen.
 - För att överensstämma med internationell standard och dragningsföreskrifter får inte den totala utrustning som anslutits till uttaget på denna UPS-enhet ha jordanslutningsström som överstiger 2,75 milliampere.
 - Vägguttaget får vara högst 2 meter från utrustningen och måste vara inom räckhåll för användaren. UPS-enhetens strömbrytare isolerar inte elektriskt de interna delarna. Vid längre avstängning bör nätsladden dras ur vägguttaget.
 - Observera att UPS-enhetens uttag är strömförande när laddningsströmbrytaren (Output | On button) trycks ned, oberoende av om spänningskällan är tillkopplad eller inte.
-



CHAPTER 3

INSTALLATION

The following sections describe UPS storage requirements and the installation and startup of the UPS.

Unpacking and Inspection

Carefully unpack the UPS and optional battery cabinets, making sure to retain the packaging materials. Examine each unit carefully for any signs of damage and immediately notify your distributor if damage is present.

UPS and Battery Cabinet Storage

If you plan to store the UPS or battery cabinets prior to use, store them in a cool, dry environment. Storage temperature should not exceed 35°C (95°F) in order to preserve battery life. For longer term storage, energize the UPS and battery cabinet for approximately 8 hours every 90 days in order to maintain battery charge.

Whenever the units are not energized, verify the circuit breaker on all battery cabinets is returned to the OFF (O) position (see Figure 4 on page 31).

UPS and Battery Cabinet Installation

Use the following procedure to install the UPS and optional battery cabinets:

1. Place the UPS near the equipment to be protected. The UPS should be well ventilated and away from direct sunlight or other heat source.

Steps 2 through 7 are for battery installation. If you do not have optional battery cabinets, skip to “UPS Startup for 120V Models” on page 31 or “UPS Startup for 208V-240V Models” on page 32.

You can install additional battery cabinets while the UPS is operating, but confirm the UPS is not in Battery mode (see page 37).

- Place the battery cabinets underneath or beside the UPS as shown in Figure 3.



NOTE For stacked cabinets, do not place more than three battery cabinets in one stack. The UPS cabinet must be placed on top of the battery cabinets.

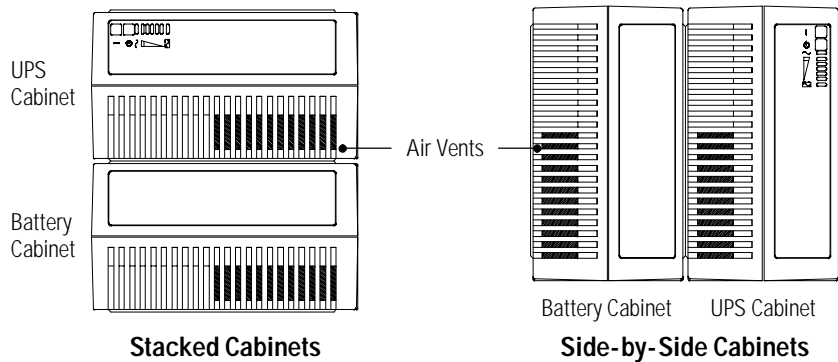


Figure 3. Cabinet Setup

- Verify the circuit breaker on all battery cabinets is in the OFF (O) position (see Figure 4).
- Plug the battery output connector on the battery cable into the external battery connector on the UPS. All battery connectors are polarized to prevent incorrect connection.
- If additional battery cabinets are to be used, plug the battery output connector of the second cabinet into the battery input connector of the first battery cabinet. Follow this procedure for each additional battery cabinet.
- Remove the breaker tie or clamp from the circuit breaker on all battery cabinets.
- Switch the circuit breaker on all battery cabinets to the ON (|) position.
- If your UPS is a 120V unit, see the following section, “UPS Startup for 120V Models.” If your UPS is a 208V-240V unit, skip to “UPS Startup for 208V-240V Models” on page 32.

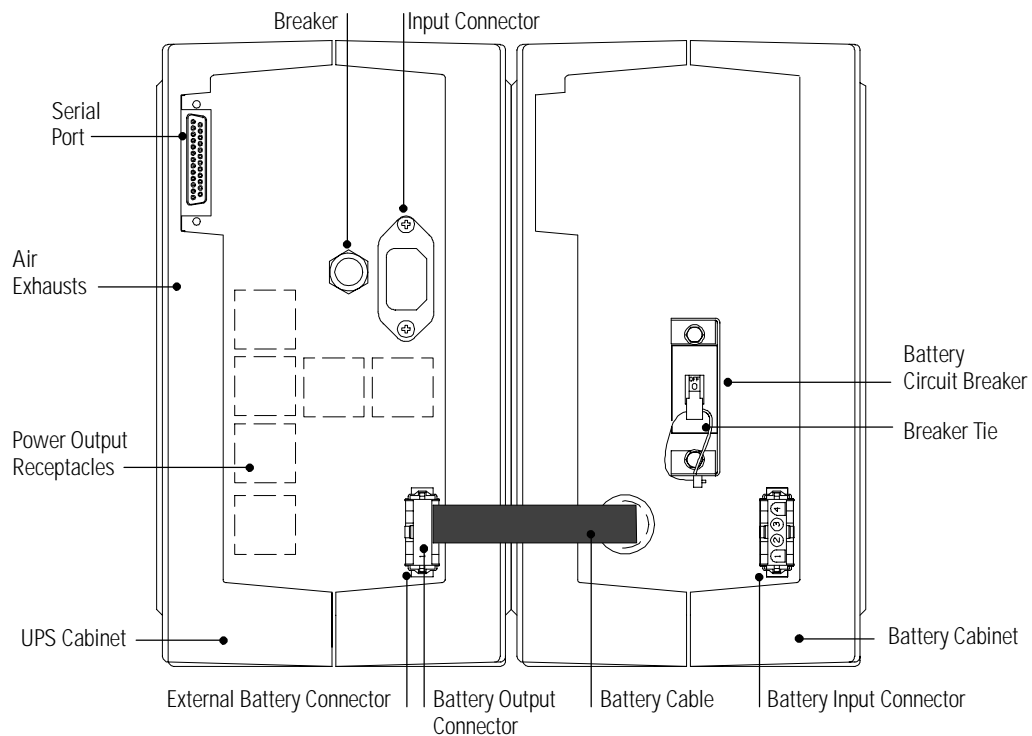


Figure 4. Typical UPS Rear Panel

UPS Startup for 120V Models

To start up the UPS for 120V models:

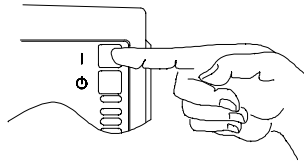
1. Plug the UPS power supply cord into the input connector on the UPS rear panel.
2. Plug the other end of the power supply cord into a grounded, three-wire, AC receptacle that has been wired in accordance with NEC specifications.

The UPS performs diagnostic tests and enters Normal mode with the equipment (load) offline. The \sim indicator remains lit. The startup should take about 15 seconds.

3. The equipment to be protected by the UPS should be powered off. Plug the equipment into the power output receptacles on the UPS rear panel.

DO NOT protect laser printers with the UPS because of the exceptionally high power requirements of the heating elements. The optional PowerPass has a surge-protected receptacle for laser printers.

4. Turn on the equipment that is connected to the UPS.
5. Press and hold the Output | On button until you hear the UPS beep (approximately one second).



The \sim indicator remains lit and the Self Test indicator turns on. The front panel displays the percentage of full load being applied to the UPS. The UPS is now in Normal mode with the load online. See “Normal Mode” on page 36 for more information.

UPS Startup for 208V-240V Models

To start up the UPS for 208V, 220V, 230V, or 240V models:

1. Steps 2 through 7 are for changing the output voltage. The output voltage is factory-configured for 230V. If you do not need to change the output voltage, skip to Step 8.
2. Plug the UPS power supply cord into the input connector on the UPS rear panel.
3. Press and hold the Output $\text{\textcircled{P}}$ Off button while plugging the other end of the power supply cord into a grounded, three-wire, AC receptacle that has been wired in accordance with national wiring rules.

Release the Output $\text{\textcircled{P}}$ Off button when the alarm beeps.

All indicators flash simultaneously.

4. Press and hold the Output | On button until the alarm beeps again.

Two indicators, corresponding with the current setting, remain flashing. The output voltage is factory-configured for 230V.

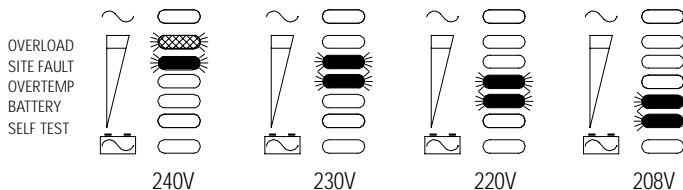



Figure 5. Output Voltage Indicators

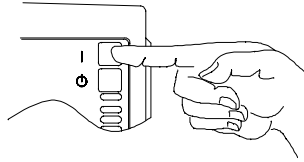
5. Press the Output  Off button to scroll through the output voltage options, top to bottom. Each time you press the button, the UPS beeps and the next two indicators flash.



NOTE If you do not save a selection within two minutes, the setup automatically aborts and switches back to the original configuration.

6. Press and hold the Output | On button until the alarm beeps to select and save the output voltage. Failure to release the button immediately after the beep will cause the UPS to abort the setup.
7. Continue to Step 10.
8. Plug the UPS power supply cord into the input connector on the UPS rear panel.
9. Plug the other end of the power supply cord into a grounded, three-wire, AC receptacle that has been wired in accordance with national wiring rules.
10. The equipment to be protected by the UPS should be powered off. Plug the equipment into the power output receptacles on the UPS rear panel.
DO NOT protect laser printers with the UPS because of the exceptionally high power requirements of the heating elements. The optional PowerPass has a surge-protected receptacle for laser printers.
11. Turn on the equipment that is connected to the UPS.

12. Press and hold the Output | On button until you hear the UPS beep (approximately one second).



The ~ indicator remains lit and the Self Test indicator turns on. The front panel displays the percentage of full load being applied to the UPS. The UPS is now in Normal mode with the load online. See “Normal Mode” on page 36 for more information.

Troubleshooting Tips

If you should encounter any problems during startup, see the troubleshooting chart on page 57.

The UPS is shipped with the battery(s) charged. However, batteries may lose some of the charge during shipping and storage. You can use the UPS immediately after unpacking, but it may not provide the full-rated backup time during a power failure. Upon initial startup, the UPS may need to operate for approximately 8 hours before the battery is fully charged and full battery-backup time is available. If the Battery Fault indicator flashes, operate the UPS for 24 hours to fully charge the battery.



CHAPTER 4

UPS OPERATION

This chapter covers the operation of the UPS including front panel functions, operating modes, using the Battery Start feature, shutting down the UPS, and using the PowerPass.

UPS Front Panel

The UPS front panel has three distinct functions:

- Displays the UPS operational mode (Normal, Bypass, or Battery).
- Displays any alarm conditions present during operation (the indicators flash).
- Displays the loading percentage during Normal mode and the battery capacity during Battery mode.

You can also use the front panel to configure UPS communication options and to configure the UPS output voltage. See “Front Panel Communications Access” on page 46 or “Changing the Output Voltage” on page 39.

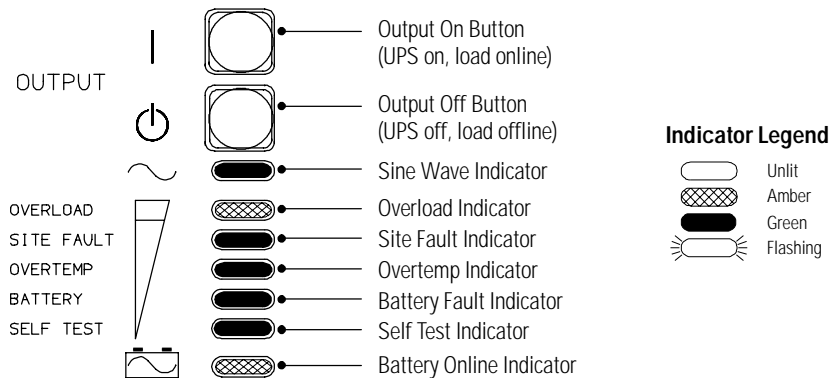


Figure 6. UPS Front Panel

Operating Modes

After you install and apply power to the UPS, the UPS filters and regulates incoming AC power, eliminating noise and voltage spikes, and provides consistent power to your equipment (see Figure 7). While power is applied to the UPS, the maintenance-free battery is automatically kept in a fully-charged condition.

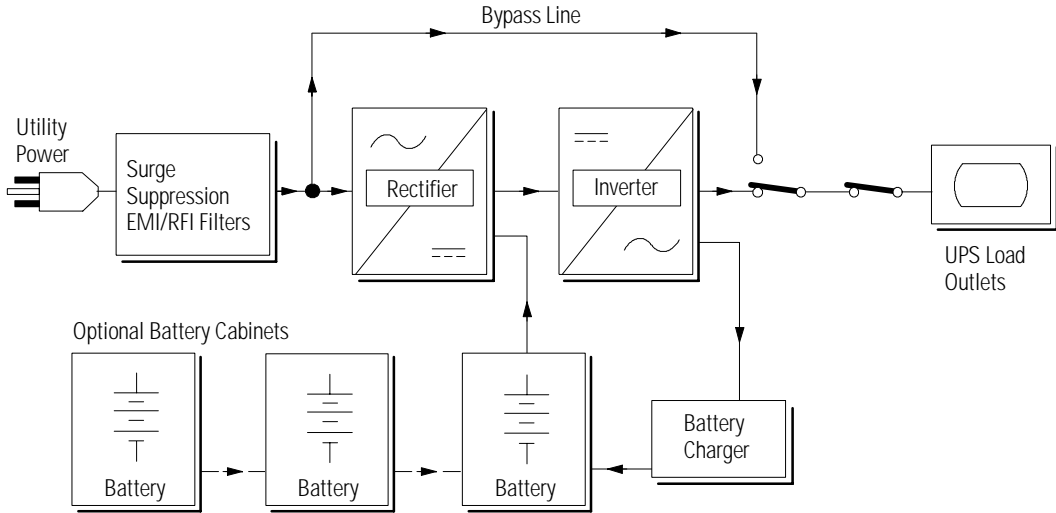


Figure 7. UPS Block Diagram

Normal Mode

During Normal mode, the ~ indicator illuminates and the front panel displays the percentage of UPS load capacity being used by the protected equipment (see Figure 8).

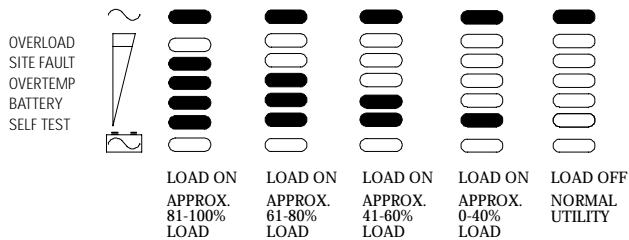

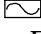


Figure 8. Normal Operation Indicators

Bypass Mode

The  indicator and the  indicator illuminate simultaneously, indicating Bypass mode (see Figure 9). When the UPS is in Bypass mode, the load is powered by utility power. However, utility power continues to be passively filtered by the UPS.

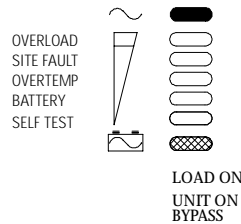
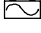


Figure 9. Bypass Operation Indicators

Battery Mode

When the UPS is operating during a power outage, the alarm beeps several times initially, and then once every 10 seconds while in Battery mode. The  indicator illuminates. The front panel displays the approximate percentage of battery capacity remaining (see Figure 10). When the utility power returns, the UPS switches to Normal mode operation while the battery recharges.

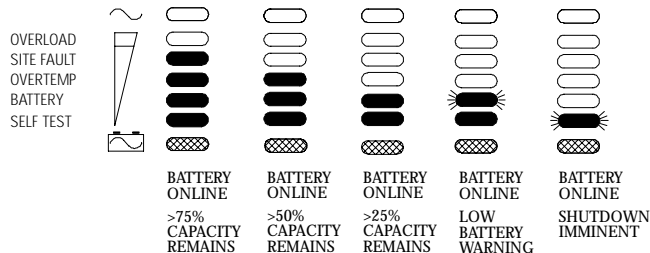


Figure 10. Battery Operation Indicators

If battery capacity becomes low while in Battery mode, the Battery Fault indicator begins to flash and the Self Test indicator remains lit, indicating approximately two minutes before UPS shutdown. The alarm beeps every two seconds.

When shutdown is imminent, the Self Test indicator flashes. These warnings are approximate, and the actual time to shutdown may vary significantly. Once these warnings are indicated, immediately complete and save your work to prevent data loss and similar difficulties. When utility power is restored after the UPS shuts down, the UPS automatically connects to the load when the startup is complete.

Diagnostics

The UPS periodically performs diagnostic tests while the unit is operating in Normal mode, ensuring proper operation. These tests include:

- Self Test
- Site Fault Test
- Utility Verification Test
- Battery Discharge Test
- Over Temperature Test

The UPS also runs a series of over 20 internal tests when power is first applied. If a diagnostic test fails, see Chapter 7, “Troubleshooting” on page 57.

Battery Test on Demand

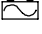
You can perform a battery test on the UPS while it is operating in Normal mode by pressing the Output | On button. The UPS automatically distributes some of the load to the batteries for 30 seconds and tests the battery’s performance.

Battery Start




NOTE Before using this feature, the UPS must have been powered by utility power at least once.


This feature allows you to start the UPS without utility power. After utility power has been unavailable for one minute, press and hold the Output | On button until the alarm beeps.

The UPS supplies power to your equipment and goes into Battery mode. The  indicator remains lit and the front panel displays the percentage of battery capacity remaining to the UPS. This process should take about 15 seconds.


UPS Shutdown

Performing a UPS shutdown turns off the power to your protected equipment. Confirm the equipment is prepared for a power-off before shutting down the UPS. To perform a UPS shutdown:

1. Press and hold the Output  Off button until the long beep ceases (approximately three seconds).

The  indicator remains lit indicating Normal mode, load offline.

2. Unplug the UPS.

The UPS enters Battery mode for several seconds. The  indicator turns off and the UPS shuts down.

Changing the Output Voltage

To change the operating voltage of the UPS (208V - 240V units only):

1. Perform a UPS shutdown as described in the previous section.
2. Follow the instructions in “UPS Startup for 208V - 240V Models” on page 32.

Using the PowerPass

The PowerPass provides a high level of reliability with surge suppression and continuous online power for your equipment. It also maximizes uptime by providing a second source of power and surge protection. The PowerPass allows you to:

- Replace or upgrade the UPS without losing power to your equipment
- Provide surge protection if the UPS is not present
- Provide extra surge protection when the UPS is present
- Increase the number of output receptacles
- Protect a laser printer against power surges without overloading the UPS

This Maintenance Bypass feature is useful when replacing the UPS for maintenance or upgrades. Figure 11 shows the operation of the UPS with the PowerPass.

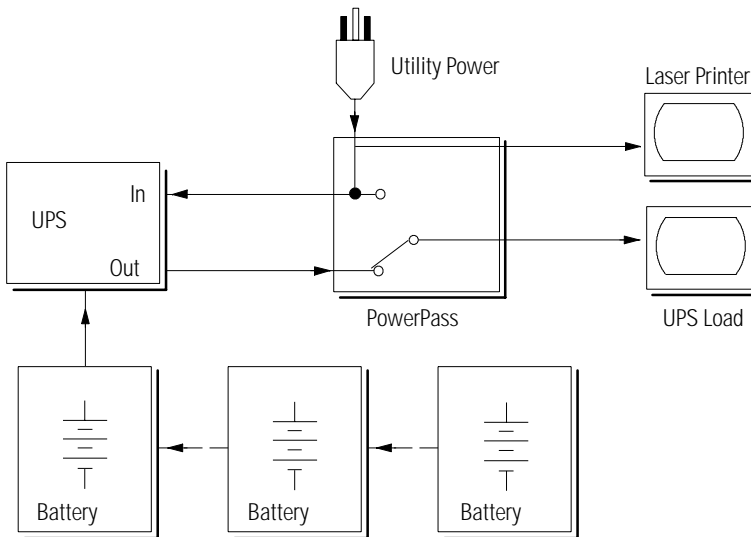




Figure 11. UPS and PowerPass Block Diagram (UPS Operation)

Using Maintenance Bypass

Use the following procedure to transfer the critical load to Maintenance Bypass (AC Line operation) and remove the UPS:

1. Disconnect the DB-25 serial communications cable from the serial port on the UPS rear panel.
2. Toggle the Bypass switch on the PowerPass to the BYPASS position (see Figure 13 or Figure 14). The PowerPass is now powering your equipment from utility power.
3. Press and hold the Output  Off button until the long beep ceases (approximately three seconds). The  indicator remains lit.
4. Switch the circuit breaker on all battery cabinets to the OFF (O) position.
5. Disconnect the battery connector on the UPS rear panel.
6. Using a #2-Phillips screwdriver, loosen the PowerPass mounting screw until it is free (the screw remains captive).
7. Remove the PowerPass from the UPS, being careful not to loosen the power cords plugged into the PowerPass.

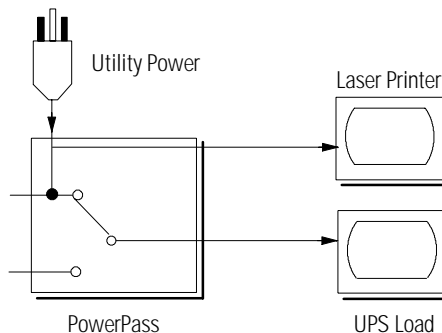


Figure 12. PowerPass Block Diagram (AC Line Operation)

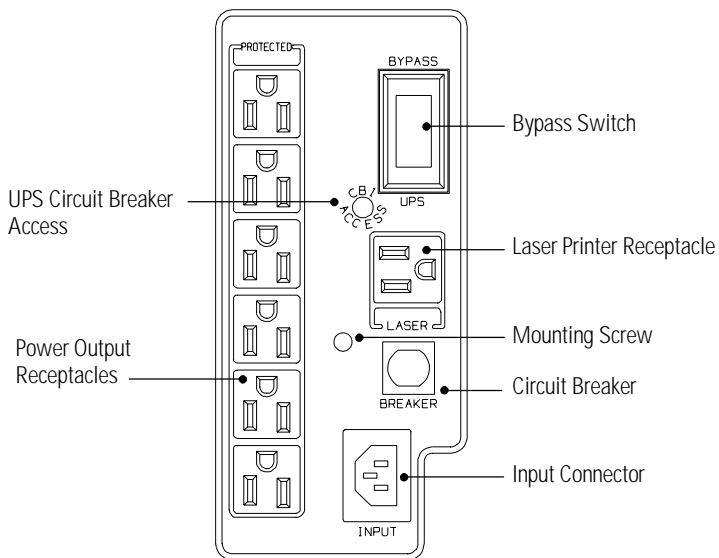


Figure 13. PowerPass Front Panel (120V Model)

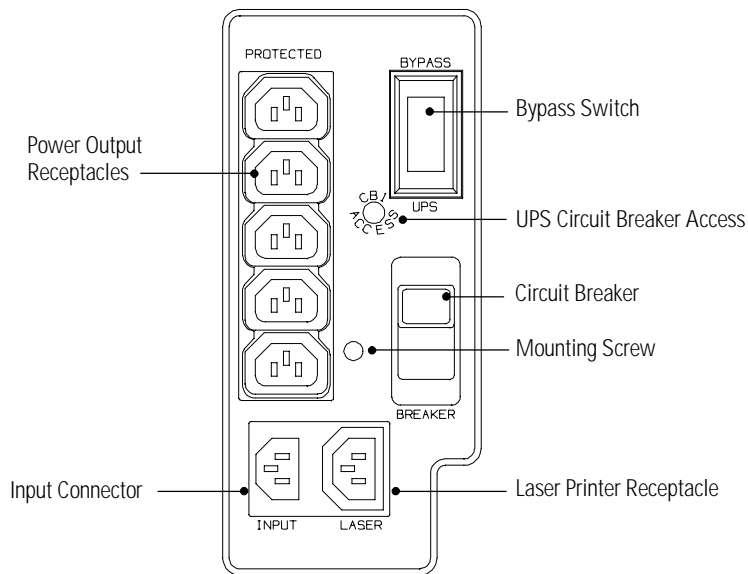


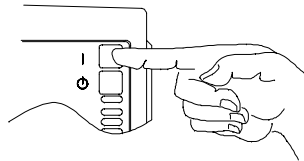
Figure 14. PowerPass Front Panel (208V - 240V, IEC Model)

Use the following procedure to reinstall the UPS and transfer the critical load from Maintenance Bypass (AC Line operation) to the UPS:

1. Reconnect the battery cabinet to the battery connector on the UPS rear panel.
2. Switch the circuit breaker on all battery cabinets to the ON (|) position.
3. Reconnect the DB-25 serial communications cable on the UPS rear panel.
4. Plug the PowerPass into the UPS.

The UPS performs diagnostic tests and enters Normal mode with the equipment (load) offline. The ~ indicator remains lit.

5. Tighten the PowerPass mounting screw using a #2-Phillips screwdriver. Do not overtighten.
6. For 208V - 240V models, confirm the correct UPS output voltage is selected (see Steps 2 through 7 beginning on page 32).
7. Press and hold the Output | On button until you hear the UPS beep (approximately one second).



The ~ indicator remains lit and the Self Test indicator turns on.

8. Toggle the Bypass switch on the PowerPass to the UPS position.

The front panel displays the percentage of full load being applied to the UPS. The UPS is now in Normal mode with the load online.



CHAPTER 5

COMMUNICATION

The UPS is equipped with a communications interface port that allows communication with a wide variety of external devices including:

- Video or dumb terminal
- Serial printer
- Computer with power management or shutdown software

The serial port enables you to monitor and record diagnostic data with the following communication interfaces:

- Serial Communications Interface
 - Terminal Mode
 - Data Dump Mode
 - Printer Mode, 2400 Baud, with Novell Contacts (default)
 - Printer Mode, 19200 Baud, with Novell Contacts
- LAN Configuration
 - Novell®-Style Network Interface
 - 3Com®-Style Network Interface
 - AS/400®-Style Network Interface
 - Custom User-Configurable Interface

Initial Communications Settings

The UPS is factory-configured for one of several communication interfaces (usually determined by the customer). To determine the initial UPS communications configuration, you can:

- Look at the box label with the serial number (communication mode is shown in the upper right corner).
- Use the Display Configuration option on the UPS Serial Communications Menu (see page 48).
- Call the **Help Desk** at one of the telephone numbers on page 60.

If you want to change the UPS configuration settings, use the front panel or the UPS Serial Communications Menu.

Front Panel Communications Access

Before you access the front panel, review the following configurations and note the indicator that corresponds with the communication mode.







NOTE Only the Printer mode front panel options change the baud rate. Use the UPS Serial Communications Menu to select other baud rates (see page 48).

FRONT PANEL COMMUNICATION OPTIONS	<p>Printer Mode, 2400 Baud, Novell Contacts Select this mode for the OnliNet[®] or LanSafe software.</p> <p>OVERLOAD SITE FAULT OVERTEMP BATTERY SELF TEST </p>	<p>Indicator Legend</p> <p> Unlit Amber Green Flashing</p>
	<p>Novell-Style LAN Contacts Any baud rate other than 2400 or 19200 with Printer mode, or not Printer mode.</p> <p>OVERLOAD SITE FAULT OVERTEMP BATTERY SELF TEST </p>	<p>3Com LAN Manager Any communication mode and baud rate option.</p> <p>OVERLOAD SITE FAULT OVERTEMP BATTERY SELF TEST </p>
	<p>AS/400-Style LAN Contacts, No Serial Select this mode for the OnliSafe[®] software.</p> <p>OVERLOAD SITE FAULT OVERTEMP BATTERY SELF TEST </p>	<p>Printer Mode, 19200 Baud (network devices), Novell Contacts</p> <p>OVERLOAD SITE FAULT OVERTEMP BATTERY SELF TEST </p>

Figure 15. Front Panel Communication Options

To access the front panel communication options, perform the following steps:

1. If the UPS is powered on, prepare your equipment for shutdown.
Press and hold the Output  Off button until the long beep ceases (approximately three seconds).
Unplug the UPS. Wait until all indicators turn off and then continue to the next step.
2. Plug in the UPS while pressing the Output  Off button until the alarm beeps. All indicators begin flashing.
3. Press and hold the Output  Off button a second time until the alarm beeps again.
A single indicator, corresponding with the current setting, remains flashing.
4. Press the Output  Off button to scroll through the communication options, top to bottom. Each time you press the button, the UPS beeps and the next indicator flashes.



NOTE If you do not save a selection within two minutes, the setup automatically aborts and switches back to the original configuration.

5. Press and hold the Output | On button until the alarm beeps to select and save a communication option. Failure to release the button immediately after the beep will cause the UPS to abort the setup.
6. Press the Output | On button again to return the UPS to Normal mode.



NOTE Printer mode selections are the only serial communication modes available from the front panel.

UPS Serial Communications Menu

With the UPS Serial Communications (Main) Menu, you can view or select UPS communication modes, baud rates, and LAN configurations. To change or display the current communications configuration:

1. Connect the UPS serial port to a video monitor with a serial interface or to your computer's serial port. If you are using OnliNet or LanSafe software, the UPS should already be connected to your computer.
2. Set your terminal so that it matches the baud rate of the UPS (usually 2400 baud, 8 bits, No parity, 1 stop bit). Refer to your terminal or operating system documentation for details on configuring your terminal communication settings.
3. At the terminal prompt, press **Control-C** until the UPS Serial Communications Menu appears.

```

UPS SERIAL COMMUNICATIONS MENU
SELECT OPERATION MODE
D > DISPLAY CONFIGURATION
1 > CONTINUOUS DUMP
2 > POLLED DUMP
3 > SMART DUMP
A > ASCII TERMINAL
B > VT100 TERMINAL
P > PRINTER DUMP
L > LAN CONFIGURATION
Z > SET BAUD RATE
Q > QUIT WITHOUT SAVING NEW CONFIGURATION
S > SAVE AND RESTART
ENTER SELECTION > > >

```

4. Select a menu option by typing the corresponding letter or number key. All menu selections are single keystrokes and are not case-sensitive.

D > Display Configuration displays the current communication settings and the new settings that you have selected prior to saving them. The new settings are not effective until you select save from the Main Menu.

```

Catalog #:           D15120112520
Serial #:            BK393B0274
Version #:           02.00
COMM mode:          Ser_Print
Baud x100:          024
LAN mode:            Novell
Site Fault Detection: Enabled

New COMM:            ASCII
New Baud:             096
New LAN:              Novell

Press space bar to continue

```



NOTE Catalog #, Serial #, and Version # are all identification numbers unique to your UPS and can also be found on the UPS nameplate.

1 > Continuous Dump The UPS regularly transmits status information to the computer. Baud rates of 1200 to 2400 are recommended to reduce host computer overhead when using this mode.

2 > Polled Dump Status information is transmitted only when requested by a poll character (Control-E).

3 > Smart Dump Status information is transmitted when polled, as in the previous mode. However, the transmission also occurs automatically whenever UPS status changes. For example, if there is a power outage, UPS status information changes and is therefore, automatically transmitted.

A > ASCII Terminal The UPS displays the formatted data on the attached video terminal.

B > VT100 Terminal The UPS displays the formatted data on the attached video terminal.

P > Printer Dump The UPS prints the formatted data on the attached printer.

L > LAN Configuration allows you to configure the UPS for a new LAN mode and displays the Select LAN Configuration Menu.

SELECT LAN CONFIGURATION

- 1 > NOVELL
- 2 > AS400
- 3 > 3-COM/LAN MANAGER
- 4 > CUSTOM CONFIGURATION
- Q > TO QUIT THIS MENU

ENTER SELECTION >+>

Select the **AS400** option if you are using OnliSafe software to monitor the UPS.

The **Custom Configuration** option has two screens: the first screen has options available for inverter shutdown, and the second screen has options available for the contact configuration. Consult your shutdown software documentation for details on the required signal states for configuring LAN communications.

SELECT CUSTOM LAN CONFIGURATION

Instructions: Choose the desired inverter shutdown function.
Warning: It is recommended that this feature should not be used with normal RS-232 communications, conflicts may occur.

- A > Inverter shutdown control is enabled active HIGH (+12V)
- B > Inverter shutdown control is enabled active LOW (-12V)
- c > Inverter shutdown control is disabled
- Q > TO QUIT THIS MENU

ENTER SELECTION >=>

SELECT CUSTOM LAN CONFIGURATION

Instructions: Choose the desired contact configuration.

- 1 > UTIL_FAIL is active closed, LOW_BATT is active closed
- 2 > UTIL_FAIL is active open, LOW_BATT is active closed
- 3 > UTIL_FAIL is active closed, LOW_BATT is active open
- 4 > UTIL_FAIL is active open, LOW_BATT is active open
- Q > TO QUIT THIS MENU

ENTER SELECTION >=>

Z > Set Baud Rate allows you to select a new baud rate. The Select Baud Rate Menu displays a list of baud rate options.

```

                SELECT BAUD RATE
2 >          300
4 >          1200
5 >          2400
6 >          4800
7 >          9600
8 >          19200
Q >          QUIT THIS MENU

ENTER SELECTION >->

```

- To save the configuration settings, type **S** at the Main Menu prompt. The UPS operates and communicates under the new configuration, and defaults to these settings each time it is started.

If you want to abandon the selections you have made, type **Q** to quit.



NOTE Any changes you make to the UPS communications configuration must correspond to the communications equipment you are using. In particular, new baud rate selections for the UPS must match your communications equipment.

Power Management Software

Power management software allows you to monitor UPS operations automatically. To use OnliNet or LanSafe software, the UPS must be configured for any one of the Data Dump, Terminal, or Printer modes; however, Printer mode is preferred.

OnliNet provides multiple levels of UPS monitoring and control, as well as automatic shutdown for many different operating systems. If you have any questions or would like further information, call the Help Desk at one of the telephone numbers on page 60.

UPS Communications Interface Port

In addition to configuring the UPS for specific communication options, you must also ensure proper use of the serial port when connecting the UPS to your network or monitoring equipment.



CAUTION

The serial port LAN contacts are transistors and are rated at **a maximum current of 50 mA and a maximum of +40 Vdc**. Do not exceed these ratings or apply any negative voltage or AC voltage to these contacts; otherwise, damage may occur to your UPS.

Use only the pins specified for your communications configuration. The use of any additional pins for any of the following interfaces can cause interference with system communications.

Even though your network uses the specified signal lines, the pins assigned to these signals at the network end of the cable may vary with those of the UPS serial port. The connector body and style may vary as well.



NOTE Standard, pin-for-pin cables may not work correctly. Consult your network software or server manuals for system shutdown pin assignments.

The UPS serial port complies with EIA RS-232 standards. RS-232 specifies a maximum cable length of 50 ft (15m). See Figure 16 for the location of the serial port.

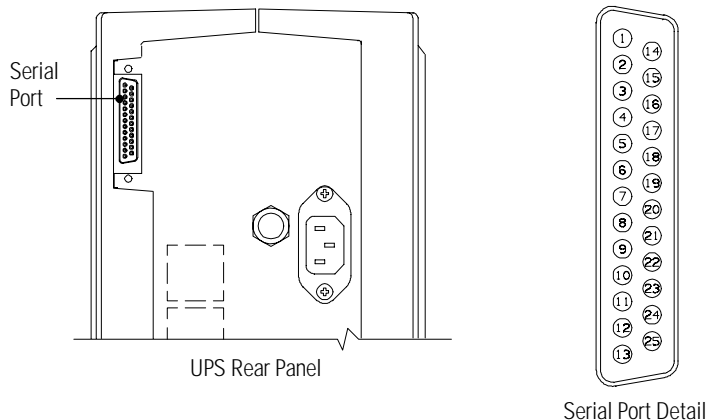


Figure 16. Serial Port Location

Communications Mode Reference Chart

The following chart defines the UPS serial port contacts. Serial communication is not available with 3Com and AS/400 network configurations. Use only the applicable pins for the selected communication mode; otherwise, interference problems may occur.

Communication Mode	Function	Signal Name	Pin No.	True Condition
Serial	Data to UPS	RS232 TxD	2	N/A
	Data from UPS	RS232 RxD	3	N/A
	Signal Ground		7	
Novell (Default)	Battery On	ON.AC	14/16	Open
	Low Battery	TWO.MIN	23/24	Closed
	Signal Ground		7/15/25	
Novell (Custom)	Battery On	ON.AC	14/16	Closed
	Low Battery	TWO.MIN	23/24	Closed
	Signal Ground		7/15/25	
3Com (Default)	Shutdown (Remote)	SHUT.DOWN	2	Positive Voltage
	Low Battery	LOW.BATT	9	Positive Voltage
	Battery On	PWR.FAIL	10	Positive Voltage
	Signal Ground		7	
AS/400	UPS Available	UPS Available	11/13	Closed
	Battery On	Utility Failure	14/16	Closed
	Bypass	UPS Offline	17/19	Closed
	Low Battery	Low Battery	23/24	Closed
	Signal Ground		12/15/18/25	

NOTE Pin numbers separated by a forward slash (/) are connected together internally.



CHAPTER 6

SPECIFICATIONS

Prestige UPS Model Specifications

120V Models	VA	Watts	Input Current (nominal)	Output Current for 120V	Typical Heat Loss Line Operation
650P1SE	650	455	4.9A	5.4A	87W
800P1SE	800	560	5.8A	6.7A	99W
1000P1SE	1000	700	7.2A	8.3A	114W
750P2SE (EXT)	750	525	5.5A	6.3A	93W
1000P2SE (EXT)	1000	700	7.2A	8.3A	114W
1250P2SE (EXT)	1250	875	9.3A	10.4A	142W
1500P2SE (EXT)	1500	1050	11.2A	12.5A	171W
208V - 240V Models	VA	Watts	Input Current (max)	Output Current for 208V/220V/230V/240V	Typical Heat Loss Line Operation
600P1HVSE	600	420	6.0A	2.9/2.7/2.6/2.5A	111W
800P1HVSE	800	560	6.0A	3.8/3.6/3.5/3.3A	115W
1000P1HVSE	1000	700	6.0A	4.8/4.5/4.3/4.2A	113W
800P2HVSE (EXT)	800	560	6.0A	3.8/3.6/3.5/3.3A	115W
1000P2HVSE (EXT)	1000	700	6.0A	4.8/4.5/4.3/4.2A	113W
1250P2HVSE (EXT)	1250	875	6.0A	6.0/5.7/5.4/5.2A	131W
1500P2HVSE (EXT)	1500	1050	8.0A	7.2/6.8/6.5/6.3A	157W
1800P2HVSE (EXT)	1800	1200	8.7A	8.7/8.2/7.8/7.5A	180W

Prestige UPS Physical Specifications

Parameter	Standard Unit with Battery	Standard EXT Unit with Battery	External Battery Cabinet
Height	252 mm (9.91 in)	252 mm (9.91 in)	252 mm (9.91 in)
Width	142.5 mm (5.61 in)	142.5 mm (5.61 in)	142.5 mm (5.61 in)
Depth	400 mm (15.75 in)	400 mm (15.75 in)	400 mm (15.75 in)
Weight	12.93 kg (28.5 lb)	15.6 kg (34.3 lb) maximum	EBC60-1 Battery: 12.25 kg (27 lb) EBC60-2 Battery: 22 kg (48.5 lb)

Prestige UPS Technical Specifications

	120V Model	208V - 240V Models
Input Voltage Range	85 to 144 Vac	140 to 276 Vac (600 - 1250 VA) 150 to 276 Vac (1500 - 1800 VA)
Input Power Factor	0.95 Typical	0.90 Typical
Frequency Range	50/60 Hz \pm 3 Hz	
Surge Protection	Meets IEEE 587/ANSI C62.41 Category A and B	IEC 801-4
Output Waveform	Sine wave	
Output Voltage	120 Vac \pm 3%	208/220/230/240 Vac \pm 3%
Common Mode Noise Rejection	>60 dB @ 100 kHz	
Transverse Mode Noise Rejection	>80 dB @ 100 kHz	
Audible Noise Normal Mode	45 dBA	
Input Cord	Detachable 2-meter cord with 5-15P	
Outlets	5-15R (4)	IEC 320 (3)
Batteries	12 Vdc, 5 Ah, maintenance-free rechargeable lead acid	
Operating Environment	Temperature: 10°C to 40°C (50°F to 104°F) Humidity: 5 to 95% (noncondensing)	
Agency Approvals	Safety: UL 1778 cUL EMC: FCC Part 15 Class A or Class B (model dependent)	Safety: EN50091-1 EMC: EN50091-2







CHAPTER 7

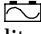
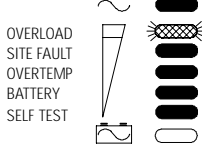
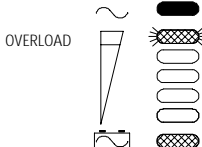
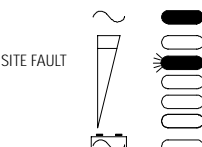
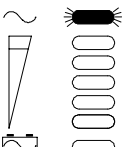
TROUBLESHOOTING

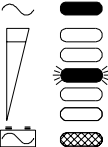
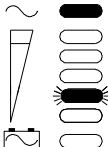
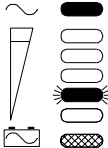
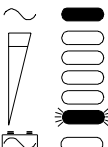
The Prestige UPS is designed for durable, automatic operation and also alerts you whenever potential operating problems may occur. Use the following troubleshooting chart to determine the UPS alarm condition.

Indicator Legend

-  Unlit
-  Amber
-  Green
-  Flashing

Condition	Possible Cause	Action
UPS does not turn on.	UPS is not plugged in.	Plug UPS into working outlet.
	Dead wall socket.	Test wall socket, repair as required.
	UPS circuit breaker is tripped.	Reduce load, then reset breaker. If you are using a PowerPass, reset the breaker using a pencil through the circuit breaker (CB1) access hole.
	PowerPass circuit breaker is tripped.	Reset breaker.
Load does not turn on.	UPS has not been activated.	Press the Output On button for one second, then release.
UPS beeps occasionally.	Normal operation.	None. UPS is protecting your equipment.
UPS circuit breaker trips.	Load fault.	Check the load. Disconnect faulty load equipment. Wait several minutes before resetting the UPS circuit breaker. If you are using a PowerPass, reset the breaker using a pencil through the circuit breaker (CB1) access hole. Restart the load.

Condition	Possible Cause	Action
 indicator remains lit, even though line voltage is present.	Utility line is out of specification.	Test wall socket, repair as required.
	UPS circuit breaker is tripped.	Reduce load, then reset breaker.
	PowerPass circuit breaker is tripped.	Reset breaker.
UPS does not provide the expected backup time.	Low battery capacity.	Allow battery to charge for 24 hours, then retest.
	Protected equipment power requirements exceed UPS capacity.	Reduce load, then retest.
Communications do not function properly.	Incorrect communications cabling.	Verify cable integrity (see page 52).
	Incorrect baud rate.	Select a new baud rate (see page 51).
	Incorrect communication mode.	Select a new communication mode (see Chapter 5).
	Power requirements exceed UPS capacity. If overload is greater than 105%, the alarm beeps every second and the UPS may switch to Bypass mode.	Your UPS continues to operate. Reduce load.
	The UPS switched to Bypass mode because the overload increased (above 105%). The alarm beeps.	Reduce load. If the Overload indicator remains lit, reset the UPS by pressing the Output On button until the alarm beeps. You may need to obtain a larger capacity UPS.
	Building wiring is out of specification. The UPS checks the utility power source during startup for reversed neutral and line conductors. The alarm beeps.	Have site wiring tested. Repair as required.
	The utility line voltage and frequency are out of specification.	The inverter remains online, deriving power from the utility until it is no longer acceptable. Check the unit configuration. Refer to the product specifications (see page 55).

Condition	Possible Cause	Action
<p>OVERTEMP</p> 	<p>UPS internal temperature is too high. The alarm beeps and the UPS switches to Bypass mode for approximately 10 minutes, allowing the UPS to cool down.</p>	<p>Shut down the UPS. Clear vents. Remove any heat sources. Wait approximately 5 minutes and retry. Contact your service representative if condition persists.</p>
<p>BATTERY</p> 	<p>Weak battery while in Normal mode. The alarm beeps.</p>	<p>Allow the battery to charge for 24 hours, then retest. Have batteries replaced if condition persists.</p>
	<p>Battery breaker is open (O).</p>	<p>Verify that the battery circuit breaker is in the ON () position.</p>
	<p>Battery cabinet is not properly connected to the UPS.</p>	<p>Verify that the battery cords are connected.</p>
<p>BATTERY</p> 	<p>Weak battery while in Bypass mode.</p>	<p>This usually indicates that the batteries need replacing or the UPS requires service. Contact your service representative.</p>
<p>SELF TEST</p> 	<p>Self Test failure. UPS internal problem.</p>	<p>The UPS may switch to Bypass mode, depending on the circumstances. Reset the UPS by pressing the Output On button until the alarm beeps. Contact your service representative if condition persists.</p>

Resetting the UPS

To reset the UPS while an alarm condition is present, press the Output | On button until the UPS alarm beeps.

Silencing the Alarm

To silence the alarm for an existing fault, press and hold the Output | On button for one second. The alarm becomes quiet. If UPS status changes, the alarm beeps, overriding previous alarm silencing. Press the Output | On button again to silence the alarm.

Service and Support

The troubleshooting chart on page 57 covers most of the difficulties you may encounter during normal operations. If you have any questions or problems with the UPS, call your **Local Distributor** or the **Help Desk** at one of the following telephone numbers and ask for a UPS technical representative.

In the United States	1-800-365-4892
In Canada	1-800-461-9166
All other countries	1-919-870-3149

Please have the following information ready when you call the Help Desk:

- Model number
- Serial number
- Version number (if available)
- Date of failure or problem
- Symptoms of failure or problem
- Customer return address and contact information

If repair is required, you will be given a Returned Material Authorization (RMA) Number. This number must appear on the outside of the package and on the Bill Of Lading (if applicable). Use the original packaging or request packaging from the Help Desk or distributor. Units damaged in shipment as a result of improper packaging are not covered under warranty. A replacement or repair unit will be shipped, freight prepaid for all warrantied units.



NOTE For any warranty claim to be valid, the Warranty Registration Card must be on file, or Proof and Date of Purchase must be returned with the failed unit.

For critical applications, immediate replacement may be available. Call the **Help Desk** for the dealer or distributor nearest you.



INDEX

Numeric

- 3Com Network Interface
 - front panel configuration, 46
 - LAN Configuration Menu, 50

A

- AC Line
 - Bypass switch, 41
 - operation, 41
- alarm
 - silencing, 59
 - UPS, 58

Alarm Conditions

- Battery Fault, 59
- Overload, 58
- Overtemperature, 59
- Self Test Failure, 59
- Site Fault, 58
- Utility Out of Spec, 58

AS/400 Network Interface

- front panel configuration, 46
- LAN Configuration Menu, 50

ASCII Terminal Mode, 49

B

- battery
 - circuit breaker, 30
 - configuration, 2
 - disposal, 7
 - extension time, 3
 - input connector, 31

- installation, 29
- output connector, 31
- storage, 29

Battery Fault

- condition, 59
- indicator, 35

Battery Mode, 37

Battery Online, indicator, 35

Battery Start, 39

Battery Test on Demand, 38

baud rates, 48, 51

Bypass Mode, 37

Bypass switch, 42

C

changing the output voltage, 39

communication

- interface port, 52
- modes, 48
- UPS, 45

Communications Mode Reference

Chart, 53

configuration settings

- abandoning, 51
- displaying, 48
- front panel, 46
- saving, 51

contact configuration, serial port, 52

Continuous Dump Mode, 49

Control Keys

- Control-C, 48
- Control-E, 49

cord, power, 31, 32, 33, 56

Custom LAN Configuration
Menu, 50

customer service, 60

D

Data Dump Modes, 49

diagnostics, 38

Display Configuration Screen, 49

E

exiting Main Menu, 51

EXT models, 3

F

front panel
configuring communications, 46
display functions, 35
indicators, 35

front panel configuration
3Com, 46
AS/400, 46
Novell, 46
printer mode, 46

H

Help Desk, 60

I

indicators, front panel, 35

input cord, 31, 32, 33, 56

Inverter Shutdown Control, 50

L

LAN Configuration
Main Menu option, 48
menu, 50

load
definition, 2
requirements, 2

LOW_BATT, 50

M

Main Menu, 48

Maintenance Bypass feature
See also PowerPass
activating, 41
deactivating, 43

Menu

Custom LAN Configuration, 50
LAN Configuration, 50
Main, 48
Serial Communications, 48
Set Baud Rate, 51

Mode

ASCII Terminal, 49
Battery, 37
Bypass, 37
Communications, 48
Data Dump, 49
Normal, 36
Printer, 47, 49
Terminal, 49
VT100 Terminal, 49

N

Normal Mode

- indicator, 35
- operation, 36

Novell Network Interface

- front panel configuration, 46
- LAN Configuration Menu, 50

O

Operating Modes, 36

Operation

- Battery, 37
- Bypass, 37
- Normal, 36
- UPS with PowerPass, 40

Output Off Button, 7, 35

Output On Button, 7, 35

output voltage, changing, 39

Overload

- condition, 58
- indicator, 35

Overtemperature

- condition, 59
- indicator, 35

P

Polled Dump Mode, 49

Power Management Software

- LanSafe, 46, 51
- OnliNet, 46, 51
- OnliSafe, 46, 50

PowerPass

- AC Line operation, 41
- block diagram, 41
- Maintenance Bypass feature, 40
- operation, 40

Printer Mode

- front panel configuration, 47
- Main Menu configuration, 49

R

rear panel, 31

resetting the UPS, 59

Returned Material Authorization (RMA) Number, 60

S

Safety Warnings, 9

Self Test

- failure, 59
- indicator, 35

serial cable, 52

serial port

- contact ratings, 52
- description, 52

service, 60

Set Baud Rate Menu, 51

shutdown, 39

Site Fault

- alarm, 58
- indicator, 35

Smart Dump Mode, 49

specifications, 55

Startup Tests, 38

storage temperature, 29

Switch, Bypass, 42

system requirements, 2

T

Terminal Modes, 49

Tests

Battery (on demand), 38

diagnostic, 38

transistors, contact ratings, 52

troubleshooting

chart, 57

tips, 34

U

uninterruptible power system, 1

UPS

alarm silencing, 59

alarms, 58

block diagram, 36

circuit breaker, 31

communication, 45

Communications Mode Reference

Chart, 53

external battery connector, 31

front panel, 35

installation, 29

operation with PowerPass, 40, 41

operations, 35

power input connector, 31

power output receptacles, 31

rear panel, 31

resetting, 59

Serial Communications Menu, 48

serial port, 31, 52

shutdown, 39

special symbols, 7

startup (120V), 31

startup (208V-240V models), 32

storage, 29

unpacking and inspection, 29

UTIL_FAIL, 50

Utility Out of Spec, 58

V

volt-amperes, 2

VT100 Terminal Mode, 49