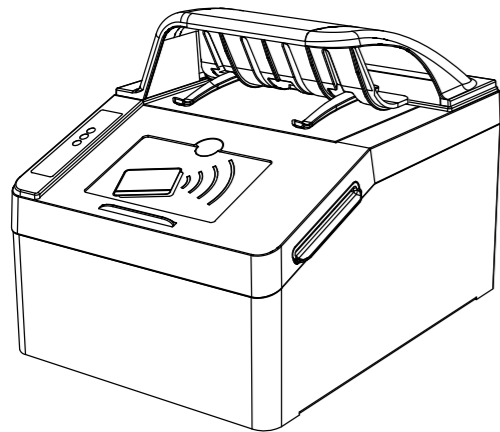


Quick Guide

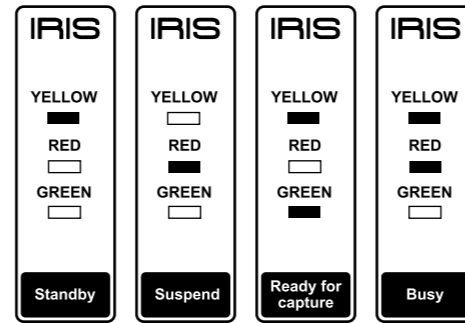
AXESS P5000 Passport Reader



Contents

- Features
- LEDs
- Package Contents
- SAM Installation (Optional)
- Getting Started
- Operation
- Support Information

LEDs



Package Contents

Make sure that your package contains the following items. If any of the items are missing or appear to be damaged, contact your vendor.

| | | |
|------------|-------------|--------------------------|
| | | |
| Device | Power Cable | AC Adapter |
| | | |
| Product CD | USB Cable | Quick Guide (this guide) |

Getting Started

1 System Requirements

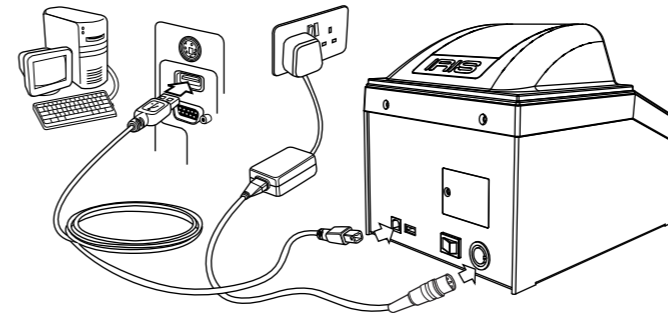
- Intel Pentium 1 GHz CPU or higher (or other fast x86 compatible CPU)
- 572 Mbytes of RAM or more
- Microsoft Windows XP/Vista/7 operating system
- Integrated USB 2.0 port (on motherboard)
- VGA at min. 1024 X 768, 16 Bit colour depth

NOTE: The speed of image processing greatly depends on the type of hardware used. As a general rule, the shorter recognition time needed, the faster machine you are advised to use.

2 Driver Installation

Please refer the driver installation guide in product CD

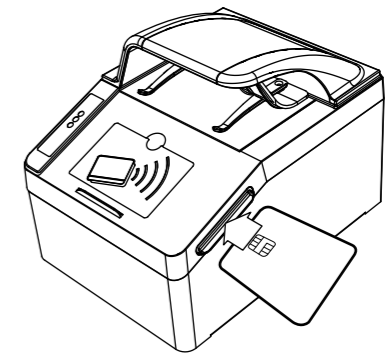
3 Communicate with Host



1. Power up the device with power cable
2. Turn on the power ON/OFF switch
3. Connect the device to the host with USB cable
4. Wait until Suspend and Ready LED turn off
5. Device ready to use

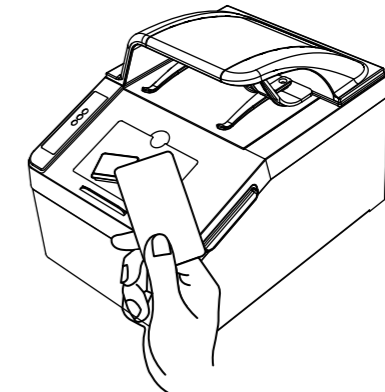
NOTE: UV require approximately 25s warm up period for the first read

2 Contact Card Placement



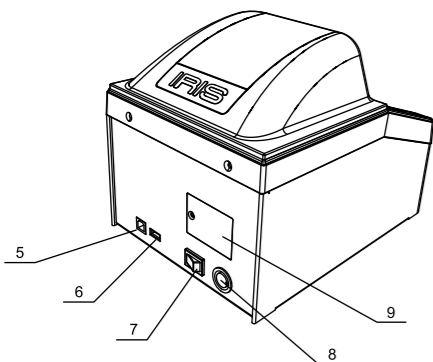
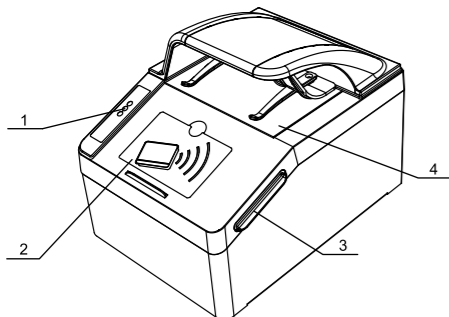
Insert the smart card into the smart card slot with the chip facing upward as shown in the picture

3 Contactless Card Placement



Place the contactless card on the reader as shown in the picture

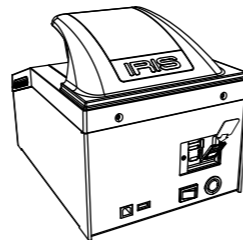
Features



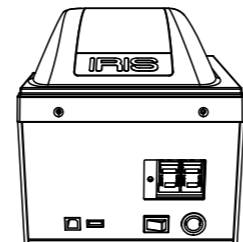
- | | |
|----------------------|-------------------------|
| 1 LEDs | 6 USB Downstream Port |
| 2 RF Antenna | 7 On/Off Switch |
| 3 Smart Card Slot | 8 Power Cord Receptacle |
| 4 Scanner Glass | 9 SAM Access Door |
| 5 USB Port (to host) | |

SAM Installation (Optional)

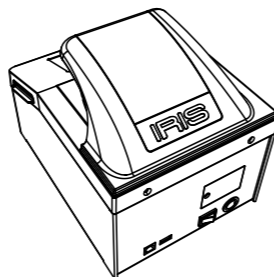
1. Make sure the AC adaptor cable and USB cable are unplugged from the device
2. Remove the SAM door
3. Slide downward and open the card holder



4. Slot in the SIM card into the card holder with the contact area facing down and correct orientation
5. Push back the card holder and slide upward to lock

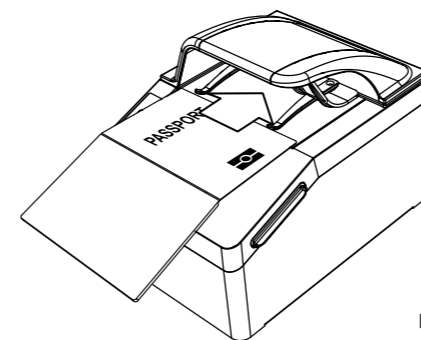


6. Secure the SAM door

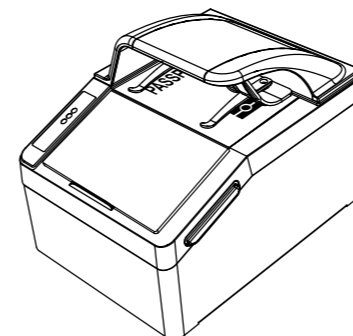


Operation

1 Travel Document Placement



Place the travel document on the scanner glass



Support Information

Terms & Conditions

- Please refer to your vendor on warranty terms.
- The contents of this manual are subject to change without prior notice.
- No part of this Quick Guide may be reproduced in any form without the express written consent of the manufacturer.
- Sample displays shown in this manual may differ somewhat from the displays actually produced by the product.

Federal Communication Commission Interference Statement

This equipment has been tested and found to comply with the limits for a Class A digital device, pursuant to Part 15 of the FCC Rules. These limits are designed to provide reasonable protection against harmful interference when the equipment is operated in a commercial environment. This equipment generates, uses, and can radiate radio frequency energy and, if not installed and used in accordance with the instruction manual, may cause harmful interference to radio communications. Operation of this equipment in a residential area is likely to cause harmful interference in which case the user will be required to correct the interference at his own expense.

FCC Caution: Any changes or modifications not expressly approved by the party responsible for compliance could void the user's authority to operate this equipment.

This device complies with Part 15 of the FCC Rules. Operation is subject to the following two conditions: (1) This device may not cause harmful interference, and (2) this device must accept any interference received, including interference that may cause undesired operation.