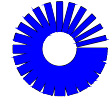


NOTES:

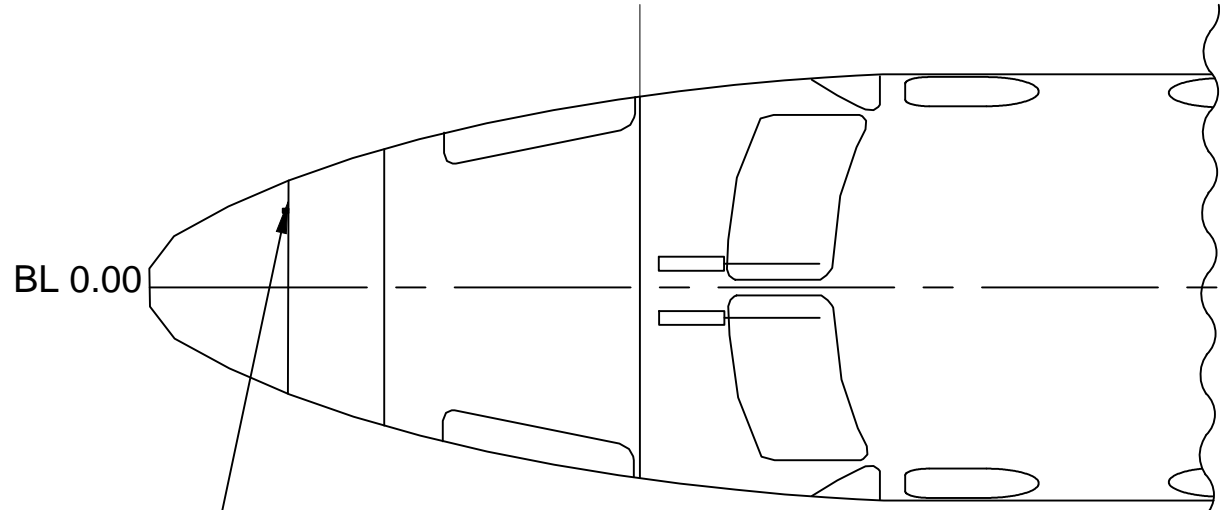
1. AIRCRAFT GRADE MATERIAL, 2024-T3 (AMS-QQ-A-250/5) TO BE USED UNLESS SPECIFIED.
2. OBSERVE MINIMUM FASTENER EDGE DISTANCE OF 2D, MINIMUM FASTENER PITCH OF 4D, AND MINIMUM BEND RADIUS OF 3T IAW FAA AC43.13-1B CHAP 4 SECTION 4.
3. ALL BARE SURFACE METAL IS TO UNDERGO PROTECTIVE TREATMENT AND CORROSION PREVENTION IAW BEEHCRAFT STRUCTURAL INSPECTION AND REPAIR MANUAL, REF 98-39006.
4. RESERVED.
5. DEBUR ALL SHARP EDGES AND HOLES.
6. FABRICATION TECHNIQUES AND INSTALLATION PRACTICES SHALL COMPLY WITH CURRENT BEEHCRAFT STANDARD PRACTICES MANUAL CHAPTER 20 STANDARD PRACTICES - MAINTENANCE MANUAL, REF 130-590031-487.
7. APPROXIMATE MOUNTING LOCATION FOR ANTENNA SHOWN. EXACT LOCATION TO BE DETERMINED ON INSTALLATION BASED ON BEST FIT.
8. SECURE ANTENNA TO EXISTING RADAR LOOM USING 2 OFF CABLE SPACER (ITEM 04). SECURE WITH 4 OFF CABLE TIES (ITEM 03) AS REQUIRED.
9. ROUTE ANTENNA COAX ALONG EXISTING RADAR WIRING LOOM.
10. TRIM CABLE TIE TAILS AS REQUIRED SO THEY DON'T INTERFERE WITH SURROUNDING STRUCTURE.

REF	FAST-C-073-2	ANTENNA COAX, GSM	-	08
REF	FAST-C-197-2	ANTENNA COAX, WLAN	-	07
REF	960-00048	ADAPTER CONNECTOR JACK TO JACK	-	06
1	DTU-D-095-1	ANTENNA, WLAN	-	05
4	CSEH15A30	CABLE SPACER	SUPPLIER: PANDUIT	04
8	MS3367-3	CABLE TIE	-	03
1	FAST-D-157-1	ANTENNA, GSM	-	02
X	FAST-A-170-1	FAST ANTENNA MOUNTING	-	01
QTY	PART OR IDENTIFYING NO.	NOMENCLATURE OR DESCRIPTION	MATERIAL SPECIFICATION	FIND NO.
-1	PARTS LIST			

NEXT ASSEMBLY		TOLERANCES		 <b>Pratt &amp; Whitney</b> A United Technologies Company <b>DPHM Solutions</b> 249 VANDERBILT AVENUE, NORWOOD, MA 02062					
DRAWING REVISIONS		A/B ±0.032 0.X ±0.015 0.XX ±0.010 0.XXX ±0.005 0.XXXX ±0.0005 Angle ±0.5° Finish $\sqrt{63}$ Unless Otherwise Specified							
Ltr	Description	Date	App'd	Date	By	Scale	Units	Size	CAGE Code: 16359
A	PRODUCTION RELEASE	07/01/16	JM	DRAWN	08/01/16	B. L	NTS	Inches	B Break and deburr all sharp edges
B	ECO 1264	08/01/16	JM	CHECKED	08/01/16	D. ELSEMILLER			
				ENG	08/01/16	J. MILLER			
				QA	08/01/16	S. SACKOS		Material	--
				MAT'L	08/01/16	S. SACKOS		Finish	--
SHEET 1 OF 4		ECCN: 9E991		File Name		Part No.		Rev	
				FAST-A-170-1.DWG		FAST-A-170-1		B	

A

FWD. PRESSURE  
BULKHEAD (STA 84.00)



TOP VIEW OF THE AIRCRAFT

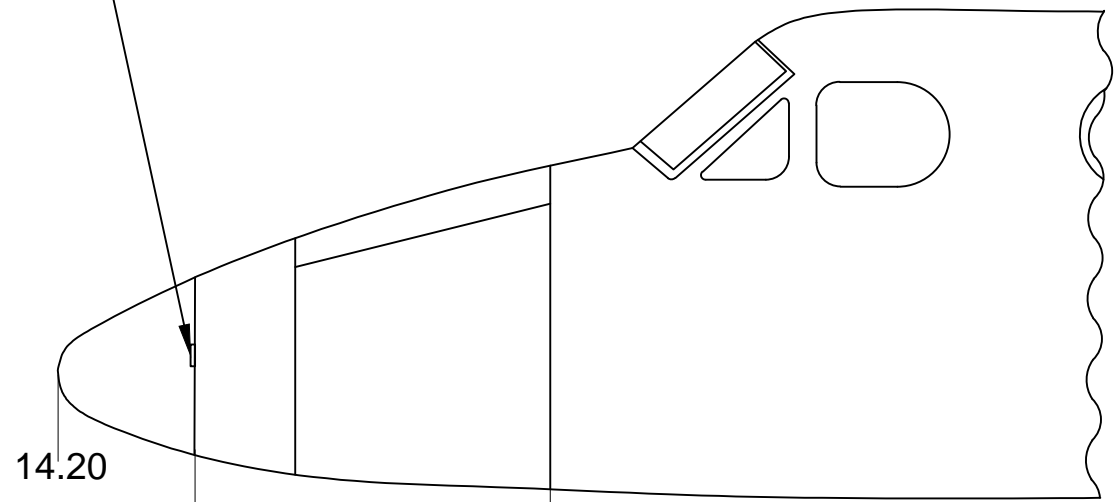
RHS

FWD

FAST GSM & WLAN  
ANTENNA  
INSTALLATIONS  
LOCATION (INSIDE  
NOSE CONE)

B

C

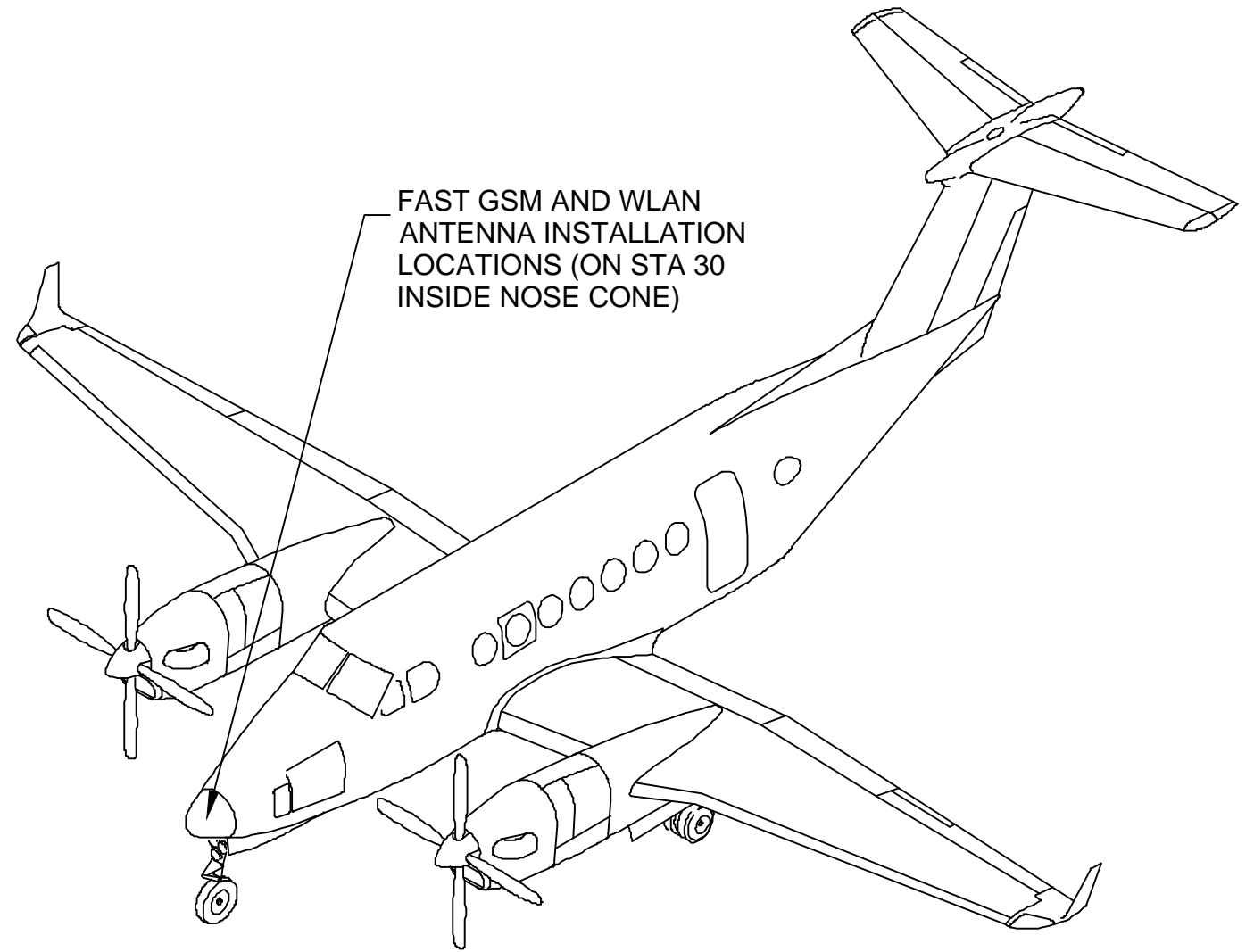


SIDE VIEW OF THE AIRCRAFT

UP

FWD

D



FAST GSM AND WLAN  
ANTENNA INSTALLATION  
LOCATIONS (ON STA 30  
INSIDE NOSE CONE)

PICTORIAL VIEW OF FAST GSM & WLAN ANTENNA INSTALLATIONS  
LOCATION ON AIRCRAFT (INSIDE NOSE CONE) - 300 SERIES  
AIRCRAFT SHOWN, SAME LOCATION USED ON OTHER 200 & 300  
SERIES AIRCRAFT.

A

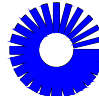
B

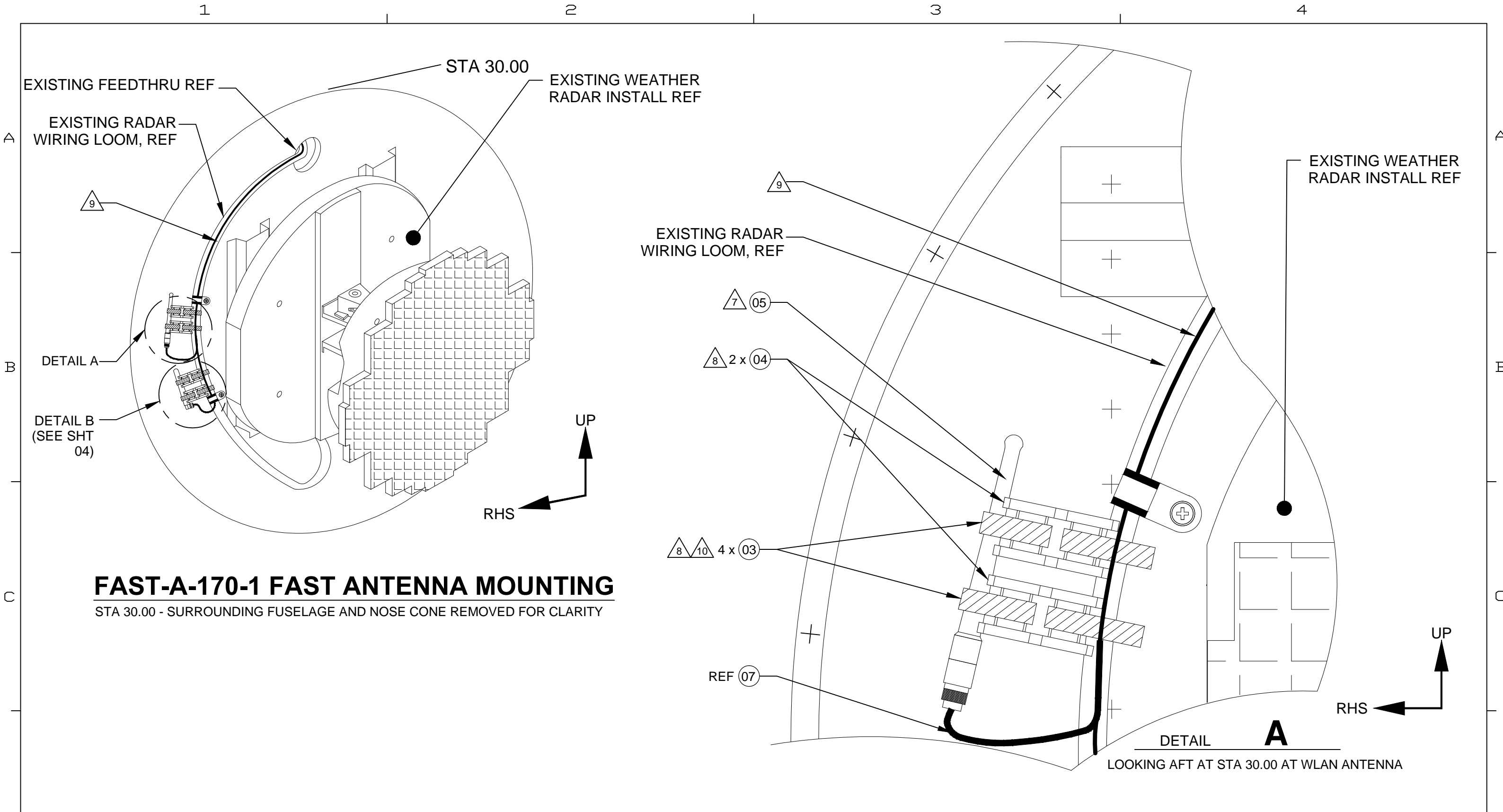
C

D

Scale	Size
NTS	B
SHEET	2 OF 4

Part Name
FAST ANTENNA MOUNTING ON KING AIR 200 & 300 SERIES AIRCRAFT
ECCN: 9E991

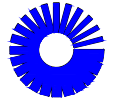
 <b>Pratt &amp; Whitney</b> A United Technologies Company <b>DPHM Solutions</b> <small>249 VANDERBILT AVENUE, NORWOOD, MA 02062</small>		
File Name	Part No.	Rev
FAST-A-170-1.DWG	FAST-A-170-1	B



**FAST-A-170-1 FAST ANTENNA MOUNTING**

STA 30.00 - SURROUNDING FUSELAGE AND NOSE CONE REMOVED FOR CLARITY

DETAIL A  
LOOKING AFT AT STA 30.00 AT WLAN ANTENNA

Scale NTS		Size B		Part Name FAST ANTENNA MOUNTING ON KING AIR 200 & 300 SERIES AIRCRAFT		 <b>Pratt &amp; Whitney</b> A United Technologies Company <b>DPHM Solutions</b> 249 VANDERBILT AVENUE, NORWOOD, MA 02062	
SHEET 3 OF 4		ECCN: 9E991		File Name FAST-A-170-1.DWG		Part No. FAST-A-170-1	
				Rev B			

1

2

3

4

A

A

B

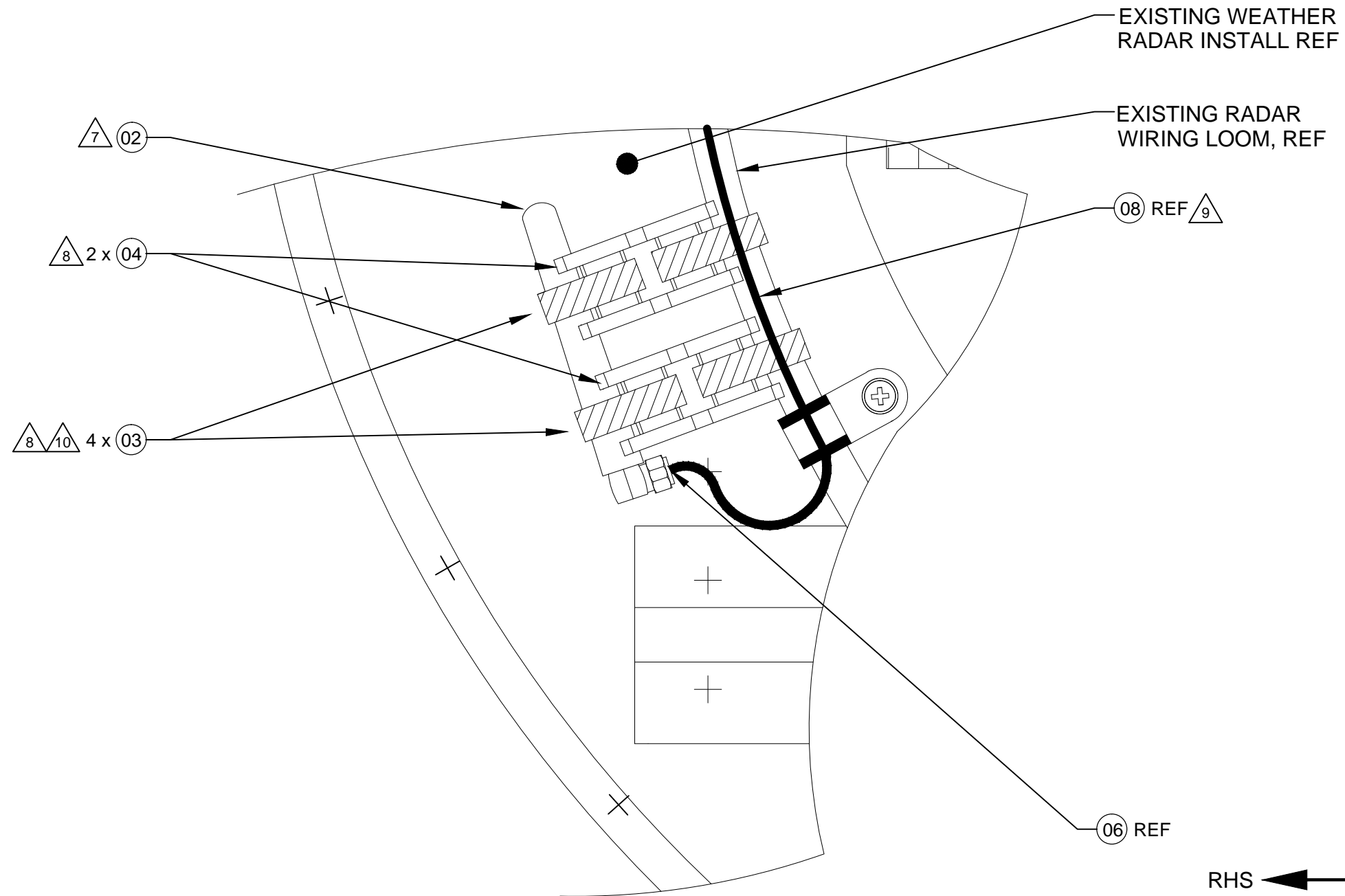
B

C

C

D

D



DETAIL

**B**

LOOKING AFT AT STA 30.00 AT GSM ANTENNA

Part Name  
**FAST ANTENNA MOUNTING  
 ON KING AIR 200 & 300  
 SERIES AIRCRAFT**



Scale	NTS	Size	B
SHEET	4	OF	4

ECCN: 9E991

File Name  
**FAST-A-170-1.DWG**

Part No.  
**FAST-A-170-1**

Rev  
**B**

1

2

3

4