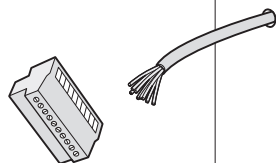


Installation of Precise BioAccess™

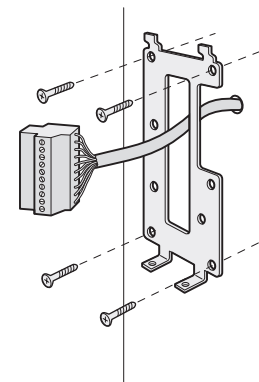
1.



- 1 Do not connect
 - 2 DATA (magstripe) / DATA 0 (Wiegand) OUTPUT
 - 3 CLOCK (magstripe) / DATA 1 (Wiegand) OUTPUT
 - 4 CARD PRESENT OUTPUT
 - 5 Tamper switch loop
 - 6 Tamper switch loop
 - 7 GROUND (power)
 - 8* Upper red LED (5V = on) INPUT
 - 9* Upper green LED (5V = on) INPUT
 - 10 POWER 12-24 VDC
- *See Operation mode on opposite page

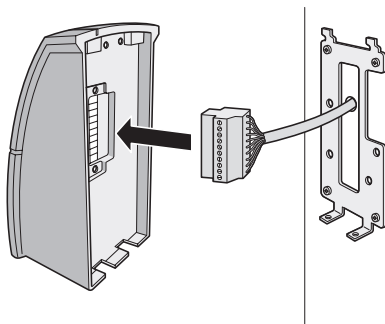
Connect the wires using a shielded cable. The shielding must be connected to earth at the access control side of the system. Recommended mounting height 1,4meter/4.6 feet.

2.



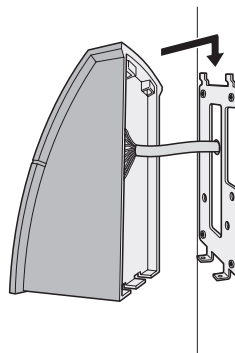
Fasten the holder onto the wall.

3.



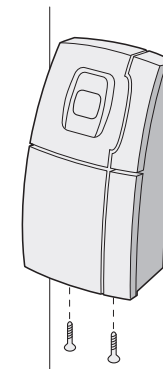
Plug the connector.

4.



Mount Precise BioAccess™ onto the holder.

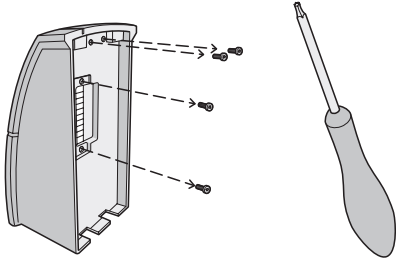
5.



Secure Precise BioAccess™. Use only screw driver Torx T10. Torque max 1.0 Nm.

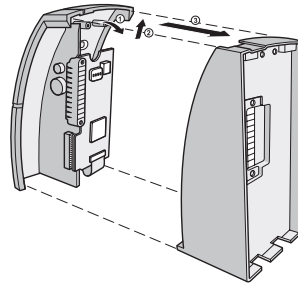
Operation mode

1.



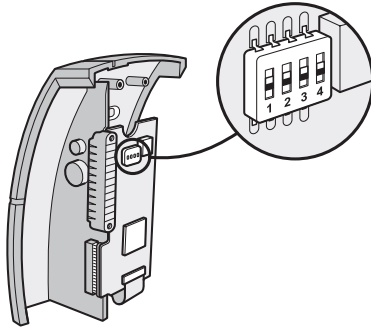
Unscrew the four screws on the back of Precise BioAccess™.

2.



1. Loosen the top.
2. Press back cover slightly upwards.
3. Pull apart.


3.



Function	ON	OFF
1. Sound	Inactive	* Active
2. Upper LED control	Active	* Inactive
3. Customized card No.	Enabled	* Disable
4. RFU	Forbidden!	* Must be OFF

*) Factory settings

CE Notice (Europe)

This device meets the following technical standards as indicated by the symbol  on the device:

- EN 55022:1998 Limit B (Radiated emission)
- EN 55024:1998 (Immunity of IT-equipment)
- EN 61000-6-2:1999 (Immunity for industrial environments)
- EN 300 330-2: v.1.1.1 (06-2001) (Radio - spectrum)
- EN 301 489-01: v.1.2.1 (07-2000) (Radio - EMC)
- EN 301 489-03 (07-2000) (Radio - EMC)

FCC Information (U.S.A.)

This device has been certified to the FCC rules and regulations (CFR47 Part 15 Subpart C) for the low power transmitter contained within this device. In addition, this device has also been verified to comply with Class B digital device requirements as specified in the FCC rules and regulations (CFR47 Part 15 Subpart B).

This device complies with Part 15 of the FCC Rules. Operation is subject to the following two conditions: (1) this device may not cause harmful interference, and (2) this device must accept any interference received, including interference that may cause undesired operation.

NOTE: This equipment has been tested and found to comply with the limits for a Class B digital device, pursuant to Part 15 of the FCC Rules. These limits are designed to provide reasonable protection against harmful interference in a residential installation. This equipment generates, uses and can radiate radio frequency energy and, if not installed and used in accordance with the instructions, may cause harmful interference to radio communications. However, there is no guarantee that interference will not occur in a particular installation. If this equipment does cause harmful interference to radio or television reception, which can be determined by turning the equipment off and on, the user is encouraged to try to correct the interference by one or more of the following measures:

- Reorient or relocate the receiving antenna.
- Increase the separation between the equipment and receiver is connected
- Connect the equipment into an outlet on a circuit different from that to which the receiver is connected
- Consult the dealer or an experienced radio/TV technician for help

CAUTION: Changes or modifications not expressly approved by the party responsible for compliance could void the user's authority to operate the equipment.

AM010018 RTB Mar. -02

Installation of Precise BioAccess™



Dag Hammarskjöldsväg 2, SE-224 64 Lund, Sweden.
 Phone +46 46 311 100, Fax +46 46 311 101
 info@precisebiometrics.com
 www.precisebiometrics.com