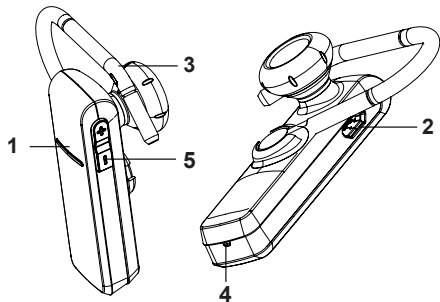


## Introduction

Thanks for purchasing PHS-8 Bluetooth Headset. Your Bluetooth Headset is a stylish headset that enables comfortable handsfree communication with compatible phone that supports Bluetooth technology.

## Functions & Controls



### 1. Multifunction key

- Indicator light
- Switches the headset on and off
- Answer incoming call
- End active call
- Reject incoming call

**2. Charger connector** For battery charging.

**3. Earpiece** Relays the caller's voice.

**4. Microphone** Picks up your voice input.

**5. Volume up / down buttons**

## Getting started

Remove all components from the package...

Bluetooth Headset (with 15 mm diameter earbud)

AC Battery Charger

User Guide

## Charging the battery

Before using the Bluetooth Headset, you need to charge the built-in rechargeable battery for approximately 2 hours. The indicator light is red while charging. When the battery is fully charged, it provides up to 7 hours talking time and up to 170 hours standby time.

1. Connect the AC battery charger cable's Micro USB connector to Bluetooth Headset's Micro USB socket.

2. Plug the charger's AC plug to AC outlet. When charging, the Bluetooth Headset's status indicator lights in solid red.

3. When the battery is fully charged, the status indicator turns to green. Unplug the charger cable from AC outlet and Bluetooth Headset.

## Pairing the Bluetooth headset to a Bluetooth mobile phone

Pairing is the process for linking the headset with your Bluetooth enabled mobile phone. After this process is completed, you can use the Bluetooth Headset with the paired mobile phone. The Bluetooth Headset can be paired with up to 8 compatible phones but connected to only one phone at a time. If the headset is turned on with no existing pairing information stored (e.g., first time use or pairing information been erased), it will enter pairing mode automatically.

To enter pairing mode manually...

1. The headset must be in off mode.
2. Press the multifunction button for at least 5 seconds. Blue LED light flashing rapidly, and 4 ascending tones can be heard. Your mobile phone can now "look for" the headset.
3. Activate the Bluetooth connection with the mobile phone according to the mobile phone's user's guide.
4. Set the mobile phone to search for the Bluetooth devices according to the mobile phone's user's guide.
5. Select the Bluetooth Headset from the phone menu.
6. Enter the pin code 0000 to connect (or "pair") Bluetooth Headset to the phone. You will hear two high tones when pairing completed.
7. Select 'PHS-8' from the device list on your phone. The LED will light rapidly every 5 seconds with the headset connected to your phone.

If the headset is turned on within 10 meters from several paired phones, the headset will try to connect to the last connected device. If the headset does not connect to the last connected phone, green LED will be flashing every 5 seconds indicating it is in power on however not engaged status.

If the headset is turned on but not connected established, it will stay in connectable status for 5 minutes before automatically turn off.

If the headset is dropped off from previous connection, it will stay in connectable status for 30 minutes before automatically turn off.

Phone list can be erased by holding the multifunction button, then pressing volume + key 6 times at an interval of 0.5 seconds.

## Clear settings or reset

To clear all the pairing settings from the headset, press and hold the multifunction key, and press Volume + key six times. The indicator light alternates red, green, and blue twice. After the settings are cleared, the headset enters the pairing mode for about 5 minutes (the indicator light flashes blue quickly).

To reset the headset if it stops functioning, although it is charged, plug the charger into the headset while you press and hold the multifunction key. The reset does not clear the headset settings.

## Operation

### To turn on the headset

To switch on, press and hold the multifunction key until the headset beeps and the indicator light turns on.

### To turn off the headset

To switch off, press and hold the multifunction key for at least 4 seconds until the indicator light turns red.

## Making a Phone Call

When the headset is connected to the phone, make a call using the phone in the normal way.

Note: the call functions depending on the phone type you use. Please refer to the manual of your phone for the related function.

The blue indicator light flashes during the call.

## Answering and Ending a Phone Call

When a call comes in, the indicator light flashes quickly, and ringing tones can be heard through the headset until the call is answered.

You can short press the multifunction key to answer and end the call.

You can also answer and end the call through the mobile phone.

Note: Some phones offer Auto Answer function and may be used with the headset or speakerphone, but this is a phone dependent feature. Please refer to the manual of your phone for that function.

## Rejecting a Call

Double press multifunction key to reject a incoming call.

## Voice dialing (phone dependent)

Press the multifunction key for about 2 to 3 seconds when there is no call in active to initial voice dialing, and one high tone can be heard. To terminate voice dialing, press the multifunction key briefly again. Voice dialing cannot be used during a call

## Switching the Call between Phone and Headset

To switch the call from the headset to a connected device, press and hold the Volume Down key for about 2 seconds, or use the keys of your device.

To switch the call back to the headset, please use the related function key on the phone (please refer to phone instruction), or press and hold the Volume Down key on the headset for about 2 seconds.

## Redialing the Last Dialed Number (Phone dependent)

if your device supports last number redialing with the headset, press the multifunction key twice when no call is in progress

## Reconnecting the Paired Bluetooth Headset to a Compatible Phone

To reconnect the Bluetooth Headset to the last connected phone, proceed as follows:

1. Press and hold the multifunction key for 3 seconds to turn on the Bluetooth Headset.
2. Make sure your phone is on and Bluetooth function is enabled. Please refer to the phone's user guide and make the connection in the Bluetooth menu of your phone.
3. The phone should connect to the headset automatically. If not, please refer to 'Pairing the Bluetooth Headset with a Compatible Phone' section and performance pairing again,

## Other status

Status	Indicator light	Sound
Idle* (power on but not connected)	Green flashing once every 5 seconds	n/a
Battery low	Red flashing once every 2.5 seconds	Three descending tones
Charging	Red solid light	n/a
Call in active	Blue flashing once every 2.5 seconds	n/a

\* The headset will switch off automatically if in idle mode for 30 minutes.

## FCC statement

This equipment has been tested and found to comply with the limits for a Class B digital device, pursuant to Part 15 of the FCC Rules. These limits are designed to provide reasonable protection against harmful interference in a residential installation. This equipment generates, uses and can radiate radio frequency energy and if not installed and used in accordance with the instructions, may cause harmful interference to radio communications.

However, there is no guarantee that interference will not occur in a particular installation. If this equipment does cause harmful interference to radio or television reception, which can be determined by turning the equipment off and on. The user is encouraged to try to correct the interference by one of the following measures:

Reorient or relocate the receiving antenna.

Increase the separation between the equipment and receiver.

Connect the equipment into an outlet on a circuit different from that to which the receiver is connected.

Consult the dealer or an experienced radio/TV technician for help.

To assure continued compliance, any changes or modifications not expressly approved by the party responsible for compliance could void the user's authority to operate this equipment. (Example- use only shielded interface cables when connecting to computer or peripheral devices).

## FCC Radiation Exposure Statement

This equipment complies with Part 15 of the FCC Rules. Operation is subject to the following two conditions:

- (1) This device may not cause harmful interference, and
- (2) This device must accept any interference received, including interference that may cause undesired operation.

This device complies with FCC RF radiation exposure limits.