



HP Wireless Keyboard & Mouse

键盘鼠标

鍵盤滑鼠

Беспроводная клавиатура и мышь

Installation Guide

安裝手冊

安裝手冊

Инструкция по установке

© 2012 Hewlett-Packard Development
Company, L.P.

Microsoft, Windows, and Windows Vista are either trademarks or registered trademarks of Microsoft Corporation in the United States and/or other countries.

The only warranties for HP products and services are set forth in the express warranty statements accompanying such products and services. Nothing herein should be construed as constituting an additional warranty. HP shall not be liable for technical or editorial errors or omissions contained herein.


This document contains proprietary information that is protected by copyright. No part of this document may be photocopied, reproduced, or translated to another language without the prior written consent of Hewlett-Packard Company.


First Edition (January, 2012)

Document Part Number: 683404-001

About This Guide

This guide provides information on setting up and using the HP Wireless Keyboard & Mouse.

 **WARNING!** Text set off in this manner indicates that failure to follow directions could result in bodily harm or loss of life.

 **CAUTION:** Text set off in this manner indicates that failure to follow directions could result in damage to equipment or loss of information.


 **NOTE:** Text set off in this manner provides important supplemental information.

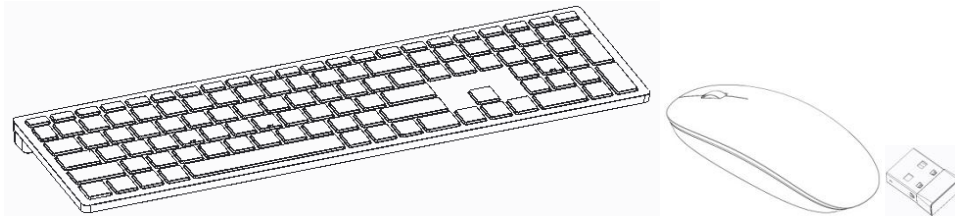
Table of contents

1	Setting Up the Keyboard and Mouse	1
	Introduction	1
	Initial Setup	2
	Using the Wireless Device Software	5
2	Troubleshooting	6
	Solving Common Problems	6
	Synchronizing the Wireless Devices	7
	Replacing the Keyboard and Mouse Batteries	7
	Appendix A Agency Regulatory Notices	9
	Federal Communications Commission Notice	9
	Modifications	9
	Cables	9
	Declaration of Conformity for Products Marked with the FCC Logo (United States Only)	9
	Wireless Devices	10
	Canadian Notice	10
	Avis Canadien	10
	European Union Regulatory Notice	10
	Mexico Notice	11
	Brazilian Notice	11
	Korean Notice	12
	Taiwan Notice	12
	Product Environmental Notices	13
	Materials Disposal	13
	Disposal of Waste Equipment by Users in Private Household in the European Union	13
	HP Recycling Program	13
	Chemical Substances	13
	Restriction of Hazardous Substances (RoHS)	13

1 Setting Up the Keyboard and Mouse

Introduction

Figure 1-1 Kit Contents



Ensure that you have the following contents in the wireless accessory kit.

- Wireless Keyboard
- Wireless Optical Mouse
- USB Receiver
- Two Energizer AA Alkaline batteries each included inside the keyboard and mouse battery compartments
- *I/O and Security Software and Documentation CD*, containing wireless applet and user documentation

Initial Setup

1. Pull the tabs on the back of the keyboard and mouse to activate the pre-installed batteries.

Figure 1-2 Activating the Keyboard Batteries

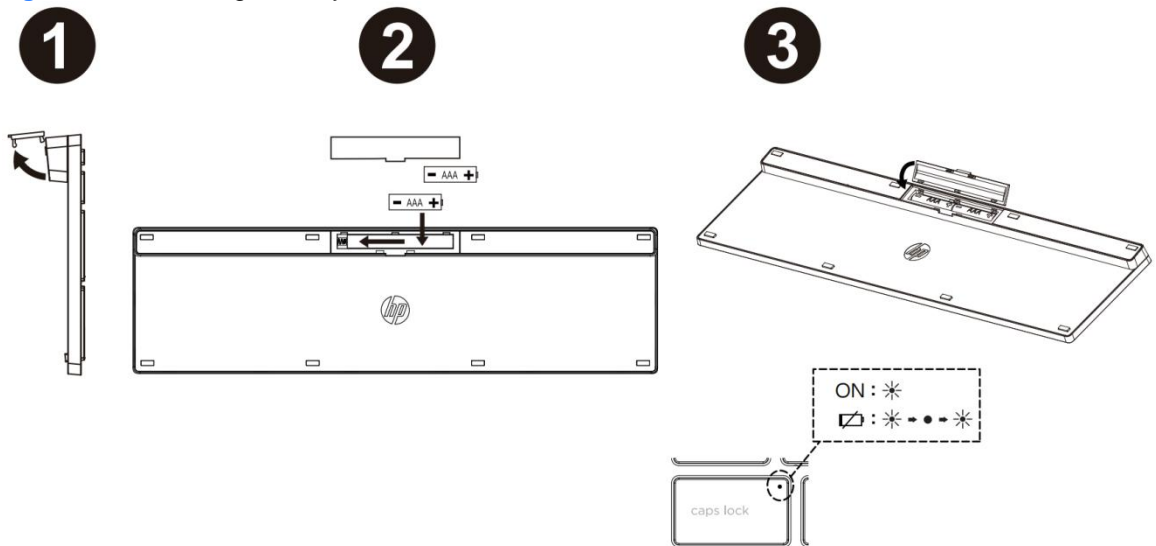
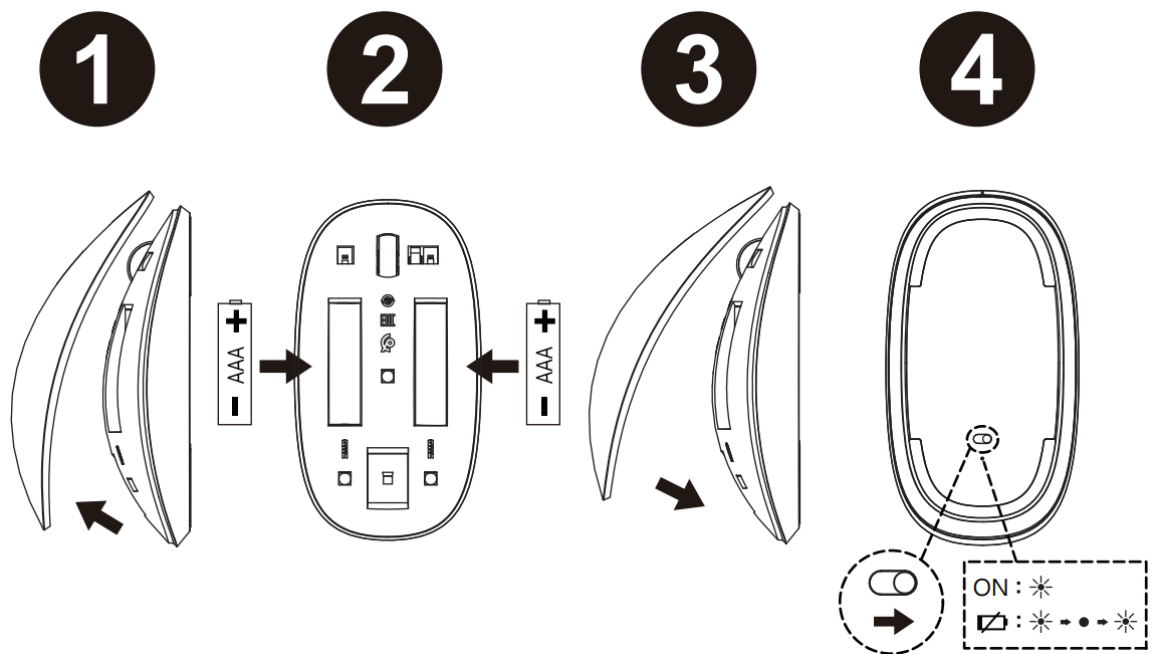



Figure 1-3 Activating the Mouse Batteries



 **NOTE:** For better mouse battery life and performance, avoid using the mouse on a dark or high-gloss surface, and turn the mouse power off when not in use.

2. Ensure the power switch on the bottom side of the mouse is in the ON position.


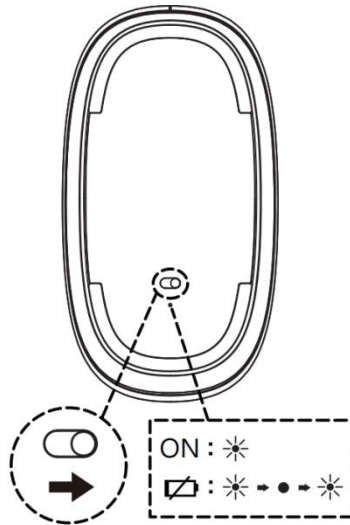
 **NOTE:** The keyboard does not have an ON/OFF power switch.

Figure 1-4 Turning on the Mouse Power Switch



3. Plug the receiver into a USB port on the computer.


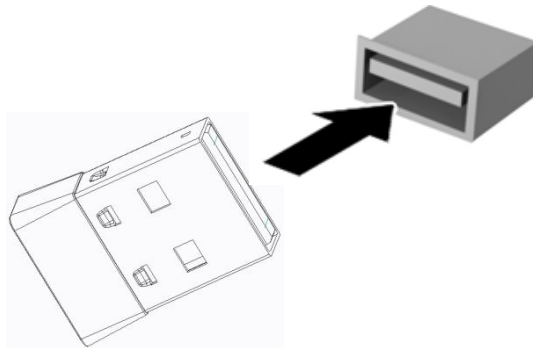

 **NOTE:** Some desktop and workstation All-in-One computers have an internal compartment with a designated USB port for wireless input devices. Refer to the *Hardware Reference Guide* for your model to identify the location.

Figure 1-5 Inserting the USB Receiver

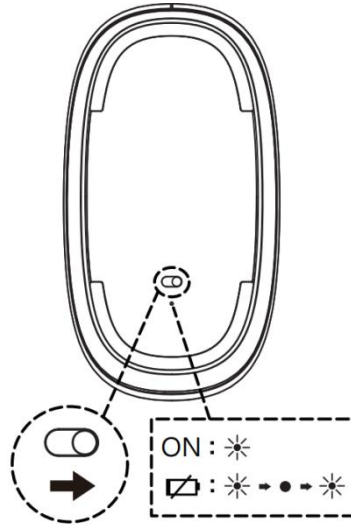


4. Press the Connect button on the receiver for approximately five seconds.
5. While the status light on the receiver is flashing, quickly press the Connect button on the mouse. The status light on the receiver will stop flashing indicating that the devices have been synchronized.

 **NOTE:** The mouse must be within 30 cm of the USB receiver for proper synchronization.

The wireless keyboard is shipped pre-synchronized from the factory and does not need to be synchronized with the receiver during initial setup.

Figure 1-7 Turn on the Mouse power Button to connect



2 Troubleshooting

Solving Common Problems


When the wireless devices are activated, each wireless device should have a different ID to avoid conflict. The wireless set has 78 channels and 65,535 IDs.

Problem	Possible Cause	Solution
Keyboard or mouse is not functioning.	The tab on the battery compartment was not removed.	Pull the tab from the keyboard and mouse battery compartments to activate the batteries.
	Batteries are not seated properly.	Remove the batteries and ensure that the positive and negative terminals are positioned correctly and the batteries are properly inserted in the compartments, then replace the battery doors.
	Batteries are weak.	Replace the batteries. NOTE: If the wireless applet is not installed, install it from the <i>I/O and Security Software and Documentation</i> CD to identify the battery condition of the devices.
	Devices may not be synchronized after replacing one of the devices.	Synchronize the devices. Refer to Synchronizing the Wireless Devices on page 7 for instructions.
LED on the USB receiver does not blink after pressing the Connect button for synchronization.	Button was not held down long enough.	Ensure the USB receiver is fully inserted into a USB port and hold down the button on the receiver for five seconds. Refer to Synchronizing the Wireless Devices on page 7 for details.
Devices are not synchronizing.	Keyboard or mouse is too far away from the transceiver to synchronize.	During the synchronization process, ensure that the device being synchronized is within 30 cm of the transceiver.
Unable to identify if battery status is low or if the Caps Lock, Num Lock, or Scroll Lock keys are enabled.	The status software was not installed from the <i>I/O and Security Software and Documentation</i> CD.	Install the status software as described on page 5.
The battery status software did not warn me before the keyboard or mouse stopped working.	The status software is not installed.	Install the status software as described on page 5.
	The status software was closed or ignored.	Do not ignore the warning when the batteries become low. The GUI will show you that the battery status is low, reminding you to replace the batteries. If closed, it will pop up again providing additional warning notifications until the batteries are replaced.
Multimedia keys and other special function keys do not work.	The Fn key was not initiated to enable the special hot keys.	Press the Fn key and hold it down. While holding down the Fn key, press the desired Function key (such as F5, F6, F7, etc.) to activate the hot key for that Function key.

Problem	Possible Cause	Solution
The wireless keyboard or mouse is experiencing interference issues.	Similar 2.4GHz frequency devices nearby keyboard/mouse/USB receiver cause interference.	Keep other electrical devices, such as wireless speakers, at least 20 cm (8 inches) away from the transceiver.
The wireless laser mouse is not tracking properly or is acting jumpy/jerky.	The surface under the mouse is not conducive to optimal performance.	Place a mouse pad under the mouse.

Synchronizing the Wireless Devices


The wireless keyboard in the kit is shipped pre-synchronized from the factory. The wireless mouse should be synchronized during initial setup. You only need to synchronize the devices again if you replace either the keyboard, mouse, or USB receiver.

 **NOTE:** The keyboard and mouse must be within 30 cm of the USB receiver during the synchronization process.

1. Ensure that the computer is turned on, the batteries are installed in the keyboard and mouse and the pull tabs have been removed from the battery compartments, the switch on the bottom of the mouse is in the ON position, and the USB receiver is plugged into a USB port on the computer.
2. Press the Connect button on the receiver for approximately five seconds. The status light on the receiver will flash for a few seconds when the Connect button is pressed.
3. While the status light on the receiver is flashing, quickly press the Connect button on the underside of the keyboard. The status light on the receiver will stop flashing indicating that the devices have been synchronized.
4. Press the Connect button on the receiver again for approximately five seconds. The status light on the receiver will flash for a few seconds when the Connect button is pressed.
5. While the status light on the receiver is flashing, quickly press the Connect button on the underside of the mouse. The status light on the receiver will stop flashing indicating that the devices have been synchronized.

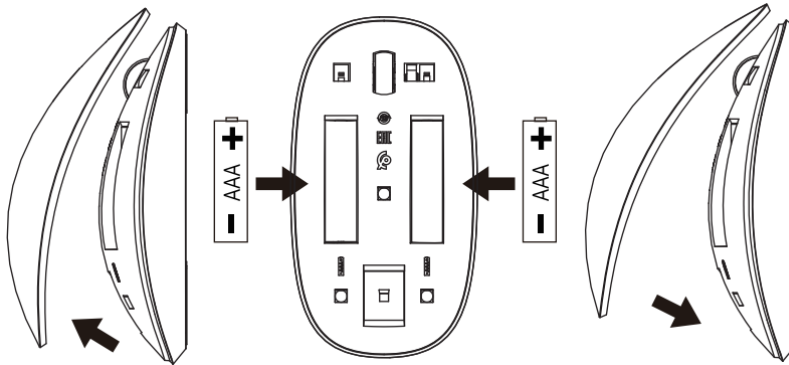
Replacing the Keyboard and Mouse Batteries

The wireless devices use AA Alkaline batteries. Use only AA Alkaline batteries for optimal performance. Using unsupported batteries will reduce product performance and could void the warranty and potentially damage the product. Dispose of used batteries properly.

 **NOTE:** To prolong the life of the mouse batteries, turn the mouse power off when not in use.

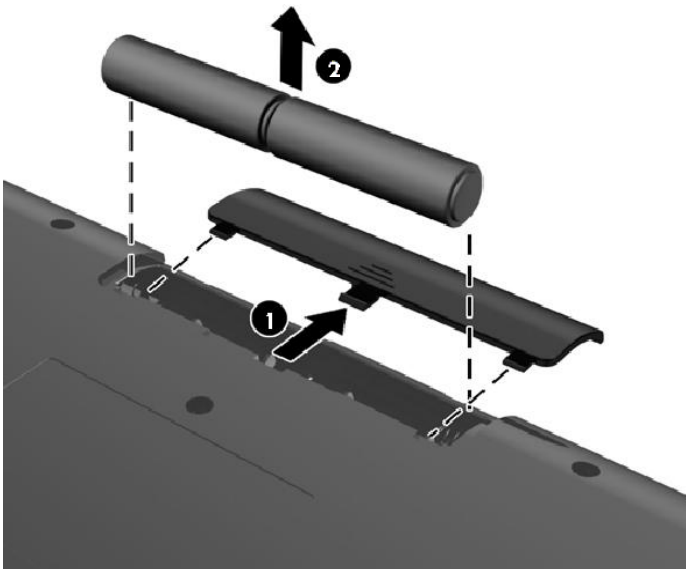
1. Remove the battery compartment cover on the underside of the mouse (1) and pull the batteries out of the compartment (2).

Figure 2-1 Removing the Mouse Batteries



2. Install the new batteries in the mouse and replace the cover. Be sure to follow the indicators in the battery compartment for proper battery placement.
3. Remove the battery compartment cover on the underside of the keyboard (1) and pull the batteries out of the compartment (2).

Figure 2-2 Removing the Keyboard Batteries



4. Install the new batteries in the keyboard and replace the cover. Be sure to follow the indicators in the battery compartment for proper battery placement.

A Agency Regulatory Notices

Wireless Devices

In some environments, the use of wireless devices may be restricted. Such restrictions may apply on-board airplanes, in hospitals, near explosives, in hazardous locations, and so on. If you are uncertain of the policy that applies to the use of this product, ask for authorization to use it before you turn it on.

Federal Communications Commission Notice

This equipment has been tested and found to comply with the limits for a Class B digital device, pursuant to part 15 of the FCC Rules. These limits are designed to provide reasonable protection against harmful interference in a residential installation. This equipment generates, uses and can radiate radio frequency energy and, if not installed and used in accordance with the instructions, may cause harmful interference to radio communications. However, there is no guarantee that interference will not occur in a particular installation. If this equipment does cause harmful interference to radio or television reception, which can be determined by turning the equipment off and on, the user is encouraged to try to correct the interference by one or more of the following measures:

- Reorient or relocate the receiving antenna.
- Increase the separation between the equipment and receiver.
- Connect the equipment into an outlet on a circuit different from that to which the receiver is connected.
- Consult the dealer or an experienced radio/TV technician for help.

For questions regarding this FCC declaration, contact:

HP Inc.
1501 Page Mill Road
Palo Alto, CA 94304
or call HP at 650-857-1501.

To identify this product, refer to the Part, Series, or Model number found on the product.

Declaration of Conformity for Products Marked with the FCC Logo (United States Only)

This device complies with Part 15 of the FCC Rules. Operation is subject to the following two conditions:

1. This device may not cause harmful interference.
2. This device must accept any interference received, including interference that may cause undesired operation.

Modifications

The FCC requires the user to be notified that any changes or modifications made to this device that are not expressly approved by HP Inc. may void the user's authority to operate the equipment.

Cables

Connections to this device must be made with shielded cables with metallic RFI/EMI connector hoods to maintain compliance with FCC Rules and Regulations.

For use only with UL Listed I.T.E. computer.

CAUTION: Risk of Explosion if Battery is replaced by an Incorrect Type. Dispose of Used Batteries According to the Instructions.

For questions regarding the product, contact:

HP Inc.
U.S. Incorporation in Delaware Address:
1209 Orange Street
Wilmington, Delaware 19801
County of New Castle, USA

Canadian Notice

Operation is subject to the following two conditions: (1) This device may not cause harmful interference, and (2) this device must accept any interference received, including interference that may cause undesired operation.

Notice for Licence-Exempt Radio Apparatus

This device complies with Industry Canada license-exempt RSS standard(s). Operation is subject to the following two conditions: (1) this device may not cause interference, and (2) this device must accept any interference, including interference that may cause undesired operation of the device.

Avis Canadien

L'utilisation de ce dispositif est autorisée seulement aux conditions suivantes: (1) il ne doit pas produire de brouillage, et (2) l'utilisateur du dispositif doit être prêt à accepter tout brouillage radioélectrique reçu, même si ce brouillage est susceptible de compromettre le fonctionnement du dispositif.

Cet appareil est conforme aux normes d'exemption de licence RSS d'Industry Canada. Son fonctionnement est soumis aux deux conditions suivantes : (1) cet appareil ne doit pas causer d'interférence et (2) cet appareil doit accepter toute interférence, notamment les interférences qui peuvent affecter son fonctionnement.

Pour utilisation uniquement avec un ordinateur I.T.E. répertorié

European Union Regulatory Notice

Products bearing the CE marking comply with the following EU Directives:

- RED 2014/53/EU
- Low Voltage Directive 2014/35/EC
- EMC Directive 2014/30/EC
- RoHS Directive 2011/65/EU

CE compliance of this product is valid if powered with the correct CE-marked AC adapter provided by HP.

Compliance with these directives is assessed using applicable European Harmonised Standards.

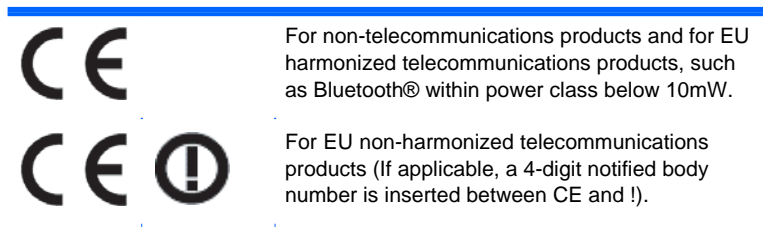
Radio frequency bands and maximum power levels (select products only)

Radio Technology	Maximum Transmit Power EIRP (mW)
Non-specific Short Range Device: 2.4 GHz	10

Note: Use only HP-supported software drivers and correct country settings to ensure compliance. The point of contact for regulatory matters is HP Deutschland GmbH, HQ-TRE, 71025, Boeblingen, Germany.

Compliance with these directives implies conformity to applicable harmonized European standards (European Norms) that are listed in the EU Declaration of Conformity issued by HP for this product or product family and available (in English only) either within the product documentation or at the following web site: <http://www.hp.eu/certificates> (type the product number in the search field).

The compliance is indicated by one of the following conformity markings placed on the product:



Please refer to the regulatory label provided on the product.

The telecommunications functionality of this product may be used in the following EU and EFTA countries: Austria, Belgium, Bulgaria, Cyprus, Czech Republic, Denmark, Estonia, Finland, France, Germany, Greece, Hungary, Iceland, Ireland, Italy, Latvia, Liechtenstein, Lithuania, Luxembourg, Malta, Netherlands, Norway, Poland, Portugal, Romania, Slovak Republic, Slovenia, Spain, Sweden, Switzerland, and United Kingdom.

The point of contact for regulatory matters is: Hewlett-Packard GmbH, Dept./ MS: HQ-TRE, Herrenberger Strasse 140, 71034 Boeblingen, GERMANY.

DC symbol  marking on the product label

To indicate on the rating plate that the equipment is suitable for direct current only; to identify relevant terminals.

Mexico Notice

La operación de este equipo está sujeta a las siguientes dos condiciones: (1) este equipo puede que no cause interferencia y (2) este equipo debe aceptar cualquier interferencia, incluyendo interferencia que pueda ser causada por la operación no deseada.

Brazilian Notice

Este equipamento opera em caráter secundário, isto é, não tem direito a proteção contra interferência prejudicial, mesmo de estações do mesmo tipo, e não pode causar interferência a sistemas operando em caráter primário.

Korean Notice

해당 무선설비가 전파혼신 가능성이 있으므로 인명안전과 관련된 서비스는 할 수 없음

Taiwan Notice

低功率電波輻射性電機管理辦法第十二條

經型式認證合格之低功率射頻電機，非經許可，公司、商號或使用者均不得擅自變更頻率、加大功率或變更原設計之特性及功能。

第十四條

低功率射頻電機之使用不得影響飛航安全及干擾合法通信；經發現有干擾現象時，應立即停用，並改善至無干擾時方得繼續使用。前項合法通信，指依電信法規定作業之無線電通信。

低功率射頻電機須忍受合法通信或工業、科學及醫療用電波輻射性電機設備之干擾。

商品名稱	接收器	滑鼠	鍵盤
型號	HSA-P001D	HSA-P003M	HSA-P003K
額定電壓(V)	5V \equiv	3V \equiv	3V \equiv
額定輸入電流	80mA	40mA	25mA
製造年份及號碼	參考產品底部標籤		
生產國別	中國製造		
使用方法	參考使用手冊		
進口/委製廠商	台灣惠普資訊科技股份有限公司		
地址	台北市南港區經貿二路66號10樓		
電話	02-25106000		

單元	限用物質及其化學符號					
	鉛 (Pb)	汞 (Hg)	鎘 (Cd)	六價鉻 (Cr+6)	多溴聯苯 (PBB)	多溴二苯醚 (PBDE)
電路板 Circuit Board	-	○	○	○	○	○
外殼 Shell	○	○	○	○	○	○
金屬結構件 Metal Part	-	○	○	○	○	○
線材 Cable	-	○	○	○	○	○

備考1. “超出0.1 wt %” 及 “超出0.01 wt %” 係指限用物質之百分比含量超出百分比含量基準值。
備考2. “○” 係指該項限用物質之百分比含量未超出百分比含量基準值。
備考3. “-” 係指該項限用物質為排除項目。

Restriction of Hazardous Substances (RoHS)

A Japanese regulatory requirement, defined by specification JIS C 0950, 2005, mandates that manufacturers provide Material Content Declarations for certain categories of electronic products offered for sale after July 1, 2006. To view the JIS C 0950 material declaration for this product, visit <http://www.hp.com/go/jisc0950>.

2008年、日本における製品含有表示方法、JISC0950が公示されました。製造事業者は、2006年7月1日以降に販売される電気・電子機器の特定化学物質の含有に付きまして情報提供を義務付けられました。製品の部材表示に付きましては、<http://www.hp.com/go/jisc0950>を参照してください

China Notice

产品中有害无职或元素的名称及含量

根据中国《《电器电子产品有害物质限制使用管理办法》》



部件名称	铅 (Pb)	汞 (Hg)	鎘 (Cd)	六价格 (Cr(VI))	多溴联苯 (PBB)	多溴二苯醚 (PBDE)
键盘	×	○	○	○	○	○
鼠标	×	○	○	○	○	○

本表格依据SJ / T 11364的规定编制

○: 表示该有害物质在该部件中所有均质材料的含量均在GB / T 26572规定的限量要求以下

×: 表示该有害物质至少在该部件的某一均质材料中含量超出GB / T 26572的规定的限量要求，此表中该有部分均符合欧盟RoHS立法

注：环保使用期限的参考标准取决于产品正常工作的温度和湿度等条件

Product Environmental Notices

Materials Disposal

This HP product contains Mercury in the fluorescent lamp in the display that might require special handling at end-of-life.

Disposal of this material can be regulated because of environmental considerations. For disposal or recycling information, contact your local authorities or the Electronic Industries Alliance (EIA) (<http://www.eiae.org>).

Disposal of Waste Equipment by Users in Private Household in the European Union



This symbol on the product or on its packaging indicates that this product must not be disposed of with your household waste. Instead, it is your responsibility to dispose of your waste equipment by handing it over to a designated collection point for the recycling or waste electrical and electronic equipment. The separate collection and recycling of your waste equipment at the time of disposal will help to conserve natural resources and ensure that it is recycled in a manner that protects human health and the environment. For more information about where you can drop off your waste equipment for recycling, please contact the local city office, the household waste disposal service or the shop where you purchased the product.

HP Recycling Program

HP encourages customers to recycle used electronic hardware, HP original print cartridges, and rechargeable batteries. For more information about recycling programs, go to <http://www.hp.com/recycle>.

Chemical Substances

HP is committed to providing our customers with information about the chemical substances in our products as needed to comply with legal requirements such as REACH (*Regulation EC No 1907/2006 of the European Parliament and the Council*). A chemical information report for this product can be found at: <http://www.hp.com/go/reach>

Restriction of Hazardous Substances (RoHS)

A Japanese regulatory requirement, defined by specification JIS C 0950, 2005, mandates that manufacturers provide Material Content Declarations for certain categories of electronic products offered for sale after July 1, 2006. To view the JIS C 0950 material declaration for this product, visit <http://www.hp.com/go/jisc0950>.

2008年、日本における製品含有表示方法、JISC0950が公示されました。製造事業者は、2006年7月1日以降に販売される電気・電子機器の特定化学物質の含有に付きまして情報提供を義務付けられました。製品の部材表示に付きましては、<http://www.hp.com/go/jisc0950>を参照してください

