



## **2.4G Wireless Keyboard and Touchpad set**

### **User' s Guide**

## Warranty

### ONE-YEAR LIMITED WARRANTY ON PARTS AND LABOR

*(Covers units purchased as new in United States and Puerto Rico Only)*

VIZIO provides a warranty to the original purchaser of its products against defects in materials and workmanship for a period of one year of non-commercial usage and ninety (90) days of commercial use. If a VIZIO product is defective within the warranty period, VIZIO will either repair or replace the unit at its sole option and discretion.

To obtain warranty service, contact VIZIO Technical Support via email: [TechSupport@VIZIO.com](mailto:TechSupport@VIZIO.com) or via phone at 877 MY VIZIO (877.698.4946) from 6:00AM to 9:00PM Monday through Friday and 8:00AM to 4:00PM Saturday and Sunday,

Pacific time, or visit [www.VIZIO.com](http://www.VIZIO.com). Proof of purchase in the form of a purchase receipt or copy thereof is required.

### Parts and Labor

There will be no charge for parts or labor during the warranty period. Replacement parts and units may be new or recertified at VIZIO' s option and sole discretion. Replacement parts and units are warranted for the remaining portion of the original warranty or for ninety (90) days from warranty service or replacement, whichever is later.

### Types of Service

Units 30" or larger will usually be serviced in-home. In-home service requires complete and easy access to the unit and does not include de-installation or re-installation of the product. However, in some cases, it may be necessary to send the unit to a VIZIO service center. VIZIO will cover the transportation charges to and from the same customer location.

Units less than 30" must be sent to a VIZIO service center. VIZIO is not responsible for transportation costs to the service center, but VIZIO will cover return shipping to the customer. **PRE-AUTHORIZATION IS REQUIRED BEFORE SENDING ANY UNIT IN FOR SERVICE.**

Any returns to VIZIO' s service centers must utilize either the original carton box and shipping material or a replacement box and material provided by VIZIO. VIZIO technical support will provide instructions for packing and shipping the unit to the VIZIO service center.

### Limitations and Exclusions

VIZIO' s one-year limited warranty only covers defects in materials and workmanship. Items not covered include but are not limited to cosmetic damage, normal wear and tear, misuse, signal issues, power surges, and damages from shipping, acts of God, any sort of customer misuse, installation, customer modifications, adjustments, and set-up issues. Units with unreadable or removed serial numbers, "image burn-in" , and routine maintenance are not covered. This warranty does not cover products sold "AS IS" , "FACTORY RECERTIFIED" , or by a non-authorized reseller.

THERE ARE NO EXPRESS WARRANTIES OTHER THAN THOSE LISTED OR DESCRIBED ABOVE. ANY IMPLIED WARRANTIES, INCLUDING ANY IMPLIED WARRANTY OF MERCHANTABILITY AND FITNESS FOR A PARTICULAR PURPOSE, SHALL BE LIMITED IN DURATION TO THE PERIOD OF TIME SET FORTH ABOVE. VIZIO'S TOTAL LIABILITY FOR ANY AND ALL LOSSES AND DAMAGES RESULTING FROM ANY CAUSE WHATSOEVER SHALL IN NO EVENT EXCEED THE PURCHASE PRICE OF THE DISPLAY. VIZIO SHALL NOT BE RESPONSIBLE FOR LOSS OF USE, COMMERCIAL LOSS, LOST REVENUE OR LOST PROFITS, OR OTHER INCIDENTAL OR CONSEQUENTIAL DAMAGES. SOME STATES DO NOT ALLOW LIMITATIONS ON HOW LONG AN

IMPLIED WARRANTY LASTS OR THE EXCLUSION OF INCIDENTAL OR CONSEQUENTIAL DAMAGES, SO THE ABOVE LIMITATIONS OR EXCLUSIONS MAY NOT APPLY TO YOU. THIS WARRANTY GIVES YOU SPECIFIC LEGAL RIGHTS, AND YOU MAY ALSO HAVE OTHER RIGHTS, WHICH VARY FROM STATE TO STATE. THIS WARRANTY IS SUBJECT TO CHANGE WITHOUT NOTICE. CHECK [www.VIZIO.com](http://www.VIZIO.com) FOR THE MOST CURRENT VERSION.

## Personal Data

If your VIZIO product is capable of storing personal data and other information, **ALL CONTENTS AND INFORMATION WILL BE DELETED IN THE COURSE OF SOME IN-HOME AND ALL SHIP-IN WARRANTY SERVICE.** If this occurs, your product will be restored to you configured as originally purchased. You will be responsible for restoring all applicable data and passwords. Recovery and reinstallation of user data is not covered under this Limited Warranty. In order to protect your personal information, VIZIO recommends that you always clear all personal information from the unit before it is serviced, regardless of the servicer..

## To Our Valued Customer

Congratulations on your decision to purchase a Desktop computer! During development, the computer must pass extensive quality tests to meet the rigorous standards that have made us famous for quality and reliability.

All of our computers go through a comprehensive quality test to ensure the computer is working correctly before it leaves our factory. In addition, we have placed a security seal on your computer to indicate that it has not been tampered with since it left our factory.

We know that expanding and upgrading are key benefits for all customers. We are proud to make this a key differentiator for our computers and understand that you may wish to upgrade your computer to meet your specific needs.

Any hardware upgrades that you intend to do should only be done after you have completely set up your new computer. Refer to the setup poster included with your system for help with setting up. If you have any problems setting up your system and turning it on, immediately contact the VIZIO Customer Care Center listed earlier in this Limited Warranty and Support Guide, and a VIZIO Customer Representative will assist you. This must be done first before attempting to upgrade your system.

By breaking the security seal on the back of the computer, you are confirming that the computer was working properly before you attempted to upgrade your system. Once the security seal has been broken, your computer is then, to the extent allowed by local law, covered under the terms and conditions listed in the "Hardware Limited Warranty" section.

Thank you for choosing this computer. We hope you enjoy discovering the exciting things you can do with it!

## Customer Support

Easy to reach. Easy to use. Award-winning VIZIO Customer Support is our promise to help you get the most from your computer. Whether with tools located on your computer, from information on the Web, by phone, or through your local retailer, you'll find what you need.

## Problems? VIZIO Will Help

Your new computer is built to work right now — and for many years to come. But it is a complex, powerful ALL-IN-ONE PC, and sometimes things go wrong. If that happens to your computer, VIZIO is ready to help.

## Getting Started

Follow the setup poster and the Getting Started guide for help with setting up and using your computer.

## See What You Can Do

There's lots of helpful information included with your computer. First look at Help on your Windows desktop (to access it, click **Start**, then click **Help and Support**). It contains more detailed help and will give you suggestions on how to fix the problem.

Within the Help and Support Center, you can get the latest news from VIZIO about your computer. Be sure to also check the updates from VIZIO that are sent to your desktop from time to time.

Next, try a little surfing! The VIZIO Web site has updated software, tips and tricks, answers for common problems, and other information. Go to the Support Web site listed earlier in this document and search for your computer model.

## Call VIZIO Customer Care Center

Finally, if these steps don't help, you can reach a real, knowledgeable person by calling the VIZIO Customer Care Center in your area. Phone assistance to get you up and running is covered for thirty (30) days from the time you purchased your computer. After thirty (30) days, there may be a charge, but the helpful support is still available.

## And, if Necessary: Get Repair

- If your computer needs to be repaired or to have parts replaced, you have two choices:  
You can easily replace many of your computer parts that are considered consumer replaceable. This is the fastest method of repair, as many times we can send the part directly to your home or business in a few days.
- If a repair is necessary, the VIZIO Customer Care Center will make arrangements to fix your computer. These services are covered during the warranty period.

There are a few limitations and exclusions to this warranty (as well as some important details), which are described in the "Hardware Limited Warranty" section.

## Understanding Hard Disk Drive Space

The hard disk drive on the Hewlett-Packard and Compaq computers with the Microsoft Windows operating system preinstalled may appear to be smaller than what is stated in the product specifications, in the documentation, or on the box. Hard disk drives are described and advertised by manufacturers in terms of decimal (base 10) capacity. Microsoft Windows and other programs, such as FDISK, use the binary (base 2) numbering system.

In decimal notation, one megabyte (MB) is equal to 1,000,000 bytes, and one gigabyte (GB) is equal to 1,000,000,000 bytes. In the binary numbering system, one megabyte is equal to 1,048,576 bytes, and one gigabyte is equal to 1,073,741,824 bytes. Because of the different measuring systems, you may see a difference between the size reported by Microsoft Windows and the size advertised. The storage capacity of the hard disk drive is as advertised.

Microsoft Windows reports smaller capacity in the Windows Explorer tool and in the Computer window because it shows information about one partition on the hard disk drive at a time. One of the partitions contains the system recovery information.

## Note About Systems Configured with 4GB of Memory

For computers with a 32-bit operating system, all memory above 3GB may not be available because of system resource requirements. This limitation is not limited to VIZIO and Compaq systems. The memory above 3GB is used for system resources.

## Confirming Total Memory

The system BIOS displays the full 4GB of installed memory.

1. Turn on the ALL-IN-ONE PC.
2. Press the F1 key. The BIOS menu displays. Confirm the Total Installed Memory.

## Telephone & Technical Support

Products are often returned due to a technical problem rather than a defective product that may result in unnecessary shipping charges billed to you. Our trained support personnel can often resolve the problem over the phone. For more information on warranty service or repair, after the warranty period, contact our Support Department at the number below.

Customer support and quality service are integral parts of VIZIO's commitment to service excellence.

For technical assistance contact our VIZIO Technical Support Department via email or phone.

Email: [techsupport@VIZIO.com](mailto:techsupport@VIZIO.com)

(877) 698-4946 Fax: (949) 585-9563

Hours of operation: Monday - Friday: 6 am to 9 pm

Saturday – Sunday: 8 am to 4 pm

Have your VIZIO model number, serial number, and date of purchase available before you call.

**VIZIO**

Address:

39 Tesla

Irvine, CA 92618, USA

Telephone: (888) 849-4623 (949) 428-2525 Fax: (949) 585-9514

Web: [www.VIZIO.com](http://www.VIZIO.com)

## Operating Specifications

	Keyboard	Touchpad	Dongle
Electrical ratings	3V $\equiv$ 25mA	3V $\equiv$ 25mA	5V $\equiv$ 50mA
Operating temperature	5° to 35° C		
Storage temperature	-30° ~ 65°		
Operating humidity	15 to 80% @ 26° C		
Operating altitude	0~2000		
Storage altitude	0~4572		

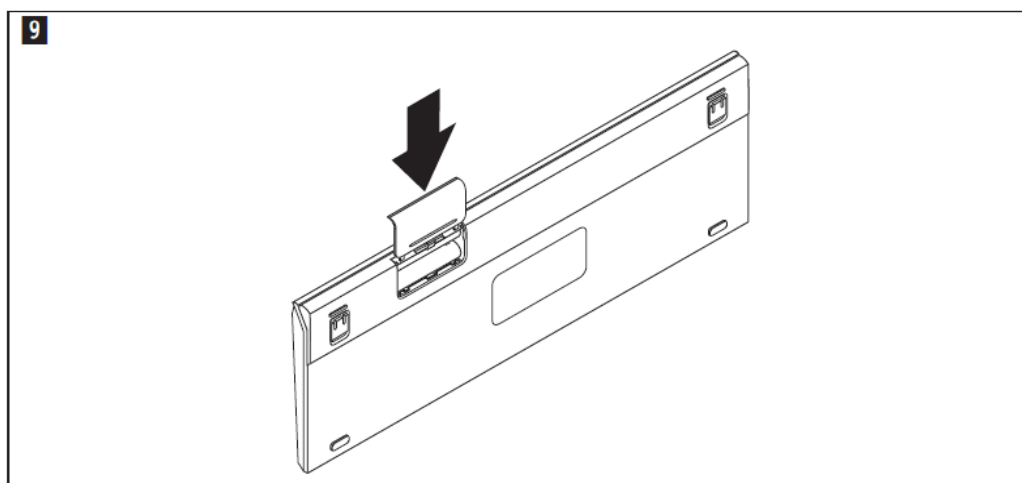
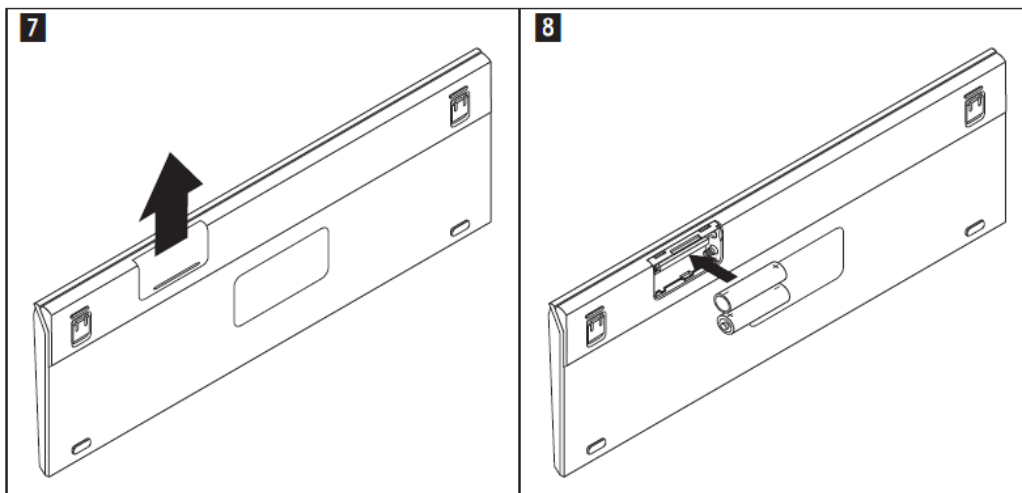
\* Refer to your computer' s ratings label located on the back of the computer to determine exact electrical rating.

\* Batteries are delivered with this product. When empty, do not throw them away but collect as small chemical waste.

### Connect the receiver

Your computer will take around 10 seconds to detect the keyboard.

This section provides information on installing the VIZIO Wireless Keyboard and Tracking Pad.



# XV AIO Keyboard and Touchpad set User Guide



**Important:** Before using the VIZIO Wireless Keyboard and Touchpad, be sure to correctly install the batteries for both the Keyboard and Touchpad.

To save your battery energy, do the following when you are not using the VIZIO Wireless Keyboard and Touchpad: Turn off the power supply on the Keyboard and Touchpad.

Telephone numbers are subject to change without notice. The most up-to-date telephone list for VIZIO Support is always available at: <http://www.VIZIO.com/support/?tab=b#downloads>

## Telephone technical support

Country or Region	Language	Telephone Number
Canada	English, French	
Mexico	Spanish	
United States	English	

## Touchpad

### About the Indicator Light

The indicator light displays the status of your Touchpad and Keyboard and the batteries.

- When you first turn on your Touchpad, the indicator light glows steadily for 2 to 3 seconds, indicating the batteries are good.
- If your Touchpad isn't paired with a ALL-IN-ONE PC, the light blinks to indicate your Touchpad is in discovery mode and ready to pair (pairing means connecting your Touchpad and ALL-IN-ONE PC to each other wirelessly).
- If you don't pair your Touchpad with your ALL-IN-ONE PC within 3 minutes, the light and the Touchpad turn off to conserve battery life. Press the On/off button on your Touchpad to turn it on again, allowing you to pair it with your ALL-IN-ONE PC.
- When your Touchpad is on and connected, the indicator light turns off.

### Turning on Your Touchpad and Keyboard

To turn your on Touchpad, press and hold the on/off button until the indicator light comes on.

### Pairing Your Touchpad and Keyboard

Put battery will automatically connect to Keyboard and Touchpad.

### Using Your Touchpad and Keyboard

Your Touchpad and Keyboard has a Multi-Tracking surface for moving the pointer and performing gestures.

Position your Touchpad and Keyboard on a firm level surface. When you move the pointer or perform gestures, you can rest your hand comfortably on the Touchpad and Keyboard and slide your fingers lightly on the surface.

When you perform Touchpad gestures, slide your fingers lightly on the Touchpad surface.



Touchpad gestures work in many applications.

Here are some ways to use your Touchpad and Keyboard:

- Drag two fingers up, down, or sideways to scroll in an active window.
- Secondary-click (right-click) to access shortcut menu commands.
- Use two-finger pinching to zoom in or out on PDFs, images, photos, and more.
- Use two-finger rotating to rotate photos, pages, and more.
- Swipe three fingers to rapidly page through documents, move to the previous or next photo, and more.
- Swipe four fingers left or right to activate Application Switcher so you can cycle through open applications. Four-finger swiping works in the Finder and all applications.
- Swipe four fingers up or down to show the desktop or display all open windows in Exposé.

For more information, see Touchpad preferences or choose Help > ALL-IN-ONE PC Help and search for "Touchpad."

## Important Information

<u>Product</u>	<u>Model</u>
Receiver (Build in ALL-IN-ONE PC)	DGRF67GB

## Federal Communications Commission Declaration of Conformity

Receiver (build in AIO)	FCC ID: EMJDDGRF67GB
Keyboard	FCC ID: EMJKKBRF6711
Touchpad	FCC ID: EMJPTPRFGB11

This equipment has been tested and found to comply with the limits for a Class B digital device, pursuant to part 15 of the FCC Rules. These limits are designed to provide reasonable protection against harmful interference in a residential installation. This equipment generates, uses and can radiate radio frequency energy and, if not installed and used in accordance with the instructions, may cause harmful interference to radio communications. However, there is no guarantee that interference will not occur in a particular installation. If this equipment does cause harmful interference to radio or television reception, which can be determined by turning the equipment off and on, the user is encouraged to try to correct the interference by one or more of the following measures:

- Reorient or relocate the receiving antenna.
- Increase the separation between the equipment and receiver.
- Connect the equipment into an outlet on a circuit different from that to which the receiver is connected.
- Consult the dealer or an experienced radio/TV technician for help."

This device complies with part 15 of the FCC Rules. Operation is subject to the following two conditions: (1) This device may not cause harmful interference, and (2) this device must accept any interference received, including interference that may cause undesired operation.

FCC Caution: Any changes or modifications not expressly approved by the party responsible for compliance could void the user's authority to operate this equipment.

## Canada Notice for Licence-Exempt Radio Apparatus

Receiver (build in AIO)	IC: 4251A-DDGRF67GB
Keyboard	IC: 4251A-KKBRF6711
Touchpad	IC: 4251A-PTPRFGB11

This device complies with RSS-210 of the Industry Canada Rules. Operation is subject to the following two conditions: (1) This device may not cause harmful interference, and (2) this device must accept any interference received, including interference that may cause undesired operation.

Ce dispositif est conforme à la norme CNR-210 d'Industrie Canada applicable aux appareils radio exempts de licence. Son fonctionnement est sujet aux deux conditions suivantes:

- 1) le dispositif ne doit pas produire de brouillage préjudiciable, et
- 2) ce dispositif doit accepter tout brouillage reçu, y compris un brouillage susceptible de provoquer un fonctionnement indésirable.

---

## Mexico Statement

Receiver (build in AIO)	Cofetel: <b>XXXXXXXX00-0000</b>
Keyboard	Cofetel: <b>XXXXXXXX00-0000</b>
Touchpad	Cofetel: <b>XXXXXXXX00-0000</b>

La operación de este equipo está sujeta a las siguientes dos condiciones: (1) es posible que este equipo o dispositivo no cause interferencia perjudicial y (2) este equipo o dispositivo debe aceptar cualquier interferencia, incluyendo la que pueda causar su operación no deseada.