

Dynex Wireless Mouse User Manual



Version 1.0

Table of Contents

| | |
|-------------------------------------|----------|
| Preface | 1 |
| About This Manual..... | 1 |
| Safety | 1 |
| Introducing your Mouse | 2 |
| System Requirements..... | 2 |
| Features | 2 |
| Package Contents | 2 |
| Product Views..... | 3 |
| Setting Up your Mouse | 4 |
| Connecting your Mouse | 5 |
| Using your Mouse | 6 |
| Troubleshooting | 6 |
| Specifications | 7 |
| Legal notices | 7 |
| FCC Statement..... | 7 |
| Canada ICES-003 Statement | 8 |
| Copyright | 8 |

Preface

Thank you for your purchase of this wireless mouse. Read this manual carefully and keep it in a safe place for future reference.

About This Manual

Every effort has been made to ensure that the contents of this manual are correct and up to date. However, no guarantee is made regarding the accuracy of the contents, and the manufacturer reserves the right to make changes without notice.

Safety

Before getting started, read these instructions and save them for future reference.

- Do not drop or hit your mouse.
- Do not use your mouse in a location that is subject to strong vibrations because vibration may damage your mouse.
- Do not disassemble or modify the product in any way. Disassembly or modification may void your warranty and could damage your mouse leading to a fire or electric shock.
- Do not use or store your mouse in damp locations. Liquid entering the product may cause damage or lead to fires or electric shock.
- Do not insert metal objects, such as coins or paper clips, into your mouse.
- Your mouse is for general computer use. Do not use your mouse with a computer that requires exceptional reliability, especially if a breakdown or malfunction of might jeopardize life or health, such as aerospace equipment, atomic power control systems, traffic-related equipment, transportation equipment, industrial robotics, combustion equipment, safety devices, and life-support systems.

Introducing your Mouse

Read this section to learn about the features and functions of your wireless mouse. This chapter also covers system requirements, package contents, and front and rear views.

System Requirements

Your computer must meet these requirements:

- Pentium 133 MHz processor or higher
- 1 free USB port
- Windows 2000 / XP / Vista operating system
- 64MB of RAM recommended

Features

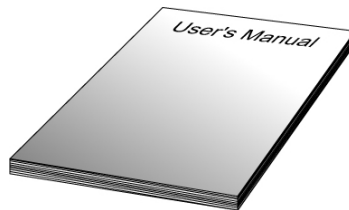
- Wireless USB receiver
- Advanced scroll wheel for added functionality
- Supports USB 1.1 and 2.0 specification

Package Contents

All the following items should be present when you receive your mouse combo package. If any item is missing or appears damaged, contact your dealer immediately.

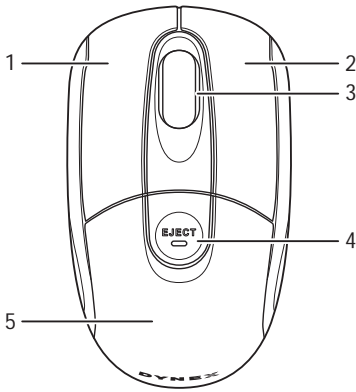


Wireless Mouse

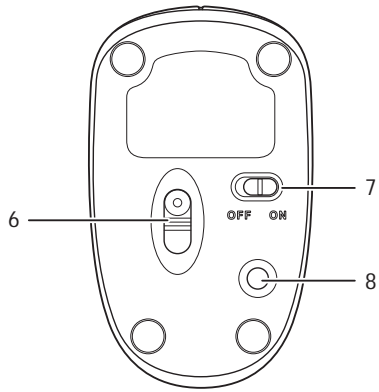


User Manual

Product Views



Front View



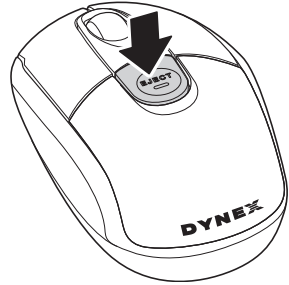
Back View

| | |
|---|---|
| 1 | Left mouse button |
| 2 | Right mouse button |
| 3 | Scroll wheel |
| 4 | Battery/USB receiver compartment eject button & power LED |
| 5 | Battery/USB receiver compartment |
| 6 | Optical sensor |
| 7 | Power button |
| 8 | Connect button |

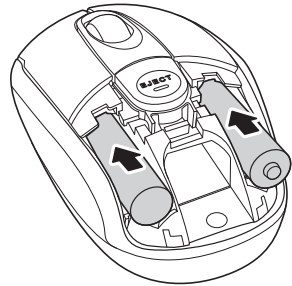
Setting Up your Mouse

Your mouse uses two AAA batteries. Do the following to insert the batteries and set up your mouse:

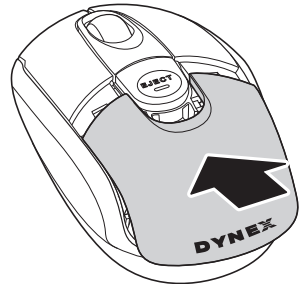
1. Push the battery/USB receiver compartment eject button down to open the compartment cover.



2. Insert two AAA batteries, observing the correct polarity.



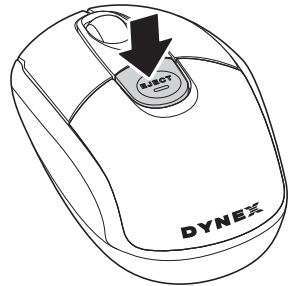
3. Close the battery/USB receiver compartment.



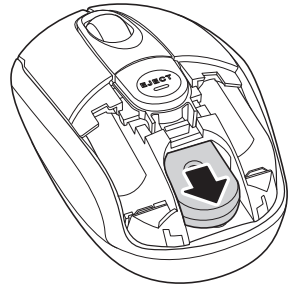
Connecting your Mouse

Do the following to connect your mouse:

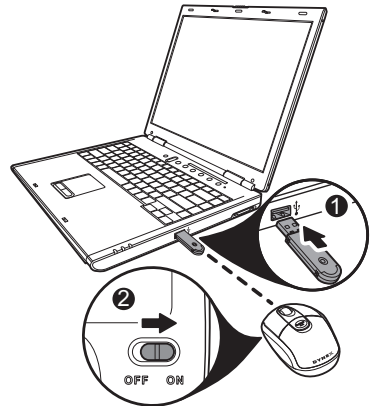
1. Push the battery/USB receiver compartment eject button down to open the compartment cover.



2. Pull out the USB receiver.



3. Connect the USB receiver to a free USB port on your notebook as shown below.
4. Turn over the mouse and switch the power button to the ON position. The computer will automatically detect the mouse.



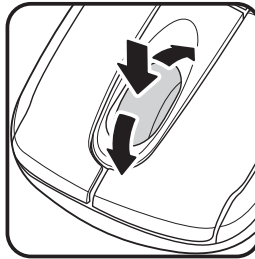
Note:

If your mouse does not connect automatically, press and hold the CONNECT button on the bottom of the mouse to establish a connection with the receiver.

Using your Mouse

Press the left and right mouse buttons to perform standard left and right button functions.

Use the scroll wheel to scroll up and down the screen. You can also press and hold the scroll button inwards, then move the mouse up and down to scroll up and down the screen.



Troubleshooting

If you have any problems with your mouse, please check the following:

- Check the system requirements to make sure that your system is compatible.
- Check to see if the USB receiver is securely connected to your PC via a USB port. A loose connection may cause a malfunction in the connection.
- If the mouse fails to work, check the USB mouse function in your system's BIOS. The function should be enabled for normal use.
- If your PC BIOS setup has mouse options, make sure they are set to default settings. If you are not familiar with the BIOS, refer to your PC's manual for more information.
- Only use the mouse on a clean, flat, non-slippery surface in order to ensure smooth and accurate cursor action.

For further assistance with any other questions you may have, please contact your dealer for technical support.

Specifications

| | |
|-------------------------|--|
| Mouse Dimensions | 32 (H) x 93 (L) x 55.5 (W) mm |
| USB Receiver Dimensions | 16.2 (H) x 50.1 (L) x 6.5 (W) mm |
| Resolution | 1000 DPI |
| Mouse Weight | 55g (without batteries inserted) |
| Dongle Weight | 4.0g |
| Mouse Buttons | 3 micro switches 1 rubber connect button 1 on/off switch |
| USB Receiver Buttons | 1 tact switch |
| Interface | USB Specification Revision 2.0 |
| Compatibility | Windows 2000/ XP/ Vista |
| Operating Temperature | 0° C to 40° C |
| Operating Humidity | 85% RH or less |
| Storage Temperature | -10° C to 50° C |
| Storage Humidity | 90% RH or less |

Legal notices

FCC Statement

This equipment has been tested and found to comply with the limits for a Class B digital device, pursuant to part 15 of the FCC Rules. These limits are designed to provide reasonable protection against harmful interference in a residential installation. This equipment generates, uses and can radiate radio frequency energy and, if not installed and used in accordance with the instructions, may cause harmful

interference to radio communications. However, there is no guarantee that interference will not occur in a particular installation. If this equipment does cause harmful interference to radio or television reception, which can be determined by turning the equipment off and on, the user is encouraged to try to correct the interference by one or more of the following measures:

- Reorient or relocate the receiving antenna.
- Increase the separation between the equipment and receiver.
- Connect the equipment into an outlet on a circuit different from that to which the receiver is connected.
- Consult the dealer or an experienced radio/ TV technician for help.

This device complies with Part 15 of the FCC Rules. Operation is subject to the following two conditions:

- (1) This device may not cause harmful interference.
- (2) This device must accept any interference received, including interference that may cause undesired operation.

Canada ICES-003 Statement

This Class B Digital apparatus complies with Canadian ICES-003

Copyright

© 2007 Dynex. DYNEX and the DYNEX logo are trademarks of Best Buy Enterprise Services, Inc. Other brands and product names are trademarks or registered trademarks of their respective holders. Specifications and features are subject to change without notice or obligation.

For service and support call (800) 305-2204.

Part 15.21 of the FCC Rules

FCC NOTE: THE MANUFACTURER IS NOT RESPONSIBLE FOR ANY RADIO OR TV INTERFERENCE CAUSED BY UNAUTHORIZED MODIFICATIONS TO THIS EQUIPMENT. SUCH MODIFICATIONS

8 COULD VOID THE USER'S AUTHORITY TO OPERATE THE EQUIPMENT.