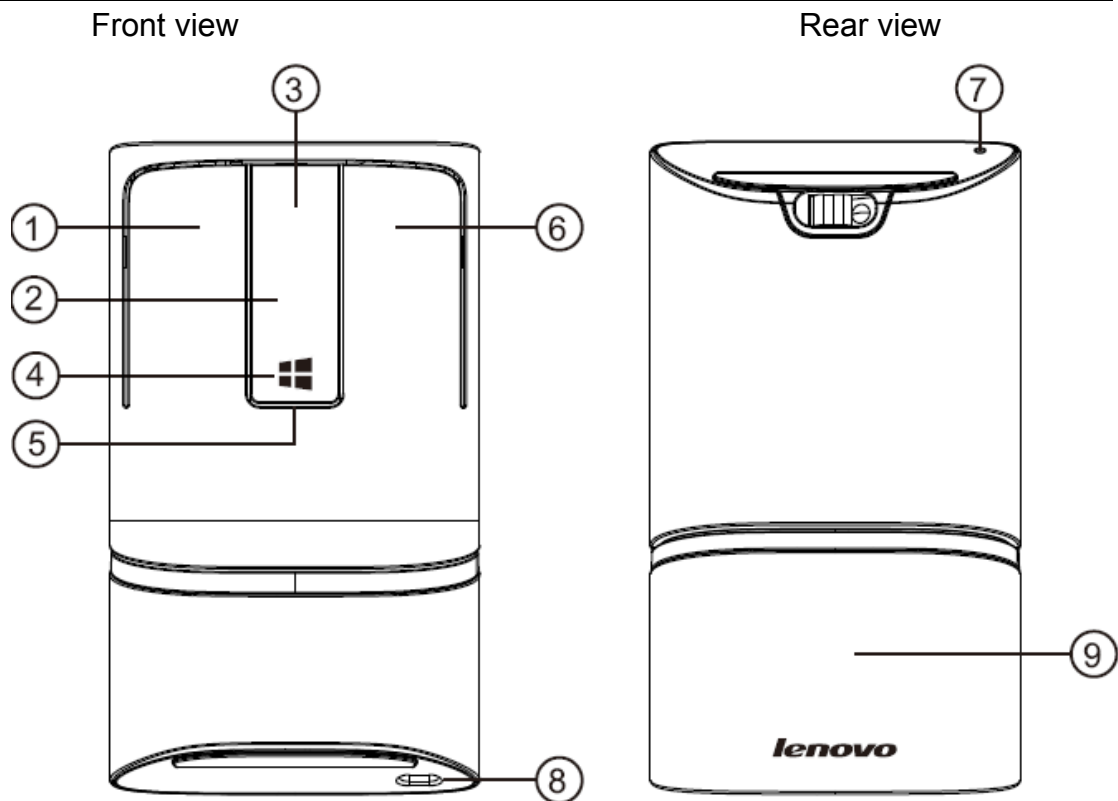


Dual Mode WL Touch Mouse N700

1. Features

No.	Component
1	Left button
2	Touch Bar
3	Middle Button
4	Windows Button
5	LED Indicator
6	Right Button
7	Laser Projector
8	Switch for Bluetooth 4.0 BLE pairing, Bluetooth 4.0 mode and 2.4GHz mode
9	Battery cover

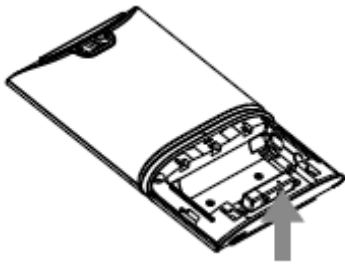


2. Setting up your mouse

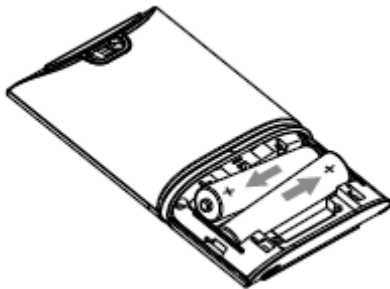
- 1) Open the battery cover and push it as shown



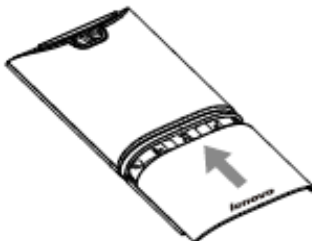
2) Take out the receiver



3) Insert two AAA batteries as shown

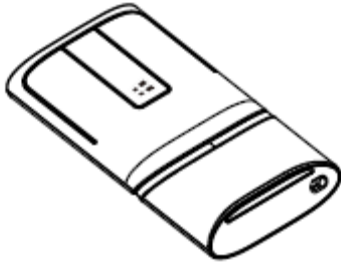


4) Close the battery cover as shown

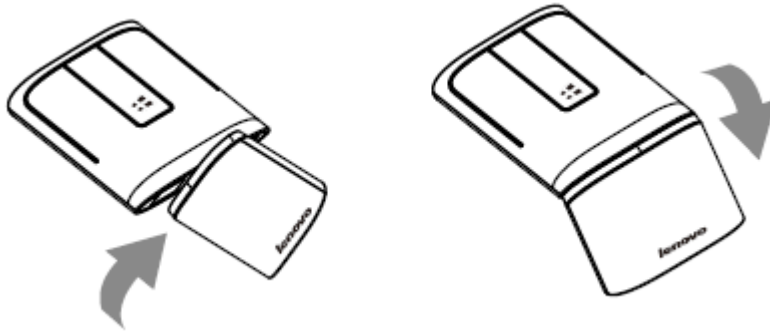


3. Choose a use mode

1) The device has switched to presenter mode as shown

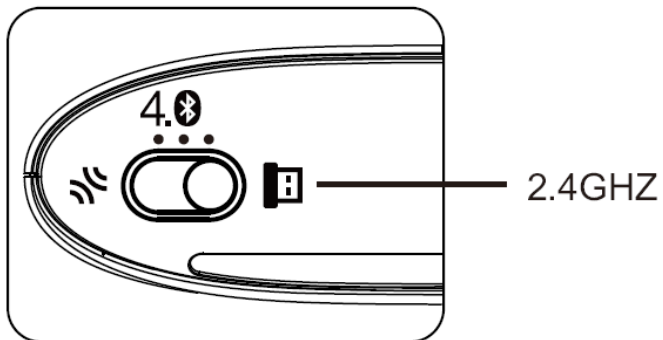


2) Rotate the bottom half of the device 180angle to switch to mouse mode as shown

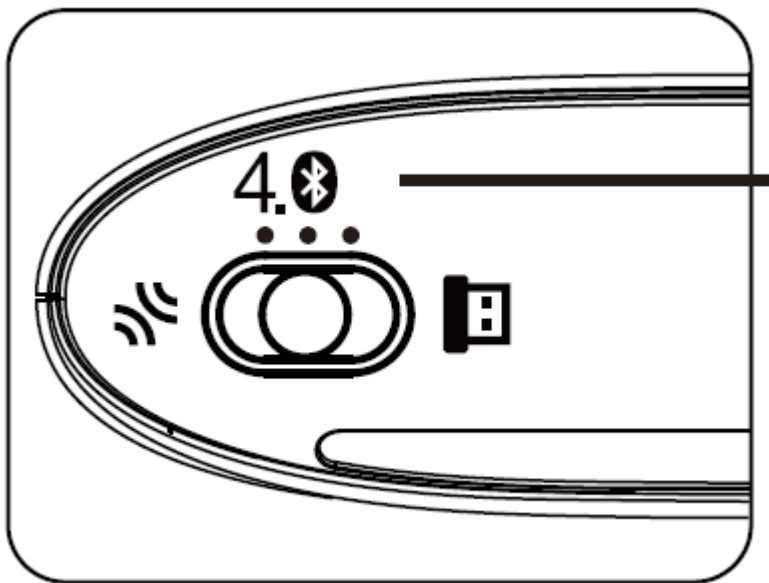
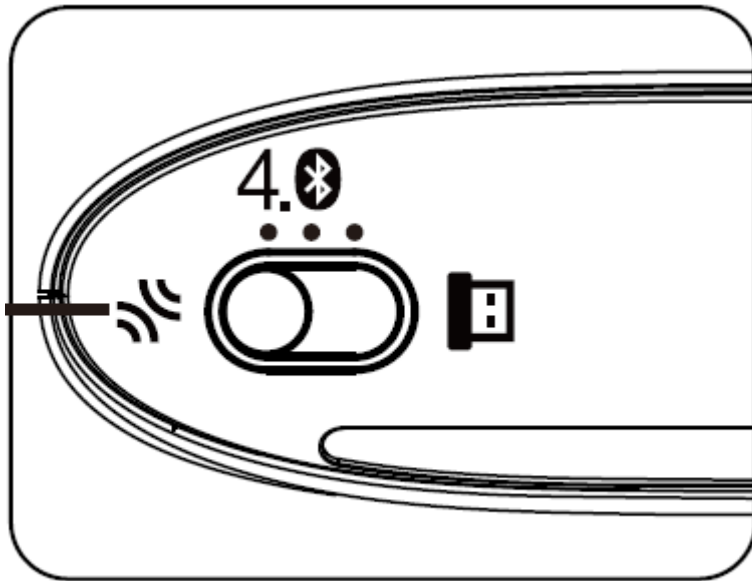


4. choose a wireless transmission mode

1) Set up the device as shown and switch to 2.4GHz wireless transmission mode




2) Set up the device as shown and switch to BT4.0BLE wireless transmission mode






5. Using your mouse

1) Mouse mode

OS request: Windows XP, Windows Vista, Windows 7, Windows 8 (The host needs to install Bluetooth 4.0 Chipset),

Gesture	Illustrations	Function	OS
Up or down		Scroll the page	For all Windows OS

Slide to left		Open the charms	Windows 8
Slide to right		Switch APPs	Windows 8
Press down		Open Metro UI	For all Windows OS

2) Presenter mode

- * Press down the Win or middle button to open or wake up presenter function.
- * Press down the left button to return the previous page.
- * Press down the right button to carry out the next page.
- * If no operation during 10 minutes , product will be entered deep sleep mode and Win or middle button can activate it.

6. LED indicator

- * The green LED indicator will be illuminates when the device is switched from presenter mode to mouse mode or pairing successfully.
- * The red LED indicator will continuously flashes for approximately 9 seconds when the battery level is low.

Replace the batteries immediately.

FCC Statement

United States of America Certification Number

Mouse : Lenovo N700

Dongle: DGRFG4

FCC ID: EMJMN700

FCC ID: EMJDDGRFG4



FCC Statement:

This equipment has been tested and found to comply with the limits for a Class B digital device, pursuant to part 15 of the FCC Rules. These limits are designed to provide reasonable protection against harmful interference in a residential installation. This equipment generates, uses and can radiate radio frequency energy and, if not installed and used in accordance with the instructions, may cause harmful interference to radio communications. However, there is no guarantee that interference will not occur in a particular installation. If this equipment does cause harmful interference to radio or television reception, which can be determined by turning the equipment off and on, the user is encouraged to try to correct the interference by one or more of the following measures:

- Reorient or relocate the receiving antenna.

- Increase the separation between the equipment and receiver.
- Connect the equipment into an outlet on a circuit different from that to which the receiver is connected.
- Consult the dealer or an experienced radio/TV technician for help."

FCC Caution:

Changes or modifications not expressly approved by the part responsible for compliance could void the user's authority to operate the equipment.

This device complies with Part 15 of the FCC Rules. Operation is subject to the following two conditions: (1) this device may not cause harmful interference, and (2) this device must accept any interference received, including interference that may cause undesired operation.

Responsible Party:

Lenovo (United States) Incorporated
1009 Think Place-Building One
Morrisville, NC 27560
Telephone: 1-919-294-5900

RF Exposure Statement

The radiated energy from the Lenovo N700 Mouse/Dongle conforms to the FCC limit of the SAR (Specific Absorption Rate) requirement set forth in 47 CFR Part 2 section 1093

IC Statement

Canada Certification Number

Canada Numéro de Certification

Mouse / souris: Lenovo N700

IC: 4251A-MN700

Dongle: DGRFG4

IC: 4251A-DGRFG4

Dongle

Industry Canada Class B emission compliance statement

Industry Canada, Class B "This Class "B" digital apparatus complies with Canadian ICES-003.

Cet appareil numérique de la classe "B" est conforme à la norme NMB-003 du Canada."

Mouse / Dongle

This device complies with RSS-210 of the Industry Canada Rules.

Operation is subject to the following two conditions: (1) This device may not cause harmful interference, and (2) this device must accept any interference received, including interference that may cause undesired operation.

Ce dispositif est conforme à la norme CNR-210 d'Industrie Canada applicable aux appareils radio exempts de licence. Son fonctionnement est sujet aux deux conditions suivantes:

- 1) le dispositif ne doit pas produire de brouillage préjudiciable, et
- 2) ce dispositif doit accepter tout brouillage reçu, y compris un brouillage susceptible de provoquer un fonctionnement indésirable

Low Power License-Exempt Radio Communication Devices (RSS-210)

Operation is subject to the following two conditions: (1) this device may not cause interference, and (2) this device must accept any interference, including interference that may cause undesired operation of the device.

Permis d'émission à faible puissance – Cas des appareils de communications radio

L'utilisation de ce dispositif est autorisée seulement aux conditions suivantes: il ne doit pas produire de brouillage, et (2) l'utilisateur du dispositif doit être prêt à accepter tout brouillage radioélectrique reçu, même si ce brouillage est susceptible de compromettre le fonctionnement du dispositif.

Exposure of humans to RF fields (RSS-102)

The Lenovo N700 Mouse and Dongles Keyboard, Mouse, and Dongle employ low

gain integral antennas that do not emit RF field in excess of Health Canada limits for the general population; consult Safety Code 6, obtainable from Health Canada's Web site at <http://www.hc-sc.gc.ca/>

The radiated energy from the Lenovo Ultralim Plus Wireless Keyboard, Mouse,

and Dongle antennas conforms to the IC limit of the RF exposure requirement regarding IC RSS-102, Issue 4 clause 4.1.

**Exposition des êtres humains aux champs radioélectriques (RF)
(CNR-102)**

Le clavier sans fil, la souris et le dongle Lenovo N700 mince plus utilisent des antennes intégrales à faible gain qui n'émettent pas un champ électromagnétique

supérieur aux normes imposées par le Ministère de la santé canadien pour la population ; consultez le Safety Code 6 sur le site Web du Ministère de la santé

canadien à l'adresse <http://www.hc-sc.gc.ca/>

L'énergie émise par les antennes du clavier sans fil, la souris et le dongle Lenovo

ultra mince plus respecte la limite d'exposition aux radiofréquences telle que définie par Industrie Canada dans la clause 4.1 du document CNR-102.

Battery Install and Dispose Instruction

CAUTION:

Risk of explosion if battery is replaced by an incorrect type.

Dispose of used batteries according to the Instructions.

Laser compliance

A mouse contain a laser that is classified as a Class 1 Laser Product in accordance with US FDA regulations and the IEC 60825-1. The product does not emit hazardous laser radiation.

Each laser product complies with 21 CFR 1040.10 and 1040.11 except for deviations pursuant to Laser Notice No. 50, dated June 24, 2007; and with IEC 60825-1:2007.

WARNING! Use of controls or adjustments or performance of procedures other than those specified herein or in the laser product's installation guide may result in hazardous radiation exposure.

To reduce the risk of exposure to hazardous radiation:

Do not try to open the module enclosure. There are no user-serviceable components inside.

Do not operate controls, make adjustments, or perform procedures to the laser device other than those specified herein.

Allow only Authorized service technicians to repair the unit.

Certification in Singapore

<p>Complies with IDA Standards DB102306</p>
--

中国无线电发射设备核准证号

Mouse 鼠标: Lenovo N700
CMIIT ID: TBD

Dongle 接收器: DGRFG4
CMIIT ID: TBD



Products intended for sale within the European Union are marked with the Conformité Européenne (CE) Marking, which indicates compliance with the applicable Directives and European Norms, and amendments, identified below.

Hereby, **Lenovo (Singapore) Pte. Ltd.**, declares that this **Lenovo Wireless Mouse** is in compliance with the essential requirements and other relevant provisions of Directive 1999/5/EC.

Česky [Czech]

Lenovo (Singapore) Pte. Ltd., tímto prohlašuje, že tento **Lenovo Wireless Mouse** je ve shodě se základními požadavky a dalšími příslušnými ustanoveními směrnice 1999/5/ES.

Dansk [Danish]

Undertegnede **Lenovo (Singapore) Pte. Ltd.** erklærer herved, at følgende udstyr **Lenovo Wireless Mouse** overholder de væsentlige krav og øvrige relevante krav i direktiv 1999/5/EF.

Eesti [Estonian]

Käesolevaga kinnitab **Lenovo (Singapore) Pte. Ltd.** seadme **Lenovo Wireless Mouse** vastavust direktiivi 1999/5/EÜ põhinõuetele ja nimetatud direktiivist tulenevatele teistele asjakohastele sätetele.

Suomi [Finnish]

Lenovo (Singapore) Pte. Ltd. vakuuttaa täten että **Lenovo Wireless Mouse** tyyppinen laite on direktiivin 1999/5/EY oleellisten vaatimusten ja sitä koskevien direktiivin muiden ehtojen mukainen.

Ελληνική [Greek]

ΜΕ ΤΗΝ ΠΑΡΟΥΣΑ **Lenovo (Singapore) Pte. Ltd.** ΔΗΛΩΝΕΙ ΟΤΙ **Lenovo Wireless Mouse** ΣΥΜΜΟΡΦΩΝΕΤΑΙ ΠΡΟΣ ΤΙΣ ΟΥΣΙΩΔΕΙΣ ΑΠΑΙΤΗΣΕΙΣ ΚΑΙ ΤΙΣ ΛΟΙΠΕΣ ΣΧΕΤΙΚΕΣ ΔΙΑΤΑΞΕΙΣ ΤΗΣ ΟΔΗΓΙΑΣ 1999/5/ΕΚ.

Deutsch [German]

Hiermit erklärt **Lenovo (Singapore) Pte. Ltd.** dass sich das Gerät **Lenovo Wireless Mouse** in Übereinstimmung mit den grundlegenden Anforderungen

und den übrigen einschlägigen Bestimmungen der Richtlinie 1999/5/EG befindet.

Magyar [Hungarian]

Alulírott, **Lenovo (Singapore) Pte. Ltd.** nyilatkozom, hogy a **Lenovo Wireless Mouse** megfelel a vonatkozó alapvető követelményeknek és az 1999/5/EC irányelv egyéb előírásainak.

Íslenska [Icelandic]

Hér með lýsir **Lenovo (Singapore) Pte. Ltd.** yfir því að **Lenovo Wireless Mouse** er í samræmi við grunnkröfur og aðrar kröfur, sem gerðar eru í tilskipun 1999/5/EC

Lietuvių [Lithuanian]

Šiuo **Lenovo (Singapore) Pte. Ltd.** deklaruoją, kad šis **Lenovo Wireless Mouse** atitinka esminius reikalavimus ir kitas 1999/5/EB Direktyvos nuostatas.

Latviski [Latvian]

Ar šo **Lenovo (Singapore) Pte. Ltd.** deklarē, ka **Lenovo Wireless Mouse** atbilst Direktīvas 1999/5/EK būtiskajām prasībām un citiem ar to saistītajiem noteikumiem.

Malti [Maltese]

Hawnhekk, **Lenovo (Singapore) Pte. Ltd.** jiddikjara li dan **Lenovo Wireless Mouse** jikkon-forma mal-ħtiġijiet essenzjali u ma provvedimenti oħrajn relevanti li hemm fid-Dirrettiva 1999/5/EC.

Nederlands [Dutch]

Hierbij verklaart **Lenovo (Singapore) Pte. Ltd.** dat het toestel **Lenovo Wireless Mouse** in overeenstemming is met de essentiële eisen en de andere relevante bepalingen van richtlijn 1999/5/EG.

Norway [Norwegian]

Lenovo (Singapore) Pte. Ltd. erklarer herved at utstyret **Lenovo wireless Mouse** er i samsvar med de grunnleggende krav og Øvrige relevante krav i d i rakti v 1999/5/EF.

Polski [Polish]

Niniejszym **Lenovo (Singapore) Pte. Ltd.** oświadcza, że **Lenovo wireless Mouse** jest zgodne z zasadniczymi wymaganiami oraz innymi stosownymi postanowieniami Dyrektywy 1999/5/WE

Slovensky [Slovak]

Lenovo (Singapore) Pte. Ltd. týmto vyhlasuje, že **Lenovo wireless Mouse** spĺňa základné požiadavky a všetky príslušné ustanovenia Smernice 1999/5/ES.

Slovensko [Slovenian]

Lenovo (Singapore) Pte. Ltd. izjavlja, da je ta **Lenovo wireless Mouse** v skladu z bistvenimi zahtevami in ostalimi relevantnimi določili direktive

1999/5/ES.

Español [Spanish]

Por medio de la presente **Lenovo (Singapore) Pte. Ltd.** declara que el **Lenovo wireless Mouse** cumple con los requisitos esenciales y cualesquiera otras disposiciones aplicables o exigibles de la Directiva 1999/5/CE.

Svenska [Swedish]

Härmed intygar **Lenovo (Singapore) Pte. Ltd.** att denna **Lenovo wireless Mouse** står i överensstämmelse med de väsentliga egenskapskrav och övriga relevanta bestämmelser som framgår av direktiv 1999/5/EG.

Português [Portuguese]

Lenovo (Singapore) Pte. Ltd. declara que este **Lenovo wireless Mouse** está conforme com os requisitos essenciais e outras disposições da Directiva 1999/5/CE.

Français [French]

Par la présente **Lenovo (Singapore) Pte. Ltd.** déclare que l'appareil **Lenovo wireless Mouse** est conforme aux exigences essentielles et aux autres dispositions pertinentes de la directive 1999/5/CE.

Ovime, Lenovo (Singapore) Pte. Ltd., izjavljuje da oprema za bežičnu komunikaciju koja je navedena u ovom odjelu, sukladna je sa nužnim zahtjevima i drugim ograničenjima Direktive 1995/5/EC.

EC Declaration of Conformance

(貼入附件)