

060406 (DTR900-FC USB + DTR900-FC TTL)

Features:

- Wireless Data collection module with USB or TTL (level) interface.
- 433MHz RF frequency.
- Modulate Type: FSK.
- According to FCC 47CFR15.231e.The EUT shall be provided with a means for automatically limiting operation so that the duration of each transmission shall not be greater than one second and the silent period between transmission shall be at least 30 times the duration of the transmission but in no case less than 10 seconds. The software build in module. Any customer / end-user can not make any modifications.
- Transmission range: <200 m. (open area).
- Baud rate:9600bps.
- DC Power: USB Power or 5VDC external Power.
- Size:

Main Unit : 45 x 70 x 22 mm

ANT Unit : Φ 15 x 86mm

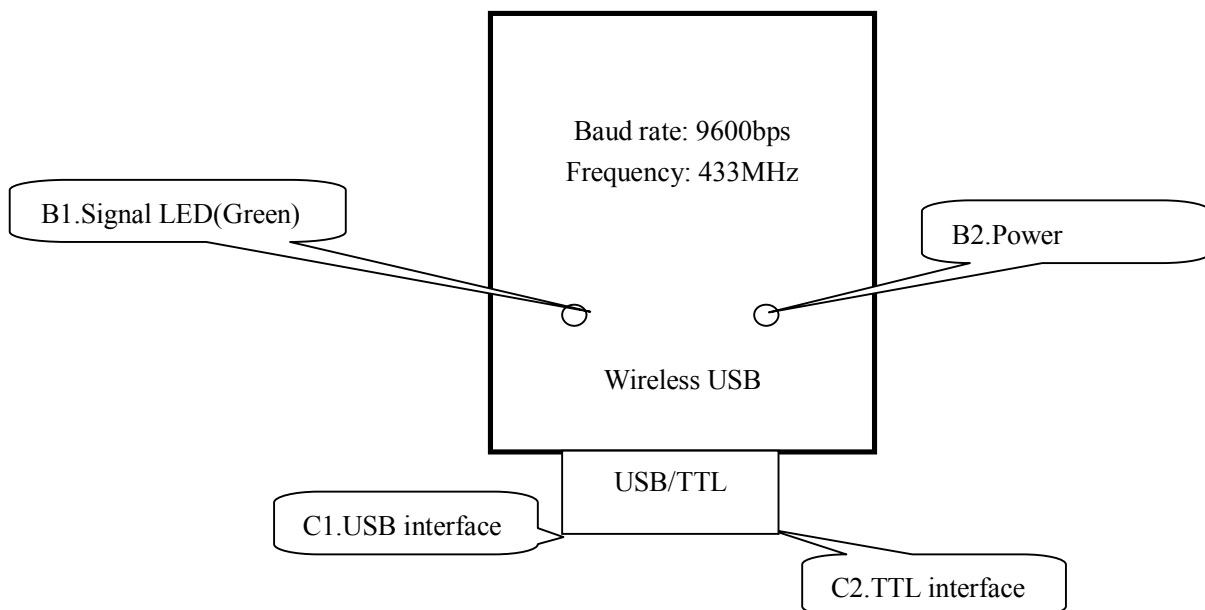
USB prolong wire:1.5m

TTL prolong wire:360mm

Caution: Changes or modifications to this unit not expressly approved by the party responsible for compliance could void the user authority to operate the equipment.

This device complies with Part 15 of the FCC Rules. Operation is subject to the following conditions: (1) this device may not cause harmful interference, and (2) this device must accept any interference received, including interference that may cause undesired operation.

The users manual or instruction manual for an unintentional or unintentional radiator shall caution the user that changes or modifications not expressly approved by the party responsible for compliance could void the user's authority to operate the equipment.



Part A- ANTENNA

According to FCC Rules, Part 15.203, a unique antenna coupling is required.

The EUT has a built in antenna which is a short wire solder on the PCB, This antenna meets the requirements of this section.

Part B- LED

B1: Signal Green LED

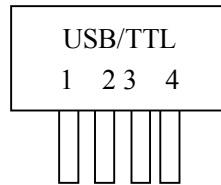
B2: Power Red LED

Part C- INTERFACE

C1: USB prolong wire

C2: TTL prolong wire

PIN DEFINE:



USB pin	Name	Function
1	VCC	Usb Power
2	D+	USB D+
3	D-	USB D-
4	GND	GND

TTL pin	Name	Function
1	RXD	Data Input to module
2	TXD	Data Output from module
3	VCC	+5VDC
4	GND	GND

Application:

USB MODULE

This module Connect to computer with USB interface. The PC must be installed the USB equipment's driver, and the PC will increase a COM, the COM is dummy, and the module will transmit or receive info.