

# ZF01-D Wireless Module

## User guide



Figure 1. ZF01-D wireless module

- Interface & Cable:

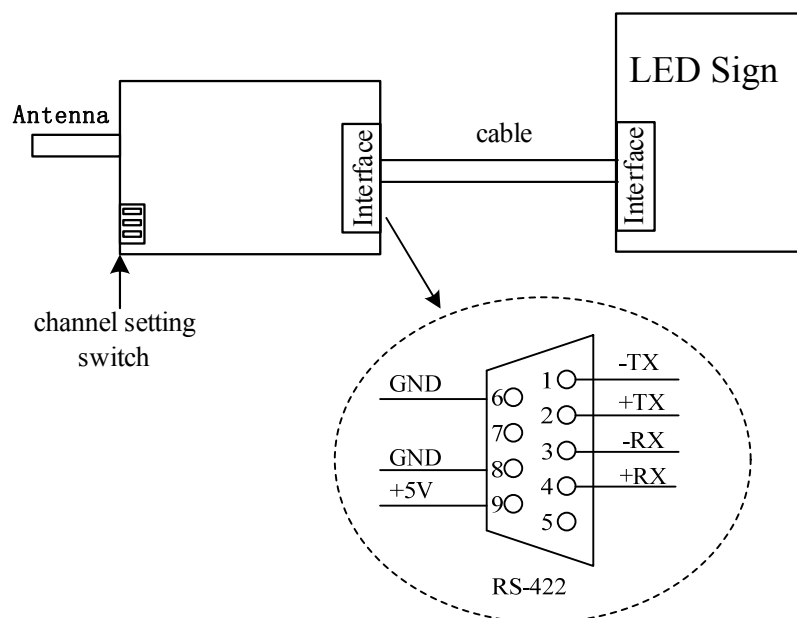


Figure 2. ZF01-D RS-422 Interface & Cable

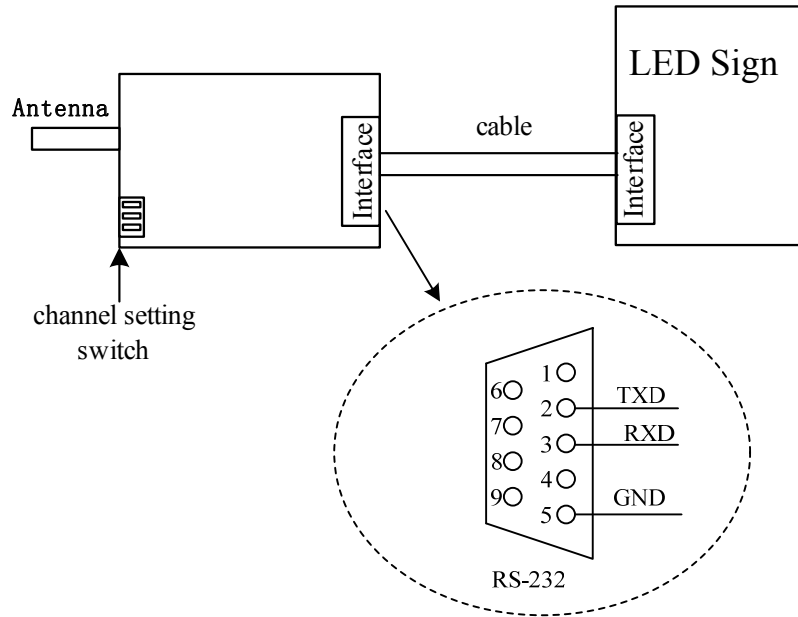


Figure 3. ZF01-D RS-232 Interface & Cable

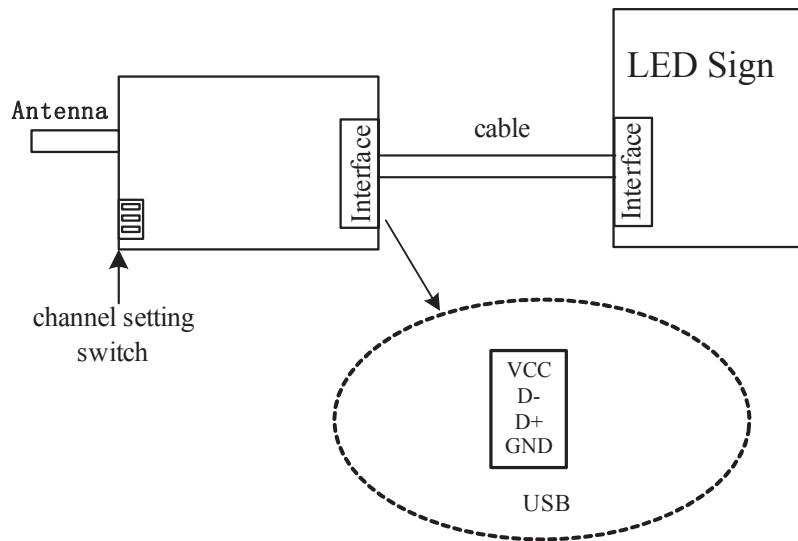


Figure 4. ZF01-D USB Interface & Cable

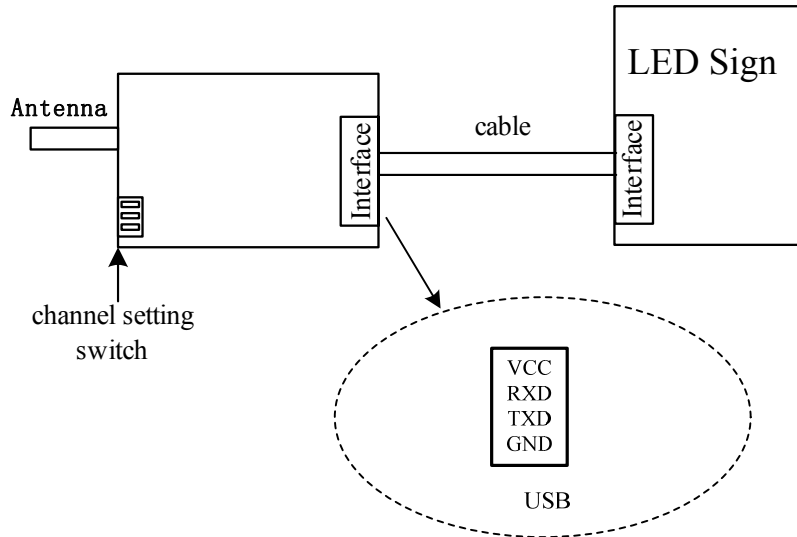


Figure 5. ZF01-D TTL Interface & Cable

● **Main Technical Specifications:**

RF channels(MHz)	433.050, 432.700, 433.310, 433.540, 434.050, 434.310, 434.610, 434.910
modulation mode	GFSK
baud rate	9600bps
Interface data format	UART , 8E1/8N1 data format
Power supply	DC 3.6V---5V
overall dimensions	70 X 45 X 17 mm

● Communication Application:

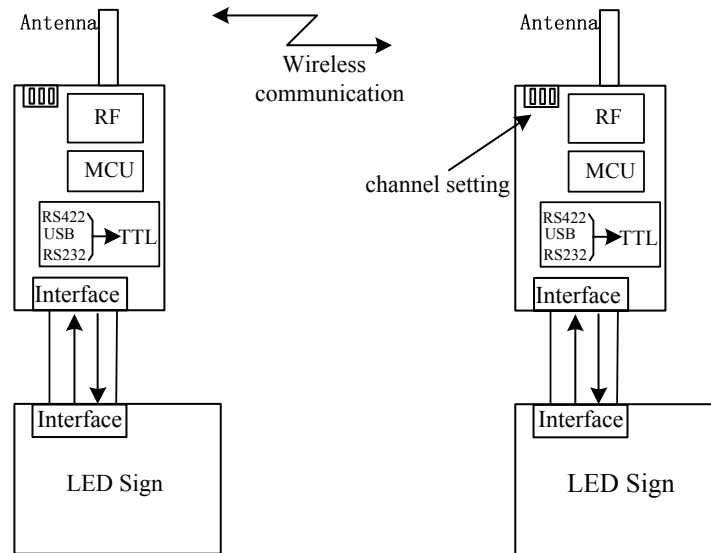


Figure6. ZF01-D wireless communication application diagram

● Channel setting

There is a channel setting switch as shown in Figure 2, defined as A,B,C respectively, so there are 8 channels can be set .

Channel	A2	A1	A0	Freq.
0	OFF	OFF	OFF	433.050MHz
1	OFF	OFF	ON	432.700MHz
2	OFF	ON	OFF	433.310MHz
3	OFF	ON	ON	433.540MHz
4	ON	OFF	OFF	434.050MHz
5	ON	OFF	ON	434.310MHz
6	ON	ON	OFF	434.610MHz
7	ON	ON	ON	434.910MHz

## ● FCC Notices

1. The manufacturer is not responsible for any radio or TV Interference caused by unauthorized modifications to this equipment. Such modifications could void the user's authority to operate the equipment.
2. This device complies with Part 15 of the FCC Rules. (1) This device may not cause harmful interference, and (2) this device must accept any interference received, including interference that may cause undesired operation.

NOTE: This equipment has been tested and found to comply with the limits for a Class B digital device, pursuant to part 15 of the FCC Rules. These limits are designed to provide reasonable protection against harmful interference in a residential installation. This equipment generates, uses and can radiate radio frequency energy and, if not installed and used in accordance with the instructions, may cause harmful interference to radio communications. However, there is no guarantee that interference will not occur in a particular installation. If this equipment does cause harmful interference to radio or television reception, which can be determined by turning the equipment off and on, the user is encouraged to try to correct the interference by one or more of the following measures:

- Reorient or relocate the receiving antenna.
- Increase the separation between the equipment and receiver.
- Connect the equipment into an outlet on a circuit different from that to which the receiver is connected.
- Consult the dealer or an experienced radio/TV technician for help.

This equipment complies with FCC RF radiation exposure limits set forth for an uncontrolled environment. This equipment should be installed and operated with a minimum distance of 20 centimeters between the radiator and your body.