

ZF02-U Wireless Module Operation Manual



Figure 1. ZF02-U wireless module

● Features:

1. Providing USB interface, highly integrated, can connect with transceiver equipment directly.
2. Low power RF transmission: Maximum transmit power 10mW
3. GFSK/FSK modulation mode
4. Crystal frequency stabilization.
5. High-efficiency forward error correction channel encoding technology is used.

● Main Application Areas:

1. AMR – Automatic Meter Reading
2. Wireless alarm and security systems
3. Wireless POS, PDA
4. Long-distance non-contact RF smart cards, RFID tags.
5. Wireless Field Bus、 wireless conference voting system

● Main Technical Specifications:

| | |
|-----------------------|---------------------------|
| RF channels | 433.05MHz |
| modulation mode | GFSK |
| baud rate | 9600bps |
| output power | 10mW |
| Interface data format | UART ,8E1/8N1 data format |
| Power supply | DC 3.6V---5V |
| overall dimensions | 70 X 45 X 17 mm |

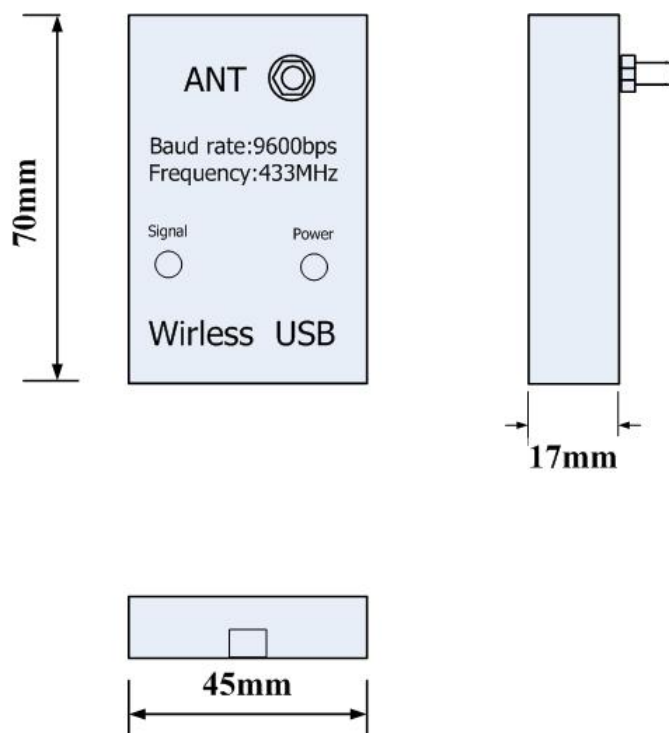


Figure2. interface and sizes

● Interface Description:

ZF02-U wireless module can be directly connected to PC computer by USB port, shown as Figure3.

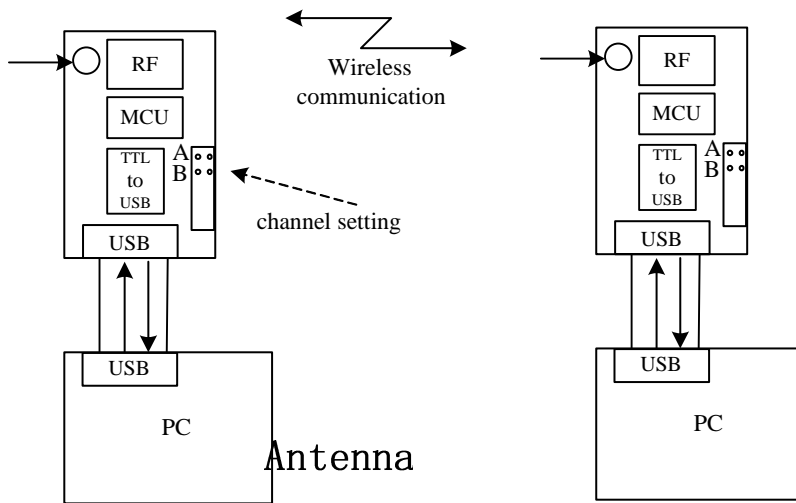


Figure3. ZF02-U wireless communication application diagram

● Channel setting

There is one group of 5-bit short-circuiter wire (JP2) as shown in Figure 2, defined as A、B、C、D、E respectively, A and B are used for setting channels, so there are 4 channels can be set. “0”= short, “1”= open

| A | B | channel | frequency (MHz) |
|---|---|---------|-----------------|
| 1 | 1 | 4 | 433.05 |

● FCC Notices

1. Any changes or modifications not expressly approved by the party responsible for compliance could void the user's authority to operate the equipment.
2. This device complies with Part 15 of the FCC Rules. (1) This device may not cause harmful interference, and (2) this device must accept any interference received, including interference that may cause undesired operation.

NOTE: This equipment has been tested and found to comply with the limits for a Class B digital device, pursuant to part 15 of the FCC Rules. These limits are designed to provide reasonable protection against harmful interference in a residential installation. This equipment generates, uses and can radiate radio frequency energy and, if not installed and used in accordance with the instructions, may cause harmful interference to radio communications. However, there is no guarantee that interference will not occur in a particular installation. If this equipment does cause harmful interference to radio or television reception, which can be determined by turning the equipment off and on, the user is encouraged to try to correct the interference by one or more of the following measures:

- Reorient or relocate the receiving antenna.
- Increase the separation between the equipment and receiver.
- Connect the equipment into an outlet on a circuit different from that to which the receiver is connected.
- Consult the dealer or an experienced radio/TV technician for help.

NOTE: THE MANUFACTURER IS NOT RESPONSIBLE FOR ANY RADIO OR TV INTERFERENCE CAUSED BY UNAUTHORIZED MODIFICATIONS TO THIS EQUIPMENT. SUCH MODIFICATIONS COULD VOID THE USER'S AUTHORITY TO OPERATE THE EQUIPMENT.