

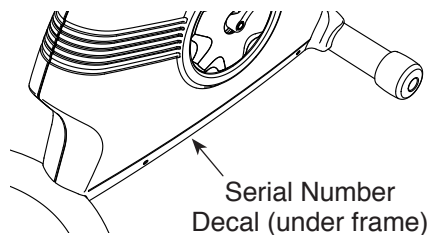
PRO-FORM[®]

225 ZLX

Model No. PFEVEX73012.1

Serial No. _____

Write the serial number in the space above for reference.



USER'S MANUAL

QUESTIONS?

If you have questions, or if there are missing parts, please contact us:

UNITED KINGDOM

Call: 08457 089 009

From Ireland: 053 92 36102

Website: www.iconsupport.eu

E-mail: csuk@iconeurope.com

Write:

ICON Health & Fitness, Ltd.

c/o HI Group PLC

Express Way

CASTLEFORD

WF10 5QJ

UNITED KINGDOM

AUSTRALIA

Call: 1800 993 770

E-mail: australiacc@iconfitness.com

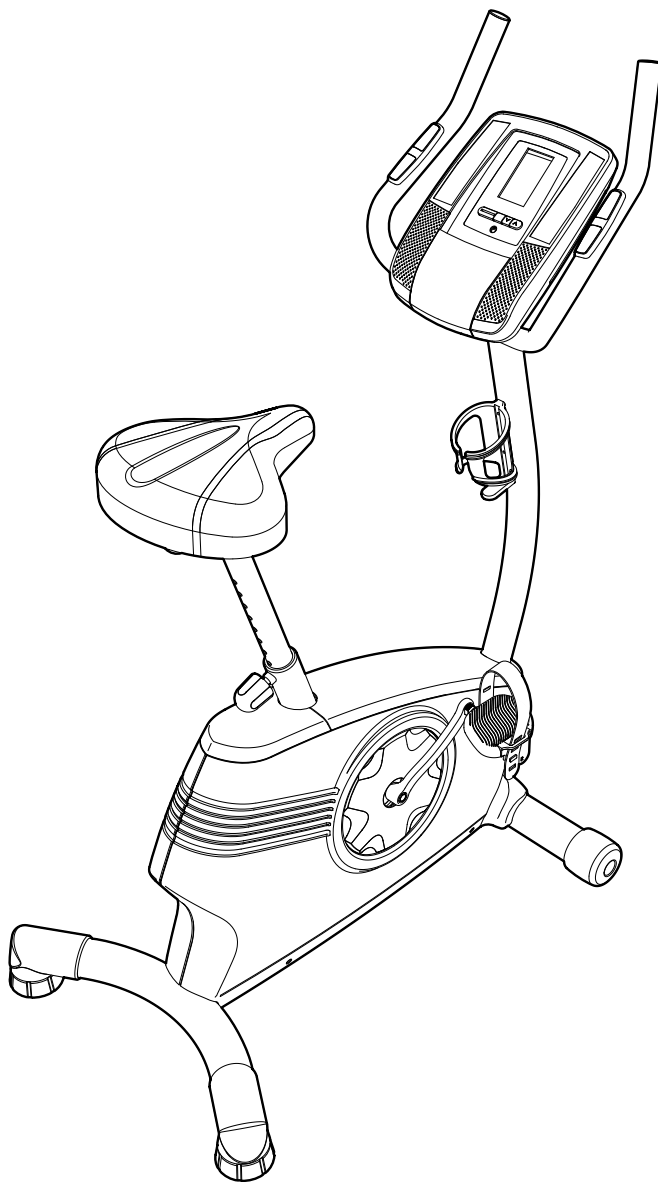
Write:

ICON Health & Fitness

PO Box 635

WINSTON HILLS NSW 2153

AUSTRALIA



CAUTION

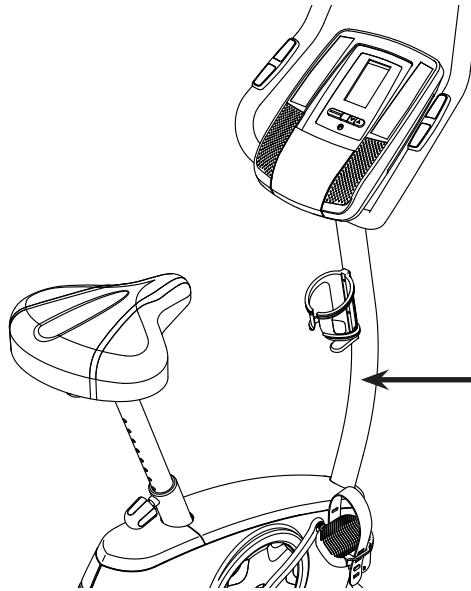
Read all precautions and instructions in this manual before using this equipment. Keep this manual for future reference.

TABLE OF CONTENTS

WARNING DECAL PLACEMENT	2
IMPORTANT PRECAUTIONS	3
BEFORE YOU BEGIN	4
PART IDENTIFICATION CHART	5
ASSEMBLY	6
HOW TO USE THE EXERCISE BIKE	13
MAINTENANCE AND TROUBLESHOOTING	19
EXERCISE GUIDELINES	21
PART LIST	22
EXPLODED DRAWING	23
ORDERING REPLACEMENT PARTS	Back Cover
RECYCLING INFORMATION	Back Cover


WARNING DECAL PLACEMENT

This drawing shows the location(s) of the warning decal(s). **If a decal is missing or illegible, see the front cover of this manual and request a free replacement decal. Apply the decal in the location shown.** Note: The decal(s) may not be shown at actual size.



WARNING

- Misuse of this machine may result in serious injury.
- Read user's manual prior to use and follow all warnings and instructions.
- Do not allow children on or around machine.
- User weight must not exceed 120 kg.
- This product should always be used on a level surface.
- This product is not intended for therapeutic use.
- Replace label if damaged, illegible, or removed.



IMPORTANT PRECAUTIONS

⚠️ WARNING: To reduce the risk of serious injury, read all important precautions and instructions in this manual and all warnings on your exercise bike before using your exercise bike. ICON assumes no responsibility for personal injury or property damage sustained by or through the use of this product.

1. Before beginning any exercise program, consult your physician. This is especially important for persons over age 35 or persons with pre-existing health problems.
2. Use the exercise bike only as described in this manual.
3. It is the responsibility of the owner to ensure that all users of the exercise bike are adequately informed of all precautions.
4. The exercise bike is intended for home use only. Do not use the exercise bike in a commercial, rental, or institutional setting.
5. Keep the exercise bike indoors, away from moisture and dust. Do not put the exercise bike in a garage or covered patio, or near water.
6. Place the exercise bike on a level surface, with a mat beneath it to protect the floor or carpet. Make sure that there is at least 2 ft. (0.6 m) of clearance around the exercise bike.
7. Inspect and properly tighten all parts regularly. Replace any worn parts immediately.
8. Keep children under age 12 and pets away from the exercise bike at all times.
9. Wear appropriate clothes while exercising; do not wear loose clothes that could become caught on the exercise bike. Always wear athletic shoes for foot protection.
10. The heart rate monitor is not a medical device. Various factors may affect the accuracy of heart rate readings. The heart rate monitor is intended only as an exercise aid in general.
11. The exercise bike should not be used by persons weighing more than 265 lbs. (120 kg).
12. Always keep your back straight while using the exercise bike; do not arch your back.
13. The exercise bike does not have a freewheel; the pedals will continue to move until the flywheel stops. Reduce your pedaling speed in a controlled way.
14. Over exercising may result in serious injury or death. If you feel faint or if you experience pain while exercising, stop immediately and cool down.

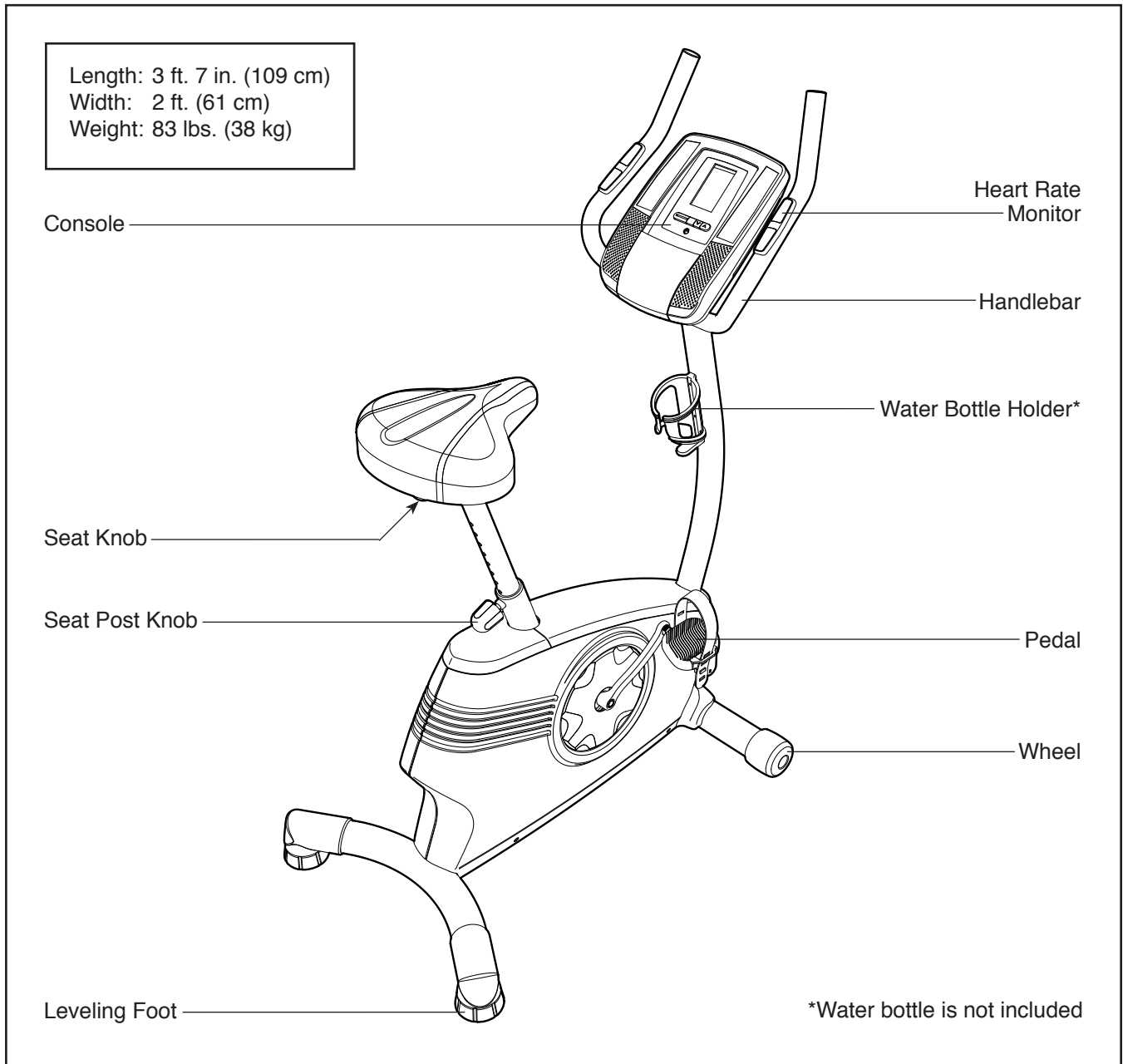
BEFORE YOU BEGIN

Thank you for selecting the new PROFORM® 225 ZLX exercise bike. Cycling is an effective exercise for increasing cardiovascular fitness, building endurance, and toning the body. The 225 ZLX exercise bike provides a selection of features designed to make your workouts at home more effective and enjoyable.

For your benefit, read this manual carefully before you use the exercise bike. If you have questions after

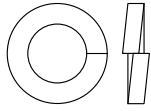
reading this manual, please see the front cover of this manual. To help us assist you, note the product model number and serial number before contacting us. The model number and the location of the serial number decal are shown on the front cover of this manual.

Before reading further, please familiarize yourself with the parts that are labeled in the drawing below.

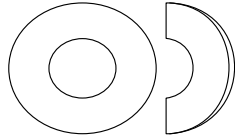


PART IDENTIFICATION CHART

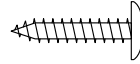
Use the drawings below to identify the small parts needed for assembly. The number in parentheses below each drawing is the key number of the part, from the PART LIST near the end of this manual. The number following the key number is the quantity needed for assembly. **Note: If a part is not in the hardware kit, check to see if it has been preassembled. Extra parts may be included.**



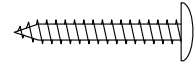
M8 Split Washer (45)-4



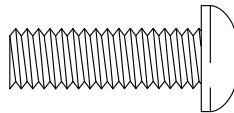
M8 Curved Washer (57)-2



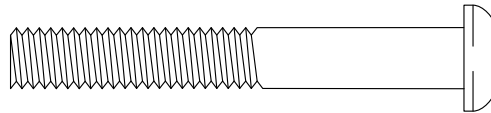
M4 x 16mm Screw (40)-6



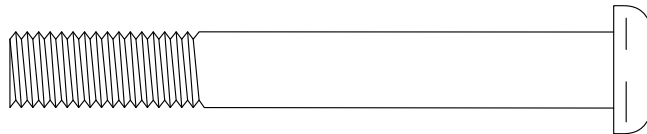
M4 x 22mm Screw (54)-2



M8 x 25mm Screw (44)-6



M8 x 60mm Screw (43)-4




M10 x 80mm Screw (36)-2

ASSEMBLY

- Assembly requires two persons.
- Place all parts in a cleared area and remove the packing materials. Do not dispose of the packing materials until you complete all assembly steps.
- To identify small parts, see page 5.

- In addition to the included tool(s), assembly requires the following tools:

one Phillips screwdriver 

one adjustable wrench 

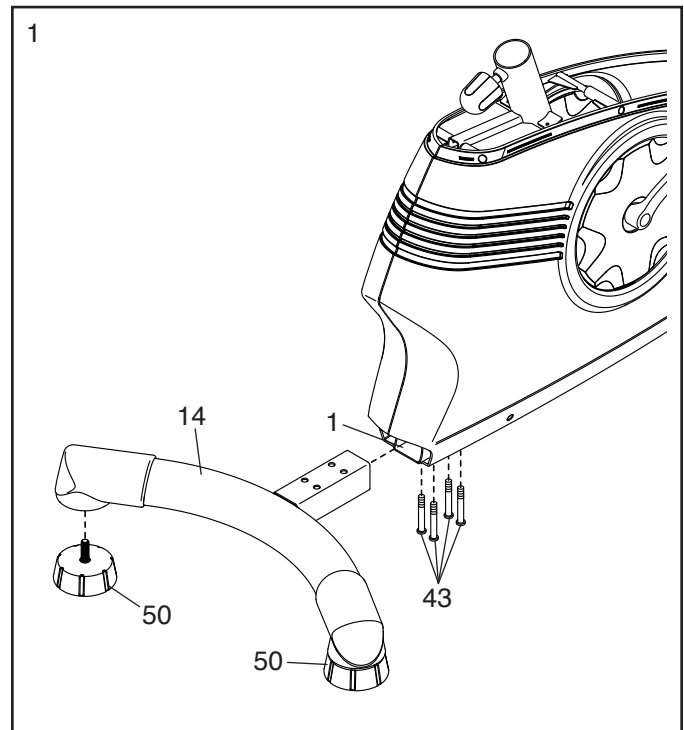
Assembly may be easier if you have a set of wrenches. To avoid damaging parts, do not use power tools.

1. Orient the Rear Stabilizer (14) as shown.

Tighten the two Leveling Feet (50) into the underside of the Rear Stabilizer (14).

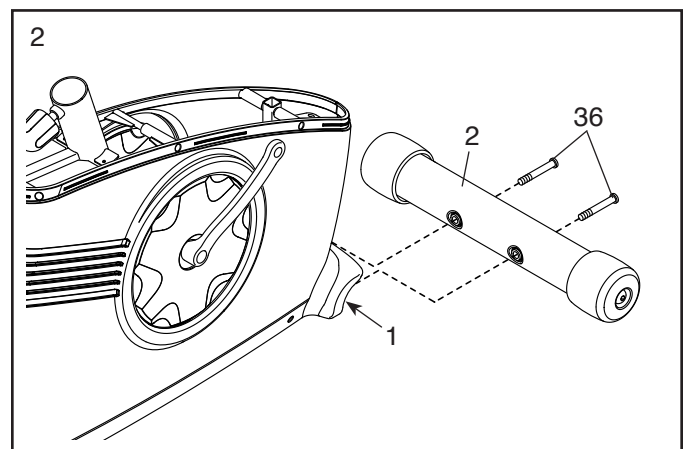
While a second person lifts the rear of the Frame (1), insert the Rear Stabilizer (14) into the Frame.

Attach the Rear Stabilizer (14) with four M8 x 60mm Screws (43).



2. Orient the Front Stabilizer (2) as indicated by the sticker.

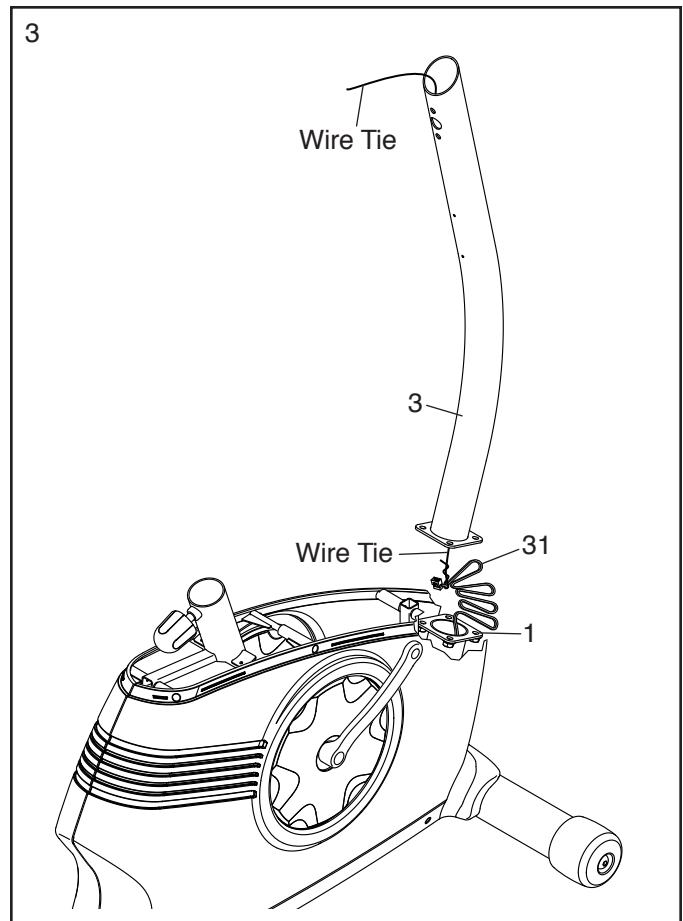
While a second person lifts the front of the Frame (1), attach the Front Stabilizer (2) to the Frame with two M10 x 80mm Screws (36).



3. Orient the Upright (3) as shown. Have a second person hold the Upright near the Frame (1).

Locate the wire tie in the lower end of the Upright (3). Tie the wire tie to the Main Wire (31). Then, pull the upper end of the wire tie until the Main Wire is routed through the Upright.

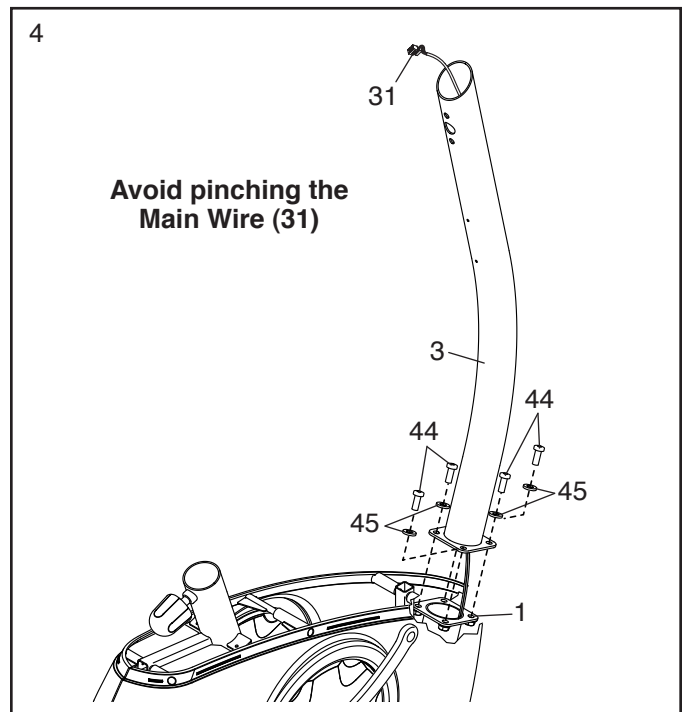
Tip: To prevent the Main Wire (31) from falling into the Upright (3), secure the Main Wire with the wire tie.



4. **Tip: Avoid pinching the Main Wire (31).** Set the Upright (3) on the Frame (1).

Attach the Upright (3) with four M8 x 25mm Screws (44) and four M8 Split Washers (45).

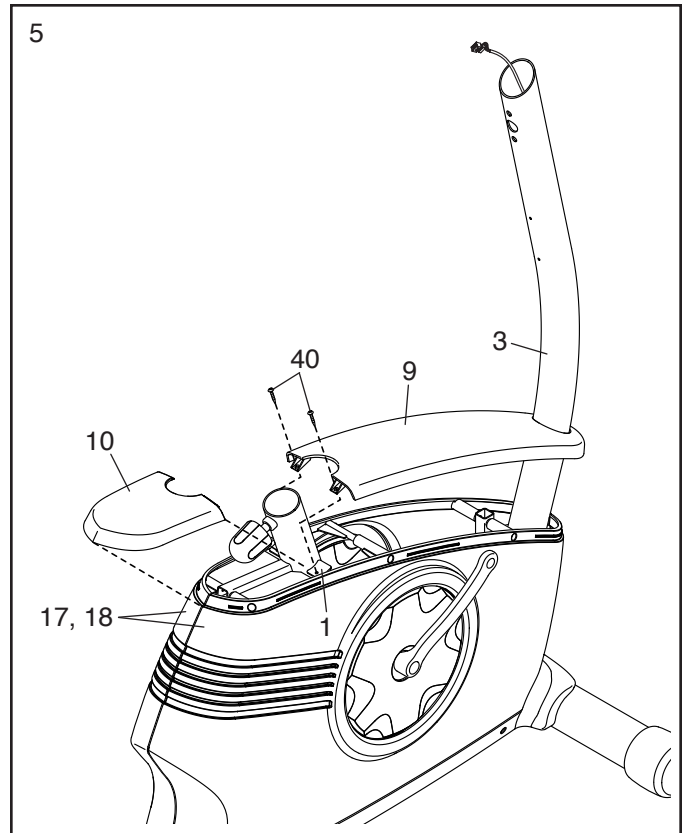
Tip: Start all the Screws before fully tightening them.



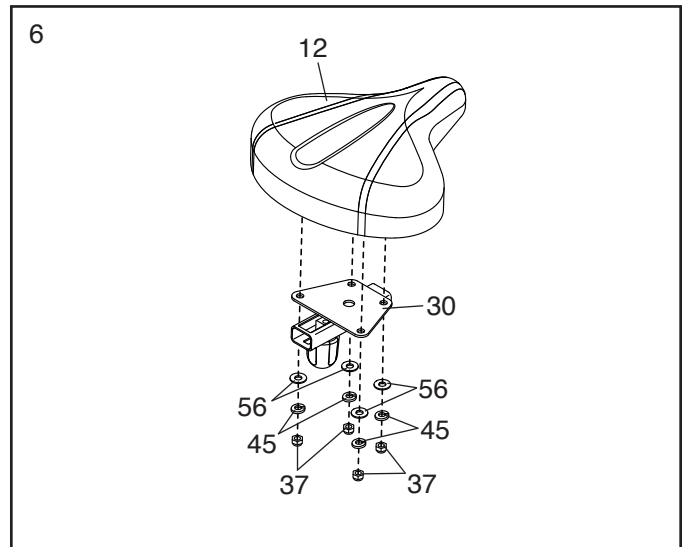
5. Orient the Top Shield (9) as shown. Slide the Top Shield onto the Upright (3).

Attach the Top Shield (9) to the Frame (1) with two M4 x 16mm Screws (40).

Orient the Top Shield Cap (10) as shown. Press the Top Shield Cap onto the Left and Right Shields (17, 18).



6. Orient the Seat (12) and the Seat Carriage (30) as shown. Attach the Seat to the Seat Carriage with four M8 Locknuts (37), four M8 Split Washers (45), and four M8 Washers (56).

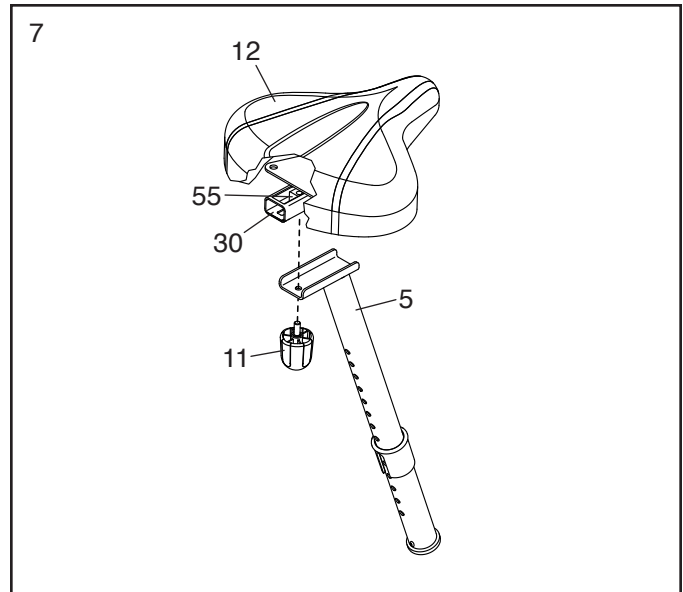


7. Loosen and remove the Seat Knob (11) from the Seat Carriage (30).

Look underneath the Seat (12), and locate the Carriage Block (55) inside the Seat Carriage (30).

Orient the Seat Post (5) as shown. Set the Seat Carriage (30) in the bracket on the Seat Post.

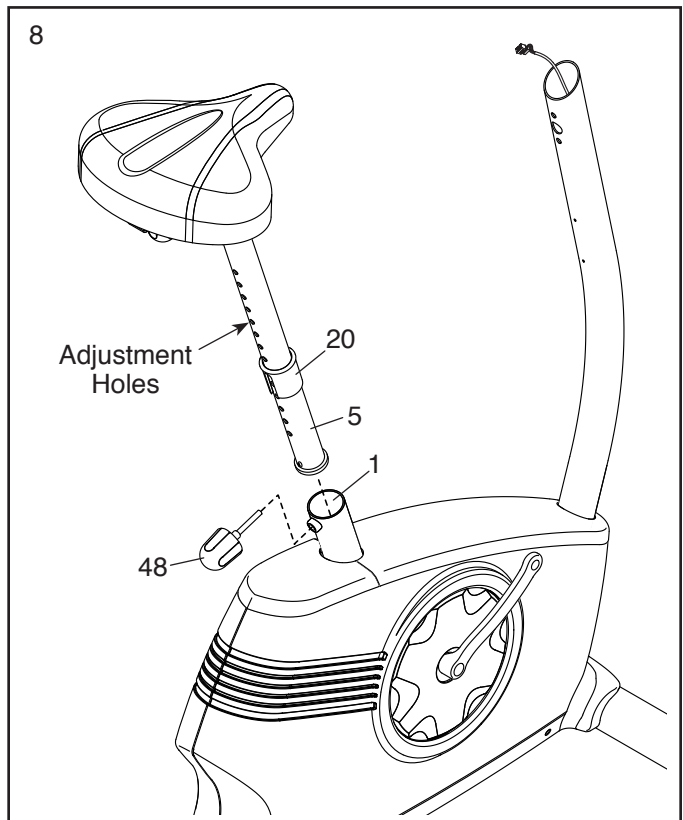
Next, insert the Seat Knob (11) upward through the bracket on the Seat Post (5) into the hole in the Carriage Block (55). Then, tighten the Seat Knob.



8. Loosen and remove the Seat Post Knob (48) from the Frame (1).

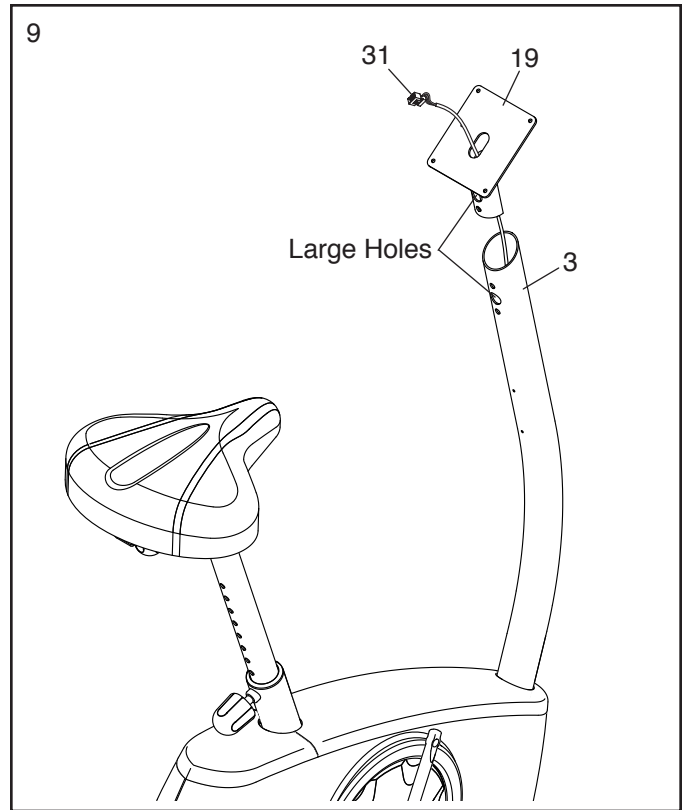
Next, insert the Seat Post (5) into the Frame (1), and press the Seat Post Bushing (20) downward into the Frame.

Slide the Seat Post (5) upward or downward to the desired position, and then insert the Seat Post Knob (48) into the Frame and into one of the adjustment holes in the Seat Post. Then, tighten the Seat Post Knob.



9. Hold the Console Plate (19) near the Upright (3). Insert the Main Wire (31) upward through the Console Plate.

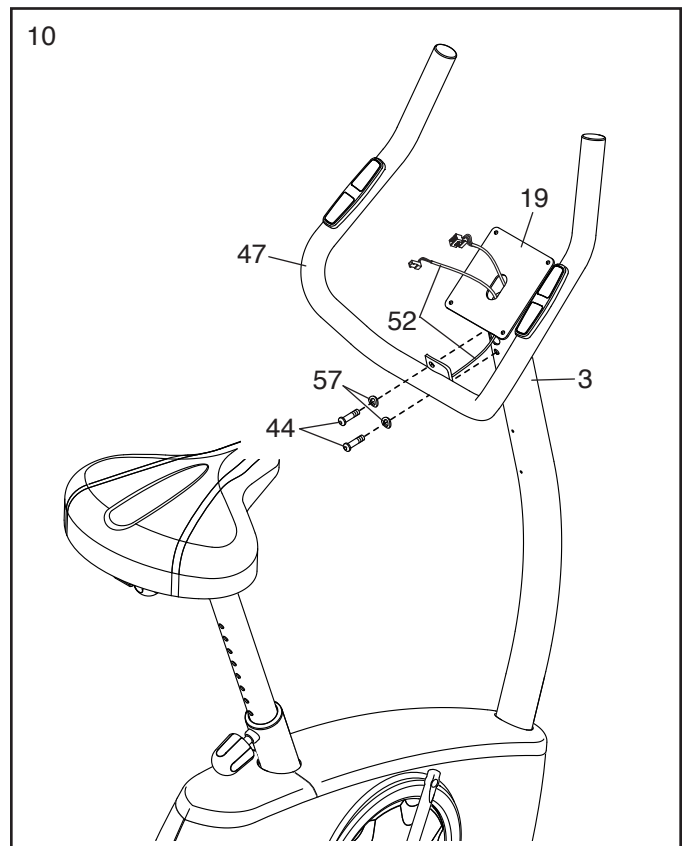
Next, insert the Console Plate (19) into the Upright (3), and align the indicated large holes.



10. Have a second person hold the Handlebar (47) near the Upright (3).

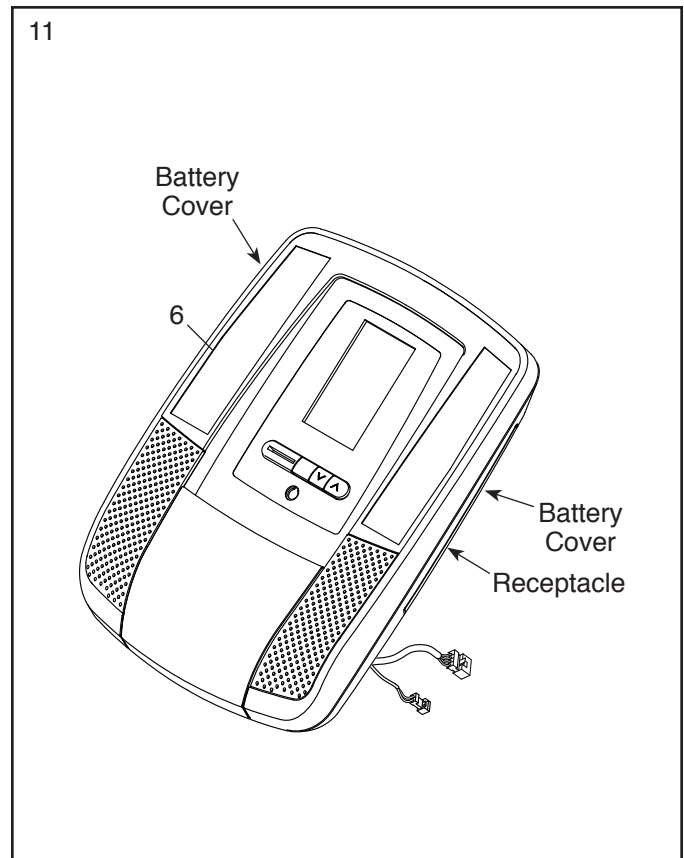
Locate the Pulse Wire (52) in the Handlebar (47). Insert the Pulse Wire into the large hole in the Upright (3), and then pull the Pulse Wire out of the top of the Console Plate (19).

Attach the Handlebar (47) and the Console Plate (19) to the Upright (3) with two M8 x 25mm Screws (44) and two M8 Curved Washers (57).



11. The Console (6) can use four D batteries (not included); alkaline batteries are recommended. Do not use old and new batteries together or alkaline, standard, and rechargeable batteries together. **IMPORTANT: If the Console has been exposed to cold temperatures, allow it to warm to room temperature before you insert batteries. Otherwise, you may damage the console displays or other electronic components.** Remove the screws and the battery covers from the back of the Console, and insert batteries into the battery compartments. **Make sure to orient the batteries as shown by the diagrams inside the battery compartments.** Then, reattach the battery covers.

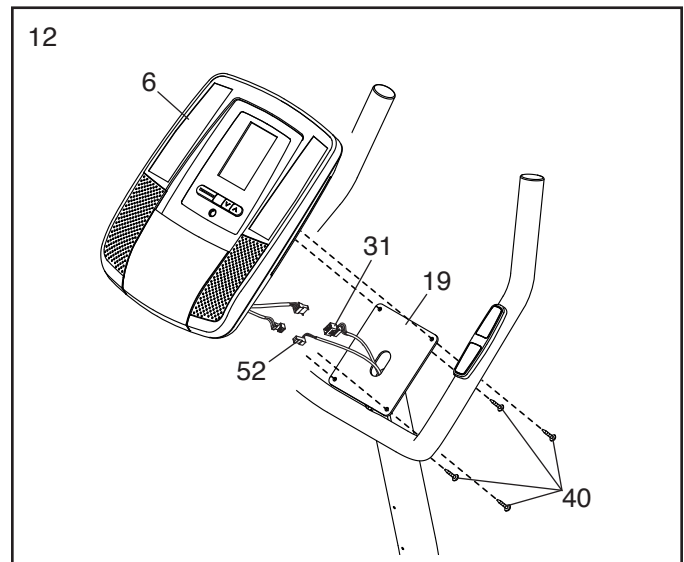
To purchase an optional power adapter, call the telephone number on the cover of this manual. To avoid damaging the console, use only a manufacturer-supplied power adapter. Plug one end of the power adapter into the receptacle inside the battery compartment on the console; plug the other end into an outlet installed in accordance with all local codes and ordinances.



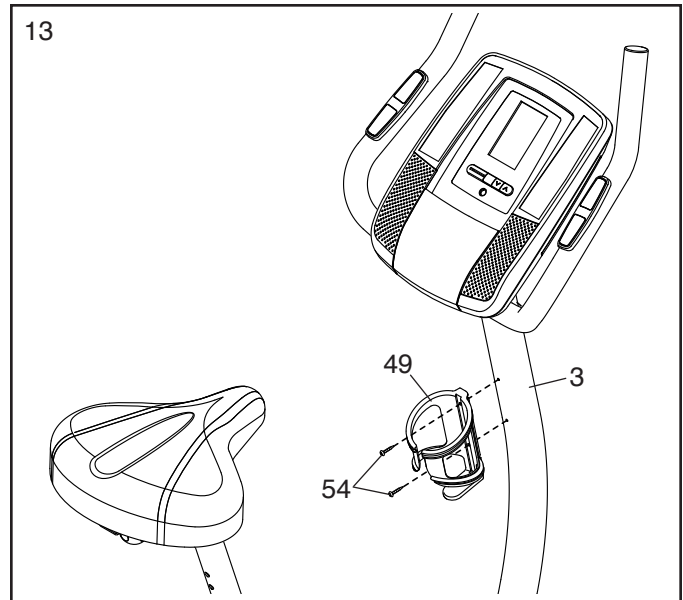
12. While a second person holds the Console (6) near the Console Plate (19), connect the wires on the Console to the Main Wire (31) and to the Pulse Wire (52).

Insert the excess wire into the Console Plate (19) or into the Console (6).

Tip: Avoid pinching the wires. Attach the Console (6) to the Console Plate (19) with four M4 x 16mm Screws (40).



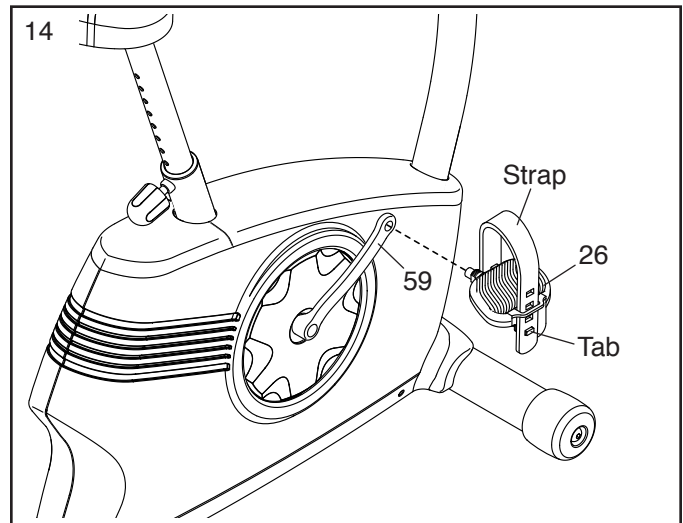
13. Attach the Water Bottle Holder (49) to the Upright (3) with two M4 x 22mm Screws (54).



14. Identify the Right Pedal (26), which is marked with an “R.” Using an adjustable wrench, firmly tighten the Right Pedal **clockwise** into the Right Crank Arm (59).

Tighten the Left Pedal (not shown) **counter-clockwise** into the Left Crank Arm (not shown).

Adjust the strap on the Right Pedal (26) to the desired position, and press the end of the strap onto the tab on the Right Pedal. **Adjust the strap on the Left Pedal (not shown) in the same way.**

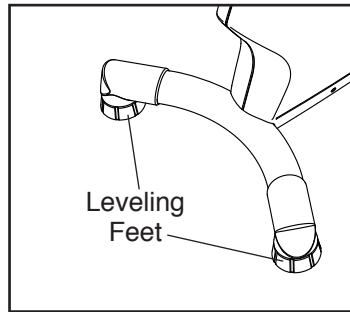


15. **Make sure that all parts of the exercise bike are properly tightened.** Note: Some hardware may be left over after assembly is completed. To protect the floor or carpet from damage, place a mat under the exercise bike.

HOW TO USE THE EXERCISE BIKE

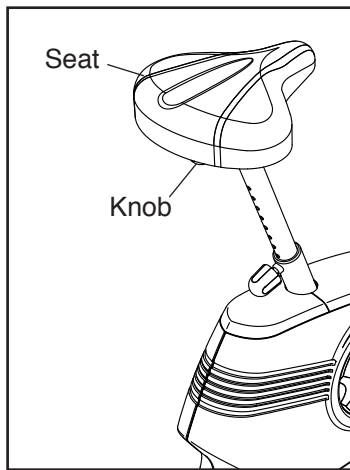
HOW TO LEVEL THE EXERCISE BIKE

If the exercise bike rocks slightly on your floor during use, turn one or both of the leveling feet on the rear stabilizer until the rocking motion is eliminated.



HOW TO ADJUST THE SEAT

To adjust the position of the seat, loosen the seat knob, move the seat forward or backward to the desired position, and then firmly tighten the seat knob.

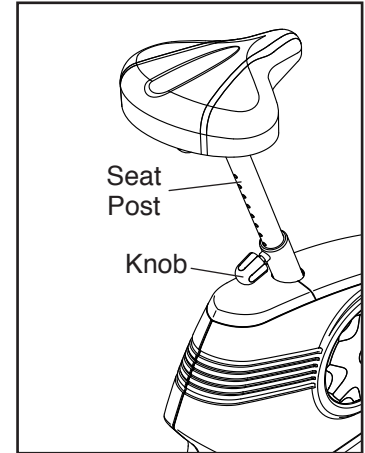


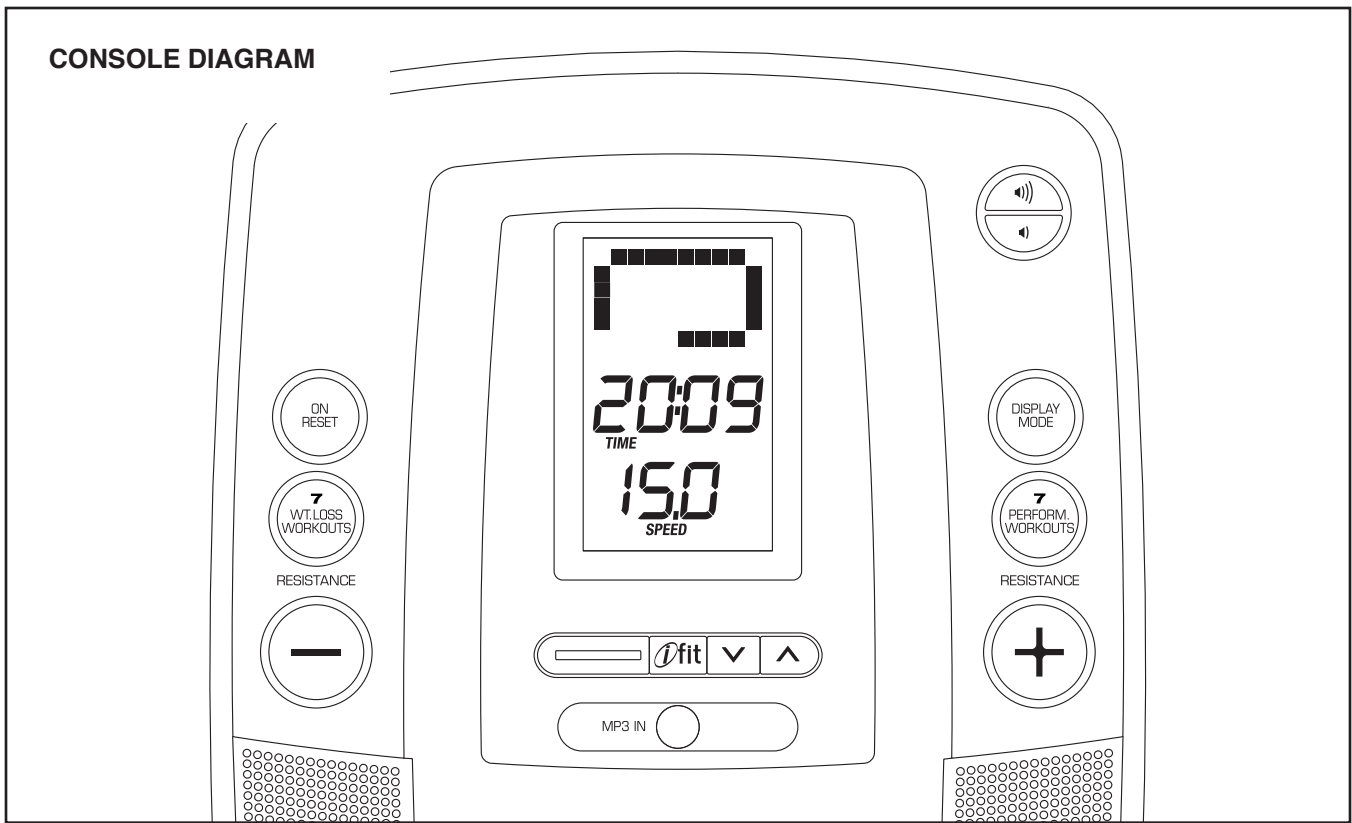
HOW TO ADJUST THE SEAT POST

For effective exercise, the seat should be at the proper height. As you pedal, there should be a slight bend in your knees when the pedals are in the lowest position.

To adjust the seat post, first remove the seat post knob from the frame. Then, move the seat post upward or downward to the desired position, and insert the seat post knob into the frame and into one of the adjustment holes in the seat post. Then, tighten the seat post knob.

IMPORTANT: Do not adjust the seat post beyond the stop mark on the seat post.





FEATURES OF THE CONSOLE

The advanced console offers an array of features designed to make your workouts more effective and enjoyable.

When you use the manual mode of the console, you can change the resistance of the pedals with the touch of a button. As you exercise, the console will provide continuous exercise feedback. You can even measure your heart rate using the handgrip heart rate monitor.

The console offers fourteen preset workouts—seven weight loss and seven performance workouts. Each preset workout automatically changes the resistance of the pedals and prompts you to vary your pedaling speed as it guides you through an effective workout.

The console also features the iFit interactive workout system, which enables the console to accept iFit cards containing workouts designed to help you achieve specific fitness goals.

For example, lose unwanted pounds with the 8-week Weight Loss workout. iFit workouts control the resistance of the pedals while the voice of a personal trainer coaches you through your workouts. iFit cards are available separately. **To purchase iFit cards, go to www.iFit.com or see the front cover of this manual.**

You can even connect your MP3 player or CD player to the console sound system and listen to your favorite music or audio books while you exercise.

To use the manual mode, see page 15. **To use a preset workout**, see page 17. **To use an iFit Live workout**, see page 18. **To use the sound system**, see page 18. **To use the user mode**, see page 18.

Note: Before using the console, make sure that batteries are installed (see assembly step 11 on page 11). If there is a sheet of plastic on the display, remove the plastic.

HOW TO USE THE MANUAL MODE

1. Turn on the console.

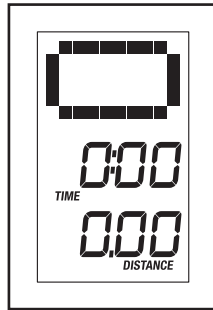
Press any button or begin pedaling to turn on the console.

When you turn on the console, the display will turn on. A tone will sound and the console will be ready for use.

2. Select the manual mode.

When you turn on the console, the manual mode will be selected automatically.

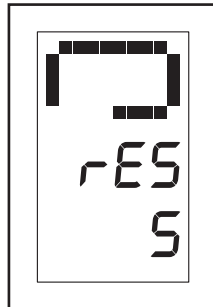
If you have selected a workout, reselect the manual mode by pressing the 7 Wt. Loss Workouts button or the 7 Perform. Workouts button repeatedly until a track appears in the upper display.



3. Begin pedaling and change the resistance of the pedals as desired.

As you pedal, change the resistance of the pedals by pressing the Resistance increase and decrease buttons.

Note: After you press the buttons, it will take a moment for the pedals to reach the selected resistance level.



4. Follow your progress with the display.

The display can show the following workout information:

Calories—This display mode will show the approximate number of calories you have burned.

Distance—This display mode will show the distance that you have pedaled in miles or kilometers.

Profile—When a workout is selected, this display mode will show a profile of the resistance settings of the workout.

Pulse—This display mode will show your heart rate when you use the handgrip heart rate monitor (see step 5 on page 16).

Resistance (Res)—This display mode will show the resistance level of the pedals for a few seconds each time the resistance level changes.

Speed—This display mode will show your pedaling speed in miles per hour or kilometers per hour.

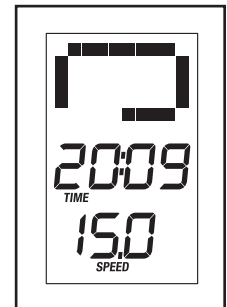
Time—When the manual mode is selected, this display mode will show the elapsed time. When a workout is selected, this display mode will show the time remaining in the workout.

Track—When the manual mode is selected, this display mode will show a track representing 1/4 mile (400 m). As you exercise, indicators will appear in succession around the track until the entire track appears. The track will then disappear and the indicators will again begin to appear in succession.

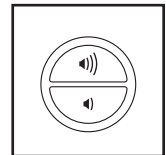
Press the Display Mode button repeatedly to view the desired workout information.

To reset the display to zero, press the On/Reset button.

Note: The console can show pedaling speed and distance in either miles or kilometers. To view or change the unit of measurement, see THE USER MODE on page 18.

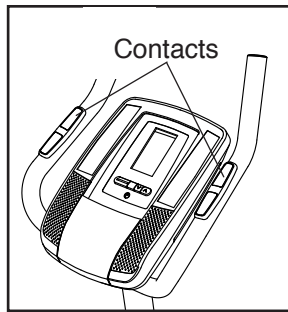


Change the volume level of the console by pressing the volume increase and decrease buttons.



5. Measure your heart rate if desired.

If there are sheets of plastic on the metal contacts on the handgrip heart rate monitor, remove the plastic. In addition, make sure that your hands are clean. To measure your heart rate, hold the handgrip heart rate monitor with your palms resting against the contacts. **Avoid moving your hands or gripping the contacts tightly.**



When your pulse is detected, a heart-shaped symbol will flash in the display and then your heart rate will be shown. For the most accurate heart rate reading, hold the contacts for at least 15 seconds.

If your heart rate is not shown, make sure that your hands are positioned as described. Be careful not to move your hands excessively or to squeeze the contacts tightly. For optimal performance, clean the contacts using a soft cloth; **never use alcohol, abrasives, or chemicals to clean the contacts.**

6. When you are finished exercising, the console will turn off automatically.

If the pedals do not move for several seconds, a series of tones will sound, the console will pause, and the time will flash in the display.

If the pedals do not move for several minutes, the console will turn off and the display will be reset.

HOW TO USE A PRESET WORKOUT

1. Turn on the console.

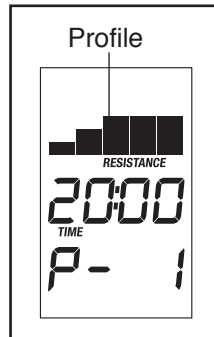
Press any button or begin pedaling to turn on the console.

When you turn on the console, the display will turn on. A tone will sound and the console will be ready for use.

2. Select a preset workout.

To select a preset workout, press the 7 Wt. Loss Workouts button or the 7 Perform. Workouts button repeatedly until the number of the desired workout appears in the lower display.

When you select a preset workout, a profile of the resistance levels of the workout will scroll across the upper display, the duration of the workout will appear in the center display, and the number of the workout will appear in the lower display.



3. Begin pedaling to start the workout.

Each workout is divided into several one-minute segments. One resistance level and one goal speed is programmed for each segment. Note: The same resistance level and/or goal speed may be programmed for consecutive segments.

During the workout, the workout profile will show your progress (see the drawing above). The flashing segment of the profile represents the current segment of the workout. The height of the flashing segment indicates the resistance level for the current segment.

At the end of each segment of the workout, a series of tones will sound and the next segment of the profile will begin to flash. If a different resistance level is programmed for the next segment, the resistance level will appear in the display for a few seconds to alert you. The resistance of the pedals will then change.

As you exercise, keep your pedaling speed near the goal speed for the current segment. The goal speed will appear in the display when the speed display mode is selected.



IMPORTANT: The goal speed is intended only to provide motivation. Your actual pedaling speed may be slower than the goal speed. Make sure to pedal at a speed that is comfortable for you.

If the resistance level for the current segment is too high or too low, you can manually override the setting by pressing the Resistance buttons. **IMPORTANT: When the current segment of the workout ends, the pedals will automatically adjust to the resistance level programmed for the next segment.**

If you stop pedaling for several seconds, a series of tones will sound and the workout will pause.

To resume the workout, simply resume pedaling. The workout will continue until the last segment of the profile flashes and the last segment of the workout ends.

4. Follow your progress with the display.

See step 4 on page 15.

5. Measure your heart rate if desired.

See step 5 on page 16.

6. When you are finished exercising, the console will turn off automatically.

See step 6 on page 16.

HOW TO USE AN IFIT WORKOUT

iFit cards are available separately. To purchase iFit cards, go to www.iFit.com or see the front cover of this manual.

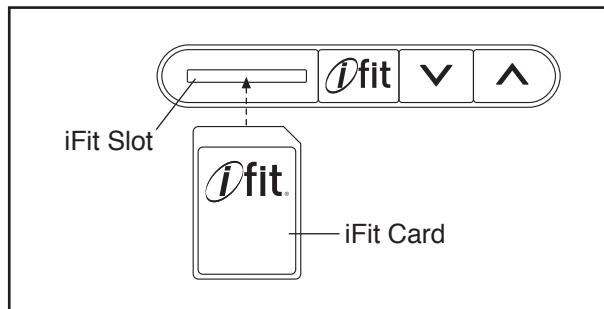
1. Turn on the console.

Press any button or begin pedaling to turn on the console.

When you turn on the console, the display will turn on. A tone will sound and the console will be ready for use.

2. Insert an iFit card and select a workout.

To use an iFit workout, insert an iFit card into the iFit slot; make sure that the iFit card is oriented so that the metal contacts are face down and are facing the slot. When the iFit card is properly inserted, the indicator next to the slot will turn on.



Next, select the desired workout on the iFit card by pressing the increase and decrease buttons next to the iFit slot.

A profile of the resistance levels of the workout will scroll across the upper display, the duration of the workout will appear in the center display, and the number of the workout will appear in the lower display.

A moment after you select a workout, the voice of a personal trainer will begin guiding you through your workout. iFit workouts function in the same way as preset workouts. To use the workout, see steps 3 to 6 on page 17.

3. When you are finished exercising, remove the iFit card.

Remove the iFit card when you are finished exercising. Store the iFit card in a secure place.

HOW TO USE THE SOUND SYSTEM

To play music or audio books through the console sound system while you exercise, plug your audio cable into the jack on the console and into a jack on your MP3 player or CD player; **make sure that your audio cable is fully plugged in.**

Next, press the play button on your MP3 player or CD player. Adjust the volume level using the volume increase and decrease buttons on the console or the volume control on your MP3 player or CD player.

THE USER MODE

The console features a user mode that allows you to select a unit of measurement for the console and to view console usage information.

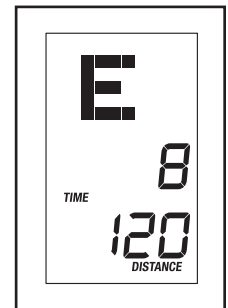
1. Select the user mode.

To select the user mode, press and hold down the Display Mode button for a few seconds until the user mode information appears in the display.

2. Select a unit of measurement if desired.

The console can show pedaling speed and distance in either miles or kilometers.

The upper display will show the selected unit of measurement. An E for English miles or an M for metric kilometers will appear in the upper display. To change the unit of measurement, press the Resistance decrease button repeatedly. Note: When you replace the batteries, it may be necessary to reselect the unit of measurement.



3. View console usage information if desired.

The center display will show the total number of hours that the console has been used since the exercise bike was purchased. The lower display will show the total distance that the pedals have moved since the exercise bike was purchased.

4. Exit the user mode.

Press the Display Mode button to exit the user mode.

MAINTENANCE AND TROUBLESHOOTING

Inspect and tighten all parts of the exercise bike regularly. Replace any worn parts immediately.

To clean the exercise bike, use a damp cloth and a small amount of mild soap. **IMPORTANT: To avoid damage to the console, keep liquids away from the console and keep the console out of direct sunlight.**

CONSOLE TROUBLESHOOTING

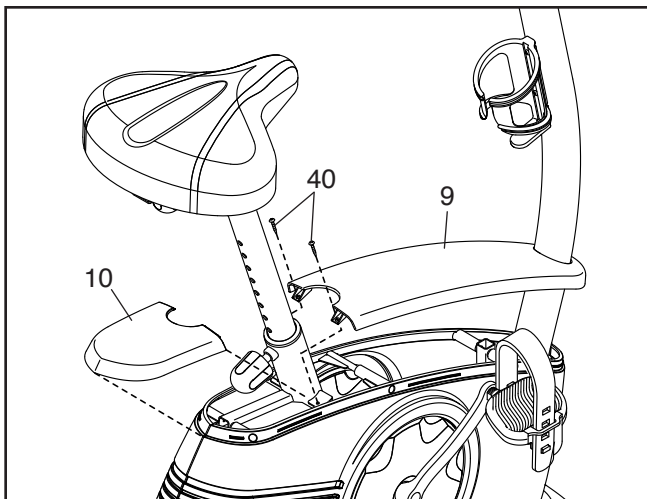
Most console problems are the result of low batteries. See assembly step 11 on page 11 for battery replacement instructions.

If the console does not display your heart rate when you use the handgrip heart rate monitor, see step 5 on page 16.

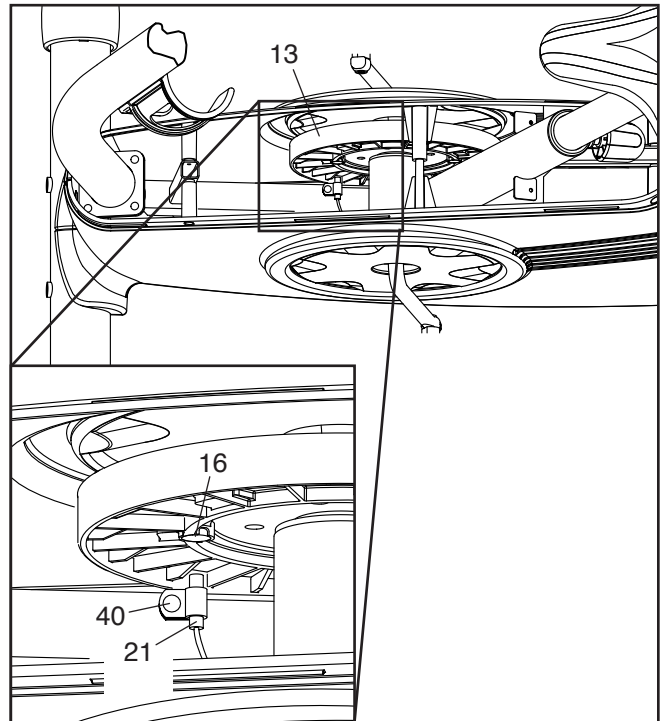
HOW TO ADJUST THE REED SWITCH

If the console does not display correct feedback, the reed switch should be adjusted.

Using a flat screwdriver, remove the Top Shield Cap (10). Then, remove the two M4 x 16mm Screws (40) and lift the Top Shield (9) away from the frame.



Next, locate the Reed Switch (21). Loosen, but do not remove, the M4 x 16mm Screw (40).



Rotate the Pulley (13) until a Pulley Magnet (16) is aligned with the Reed Switch (21). Slide the Reed Switch slightly toward or away from the Pulley Magnet. Then, retighten the M4 x 16mm Screw (40).

Rotate the pulley for a moment. Repeat these actions until the console displays correct feedback.

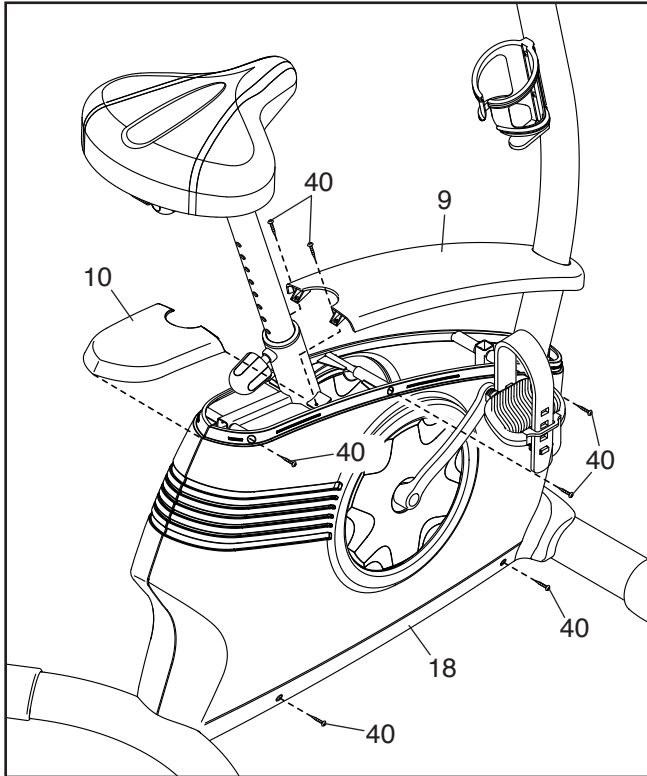
When the reed switch is correctly adjusted, reattach the top shield and the top shield cap.

HOW TO ADJUST THE DRIVE BELT

If you can feel the pedals slip while you are pedaling, even when the resistance is adjusted to the highest level, the drive belt may need to be adjusted.

To adjust the drive belt, you must remove the top shield cap, the top shield, and the right shield (see the instructions below).

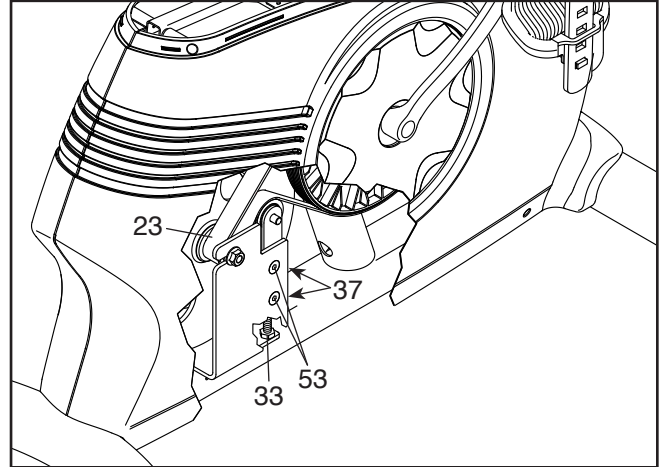
Using a flat screwdriver, remove the Top Shield Cap (10). Then, remove the two M4 x 16mm Screws (40) and lift the Top Shield (9) away from the frame.



Remove the five M4 x 16mm Screws (40) from the Right Shield (18). Then, gently move the Right Shield away from the frame.

Tip: It may be necessary to remove the right pedal. Using an adjustable wrench, turn the right pedal counterclockwise and remove it.

Hold the two M8 Locknuts (37) and loosen the two M8 x 16mm Screws (53). Next, loosen the M10 x 50mm Screw (33) until the Drive Belt (23) is tight. Then, hold the M8 Locknuts and tighten the M8 x 16mm Screws.



Then, reattach the right shield, the top shield, and the top shield cap. Reattach the right pedal, if necessary.

EXERCISE GUIDELINES

⚠️ WARNING: Before beginning this or any exercise program, consult your physician. This is especially important for persons over age 35 or persons with pre-existing health problems.

The heart rate monitor is not a medical device. Various factors may affect the accuracy of heart rate readings. The heart rate monitor is intended only as an exercise aid in determining heart rate trends in general.

These guidelines will help you to plan your exercise program. For detailed exercise information, obtain a reputable book or consult your physician. Remember, proper nutrition and adequate rest are essential for successful results.

EXERCISE INTENSITY

Whether your goal is to burn fat or to strengthen your cardiovascular system, exercising at the proper intensity is the key to achieving results. You can use your heart rate as a guide to find the proper intensity level. The chart below shows recommended heart rates for fat burning and aerobic exercise.

165	155	145	140	130	125	115	♥
145	138	130	125	118	110	103	♥
125	120	115	110	105	95	90	♥
<hr/>							
20	30	40	50	60	70	80	

To find the proper intensity level, find your age at the bottom of the chart (ages are rounded off to the nearest ten years). The three numbers listed above your age define your “training zone.” The lowest number is the heart rate for fat burning, the middle number is the heart rate for maximum fat burning, and the highest number is the heart rate for aerobic exercise.

Burning Fat—To burn fat effectively, you must exercise at a low intensity level for a sustained period of time. During the first few minutes of exercise, your body uses carbohydrate calories for energy. Only after the first few minutes of exercise does your body begin to use stored fat calories for energy. If your goal is to burn fat, adjust the intensity of your exercise until your heart rate is near the lowest number in your training zone. For maximum fat burning, exercise with your heart rate near the middle number in your training zone.

Aerobic Exercise—If your goal is to strengthen your cardiovascular system, you must perform aerobic exercise, which is activity that requires large amounts of oxygen for prolonged periods of time. For aerobic exercise, adjust the intensity of your exercise until your heart rate is near the highest number in your training zone.

WORKOUT GUIDELINES

Warming Up—Start with 5 to 10 minutes of stretching and light exercise. A warm-up increases your body temperature, heart rate, and circulation in preparation for exercise.

Training Zone Exercise—Exercise for 20 to 30 minutes with your heart rate in your training zone. (During the first few weeks of your exercise program, do not keep your heart rate in your training zone for longer than 20 minutes.) Breathe regularly and deeply as you exercise—never hold your breath.

Cooling Down—Finish with 5 to 10 minutes of stretching. Stretching increases the flexibility of your muscles and helps to prevent post-exercise problems.

EXERCISE FREQUENCY

To maintain or improve your condition, complete three workouts each week, with at least one day of rest between workouts. After a few months of regular exercise, you may complete up to five workouts each week, if desired. Remember, the key to success is to make exercise a regular and enjoyable part of your everyday life.

PART LIST

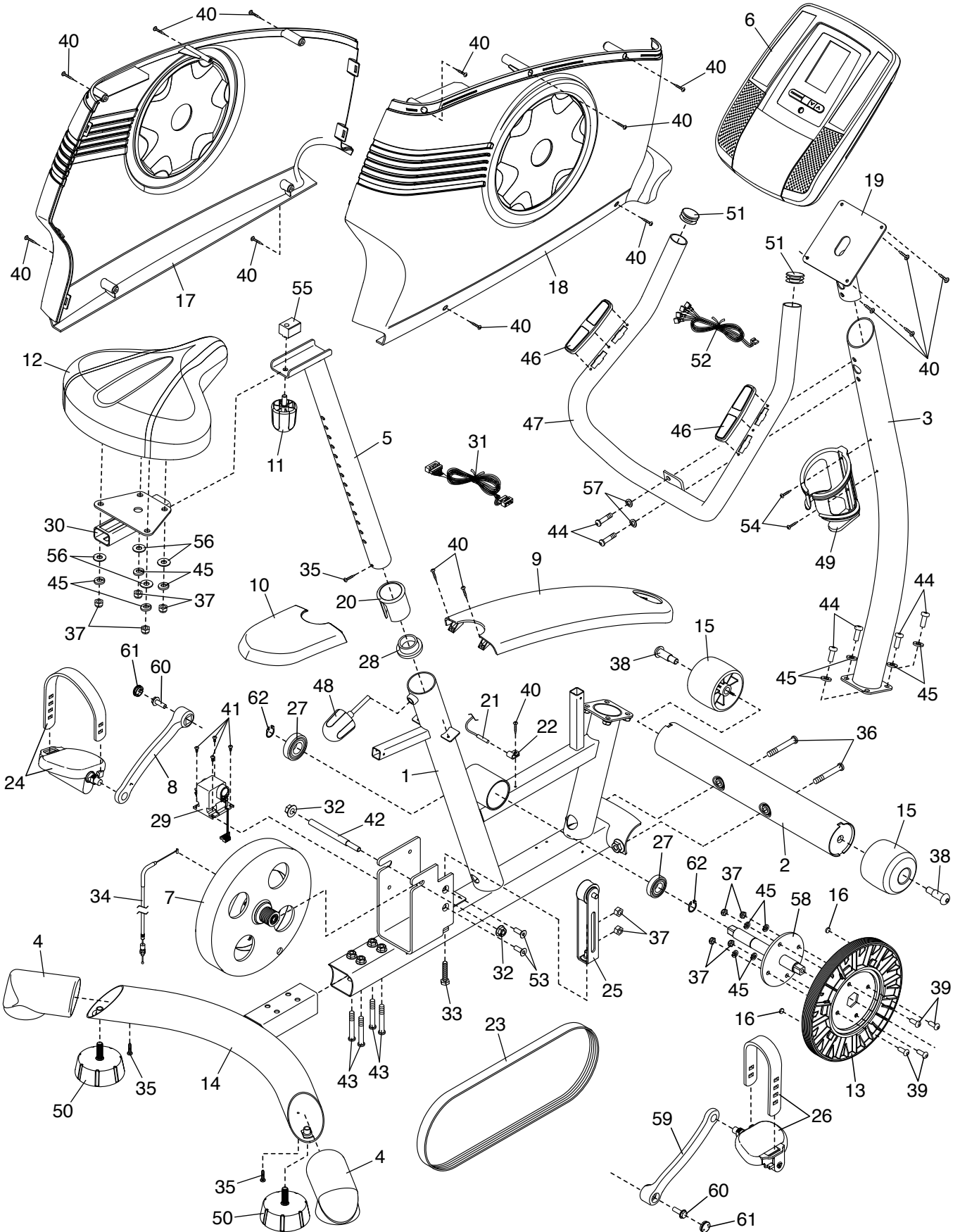
Model No. PFEVEX73012.1 R0712A

Key No.	Qty.	Description	Key No.	Qty.	Description
1	1	Frame	33	1	M10 x 50mm Screw
2	1	Front Stabilizer	34	1	Resistance Cable
3	1	Upright	35	3	M4.2 x 16mm Screw
4	2	Stabilizer Cap	36	2	M10 x 80mm Screw
5	1	Seat Post	37	10	M8 Locknut
6	1	Console	38	2	M10 x 41mm Screw
7	1	Flywheel Assembly	39	4	M8 x 20mm Bolt
8	1	Left Crank Arm	40	17	M4 x 16mm Screw
9	1	Top Shield	41	4	M4 x 12mm Flange Screw
10	1	Top Shield Cap	42	1	Flywheel Axle
11	1	Seat Knob	43	4	M8 x 60mm Screw
12	1	Seat	44	6	M8 x 25mm Screw
13	1	Pulley/Crank	45	12	M8 Split Washer
14	1	Rear Stabilizer	46	2	Pulse Sensor
15	2	Wheel	47	1	Handlebar
16	2	Pulley Magnet	48	1	Seat Post Knob
17	1	Left Shield	49	1	Water Bottle Holder
18	1	Right Shield	50	2	Leveling Foot
19	1	Console Plate	51	2	Handlebar Cap
20	1	Seat Post Bushing	52	1	Pulse Wire
21	1	Reed Switch/Wire	53	2	M8 x 16mm Screw
22	1	Reed Switch Clamp	54	2	M4 x 22mm Screw
23	1	Drive Belt	55	1	Carriage Block
24	1	Left Pedal/Strap	56	4	M8 Washer
25	1	Idler	57	2	M8 Curved Washer
26	1	Right Pedal/Strap	58	1	Crank
27	2	Crank Bearing	59	1	Right Crank Arm
28	1	Seat Post Cap	60	2	5/16" Flange Screw
29	1	Resistance Motor	61	2	Crank Arm Cap
30	1	Seat Carriage	62	2	Snap Ring
31	1	Main Wire	*	–	User's Manual
32	2	M10 Flange Nut	*	–	Assembly Tool

Note: Specifications are subject to change without notice. For information about ordering replacement parts, see the back cover of this manual. *These parts are not illustrated.

EXPLODED DRAWING

Model No. PFEVEX73012.1 R0712A



ORDERING REPLACEMENT PARTS

To order replacement parts, please see the front cover of this manual. To help us assist you, be prepared to provide the following information when contacting us:

- the model number and serial number of the product (see the front cover of this manual)
- the name of the product (see the front cover of this manual)
- the key number and description of the replacement part(s) (see the PART LIST and the EXPLODED DRAWING near the end of this manual)

RECYCLING INFORMATION

This electronic product must not be disposed of in municipal waste. To preserve the environment, this product must be recycled after its useful life as required by law.

Please use recycling facilities that are authorized to collect this type of waste in your area. In doing so, you will help to conserve natural resources and improve European standards of environmental protection. If you require more information about safe and correct disposal methods, please contact your local city office or the establishment where you purchased this product.

