

PRO·FORM

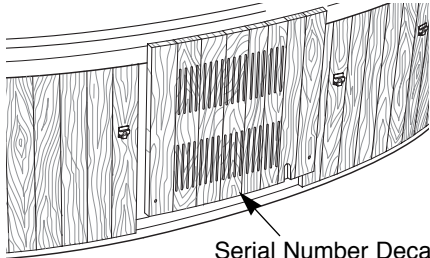
RESTORATION 2.0

Hydrotherapy Spa

Model No. PFHS70071

Serial No. _____

The serial number can be found in the location shown below. Write the serial number in the space above.



Serial Number Decal
(on the frame behind
the access cover)

USER'S MANUAL

QUESTIONS?

PLEASE CALL DIRECT TO OUR TOLL-FREE CUSTOMER HOT LINE. The trained technicians on our customer hot line will provide immediate assistance, free of charge to you.

CUSTOMER HOT LINE:

1-800-999-3756

Mon.–Fri., 6 a.m.–6 p.m. MST

A pH testing kit (not included) is required for proper use and maintenance of this product. A pH testing kit can be purchased at any spa or pool supply store.



CAUTION

Read all precautions and instructions in this manual before using this equipment. Save this manual for future reference.



Visit our website at

www.proform.com

new products, prizes,
fitness tips, and much more!

TABLE OF CONTENTS

LIMITED ONE YEAR MESSAGE SPA WARRANTY	2
IMPORTANT SAFETY INSTRUCTIONS	3
BEFORE YOU BEGIN	6
CHOOSING A LOCATION FOR THE RESTORATION 2.0	7
SET-UP AND ASSEMBLY	8
USING THE RESTORATION 2.0	10
MAINTENANCE	13
TROUBLE-SHOOTING	16
PART LIST	18
EXPLODED DRAWING	19
ORDERING REPLACEMENT PARTSBack Cover

LIMITED FIVE YEAR MESSAGE SPA WARRANTY

ICON Health & Fitness, Inc. (ICON), warrants this product to be free from defects in workmanship and material, under normal use and service conditions, for a period of ninety (90) days from the date of purchase. ICON extends a limited five (5) year warranty on the spa shell structure. ICON also extends a limited two (2) year warranty on the pump and motor. This warranty extends only to the original purchaser. ICON's obligation under this warranty is limited to replacing or repairing, at ICON's option, the product through one of its authorized service centers. All repairs for which warranty claims are made must be pre-authorized by ICON. This warranty does not extend to any product or damage to a product caused by or attributable to freight damage, abuse, misuse, improper or abnormal usage, or repairs not provided by ICON authorized service personnel, to products used for commercial or rental purposes, or to products used as store display models. Specifically excluded are damages caused by or attributable to the following incidents: any damage to the wood exterior resulting from improper maintenance, or any damage to the wood or tile exterior attributable to freight mishandling; damage resulting from improper winterization; damage to the spa shell resulting from improper chemical treatment, damage to the spa shell resulting from exposure to extreme temperatures, or damage to the spa shell resulting from exposure to direct sunlight and ultraviolet rays while the spa is empty; damage to the pump, motor, plumbing, and components due to improper maintenance, chemical treatment, or exposure; damage resulting from failure to properly follow user's manual installation, operating, or maintenance instructions. Also excluded are consumable components, including but not restricted to headrests, filter cartridges, and light bulbs. No other warranty beyond that specifically set forth above is authorized by ICON.

ICON is not responsible or liable for indirect, special or consequential damages arising out of or in connection with the use or performance of the product or damages with respect to any economic loss, loss of or damage to property including water damage, loss of revenues or profits, loss of enjoyment or use, costs of removal, installation or other consequential damages of whatsoever nature. Some states do not allow the exclusion or limitation of incidental or consequential damages. Accordingly, the above limitation may not apply to you.

The warranty extended hereunder is in lieu of any and all other warranties and any implied warranties of merchantability or fitness for a particular purpose is limited in its scope and duration to the terms set forth herein. Some states do not allow limitations on how long an implied warranty lasts. Accordingly, the above limitation may not apply to you.

This warranty gives you specific legal rights. You may also have other rights which vary from state to state.

ICON HEALTH & FITNESS, INC., 1500 S. 1000 W., LOGAN, UT 84321-9813

IMPORTANT SAFETY INSTRUCTIONS

WARNING: TO REDUCE THE RISK OF DROWNING, ELECTRIC SHOCK, OR SERIOUS INJURY, READ THE FOLLOWING IMPORTANT PRECAUTIONS BEFORE USING THE RESTORATION 2.0.

READ AND FOLLOW ALL INSTRUCTIONS

1. It is the responsibility of the owner to ensure that all users of the RESTORATION 2.0 are adequately informed of all precautions.
2. Use the RESTORATION 2.0 only as described in this manual.
3. The RESTORATION 2.0 is intended for home use only. Do not use this product in any commercial, rental, or institutional setting.
4. Use the RESTORATION 2.0 only on a level surface. Do not use the RESTORATION 2.0 on carpet or other materials that could be damaged by moisture. Do not use the RESTORATION 2.0 on rough or sharp surfaces such as gravel or wood chips.
5. The RESTORATION 2.0 will weigh approximately 1250 pounds when it is filled with water. Be sure that the location you select for the RESTORATION 2.0 will support this weight, plus the weight of the occupants.
6. Inspect and tighten all parts regularly; replace any worn or missing parts immediately.
7. **DANGER—Risk of injury:** Do not remove or alter the covers on the suction fittings. Never operate the RESTORATION 2.0 if the suction guard is missing or broken. If you need to replace a suction fitting, be sure that the flow rate of the replacement is compatible. Keep hair and body away from the suction guard. Do not allow long hair to float freely in the water; long hair should be restrained with a bathing cap.
8. **IMPORTANT:** Do not allow the RESTORATION 2.0 to be exposed to direct sunlight when it is empty. The surface of the spa shell can reach temperatures as high as 150°F in a matter of minutes if exposed to the sun while it is empty. These high temperatures can cause significant damage, such as blistering of the shell surface and warping of the spa shell. Any damage caused by sun exposure is not covered under warranty.
9. Do not bring any object into the RESTORATION 2.0 that could damage the spa shell.
10. Never insert any object into any opening.
11. Do not use breakable containers near or in the RESTORATION 2.0.
12. Do not sit on the spa cover or place objects on it. It is not designed to support weight.
13. Remove any water or debris which may collect on the spa cover.
14. Keep children and pets away from the RESTORATION 2.0 when it is not in use.
15. Keep all chemicals away from children and pets.
16. The pH and chemical balance of the water must be maintained as explained in this manual (see pages 10 and 14). Failure to do so may cause injury to users or damage to the spa, and will void the warranty.
17. Individuals with infections and open sores or wounds should not use the RESTORATION 2.0. Bacteria thrive in warm and hot water. Always keep your spa disinfected and maintain the proper chemical balance.
18. You should shower before and after using the RESTORATION 2.0. This will remove any deodorant, perspiration, or body oils which could contaminate the water. Showering after will remove any residual chemicals and will also remove any bacteria which may have been in the spa.
19. **DANGER—**When connecting the power cord (see **PLUGGING IN THE RESTORATION 2.0** on page 10), plug the power cord directly into a grounded circuit capable of carrying 15 or more amps. No other appliance should be on the same circuit. Replace the power cord immediately if damaged.

20. Do not use an extension cord with the RESTORATION 2.0. This could damage the motor and will void the warranty.
21. **DANGER**—If you will be using the RESTORATION 2.0 outside, do not bury the power cord; you should also keep the power cord away from lawn mowers, hedge trimmers, and other similar equipment.
22. **WARNING**—The power cord is equipped with a Ground Fault Circuit Interrupter (GFCI), located at the end of the power cord. The GFCI must be tested before each use. To test the GFCI, press the “test” button while the spa is running. The spa should shut off. Press the “reset” button. The spa should resume normal operation. If the spa continues to run after the “test” button is pressed, then the GFCI is damaged. Do not use the RESTORATION 2.0 until the GFCI has been repaired or replaced by a qualified electrician.
23. Keep all electrical appliances such as radios, telephones, televisions, and lights at least five feet (1.52 meters) away from the water.
24. A wire connector is provided on the pump motor of this unit to connect a minimum No. 8 AWG (804 mm²) solid copper conductor between this unit and any metal equipment, electrical enclosure made of metal, metal water pipes, or conduit within five feet (1.52m) of the unit.
25. **DANGER**—Risk of electric shock: Do not set up the RESTORATION 2.0 within five feet of any metal objects or surfaces. As an alternative, you may use the RESTORATION 2.0 within five feet of metal objects if each metal object is permanently connected to the wire connector on the pump motor of this unit by a minimum No. 8 AWG (804 mm²) solid copper conductor (see instruction 24).
26. Do not operate the pump motor when the spa is empty. The pump motor may be seriously damaged if it is operated without water circulating. The cut-off valves must always be open when using the spa (see page 15).
27. **DANGER**—Risk of drowning: Exercise extreme caution to prevent unauthorized and unsupervised use of the RESTORATION 2.0 by children. Children must always be supervised.
28. **DANGER**—To reduce the risk of drowning:
- Never use the RESTORATION 2.0 alone;
 - Children should not use the RESTORATION 2.0 unless they are supervised by an adult;
 - Keep pets away from the RESTORATION 2.0 at all times;
 - Always replace and lock the spa cover when the RESTORATION 2.0 is not in use.
29. **WARNING**—To reduce the risk of injury: The water temperature should never exceed 104°F (40°C). Temperatures between 100°F (38°C) and 104°F (40°C) are considered to be safe for healthy adults. However, if you plan to remain in the RESTORATION 2.0 for more than 10 to 15 minutes, a lower temperature is recommended. Lower temperatures are also recommended for children. Children should not be allowed to swim under the surface in the spa.
30. **WARNING**—To reduce the risk of injury: Always use an accurate thermometer to determine the water temperature before using the RESTORATION 2.0.
31. **WARNING**—To reduce the risk of injury: Pregnant women should consult with their physician before using the RESTORATION 2.0. Pregnant women should not use the RESTORATION 2.0 if the water temperature is above 100°F (38°C); the unborn child could be seriously harmed. This is especially important during the first 90 days of the pregnancy.
32. **DANGER**—To reduce the risk of drowning: Prolonged immersion in the RESTORATION 2.0 may cause hyperthermia, a dangerous condition which occurs when the internal body temperature rises several degrees above the normal body temperature of 98.6°F. The symptoms of hyperthermia are nausea, dizziness, drowsiness, and fainting. Effects include: a lack of awareness, inability to perceive heat or danger, and a greater risk of drowning due to a loss of consciousness. Special note: Individuals suffering from hyperthermia may be unable to realize that they must exit the RESTORATION 2.0, and they also may be physically unable to do so.
33. **WARNING**—To reduce the risk of drowning: Do not use the RESTORATION 2.0 if you are under the influence of alcohol or drugs. Heat from the water, in conjunction with alcohol or drugs can cause unconsciousness.

34. **WARNING**—To reduce the risk of injury or drowning: Consult your physician about possible side-effects of any medications you may be taking before using the RESTORATION 2.0. Heat from the water, in conjunction with some medications may cause drowsiness and increase the risk of drowning. Others can effect blood pressure, heart rate, and circulation.

35. Do not use the RESTORATION 2.0 immediately after strenuous exercise.

36. If you feel pain or dizziness at any time while using the RESTORATION 2.0, discontinue use and contact a physician.

37. **WARNING**—To reduce the risk of injury: It is especially important for persons over the age

problems, such as obesity, heart disease, high or low blood pressure, circulatory problems, or diabetes to consult their physician before using this product.

38. **WARNING**—The spa jets produce a stream of water with relatively high pressure. Prolonged exposure of a localized area of the body may cause bruises to the skin.

39. The included warning sign must be posted where all users of the spa can see and read it (see POSTING THE WARNING SIGN on page 12).

40. **WARNING DECAL PLACEMENT:** Locate the decals shown below and familiarize yourself with this information.

⚠

WARNING

AVOID DROWNING RISK

- STAY OFF COVER—WILL NOT SUPPORT WEIGHT.
- KEEP CHILDREN AWAY. CHILDREN OR OBJECTS CANNOT BE SEEN UNDER COVER.
- REMOVE STANDING WATER—CHILD CAN DROWN ON TOP OF COVER.
- REMOVE COVER(S) COMPLETELY BEFORE ENTRY OF BATHERS—ENTRAPMENT POSSIBLE.
- NON-SECURED OR IMPROPERLY SECURED COVERS ARE A HAZARD.
- FAILURE TO FOLLOW ALL INSTRUCTIONS MAY RESULT IN INJURY OR DROWNING.
- THIS IS NOT A SAFETY COVER.

⚠

WARNING!

Exposure of the spa surface to direct sunlight or ultra-violet rays may cause damage to the spa's surface and will void the surface warranty of this spa.

⚠

WARNING

PREVENT DROWNING

1. SUPERVISE CHILDREN AT ALL TIMES.
2. ATTACH SPA COVER AFTER EACH USE.
3. SPA HEAT CAN CAUSE HYPERTHERMIA AND UNCONSCIOUSNESS.
4. SPA HEAT IN CONJUNCTION WITH ALCOHOL, DRUGS, OR MEDICATION CAN CAUSE UNCONSCIOUSNESS.

⚠

WARNING

PREVENT ELECTROCUTION

1. NEVER PLACE ANY ELECTRIC APPLIANCE WITHIN 5 FEET OF SPA.

NOTE: THIS MARKING IS TO BE REMOVED ONLY BY THE OWNER.

WARNING: Read all instructions before using the RESTORATION 2.0. ICON assumes no responsibility for personal injury or property damage sustained by or through the use of this product.

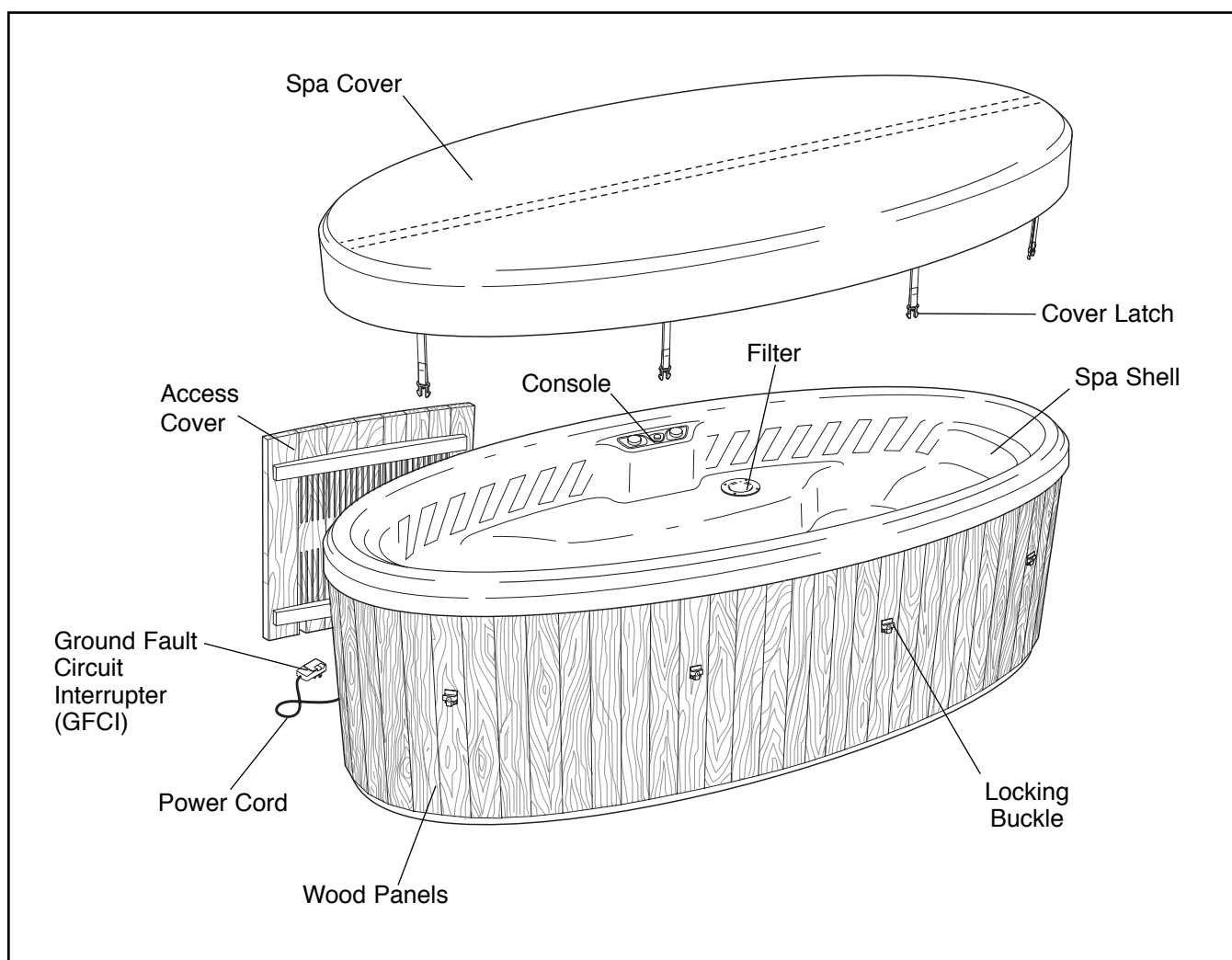
SAVE THESE INSTRUCTIONS

BEFORE YOU BEGIN

Thank you for selecting the innovative PROFORM® RESTORATION 2.0 Massage Spa. The RESTORATION 2.0 offers the features and quality of a traditional hot tub at an affordable price. Best of all, the RESTORATION 2.0 provides the benefits of hydrotherapy in the comfort of your own home. Hydrotherapy is a proven method for soothing tired muscles after exercise or for relieving the stress of a busy life. The warm environment stimulates blood flow which is essential in the healing process. The powerful massage action created by the jets further eases tension and stress throughout the body. The RESTORATION 2.0 gives you the specialized treatment you need to feel your best.

For your safety and benefit, read this manual carefully before using the PROFORM® RESTORATION 2.0. If you have additional questions, please call our Customer Service Department toll-free at 1-800-999-3756, Monday through Friday, 6 a.m. until 6 p.m. Mountain Time (excluding holidays). To help us assist you, please note the product model number and serial number before calling. The model number is PFHS70071. The serial number can be found on a decal attached to frame inside the spa (see the front cover of this user's manual).

Before reading further, please familiarize yourself with the parts that are labeled in the drawing below.



CHOOSING A LOCATION FOR THE RESTORATION 2.0

There are many factors to consider when choosing a location to set up the RESTORATION 2.0. These factors vary depending on whether you use the RESTORATION 2.0 inside or outside. We have listed several factors you may wish to consider as you decide where you want to use the RESTORATION 2.0.

If you set up the RESTORATION 2.0 inside:

1. The RESTORATION 2.0 will increase the level of humidity in your home. The location you choose should be well ventilated. You may need to install a ventilation fan or use a dehumidifier.
2. The location must be close to an electrical outlet. **Do not use an extension cord with the RESTORATION 2.0.**
3. The RESTORATION 2.0 should be close to a source of water.
4. Do not use the RESTORATION 2.0 on carpet or other material that may be damaged by moisture. We recommend that you place the RESTORATION 2.0 on a water- and stain-resistant, non-slip surface with a floor drain for any water that may splash from the RESTORATION 2.0.
5. Be sure that the location you choose is stable. It must be able to support the weight of the RESTORATION 2.0 when it is filled with water, plus the weight of the occupants. The RESTORATION 2.0 weighs approximately 1250 pounds when filled with water.
6. Do not use the RESTORATION 2.0 above a finished living area, due to the risk of water damage.
7. Be sure that there is room around the RESTORATION 2.0 to permit servicing of the unit. The dimensions of the spa are: 3'7"W x 7'6"L x 2'5"H. You should allow for this size when choosing the location.
8. The RESTORATION 2.0 is not designed for in-floor installation. However, it is compatible with a deck system that is built flush with the top of the spa, provided you leave access to the motor for service.
9. Be sure to note any other considerations, such as aesthetics or privacy concerns, which may affect the safety or enjoyment of using the RESTORATION 2.0.

If you set up the RESTORATION 2.0 outside:

1. You should check your local building codes concerning the use of outdoor spas.
2. The location must be close to an electrical outlet. **Do not use an extension cord with the RESTORATION 2.0.**
3. The RESTORATION 2.0 should be close to a source of water.
4. We recommend that you place the RESTORATION 2.0 on a water- and stain-resistant, non-slip surface. Do not use the RESTORATION 2.0 on rough or sharp surfaces such as gravel or wood chips.
5. Be sure that the location you choose is stable. It must be able to support the weight of the RESTORATION 2.0 when it is filled with water, plus the weight of the occupants. The RESTORATION 2.0 weighs approximately 1250 pounds when filled with water.
6. Think about environmental factors, such as rain, wind, shade, sunlight, and so forth.
7. You should be able to monitor the use of the RESTORATION 2.0 from your home, to prevent unauthorized use by children. You may want to enclose the spa with a fence and self-latching gate to prevent unauthorized use.
8. Be sure that there is room around the RESTORATION 2.0 to permit servicing of the unit. The dimensions of the spa are: 3'7"W x 7'6"L x 2'5"H. You should allow for this size when choosing the location.
9. The RESTORATION 2.0 is not designed for in-ground installation. However, it is compatible with a deck system that is built flush with the top of the spa, provided you leave access to the motor for service.
10. Be sure to note any other considerations, such as aesthetics or privacy concerns, which may affect the safety or enjoyment of using the RESTORATION 2.0.



SET-UP AND ASSEMBLY

Before beginning assembly, carefully read the following information and instructions:

- Place all parts in a cleared area and remove the packing materials from the spa shell; do not dispose of the packing materials until assembly is completed.
- Assembly requires two people.

- Read each assembly step before you begin.
- During assembly, make sure that all parts are oriented as shown in the drawings.

TOOLS REQUIRED FOR ASSEMBLY:

- **Your own phillips screwdriver** 
- **You may also need a hammer** 

1. **Before beginning assembly, be sure that you have read and understand the information in the box above and on the previous page.**

Remove the two cover screws from the access cover. Remove the access cover from the Spa Unit (15) by sliding the access cover down and pulling the bottom of access cover away from the Spa Unit. **Be careful not to damage the spa shell.**

Remove the Power Cord with the GFCI (9) from inside the Spa Unit (15).

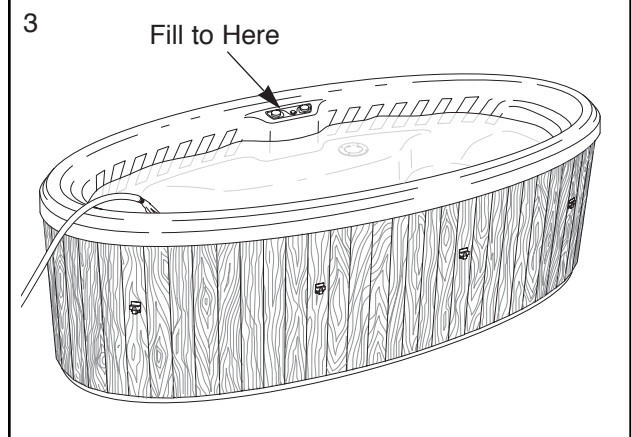
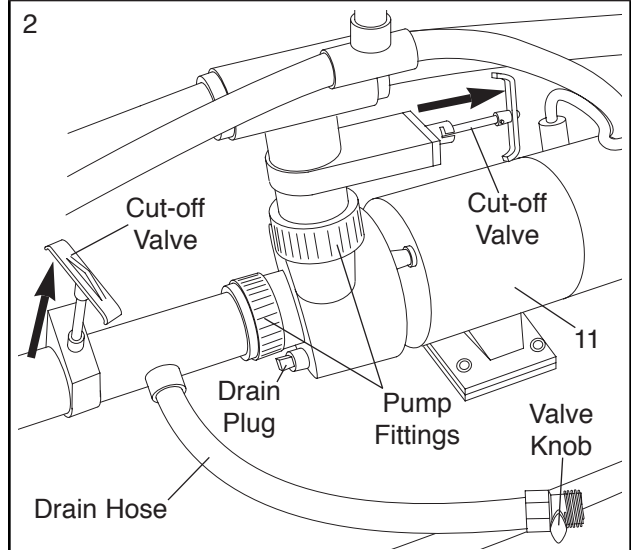
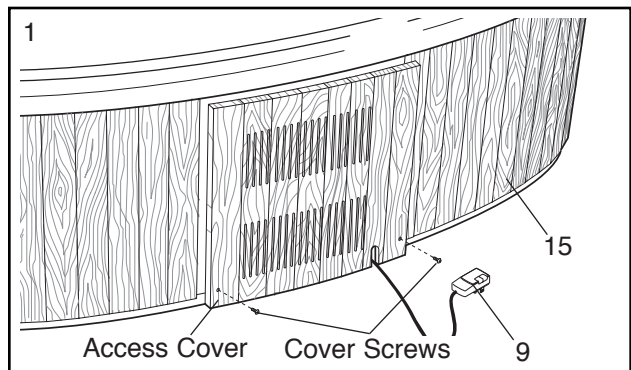
2. Locate and check the position of the cut-off valves. Occasionally the valves will be closed at the factory during manufacturing. The cut-off valves must be open for proper spa operation. To open the valves, hold one of the handles and turn the handle until you can pull it out to the open position. Open the other valve in the same manner. **WARNING: THE MOTOR WILL BE DAMAGED IF IT IS OPERATED WITH THE CUT-OFF VALVES CLOSED.**

Close the valve knob on the drain hose. Thread the drain plug into the Pump Motor (11). Tighten the pump fittings.

Re-attach the access cover (not shown) to the Spa Unit (see step 1 above).

3. Wipe out the spa shell using a damp cloth. Remove the two warning decals (not shown) from the spa shell. Before you fill the RESTORATION 2.0, be sure that it is in the position you want, and that it can be easily serviced, if needed. Once the spa is filled with water, it must be drained to be moved.

Using a garden hose or other clean water source, begin filling the RESTORATION 2.0. The water temperature does not matter; however, if you use warm or hot water, the spa will be ready to use sooner. Fill the spa, until the water reaches the fill line. **Do not overfill the spa.**



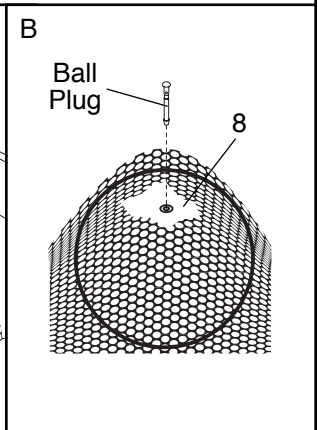
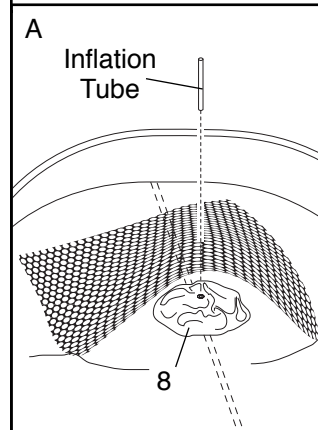
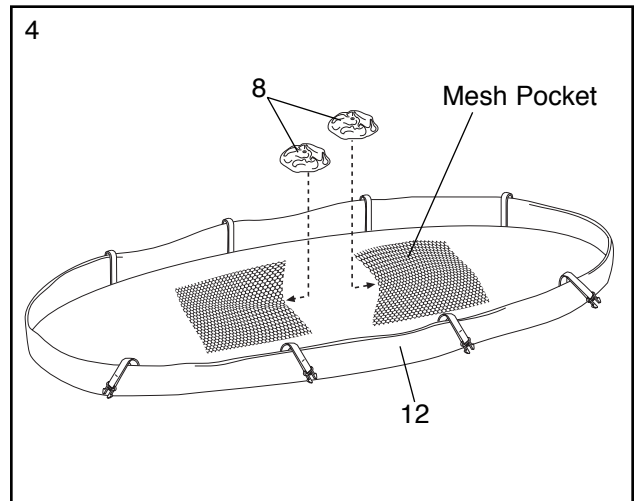
4. Insert a Support Ball (8) into each mesh pocket on the underside of the Spa Cover (12).

See inset drawing A. Insert the inflation tube into the hole in one of the Support Balls (8). Inflate the Support Ball.

See inset drawing B. When the Support Ball (8) is inflated, remove the inflation tube and insert the ball plug through the mesh into the Support Ball. **The head of the ball plug will hold the Support Ball in place.**

Inflate the other Support Ball (8) in the same manner.

Note: The Support Balls (8) are not toys.



5. Place the Spa Cover (13) over the RESTORATION 2.0. **Be sure that the Spa Cover is properly centered.**

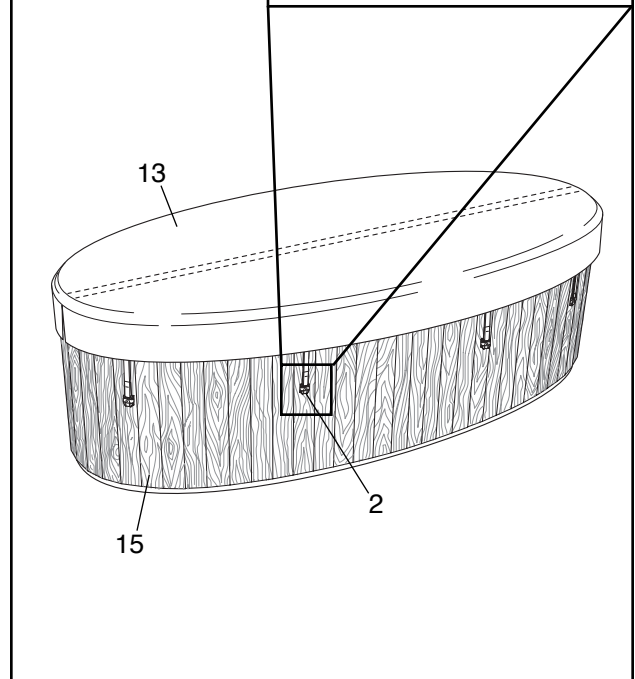
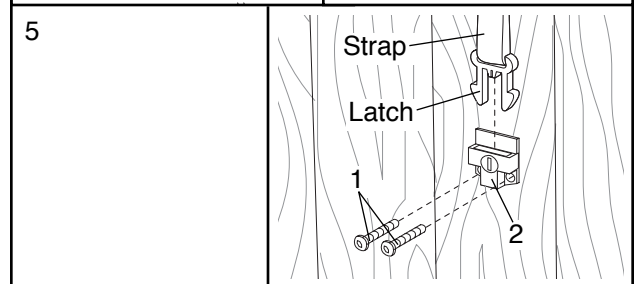
Snap a Buckle (2) onto each of the eight latches on the Spa Cover (13).

See the inset drawing. Position one of the Buckles (2) on the wood panels on the Spa Unit (15) and hold the Buckle in place, so the strap on the Spa Cover (13) is tight. (Note: It may be easier to position the Buckles if a second person holds the strap on the opposite side of the Spa Cover tight.) **The Spa Cover must be tight. Do not place the Buckle over one of the grooves in the wood panels.** Remove the latch. Attach the Buckle to the side of the spa with two Buckle Screws (1). **Note: It may be helpful to use a hammer and a nail to tap starter holes in the wood panels. You may also want to apply a little soap or wax to the screw threads.**

Attach the other seven Buckles (2) to the Spa Unit (15) in the same manner.

Remove the Spa Cover (13) after you have attached the Buckles (2).

Fully read the section USING THE RESTORATION 2.0 before using the spa.



USING THE RESTORATION 2.0

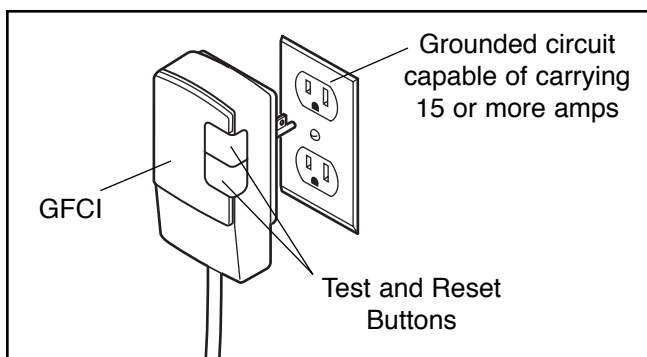
The RESTORATION 2.0 is designed to seat two adults. The six thera-jets can be regulated to provide a relaxing massage to sooth away stress, and the strength of the water massage can be adjusted by the air control. The RESTORATION 2.0 holds 120 gallons of water and offers an automatic, programmable heating (70°F to 104°F) and filtration system.

The guidelines below explain how to properly use the RESTORATION 2.0. Follow these guidelines to maintain the RESTORATION 2.0 for your long-term enjoyment.

PLUGGING IN THE RESTORATION 2.0

Once the RESTORATION 2.0 is filled with water **and you have made sure that the cut-off valves to the pump are open**, the power cord can be plugged in and the spa can be turned on. Note: The first time the power cord is plugged in, the spa will turn on automatically.

When connecting the power cord, plug the power cord directly into a grounded circuit capable of carrying 15 or more amps. No other appliance should be on the same circuit. Replace the power cord immediately if it becomes damaged.



The power cord is equipped with a Ground Fault Circuit Interrupter (GFCI), located at the end of the power cord. You should always test the GFCI before using the RESTORATION 2.0.

First, turn on the RESTORATION 2.0 by pressing the power button on the console. Once the unit is running, press the GFCI “test” button. The RESTORATION 2.0 should shut off. Press the “reset” button. The RESTORATION 2.0 should resume normal operation. If the RESTORATION 2.0 continues to run after the “test” button is pressed, then the GFCI is damaged. Do not use the RESTORATION 2.0 until the GFCI has been repaired or replaced by a qualified electrician.

TESTING AND TREATING THE WATER

The RESTORATION 2.0 comes with a starter chemical pack for maintaining the water in the spa. Disregard the directions on the individual packages of “QUICK pHix It DOWN” and “QUICK pHix It UP.” However, the directions on the bottle of “Non-chlorine Shox” and “Bromine Base” are correct. **Always keep the chemicals away from children and pets.**

The first time you use the spa, you should test and treat the water. **You must also treat the water each time you refill the spa.** Once you have verified that the spa is functioning properly, and the water has circulated for a while, remove the spa cover and add 1/3 of the “Bromine Base” bottle, and 1/3 of the “Non-chlorine Shox” bottle to the water. Allow the water to circulate for five minutes. You should now test the pH of the water. You will need a pH test kit (not included), which can be obtained at a pool and spa supply store. The pH reading should be between 7.2 and 7.8.

If the level is too low, add half of one of the “QUICK pHix It UP” packets to the water. Let the water circulate through the spa for five minutes. Test the pH level again. Repeat until the pH level is correct.

If the level is too high, add half of one of the “QUICK pHix It DOWN” packets to the water. Let the water circulate through the spa for five minutes. Test the pH level again. Repeat until the pH level is correct.

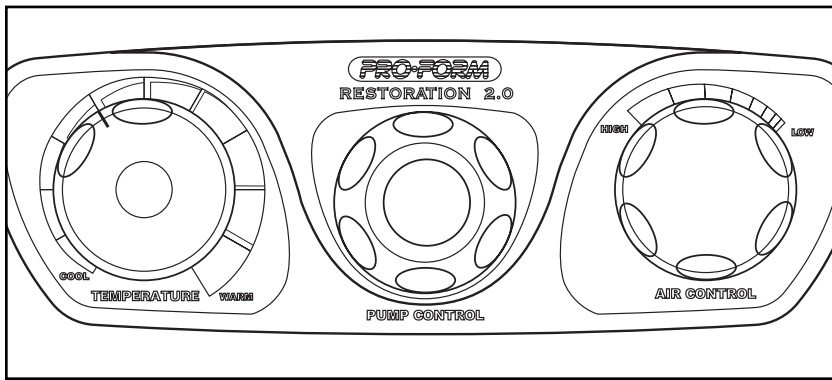
See WATER CHEMISTRY on page 13 for information concerning proper water maintenance.

STARTING THE RESTORATION 2.0

Once you have tested the GFCI, you should verify the water flow from the pumping unit. Set the air control on the console to the lowest setting (see USING THE CONSOLE on the next page). The pumping unit will heat the water as it pumps. Cover the RESTORATION 2.0 with the spa cover. **The spa cover must be tight and the insulation blanket in place.** (See USING THE INSULATION BLANKET and SECURING THE SPA COVER on page 12.) The water will heat at about 2.0°F an hour with the cover on. If you are using the spa indoors, and the room temperature is maintained at 70°F, it will take approximately 18 to 24 hours for the water to reach the set temperature.

The temperature and water flow can be set or changed by the controls on the console (see USING THE CONSOLE on the next page).

USING THE CONSOLE



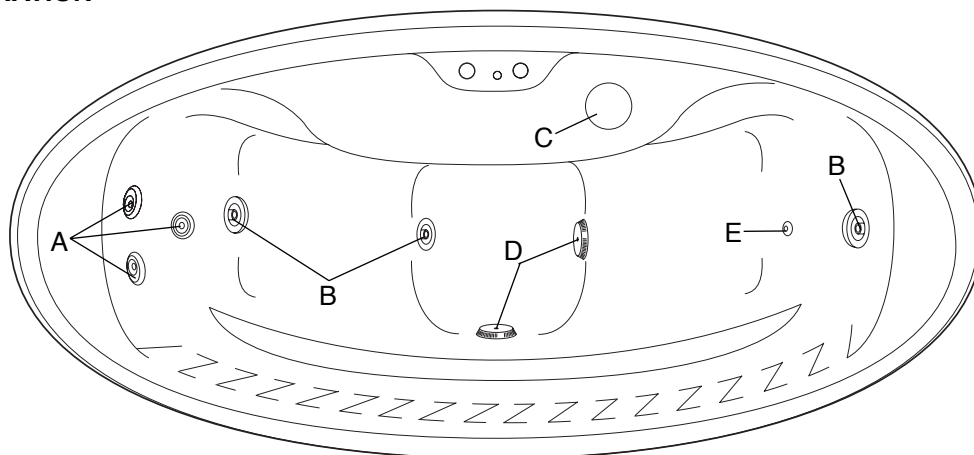
Refer to the console diagram above. The function of each console control is explained below:

Temperature: Controls the temperature of the water. The water heats at about 2.0°F an hour with the cover on. The thermostat can be set to heat the water from 70°F to 104°F. Always use an accurate thermometer to check the temperature of the water.

Pump Control: Turns the thera-jets on and off. To turn the thera-jets on, press the control once. To turn the thera-jets off, press the control again. The thera-jets will remain off for 20 minutes. After 20 minutes, the pump will begin cycling to heat the water if the temperature falls below the minimum setting. **Note: To keep the heat cycle from running, the power cord must be unplugged.**

Air Control: Determines the amount of air that is in the spa jet system during operation. If the control is turned to the left, the amount of air flowing through the jets will increase. If the control is turned to the right, the amount will decrease.

SPA JET OPERATION



Refer to the diagram above. The function of each spa jet is explained below:

The **three uni-directional thera-jets (A)**, located on one end of the spa, focus the water massage on your back.

The **three multi-directional thera-jets (B)** can be adjusted for a custom hydro-massage. One of the jets is located below the three uni-directional thera-jets and focuses the water massage on your lower back. Another jet, located near the floor, focuses the water massage on your legs. The remaining jet, located on the other end of the spa, focuses the water massage on your upper or lower back.

The **filter (C)** can be removed for replacement and cleaning (see CHECKING AND CLEANING THE FIL-

TER on page 13 for information on how to remove the filter from the spa).

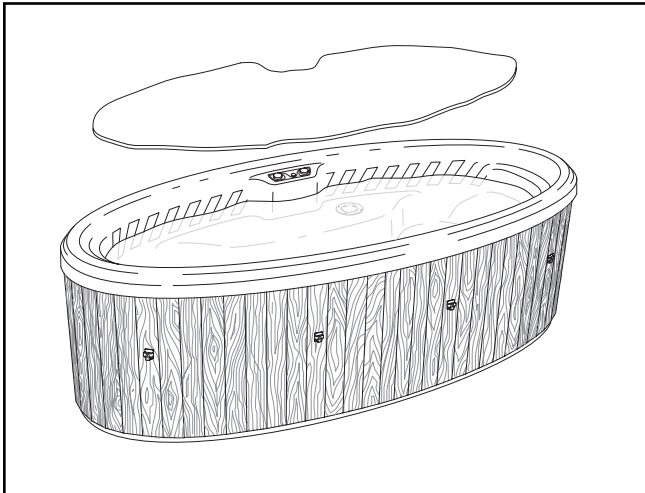
The **suction vents (D)**, located near the floor of the spa, bring the water into the pump, in order to operate the system. The suction covers should always be in place over the suction vents. **Never operate the spa without the suction covers in place.**

This spa is ozone ready. An optional ozone generator can be installed to utilize the **ozone jet (E)**. Ozone provides a way to help sanitize your spa with minimal chemical treatment.

The RESTORATION 2.0 features automatic freeze protection. If the water temperature falls below 40°F, the pump will begin circulating and heating the water to prevent the water from freezing.

USING THE INSULATION BLANKET

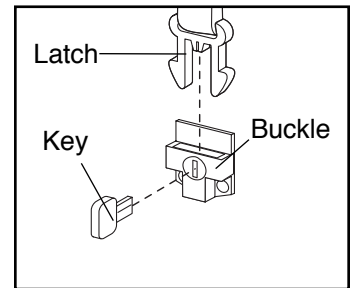
The insulation blanket works with the spa cover to trap the heat and help the water to heat faster. To use the blanket, simply lay it on the surface of the water after you have filled the spa and treated the water. You should always replace the blanket and cover once you get out of the spa. **Note: The insulation blanket and spa cover must be in place for the water to reach and maintain the desired temperature.**



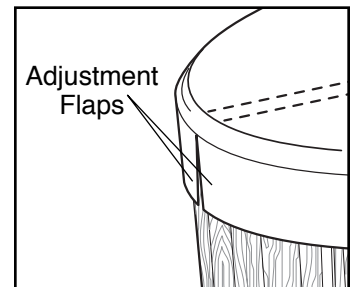
SECURING THE SPA COVER

The spa cover can be secured by snapping the latches on the spa cover into the buckles on the side panels.

The buckles can be locked by inserting the key and turning it clockwise a quarter turn. To unlock the buckles, insert the key and turn it counter-clockwise a quarter turn.



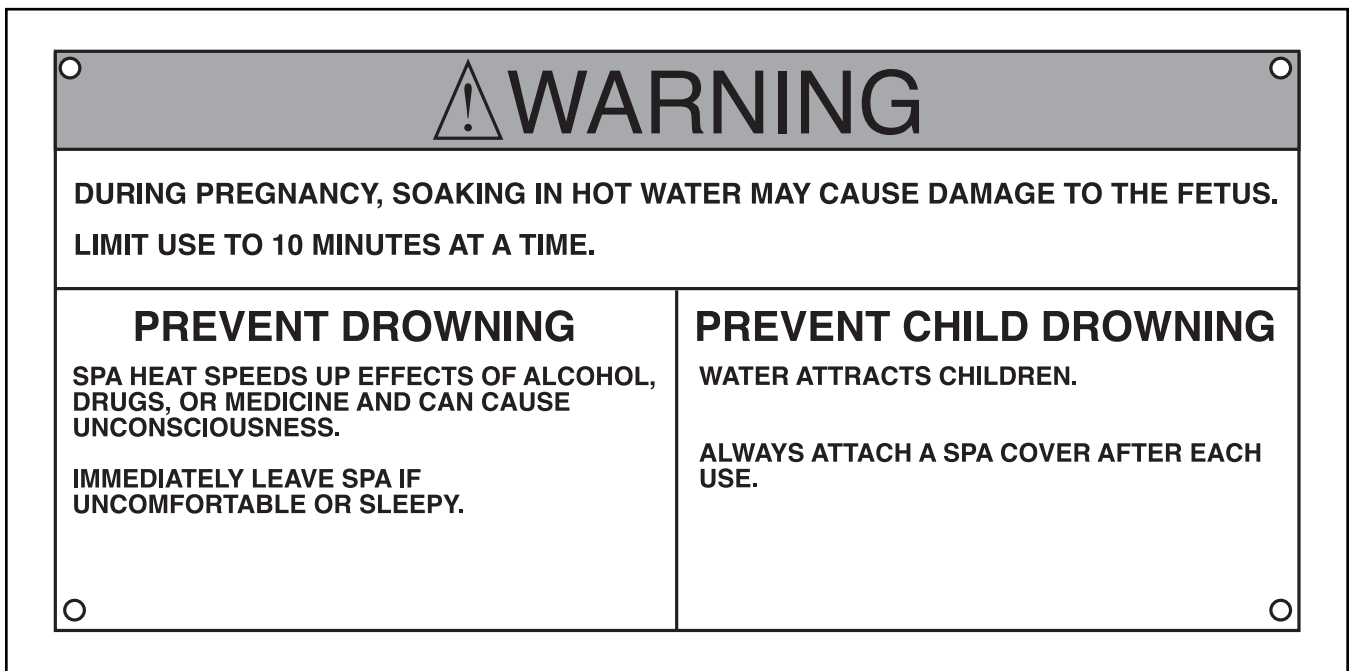
After you have secured the spa cover, it can further be tightened by adjusting the self-attaching flaps on each end of the spa cover.



Always keep the buckles locked when the spa is not in use. Keep the keys in a safe place, out of the reach of children.

POSTING THE WARNING SIGN

The Warning Sign, shown below, must be posted on a wall or fence, where all users of the RESTORATION 2.0 will be able to see it. Whenever the spa is moved, the sign must also be moved and reposted by the spa.



MAINTENANCE

The RESTORATION 2.0 is designed to provide you with years of enjoyment. Please follow the guidelines below to properly maintain your spa.

MAINTENANCE SCHEDULE

DAILY

- Check the water level and refill the spa to the level shown on page 8, step 1.
- Check the pH balance and sanitizer level. Adjust if necessary (see WATER CHEMISTRY on this page).

WEEKLY

- Clean the spa shell at the waterline.
- Check and thoroughly clean the filter (see CHECKING AND CLEANING THE FILTER on this page).
- Replace the filter if needed (see ORDERING REPLACEMENT PARTS on the back cover).

MONTHLY

- Clean the spa cover (see MAINTAINING THE SPA COVER below).
- Soak the filter for two hours in a trisodium phosphate (TSP) solution. Rinse the filter in clean water.
- Replace the filter if needed (see ORDERING REPLACEMENT PARTS on the back cover).

EVERY THREE MONTHS

- Drain the spa and refill with clean water. Sanitize and test the pH of the water.
- Check for any leaks around the pump or joints in the pipes. The seals will wear out over time; detecting leaks early can reduce repair costs.
- Clean the interior of the spa. Do not use solvents or waxes.

EVERY SIX MONTHS

- Treat the exterior with a wood sealant (see MAINTAINING THE SPA EXTERIOR below).

MAINTAINING THE SPA COVER

The spa cover should be cleaned monthly. To clean the spa cover, hang it over a clothes line and spray it with a hose. Allow the cover to dry thoroughly.

CLEANING THE SPA SHELL

The spa shell should be cleaned with a mild soap solution. Do not use solvents. The spa should always be clean and dry before being moved or stored.

MAINTAINING THE SPA EXTERIOR

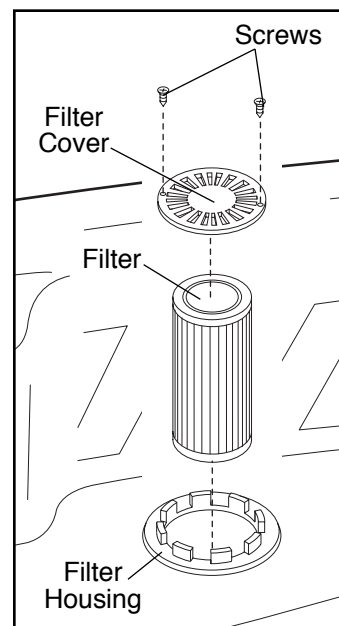
The wood panel exterior has been treated with a sealant at the factory to protect the wood from water

damage. We suggest that you treat the wood finish twice a year with an additional coat of weather sealant. Contact your local spa and pool supplier for advice on which sealants work best in your climate.

CHECKING AND CLEANING THE FILTER

The filter should be checked periodically for build-up of dirt and oil. If the filter needs to be cleaned, follow the steps below:

1. Turn off the power.
2. Remove the two screws from the filter cover. **Be careful not to strip the threads from the holes.** Remove the Filter Cover.
3. Remove the filter from the spa jet unit by lifting the filter from the filter housing.
4. Check the filter for any dirt or debris. If the filter needs to be cleaned, rinse the filter with a hose. If the filter still is dirty, you will need to soak it in a cleaning solution which can be obtained from a pool and spa supply store.
5. Inspect the filter for damage. Replace the filter if there are any signs of damage.
6. Re-insert the cleaned filter into the filter housing.
7. Re-attach the filter cover with the screws. **Do not overtighten the screws.**



SANITIZING THE RESTORATION 2.0

Please refer to your local pool and spa supplier for information concerning which chemicals you should use in your area to sanitize the spa.

The most common sanitizing agent is a solid bromine concentrate. The amount required varies according to several factors, such as user load, temperature, water conditions, and so forth.

Proper water maintenance is a fairly complex process. We recommend that you contact your local pool and spa supplier for information on how you should best accomplish this.

WATER CHEMISTRY

The RESTORATION 2.0 comes with a starter chemical pack for maintaining the water in the spa. (See TESTING AND TREATING THE WATER on page 10.) Additional chemicals can be purchased at a pool and spa supply store.

CAUTION: The chemicals used to maintain the pH balance of the water and to sanitize the water can be dangerous. Always follow these basic guidelines when handling the chemicals:

1. Always read and follow the directions on the label, unless directed otherwise.
2. Never mix different chemicals.
3. Do not exceed the recommended amounts of chemicals—follow the directions on the label closely.
4. Keep all chemicals out of the reach of children and pets.
5. Keep all containers closed tightly when not in use.
6. Never add water to the chemicals—always add the chemicals to the water as directed.
7. Always store chemicals in a cool, dry place.
8. Always keep chemicals away from children and pets.

MAINTAINING THE PROPER PH BALANCE

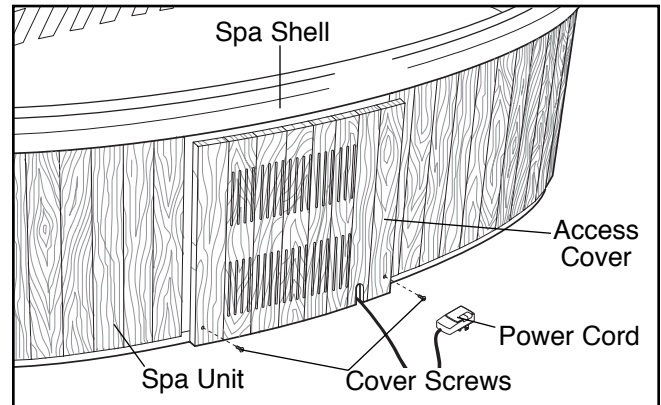
The pH factor is a measure of relative acidity or alkalinity in the water. It is measured on a scale of 1 to 14. Pure water has a value of 7, which is neutral. Any value above 7 is alkaline, and any value below 7 is acidic. You should maintain a slightly alkaline pH level, between 7.2 and 7.8, in the RESTORATION 2.0.

Severe problems can occur when the pH balance is not maintained within this range. If the pH level exceeds 7.8, dissolved minerals can build-up and clog the plumbing in the spa jet unit. If the pH level falls below 7.2, the acid level in the water will begin to corrode the metal parts in the spa jet unit. Also, the sanitation agents in the water will not be effective if the pH level is not properly maintained. Damage caused by improper pH levels is not covered under the warranty.

To maintain the proper pH level, you should test the pH of the water regularly. You will need a pH test kit (not included), which can be obtained at a pool and spa supply store. The pH reading should be between 7.2 and 7.8. If the level is too low, add a pH increaser (usually soda ash). If the level is too high, add a pH reducer (usually sodium bisulfate). Test the water again after five minutes. See the instructions with your pH test kit for additional information about testing and adjusting the pH.

ATTACHING AND REMOVING THE ACCESS COVER

To remove the access cover, remove the two cover screws from the access cover. Slide the access cover down and pull the bottom of access cover away from the Spa Unit. **Be careful not to damage the spa shell as you remove the cover.**



To replace the access cover, insert the top of the cover under the edge of the spa shell. Slide the cover up until the bottom of the cover will clear the trim along the bottom of the spa unit. Slide the cover into place and re-attach the two cover screws.

If you will be storing the spa for any period of time, you should place the power cord inside the spa unit before re-attaching the access cover.

DRAINING THE RESTORATION 2.0

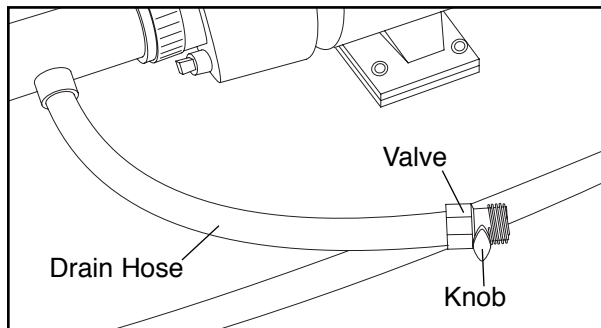
The RESTORATION 2.0 should be drained at least four times a year and refilled with clean water. You may need to drain the spa more often, depending on the user load. This must be done, because after repeated chemical treatment, the water becomes chemically saturated. Once this happens, additional chemical treatment of the water is no longer effective. The spa should also be drained if you will not be using it for long periods of time. The spa must always be drained before major repairs are made.

The RESTORATION 2.0 should always be covered when it is empty. Direct sunlight can cause extensive damage. The surface of the spa shell can reach temperatures as high as 150°F in a matter of minutes if exposed to the sun while it is empty. These high temperatures can cause significant damage, such as blistering of the shell surface and warping of the spa shell. Any damage caused by sun exposure is not covered under warranty.

To drain the RESTORATION 2.0, follow these steps:

1. Set the temperature control on the console to the lowest setting.

2. Unplug the power cord.
3. Remove the access cover from the back of the spa unit.
4. Remove the drainage hose from the clip and attach a garden hose to the valve on the drainage hose.

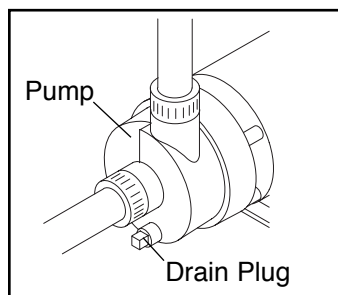


5. Open the valve by turning the knob counterclockwise. The water will begin to drain.
6. When the spa is empty, close the valve and remove the garden hose. Return the drainage hose to the clip and replace the access cover.
7. Refill the spa and treat the water with chemicals (see pages 13 and 14).

DRAINING THE PUMP

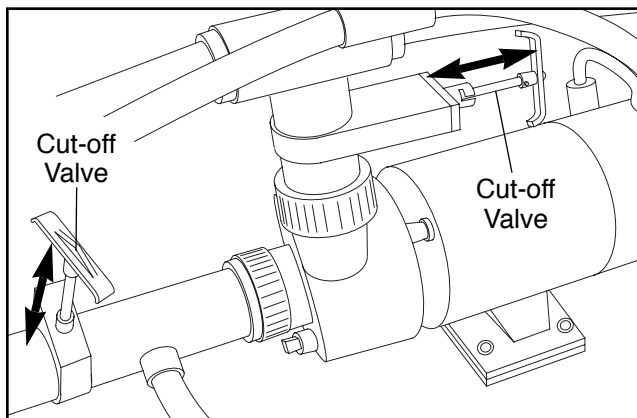
After the RESTORATION 2.0 is drained (see DRAINING THE RESTORATION 2.0 above), the pump in the spa jet unit should also be drained if the RESTORATION 2.0 will be stored for more than thirty days, or if it may be exposed to freezing temperatures.

To drain the pump, remove the access cover from the spa unit (see ATTACHING AND REMOVING THE ACCESS COVER on the next page). Locate the pump inside the spa unit. Remove the drain plug from the pump. Tip the spa jet unit slightly, until all the water has drained from the pump. Replace the drain plug.



OPENING AND CLOSING THE CUT-OFF VALVES

For minor repairs to the pump/motor, the cut-off valves can be closed. To close the valves, remove the access cover from the back of the spa unit. Locate both cut-off valves. Push the handles into the closed position and turn the handles until they lock into place.



If you are planning to work on the pump/motor, you will also need to drain the pump (see page 14).

To open the valves, turn the handles until they are unlocked, and pull the handles out to the open position.

WINTER USE AND CARE

The RESTORATION 2.0 is designed for year-round use. If you decide to store the RESTORATION 2.0 for the winter, store it in a warm, dry location. Follow the steps below to winterize the RESTORATION 2.0.

1. Drain the spa (see DRAINING THE RESTORATION 2.0 on page 14).
2. Remove all remaining water from the spa shell. Dry the spa shell with towels.
3. Set the air control on the console to the lowest setting. Use a wet/dry vacuum to pull any remaining water from the system. To do this, place the vacuum nozzle over each thera-jet, starting with the highest jet and finishing with the lowest one.
4. Set the air control on the console to the highest setting and repeat step 3.
5. Drain the pump (see DRAINING THE PUMP on page 14). Once the water has drained from the pump, place the vacuum nozzle over the drainage hole in the pump and vacuum any additional water from the pump. **Note: For additional protection you can remove the pump/motor from the spa to store it in a climate controlled room.**
6. Clean the spa shell (see page 13).
7. Clean the filter (see page 13).
8. Re-attach the access cover.
9. Re-attach the spa cover.

TROUBLE-SHOOTING

Most problems can be solved by following the simple steps below. Find the symptom that applies, and follow the steps listed. If further assistance is needed, call our Customer Service Department toll-free at 1-800-999-3756, Monday through Friday, 6 a.m. until 6 p.m. Mountain Time.

1. SYMPTOM: THE SPA WILL NOT OPERATE

- a. Check the power cord. The power cord must be plugged into a grounded outlet (see PLUGGING IN THE RESTORATION 2.0 on page 10).
- b. Check to see if the GFCI breaker is tripped, or was not turned on. Reset the GFCI breaker.

2. SYMPTOM: THE CIRCUIT BREAKER OR GFCI BREAKER TRIPS WHILE THE SPA IS OPERATING

- a. Reset the circuit breaker. If the circuit breaker trips again, contact a qualified electrician for service.

3. SYMPTOM: THE PUMP HUMS

- a. The filter may be dirty or damaged. Remove the filter housing from the spa jet unit and clean or replace the filter.
- b. The pump may have a foreign object stuck in the impeller. Contact our customer service department or, if your spa is no longer under warranty, you may also contact a local spa and pool service provider.
- c. The pump may have a loose wire connection. Contact our customer service department or, if your spa is no longer under warranty, you may also contact a local spa and pool service provider.

4. SYMPTOM: THE PUMP HUMS BUT DOES NOT ROTATE

- a. The pump may be jammed. Contact our customer service department or, if your spa is no longer under warranty, you may also contact a local spa and pool service provider.

5. SYMPTOM: THE PUMP IS NOISY WHILE OPERATING

- a. There may be debris in the pump. Contact our customer service department or, if your spa is no longer under warranty, you may also contact a local spa and pool service provider.

- b. The pump may have a bad bearing. Contact our customer service department or, if your spa is no longer under warranty, you may also contact a local spa and pool service provider.

6. SYMPTOM: THE WATER DOES NOT HEAT

- a. The pump in the spa jet unit is the heater. If the pump is operating, the water should heat. Cover the RESTORATION 2.0 with the spa cover. **The spa cover must be tight with the insulation blanket in place.** Set the air control to low. The water will heat at a rate of 2.0°F an hour. If you are using the spa indoors, and the room temperature is maintained at 70°F, it will take approximately 18 to 24 hours for the water to reach the set temperature.

- b. If you are using the RESTORATION 2.0 outdoors, it may take longer for the water to heat. See the chart below for the approximate heating time.

<u>Air Temperature</u>	<u>Heating Time</u>
70°F +	18 to 24 hours
50°F–70°F	24 to 48 hours
30°F–50°F	48 to 72 hours

If the water still has not heated after four days, contact our customer service department or, if your spa is no longer under warranty, you may also contact a local spa and pool service provider. **Note: When the air temperature is below 30°F, the heater will not be able to maintain the maximum set temperature.**

7. SYMPTOM: THE SPA CONTINUES TO RUN AFTER IT HAS BEEN SHUT OFF

- a. To turn the spa jets on, press the ON/OFF control once. To turn the spa jets off, press the control again. After you press it once, the spa jets will shut off for about 30 seconds, and restart. Press the control again. The spa jets will remain off for 20 minutes, at which time they will begin running the filter cycle. At any time after the spa jets has been shut off, the pump will begin cycling the water if the temperature falls below the minimum setting.

8. SYMPTOM: THE WATER PULSATES OR THERE IS MINIMUM WATER FLOW

- a. Adjust the water level. This usually occurs only when the water level is low. Add water until the thera-jets are covered (see step 1 on page 8).

9. SYMPTOM: THE WATER IS NOT BEING CLEANED BY THE FILTER

- a. Check to see if the filter is in place. Clean the filter if it is dirty.
- b. Check the chemical balance of the water. If the pH is incorrect, the sanitizing agents will not function properly.

10. SYMPTOM: THE WATER LEVEL DROPS

- a. Some water loss due to evaporation is normal. If rapid water loss occurs, or if you notice wetness on the floor around the RESTORATION 2.0, then the spa shell may have a leak. Contact your local spa and pool service provider for repairs.
- b. A clamp or seal inside the pump compartment may be loose. Check inside the pump compartment for excess water, and watch the pump unit while it is operating to see if water drips from any of the plumbing. If you can identify the location of the leak inside the spa jet unit, tighten the clamp or replace the damaged seal.

PART LIST—Model No. PFHS70071

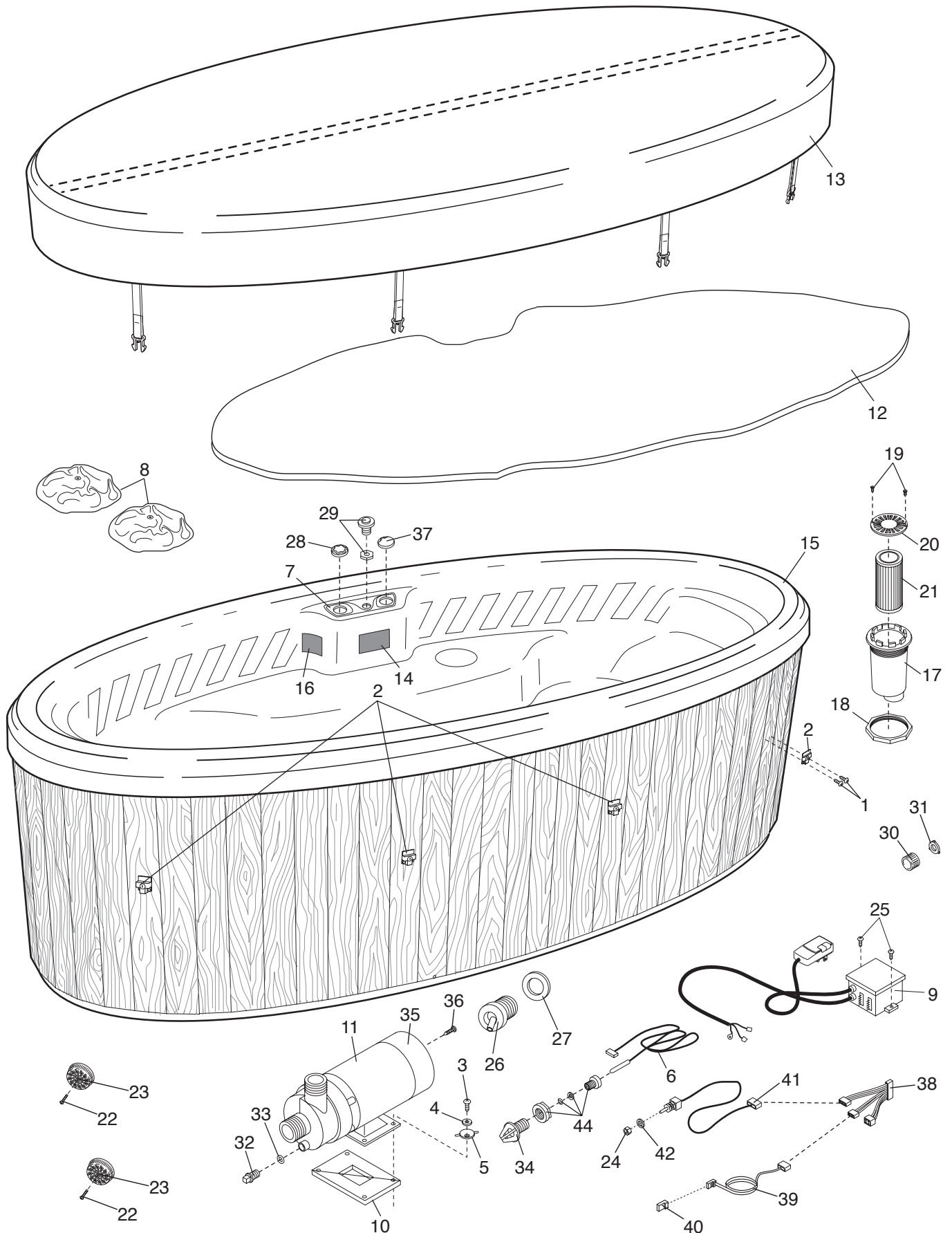
R0199A

Key No.	Qty.	Description	Key No.	Qty.	Description
1	16	Buckle Screw	25	2	Power Supply Mounting Screw
2	8	Buckle	26	3	Multi-direction Thera-jet
3	4	Motor Screw	27	3	Rubber Washer
4	4	Washer	28	1	Air Control Knob
5	4	Rubber Insulator	29	1	On/Off Switch Assembly
6	1	Heat Sensor	30	1	Drain Hose Cap
7	1	Console Overlay	31	1	Hose Washer
8	2	Support Ball	32	1	Drain Plug
9	1	Control Box	33	1	1/2" O-ring
10	1	Rubber Damper	34	1	Temperature Probe Guard
11	1	Pump Motor	35	1	Motor Cap
12	1	Insulation Blanket	36	1	Cap Screw
13	1	Spa Cover	37	1	Thermostat Knob
14	1	Drowning Warning Decal	38	1	Wire Harness
15	1	Spa Unit	39	1	On/Off Wire Harness
16	1	Sun Warning Decal	40	1	On/Off Switch Bracket
17	1	Filter Housing	41	1	Heat Controller
18	1	Housing Ring	42	1	3/8" Star Washer
19	2	Cover Screws	#	1	Suction Fitting
20	1	Filter Cover	#	2	Key
21	1	Filter	#	1	Starter Chemical Pack
22	2	Suction Cover Screw	#	1	User's Manual
23	2	Suction Cover	#	1	Warning Sign
24	1	3/8" Jamnut			

Note: “#” indicates a non-illustrated part. Specifications are subject to change without notice.

EXPLODED DRAWING—Model No. PFHS70071

R0199A



ORDERING REPLACEMENT PARTS

To order replacement parts, simply call our Customer Service Department toll-free at 1-800-999-3756, Monday through Friday, 6 a.m. until 6 p.m. Mountain Time (excluding holidays). To help us assist you, please be prepared to give the following information when calling:

- The MODEL NUMBER of the product (PFHS70071)
- The NAME of the product (PROFORM® RESTORATION 2.0 Massage Spa)
- The SERIAL NUMBER of the product (see the front cover of this manual)
- The KEY NUMBER and DESCRIPTION of the desired part(s) (see the PART LIST on page 18 of this manual).