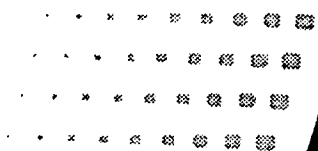


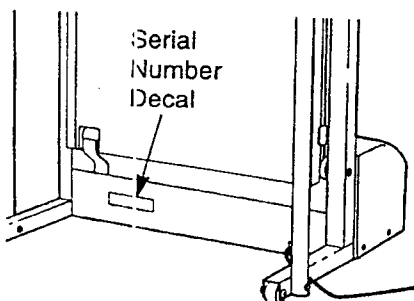
PRO-FORM®



CROSSWALK GTX

Model No. PFTL40070

Serial No. _____



QUESTIONS?

As a manufacturer, we are committed to providing complete customer satisfaction. If you have questions, or if there are missing or damaged parts, we will guarantee complete satisfaction through direct assistance from our factory.

TO AVOID UNNECESSARY DELAYS, PLEASE CALL DIRECT TO OUR TOLL-FREE CUSTOMER HOT LINE. The trained technicians on our Customer Hot Line will provide immediate assistance, free of charge to you.

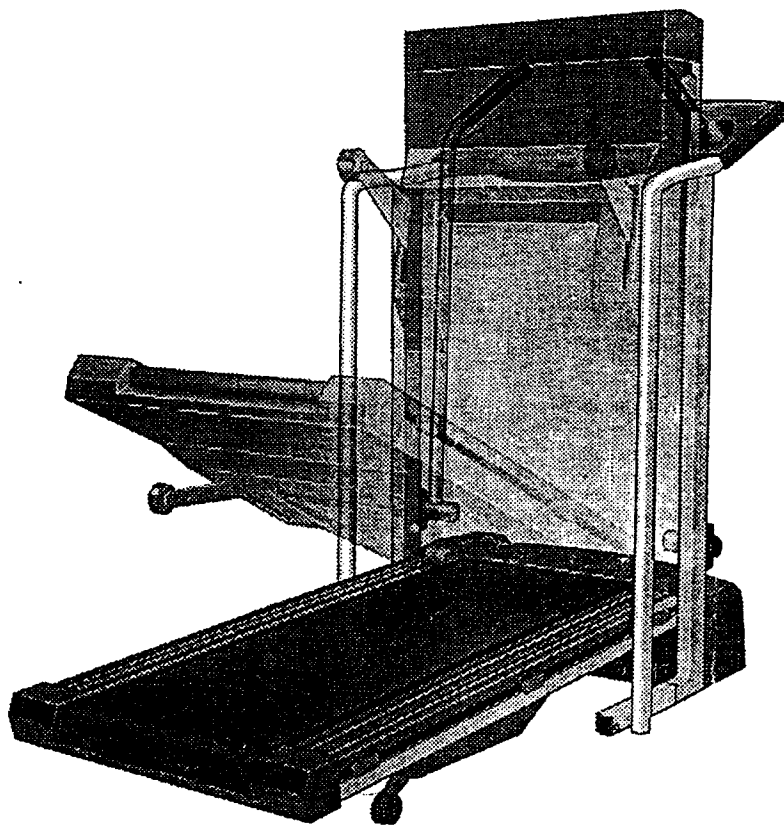
CUSTOMER HOT LINE:

1-800-999-3756

Mon.-Fri., 6 a.m.-6 p.m. MST

▲ CAUTION

Read all precautions and instructions in this manual before using this equipment. Save this manual for future reference.



USER'S MANUAL

TABLE OF CONTENTS

IMPORTANT PRECAUTIONS	2
BEFORE YOU BEGIN	4
ASSEMBLY	5
OPERATION AND ADJUSTMENT	7
HOW TO FOLD AND MOVE THE TREADMILL	10
MAINTENANCE AND TROUBLE-SHOOTING	11
CONDITIONING GUIDELINES	15
ORDERING REPLACEMENT PARTS	Back Cover
LIMITED WARRANTY	Back Cover

Note: An EXPLODED DRAWING and PART LIST are attached to the center of this manual. Please save them for future reference.

IMPORTANT PRECAUTIONS

⚠ WARNING: To reduce the risk of burns, fire, electric shock, or injury to persons, read the following important precautions and information before operating the treadmill.

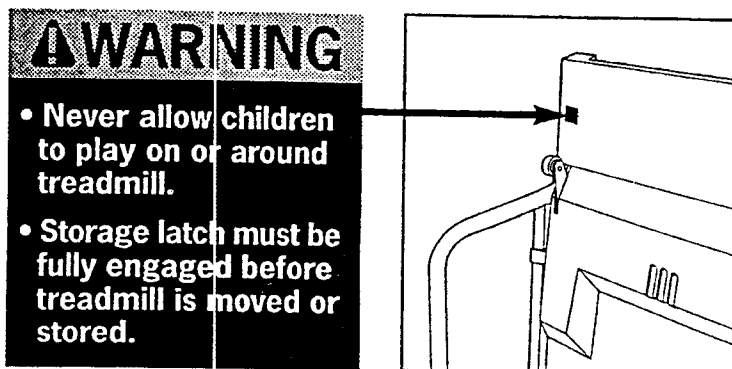
1. It is the responsibility of the owner to ensure that all users of this treadmill are adequately informed of all warnings and precautions.
2. Use the treadmill only as described in this manual.
3. Place the treadmill on a level surface, with at least eight feet of clearance behind it. Do not place the treadmill on any surface that blocks air openings. To protect the floor or carpet from damage, place a mat under the treadmill.
4. Keep the treadmill indoors, away from moisture and dust. Do not put the treadmill in a garage or covered patio, or near water.
5. Do not operate the treadmill where aerosol products are used or where oxygen is being administered.
6. Keep children under the age of 12 and pets away from the treadmill at all times.
7. The treadmill should not be used by persons weighing more than 250 pounds.
8. Never allow more than one person on the treadmill at a time.
9. Wear appropriate exercise clothing when using the treadmill. Do not wear loose clothing that could become caught in the treadmill. Athletic support clothes are recommended for both men and women. *Always wear athletic shoes. Never use the treadmill with bare feet, wearing only stockings, or in sandals.*
10. When connecting the power cord (see page 7), plug the power cord into a surge protector (not included) and plug the surge protector into a grounded circuit capable of carrying 15 or more amps. No other appliance should be on the same circuit. Do not use an extension cord.
11. Use only a UL-listed surge protector, rated at 15 amps, with a 14-gauge cord of five feet or less in length. Do not use an extension cord.
12. Keep the power cord and the surge protector away from heated surfaces.
13. Never move the walking belt while the power is turned off. Do not operate the treadmill if the power cord or plug is damaged, or if the treadmill is not working properly. (See BEFORE YOU BEGIN on page 4 if the treadmill is not working properly.)

14. Never start the treadmill while you are standing on the walking belt. Always hold the handrails while using the treadmill.
15. The treadmill is capable of high speeds. Adjust the speed in small increments to avoid sudden jumps in speed.
16. To reduce the possibility of the treadmill overheating, do not operate the treadmill continuously for longer than 1 hour.
17. Never leave the treadmill unattended while it is running. Always remove the key and move the on/off switch to the "off" position when the treadmill is not in use. (See the drawing on page 4 for the location of the on/off switch.)
18. Do not attempt to raise, lower, or move the treadmill until it is properly assembled. (See ASSEMBLY on page 5, and HOW TO MOVE THE TREADMILL on page 11.) You must be able to safely lift 45 pounds (20 kg) in order to raise, lower, or move the treadmill.
19. When folding or moving the treadmill, make sure that the storage latch is fully closed.
20. Inspect and tighten all parts of the treadmill regularly.
21. Never insert any object into any opening.
22. Always unplug the power cord before performing the maintenance and adjustment procedures described in this manual. Never remove the motor hood unless instructed to do so by an authorized service representative. Servicing other than the procedures in this manual should be performed by an authorized service representative only.
23. This treadmill is intended for in-home use only. Do not use this treadmill in any commercial, rental, or institutional setting.

⚠ WARNING: Before beginning this or any exercise program, consult your physician. This is especially important for persons over the age of 35 or persons with pre-existing health problems. Read all instructions before using. ICON assumes no responsibility for personal injury or property damage sustained by or through the use of this product.

SAVE THESE INSTRUCTIONS

The decal shown below has been placed on your treadmill. If the decal is missing, or if it is not legible, please call our Customer Service Department, toll-free, to order a free replacement decal (see ORDERING REPLACEMENT PARTS on the back cover of this manual). Apply the decal in the location shown.



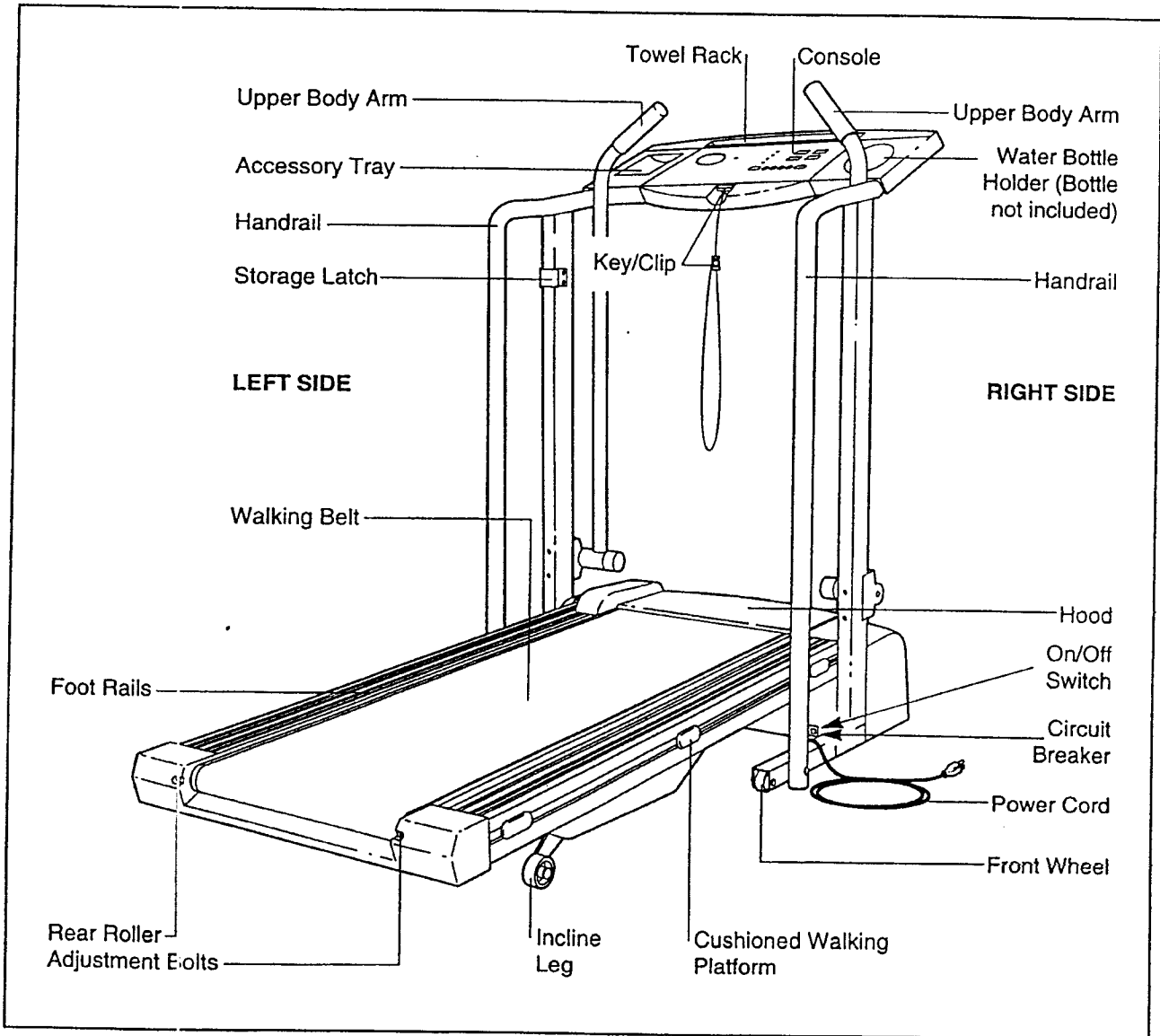
BEFORE YOU BEGIN

Thank you for selecting the PROFORM® CROSSWALK GTX treadmill. The CROSSWALK GTX treadmill combines advanced technology with innovative design to let you enjoy an excellent form of cardiovascular exercise in the convenience and privacy of your home. And when you're not exercising, the unique CROSSWALK GTX can be folded up, requiring less than half the floor space of other treadmills.

For your benefit, read this manual carefully before using the treadmill. If you have additional questions,

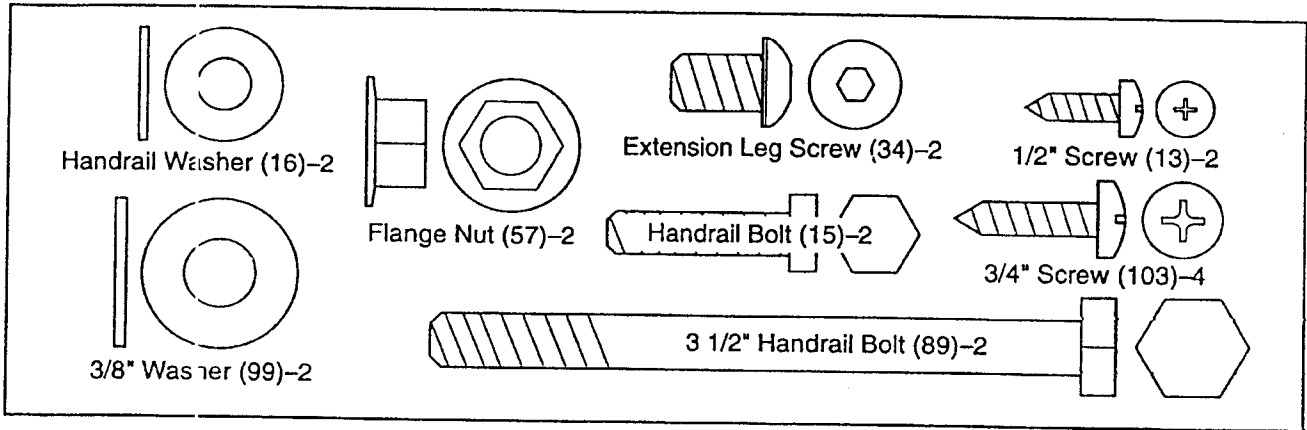
please call our Customer Service Department toll-free at 1-800-999-3756, Monday through Friday, 6 a.m. until 6 p.m. Mountain Time (excluding holidays). To help us assist you, please note the product model number and serial number before calling. The model number of the treadmill is PFTL40070. The serial number can be found on a decal attached to the treadmill (see the front cover of this manual for the location).

Before reading further, please review the drawing below and familiarize yourself with the labeled parts.



ASSEMBLY

Assembly requires two people. Set the treadmill in a cleared area and remove all packing materials. Do not dispose of the packing materials until assembly is completed. Refer to the drawings below to identify the small parts used in assembly. Assembly requires the included allen wrench, adjustable wrench, open end wrench and your own phillips screwdriver, adjustable wrench, open end wrench and scissors.

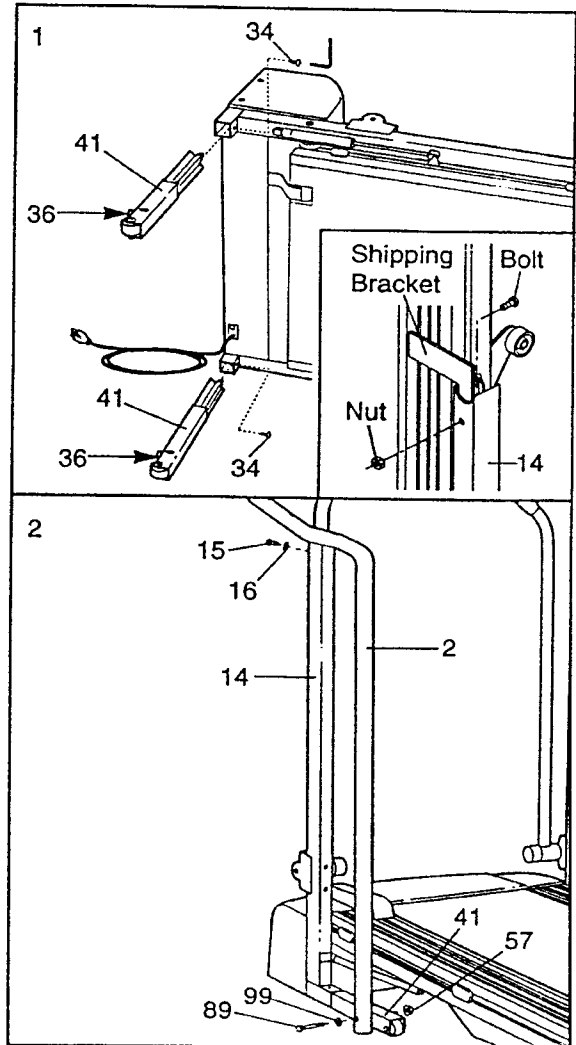


1. With the help of a second person, carefully lay the treadmill on its right side as shown (refer to the drawing on page 4 to identify the right side).

Insert the Extension Legs (41) into the treadmill. Make sure that the Extension Legs are turned so the Base Pads (36) are on the indicated side. Attach each Extension Leg with an Extension Leg Screw (34).

With the help of a second person, carefully raise the treadmill to the upright position so the Extension Legs (41) are resting flat on the floor.

Refer to the inset drawing. Remove the nut, bolt, and shipping bracket from the left Upright (14).



2. Refer to HOW TO LOWER THE TREADMILL FOR USE on page 12. Follow the instructions in step 2 to lower the treadmill.

Position the Left Handrail (2) on the left Upright (14) as shown. Thread a Handrail Bolt (15) with a Handrail Washer (16) into the left Upright and the Left Handrail. Do not tighten the Handrail Bolt yet.

Attach the lower end of the Left Handrail (2) to the Extension Leg (41) with a 3 1/2" Handrail Bolt (89), a 3/8" Washer (99), and a Flange Nut (57). Do not tighten the Handrail Bolt yet.

3. With the help of a second person, hold the Console Base (6) and the Right Handrail (32) near the right Upright (14).

Route the Console Wire Harness through the bracket on the Right Handrail (32) as shown.

Refer to inset drawing A. Push the Strain Relief Clip (88) onto the Console Wire Harness. Insert a 3/4" Screw (103) into the Strain Relief Clip and into the indicated hole in the Right Handrail (32). Make sure that there is no slack Console Wire Harness between the Strain Relief Clip and the Console Base (6). Tighten the Screw into the Console Base (6).

IMPORTANT: The Strain Relief Clip (88) must be attached as instructed.

Refer to inset drawing B. Plug the Console Wire Harness into the Upright Wire Harness. The small latch on the Upright Wire Harness should snap onto the Console Wire Harness. If the Wire Harnesses do not fit together easily, turn them; do not force the Wire Harnesses together.

Feed all excess Wire Harness down into the right Upright (14); if necessary, bend the Wire Harness as shown. Insert the bracket into the right Upright.

4. Attach the Console Base (6) to the Left and Right Handrails (2, 32) with three 3/4" Screws (103).

5. Thread a Handrail Bolt (15) with a Handrail Washer (16) into the right Upright (14) and the Right Handrail (32). Do not tighten the Handrail Bolt yet.

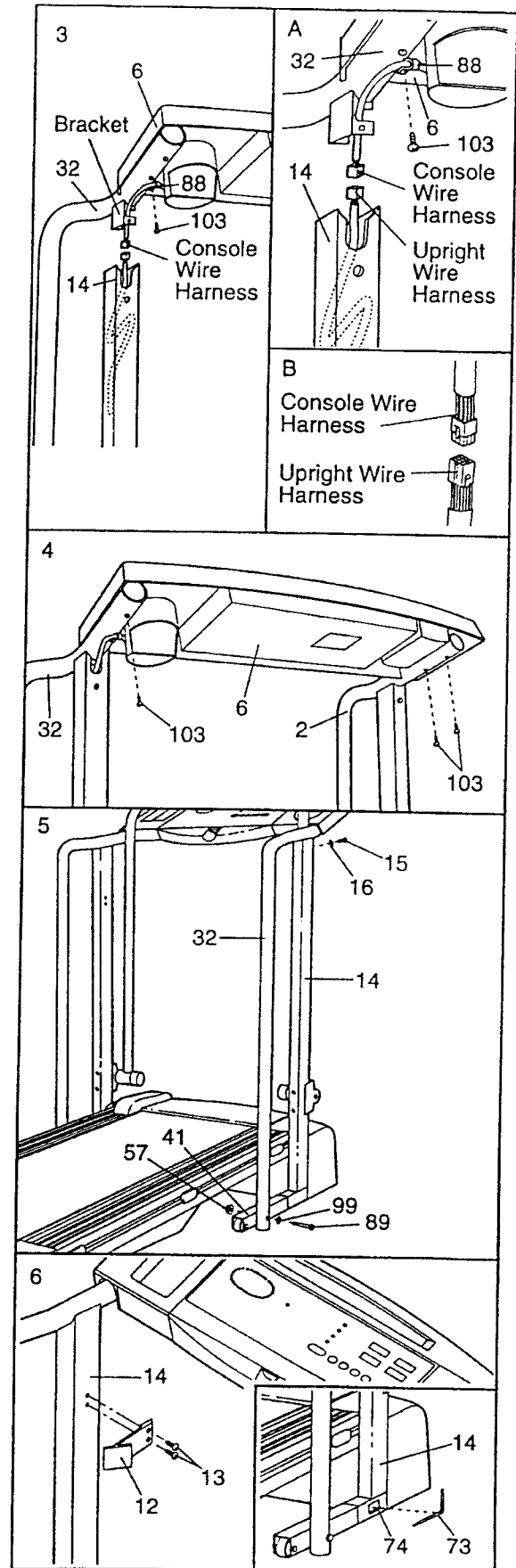
Attach the lower end of the Right Handrail (32) to the Extension Leg (41) with a 3 1/2" Handrail Bolt (89), a 3/8" Washer (99), and a Flange Nut (57).

Tighten all parts used in this step and in step 2.

6. Attach the Storage Latch (12) to the left Upright (14) with two 1/2" Screws (13). Be careful not to overtighten the Screws.

Refer to the inset drawing. Remove the backing from the Adhesive Clip (74). Press the Adhesive Clip onto the base of the Uprights (14) in the indicated location. Press the Allen Wrench (73) into the Adhesive Clip.

7. Make sure that all parts are tightened before you use the treadmill. To protect the floor or carpet, place a mat under the treadmill.



OPERATION AND ADJUSTMENT

THE PERFORMANT LUBE™ WALKING BELT

Your treadmill features a walking belt coated with PERFORMANT LUBE™, a high-performance lubricant. **IMPORTANT:** Never apply silicone spray or other substances to the walking belt or the walking platform. They will deteriorate the walking belt and cause excessive wear.

HOW TO PLUG IN THE POWER CORD

⚠ DANGER: Improper connection of the equipment-grounding conductor can result in an increased risk of electric shock. Check with a qualified electrician or serviceman if you are in doubt as to whether the product is properly grounded. Do not modify the plug provided with the product—if it will not fit the outlet, have a proper outlet installed by a qualified electrician.

Your treadmill, like any other type of sophisticated electronic equipment, can be seriously damaged by sudden voltage changes in your home's power. Voltage surges, spikes, and noise interference can result from weather conditions or from other appliances being turned on or off.

To decrease the possibility of your treadmill being damaged, always use a surge protector (not included) with your treadmill.

Surge protectors are sold at most hardware stores and department stores. Use only a UL-listed surge protector, rated at 15 amps, with a 14-gauge cord of five feet or less in length.

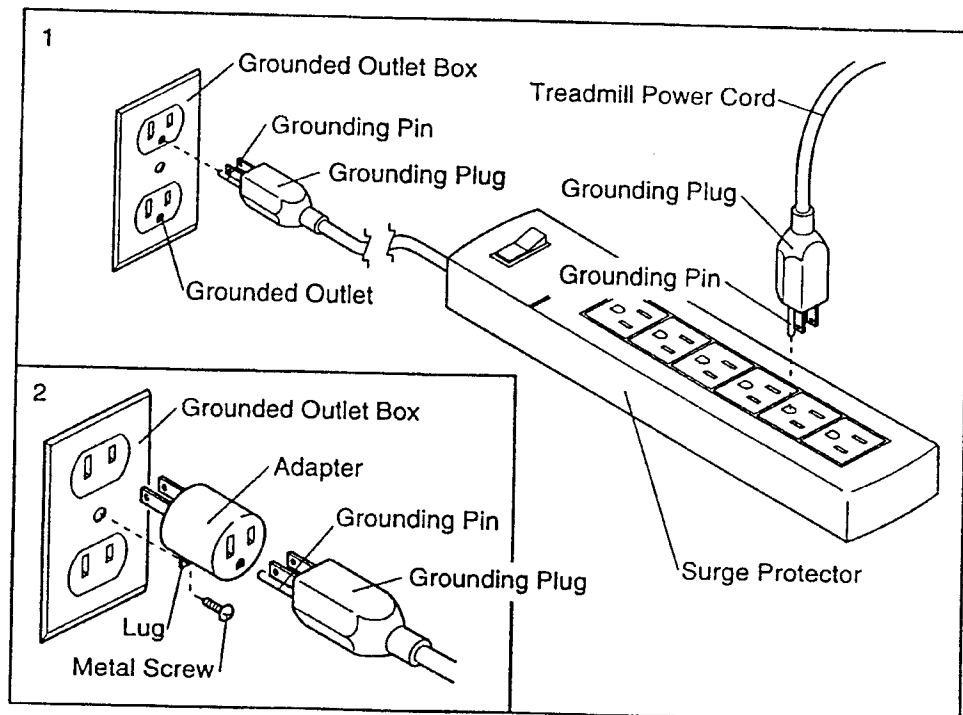
This product must be grounded. If it should malfunction or break down, grounding provides a path of least resistance for electric current to reduce the risk of

electric shock. This product is equipped with a cord having an equipment-grounding conductor and a grounding plug. **Plug the power cord into a surge protector, and plug the surge protector into an appropriate outlet that is properly installed and grounded in accordance with all local codes and ordinances.**

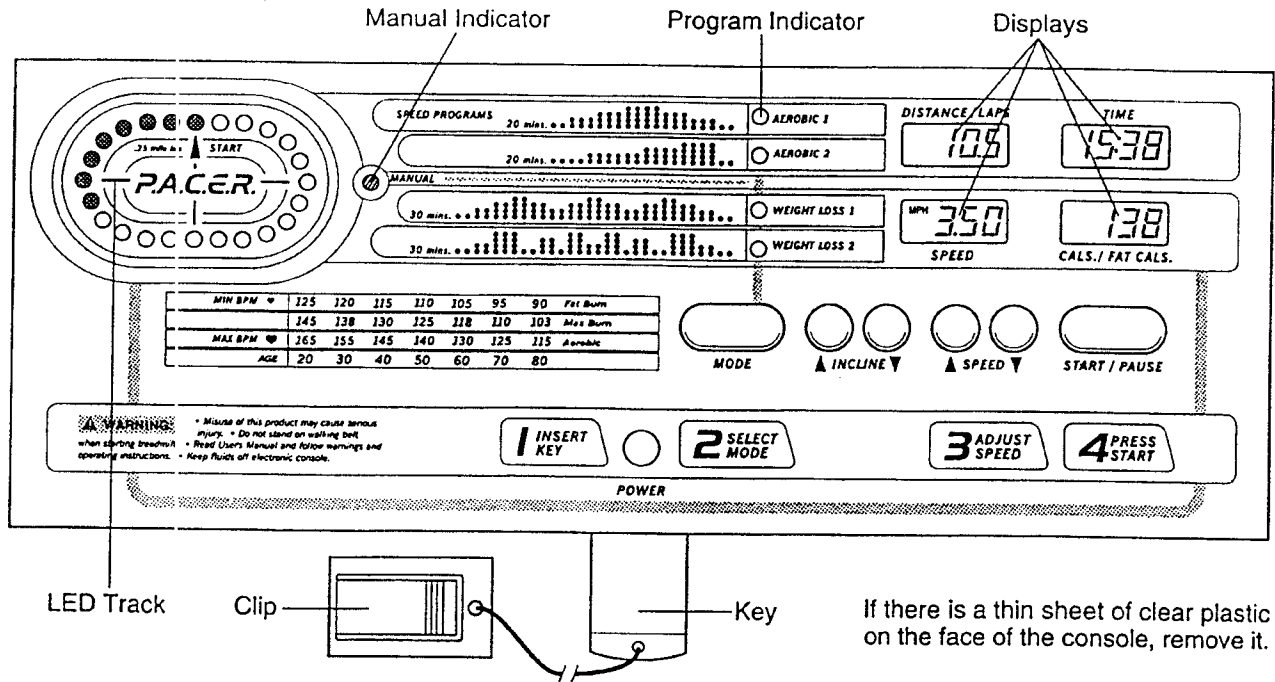
This product is for use on a nominal 120-volt circuit, and has a grounding plug that looks like the plug illustrated in drawing 1 below. A temporary adapter that looks like the adapter illustrated in drawing 2 may be used to connect the surge protector to a 2-pole receptacle as shown in drawing 2 if a properly grounded outlet is not available.

The temporary adapter should be used only until a properly grounded outlet (drawing 1) can be installed by a qualified electrician.

The green-colored rigid ear, lug, or the like extending from the adapter must be connected to a permanent ground such as a properly grounded outlet box cover. Whenever the adapter is used it must be held in place by a metal screw. **Some 2-pole receptacle outlet box covers are not grounded. Contact a qualified electrician to determine if the outlet box cover is grounded before using an adapter.**



CONSOLE DIAGRAM



If there is a thin sheet of clear plastic on the face of the console, remove it.

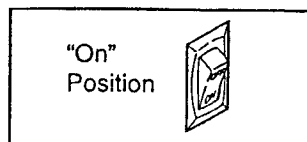
CAUTION: Before operating the console, read the following precautions.

- Do not stand on the walking belt when turning on the power.
- Always wear the clip (see the drawing above) while operating the treadmill.
- Adjust the speed in small increments.
- To reduce the possibility of electric shock, keep the console dry. Avoid spilling liquids on the console, and use only a sealed water bottle.

STEP-BY-STEP CONSOLE OPERATION

The treadmill console features a manual mode and four workout programs. When the manual mode is selected, the speed and incline of the treadmill can be changed with a touch of a button. As you exercise, the LED track and the four displays will provide continuous exercise feedback. When one of the workout programs is selected, the console will automatically control the speed as it guides you through an effective workout.

Before operating the console, make sure that the on/off switch near the power cord is in the "on" position.

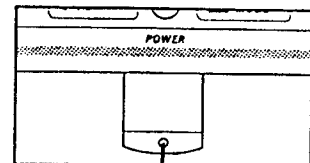


If the key is in the console, remove it. Make sure that the power cord is properly plugged in (see HOW TO PLUG IN THE POWER CORD on page 7).

Next, step onto the foot rails of the treadmill. Find the clip attached to the key (see the drawing above), and slide the clip onto the waistband of your clothing. Follow the steps below to operate the console.

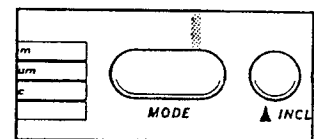
1 Insert the key fully into the console.

The green manual mode indicator and the four displays will light. One indicator will begin to flash in the LED track.



2 Press the MODE button to select the desired mode.

When the key is inserted, the manual mode will be selected and the MANUAL indicator will be lit. If a workout program has been selected, press the MODE button repeatedly to select the manual mode.



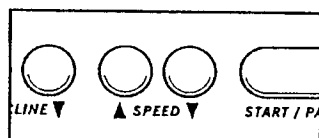
If you want to select one of the four workout programs, press the MODE button. The upper program indicator will light. To select one of the other three programs, press the MODE button repeatedly.

Note: There are two twenty-minute programs and two thirty-minute programs. The graphs in the center of the console show how the speed of the walking belt will change during the programs. During the AEROBIC 1 program, for example, the speed will gradually increase during the first ten minutes, and then gradually decrease during the last ten minutes. Each program begins with a two-minute warm-up period, and ends with a two-minute cool-down period.

3 Set the desired speed setting.

To start the walking belt at default speed settings, go to step 4. To adjust the speed setting before you start the walking belt, follow the instructions below.

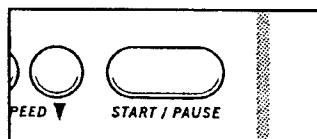
If the manual mode is selected: Press the SPEED Δ button repeatedly to select the desired speed setting. Note: The TIME display will flash to indicate that the console has been paused. The walking belt will not begin to move until the START/PAUSE button is pressed (see step 4). **IMPORTANT: Select a low speed setting when starting the walking belt.**



If a workout program is selected: Press the SPEED Δ or ∇ button. The SPEED display will begin to flash and a number will appear in the display. This number is the *maximum speed* that the walking belt will reach during the selected program. If desired, press the SPEED Δ button repeatedly to change the maximum speed setting. If the maximum speed setting is increased, the difficulty level of the entire program will increase. If the maximum speed setting is decreased, the difficulty level of the entire program will decrease. Note: The TIME display will flash to indicate that the console has been paused. The walking belt will not begin to move until the START/PAUSE button is pressed (see step 4).

4 Press the START/PAUSE button.

After the START/PAUSE button is pressed, the walking belt will begin to move. Hold the handrails and carefully begin walking.



If the console is in the manual mode: As you exercise, change the speed of the walking belt as desired by pressing the SPEED buttons.

To stop the walking belt momentarily, press the START/PAUSE button once. The SPEED display

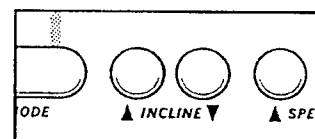
will begin to flash. To restart the walking belt, press the START/PAUSE button again. To stop the walking belt and reset the displays, hold down the START/PAUSE button for two seconds.

If a preset program is selected: The speed of the walking belt will change automatically during the program as shown by the graphs in the center of the console. The time remaining in the program will be shown in the TIME display. When the program is completed, the walking belt will slow to a stop. Note: If the program is too difficult or too easy, the difficulty level of the program can be adjusted. Press the SPEED Δ or ∇ button. The SPEED display will flash and a number will appear in the display. This number is the *maximum speed* that the walking belt will reach during the program. Press the SPEED Δ or ∇ button repeatedly to change the maximum speed setting. When the maximum speed setting is increased, the difficulty level of the entire program will increase. When the maximum speed setting is decreased, the difficulty level of the entire program will decrease.

To stop the program momentarily, press the START/PAUSE button once. The SPEED display will begin to flash. To restart the program, press the START/PAUSE button again. To stop the program and reset the displays, hold down the START/PAUSE button for two seconds. Note: Pressing the MODE button will also stop the program, reset the displays, and select a different mode.

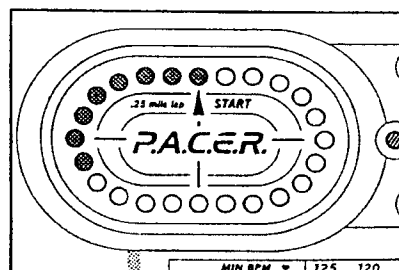
5 Change the incline of the treadmill, if desired.

To change the incline, hold down one of the incline buttons until the desired incline is reached.



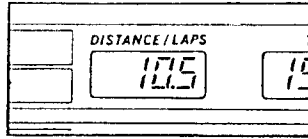
6 Follow your progress with the LED track and the four displays.

The LED Track—
The LED track on the console represents a distance of 1/4 mile. As you exercise,

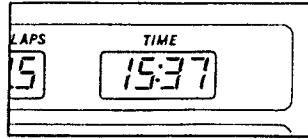


the indicators around the track will light one at a time until you have completed 1/4 mile. The indicators will then darken and another lap will begin.

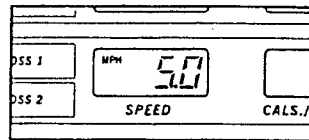
- **DISTANCE/LAPS display**—This display shows the total distance that you have walked and the number of laps you have completed (one lap equals 1/4 mile). The display will alternate between one number and the other every seven seconds. An "L" will appear in the display when the number of laps is shown.



- **TIME display**—When the manual mode is selected, the elapsed time will be shown. When one of the preset programs is selected, the time remaining in the program will be displayed.

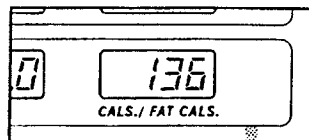


- **SPEED display**—This display shows the speed of the walking belt, in miles per hour or kilometers per hour. An MPH or a KPH will appear in the display to show which unit of measurement is selected.



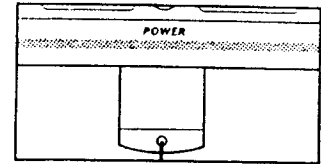
To change the unit of measurement, hold down the START/PAUSE button while inserting the key into the console. An "E" for "English" (miles per hour) or an "M" for "Metric" (kilometers per hour) will appear in the DISTANCE/LAPS display. Press the MODE button twice to change the unit of measurement. Remove and then reinsert the key.

- **CALS./FAT CALS. display**—This display shows the approximate numbers of *calories* and *fat calories* you have burned (see FAT BURNING on page 15 for an explanation of fat calories). Every seven seconds, the display will change from one number to the other. An "F" will appear in the display when the number of fat calories is shown.



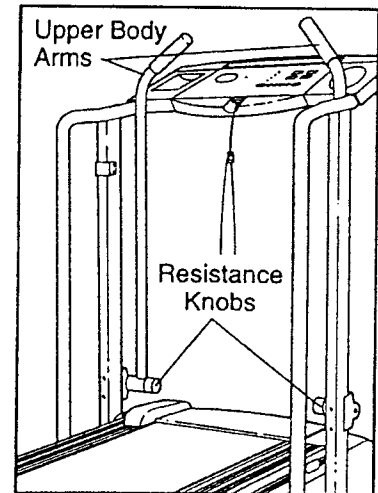
7 When you are finished, remove the key.

Step onto the foot rails and remove the key from the console. Store the key in a secure place. In addition, move the on/off switch to the "off" position. (See the drawing near the bottom of page 8.)



HOW TO USE THE UPPER BODY ARMS

As you exercise on the treadmill, you can hold either the handrails or the upper body arms. The upper body arms are designed to exercise your arms, shoulders, and back for a total body workout. Hold one upper body arm with each hand, and move them forward and back as you walk on the treadmill.



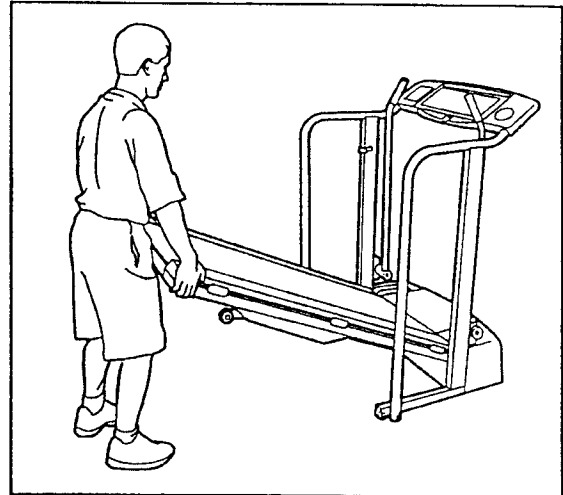
To vary the intensity of your upper body exercise, the resistance of the upper body arms can be adjusted. To increase the resistance, turn the resistance knobs clockwise; to decrease the resistance, turn the knobs counterclockwise.

HOW TO FOLD AND MOVE THE TREADMILL

HOW TO FOLD THE TREADMILL FOR STORAGE

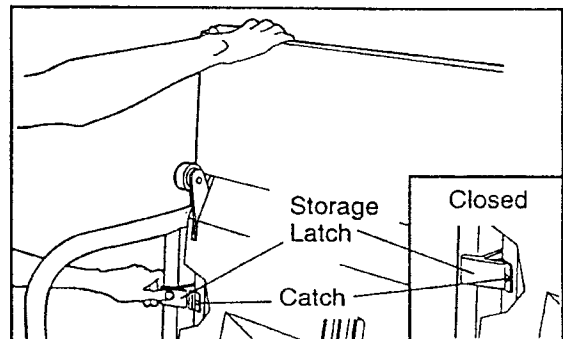
Unplug the power cord. **Caution:** You must be able to safely lift 45 pounds (20 kg) in order to raise, lower, or move the treadmill.

1. Hold the treadmill with your hands in the locations shown at the right. **Caution:** To decrease the possibility of injury, bend your legs and keep your back straight. As you raise the treadmill, make sure to lift with your legs rather than your back. Raise the treadmill about halfway to the vertical position.



2. Move your right hand to the position shown and hold the treadmill firmly. Raise the treadmill until the storage latch closes over the catch. **Make sure that the storage latch is fully engaged over the catch.**

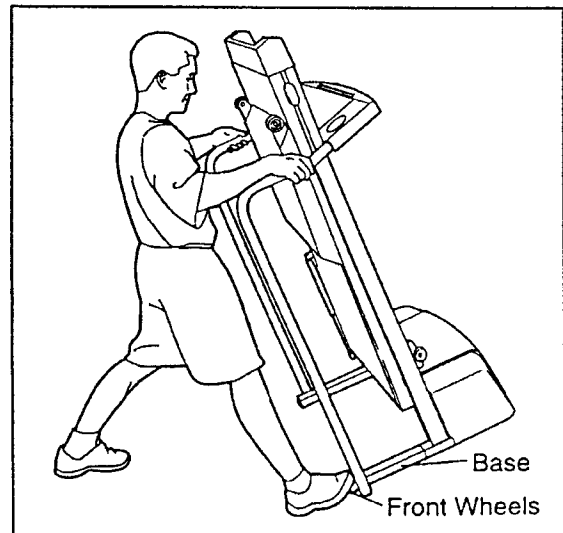
To protect the floor or carpet from damage, place a mat under the treadmill. Keep the treadmill out of direct sunlight. Do not leave the treadmill in the storage position in temperatures above 85° Fahrenheit.



HOW TO MOVE THE TREADMILL

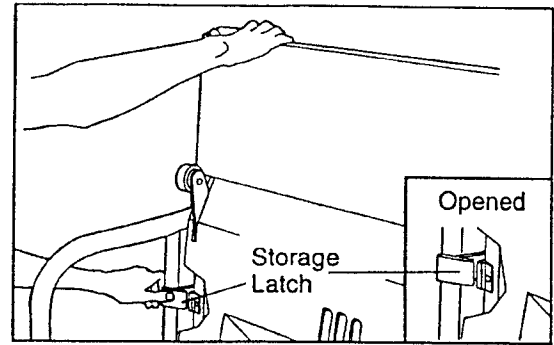
Before moving the treadmill, convert the treadmill to the storage position as described above. **Make sure that the storage latch is closed fully over the catch.**

1. Hold the handrails and place one foot on the base as shown.
2. Tilt the treadmill back until it rolls freely on the front wheels. Carefully move the treadmill to the desired location. **Never move the treadmill without tipping it back, or the base pads may come off. To reduce the risk of injury, use extreme caution while moving the treadmill. Do not attempt to move the treadmill over an uneven surface.**
3. Place one foot on the base, and carefully lower the treadmill until it is resting in the storage position.

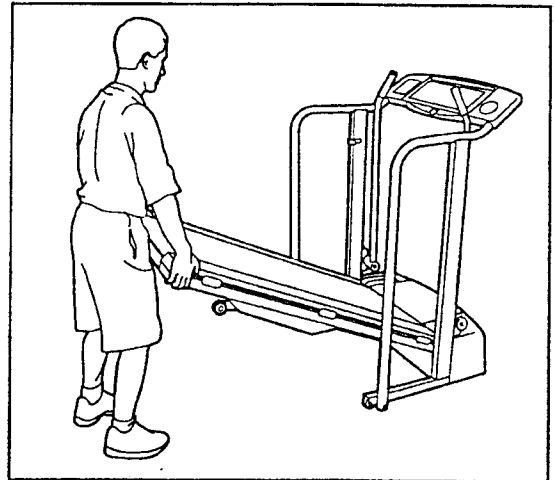


HOW TO LOWER THE TREADMILL FOR USE

1. Hold the upper end of the treadmill with your right hand as shown. Using your left thumb, press the storage latch and hold it. Pivot the treadmill until the frame and foot rail are past the storage latch.



2. Hold the treadmill firmly with both hands, and lower the treadmill to the floor. **Caution: To decrease the possibility of Injury, bend your legs and keep your back straight.**



MAINTENANCE AND TROUBLE-SHOOTING

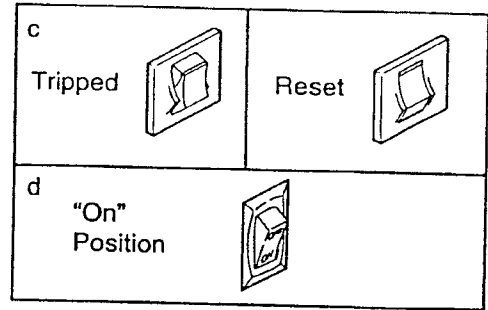
Most treadmill problems can be solved by following the steps below. Find the symptom that applies, and follow the steps listed. If further assistance is needed, please call our Customer Service Department toll-free at 1-800-999-3756, Monday through Friday, 6 a.m. until 6 p.m. Mountain Time (excluding holidays).

PROBLEM: The power does not turn on

SOLUTION: a. Make sure that the power cord is plugged into a surge protector, and that the surge protector is plugged into a properly grounded outlet. (See HOW TO PLUG IN THE POWER CORD on page 7.) Use only a UL-listed surge protector, rated at 15 amps, with a 14-gauge cord of five feet or less in length.

b. After the power cord has been plugged in, make sure that the key is fully inserted into the console. (See step 1 on page 8.)

- c. Check the circuit breaker located on the treadmill near the power cord. If the switch protrudes as shown, the circuit breaker has tripped. To reset the circuit breaker, wait for five minutes and then press the switch back in.
- d. Check the on/off switch located at the front of the treadmill near the power cord. The switch must be in the "on" position.



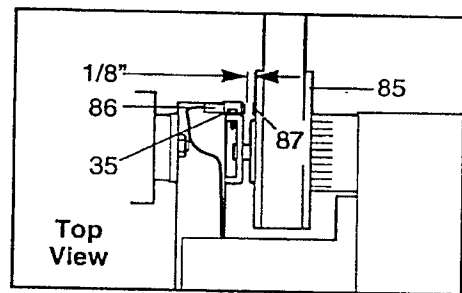
PROBLEM: The power turns off during use

SOLUTION: a. Check the circuit breaker located on the treadmill frame near the power cord (see 1. c. above). If the circuit breaker has tripped, wait for five minutes and then press the switch back in.

- b. Make sure that the power cord is plugged in.
- c. Remove the key from the console. Reinsert the key fully into the console. (See step 1 on page 8.)
- d. Make sure that the on/off switch is in the "on" position. (See 1. d. above.)
- e. If the treadmill still will not run, please call our Customer Service Department, toll-free.

PROBLEM: The displays of the console do not function properly

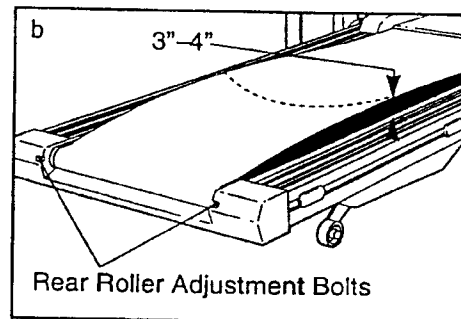
SOLUTION: a. Remove the six screws from the hood. Carefully remove the hood. Locate the Reed Switch (86) and the Magnet (87) on the left side of the Pulley (85). Turn the Pulley until the Magnet is aligned with the Reed Switch. **Make sure that the gap between the Magnet and the Reed Switch is about 1/8".** If necessary, loosen the Screw (35) and move the Reed Switch slightly. Retighten the Screw. Re-attach the hood, and run the treadmill for a few minutes to check for a correct speed reading.



PROBLEM: The walking belt slows when walked on

SOLUTION: a. Use only a UL-listed surge protector, rated at 15 amps, with a 14-gauge cord of five feet or less in length.

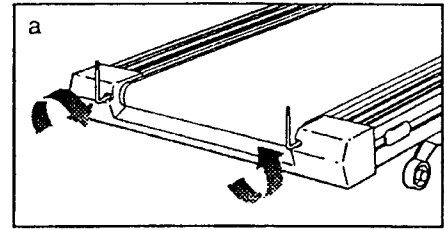
b. If the walking belt is overtightened, treadmill performance may decrease and the walking belt may be permanently damaged. Remove the key and **UN-PLUG THE POWER CORD**. Using the allen wrench, turn both rear roller adjustment bolts counterclockwise, 1/4 of a turn. When the walking belt is properly tightened, you should be able to lift each side of the walking belt 3 to 4 inches off the walking platform. Be careful to keep the walking belt centered. Plug in the power cord, insert the key and run the treadmill for a few minutes. Repeat until the walking belt is properly tightened.



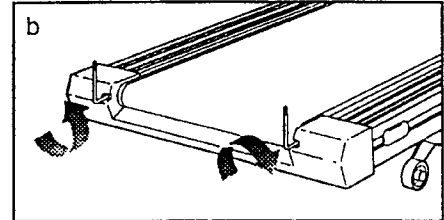
c. If the walking belt still slows when walked on, please call our Customer Service Department, toll-free.

PROBLEM: The walking belt is off-center when walked on

SOLUTION: a. If the walking belt has shifted to the left, first remove the key and **UNPLUG THE POWER CORD**. Using the allen wrench, turn the left rear roller adjustment bolt clockwise, and the right bolt counterclockwise, 1/4 of a turn each. Be careful not to overtighten the walking belt. Plug in the power cord, insert the key and run the treadmill for a few minutes. Repeat until the walking belt is centered.

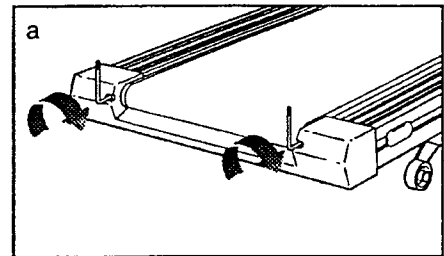


b. If the walking belt has shifted to the right, first remove the key and **UNPLUG THE POWER CORD**. Using the allen wrench, turn the left rear roller adjustment bolt counterclockwise, and the right bolt clockwise, 1/4 of a turn each. Be careful not to overtighten the walking belt. Plug in the power cord, insert the key and run the treadmill for a few minutes. Repeat until the walking belt is centered.



PROBLEM: The walking belt slips when walked on

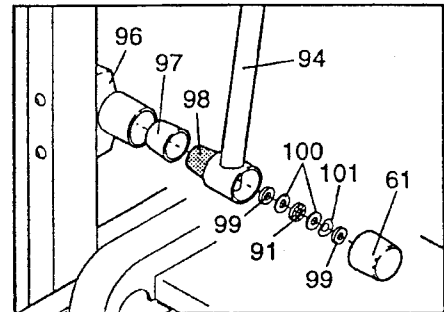
SOLUTION: a. If the walking belt slips when walked on, first remove the key and **UNPLUG THE POWER CORD**. Using the allen wrench, turn both rear roller adjustment bolts clockwise, 1/4 of a turn. When the walking belt is correctly tightened, you should be able to lift each side of the walking belt 3 to 4 inches off the walking platform. Be careful to keep the walking belt centered. Plug in the power cord, insert the key and carefully walk on the treadmill for a few minutes. Repeat until the walking belt is properly tightened.



PROBLEM: One of the upper body arms squeaks during use

SOLUTION: a. Correcting this problem requires a small amount of white marine grease, available at most hardware stores.

Turn the Resistance Knob (61) counterclockwise until it can be removed. Remove the Resistance Cone (98) and the Upper Body Arm (94), along with the 3/8" Washers (99), Spring Washer (101), Thrust Washers (100), and Thrust Bearing (91). (Note: If the Resistance Sleeve [97] comes out of the Resistance Bracket [96], press it back in.) Apply a **thin layer** of white marine grease to the outer surface of the Resistance Cone (98). Reattach all parts in the order shown at the right.



CONDITIONING GUIDELINES

⚠ WARNING: Before beginning this or any exercise program, consult your physician. This is especially important for individuals over the age of 35 or individuals with pre-existing health problems.

The following guidelines will help you to plan your exercise program. Remember—these are general guidelines only. For more detailed exercise information, obtain a reputable book or consult your physician.

EXERCISE INTENSITY

Whether your goal is to burn fat or to strengthen your cardiovascular system, the key to achieving the desired results is to exercise with the proper intensity. The proper intensity level can be found by using your heart rate as a guide. The chart below shows recommended heart rates for fat burning and aerobic exercise.

MIN BPM ♥	125	120	115	110	105	95	90	<i>Fat Burn</i>
	145	138	130	125	118	110	103	<i>Max Burn</i>
MAX BPM ♥	165	155	145	140	130	125	115	<i>Aerobic</i>
AGE	20	30	40	50	60	70	80	

To find the proper heart rate for you, first find your age at the bottom of the chart (ages are rounded off to the nearest ten years). Next, find the three numbers above your age. The three numbers are your “training zone.” The lower two numbers are recommended heart rates for fat burning; the higher number is the recommended heart rate for aerobic exercise.

Fat Burning

To burn fat effectively, you must exercise at a relatively low intensity level for a sustained period of time. During the first few minutes of exercise, your body uses easily accessible *carbohydrate calories* for energy. Only after the first few minutes does your body begin to use stored *fat calories* for energy. If your goal is to burn fat, adjust the speed and incline of the treadmill until your heart rate is near one of the lower two numbers in your training zone.

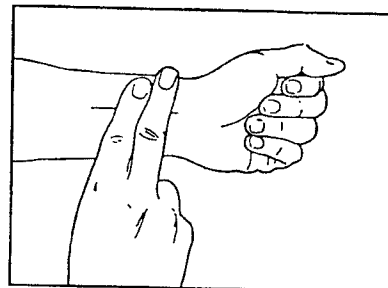
Aerobic Exercise

If your goal is to strengthen your cardiovascular system, your exercise must be “aerobic.” Aerobic exercise

is activity that requires large amounts of oxygen for prolonged periods of time. This increases the demand on the heart to pump blood to the muscles, and on the lungs to oxygenate the blood. For aerobic exercise, adjust the speed and incline of the treadmill until your heart rate is near the higher number in your training zone.

HOW TO MEASURE YOUR HEART RATE

To measure your heart rate, stop exercising and place two fingers on your wrist as shown.



Take a six-second heart-beat count, and multiply the result by 10 to find your heart rate. For example, if your six-second heart-beat count is 14, your heart rate is 140 beats per minute. (A six-second count is used because your heart rate will drop rapidly when you stop exercising.) Adjust the intensity of your exercise until your heart rate is at the proper level.

WORKOUT GUIDELINES

Each workout should include the following three parts:

A Warm-up—Start each workout with 5 to 10 minutes of stretching and light exercise. A proper warm-up increases your body temperature, heart rate, and circulation in preparation for more strenuous exercise.

Training Zone Exercise—After warming up, increase the intensity of your exercise until your heart rate is in your training zone for 20 to 60 minutes. (During the first few weeks of your exercise program, do not keep your heart rate in your training zone for longer than 20 minutes.)

A Cool-down—Finish each workout with 5 to 10 minutes of stretching to cool down. This will increase the flexibility of your muscles and will help to prevent post-exercise problems.

Exercise Frequency

To maintain or improve your condition, complete three workouts each week, with at least one day of rest between workouts. After a few months of regular exercise, you may complete up to five workouts each week if desired.

ORDERING REPLACEMENT PARTS

To order replacement parts, call our Customer Service Department toll-free at 1-800-999-3756, Monday through Friday, 6 a.m. until 6 p.m. Mountain Time (excluding holidays). When ordering parts, please be prepared to give the following information:

- The MODEL NUMBER OF THE PRODUCT (PFTL40070).
- The NAME OF THE PRODUCT (PROFORM® CROSSWALK GTX treadmill).
- The SERIAL NUMBER OF THE PRODUCT (see the front cover of this manual).
- The KEY NUMBER OF THE PART(S) (see the EXPLODED DRAWING and PART LIST attached to the center of this manual).
- The DESCRIPTION OF THE PART(S) (see the EXPLODED DRAWING and PART LIST attached to the center of this manual).

If possible, place the treadmill near your telephone for easy reference when calling.

LIMITED WARRANTY

ICON Health & Fitness, Inc. (ICON), warrants this product to be free from defects in workmanship and material, under normal use and service conditions, for a period of ninety (90) days from the date of purchase. This warranty extends only to the original purchaser. ICON's obligation under this warranty is limited to replacing or repairing, at ICON's option, the product at one of its authorized service centers. All products for which warranty claim is made must be received by ICON at one of its authorized service centers with all freight and other transportation charges prepaid, accompanied by sufficient proof of purchase. All returns must be pre-authorized by ICON. This warranty does not extend to any product or damage to a product caused by or attributable to freight damage, abuse, misuse, improper or abnormal usage or repairs not provided by an ICON authorized service center, to products used for commercial or rental purposes, or to products used as store display models. No other warranty beyond that specifically set forth above is authorized by ICON.

ICON is not responsible or liable for indirect, special or consequential damages arising out of or in connection with the use or performance of the product or damages with respect to any economic loss, loss of property, loss of revenues or profits, loss of enjoyment or use, costs of removal, installation or other consequential damages of whatsoever nature. Some states do not allow the exclusion or limitation of incidental or consequential damages. Accordingly, the above limitation may not apply to you.

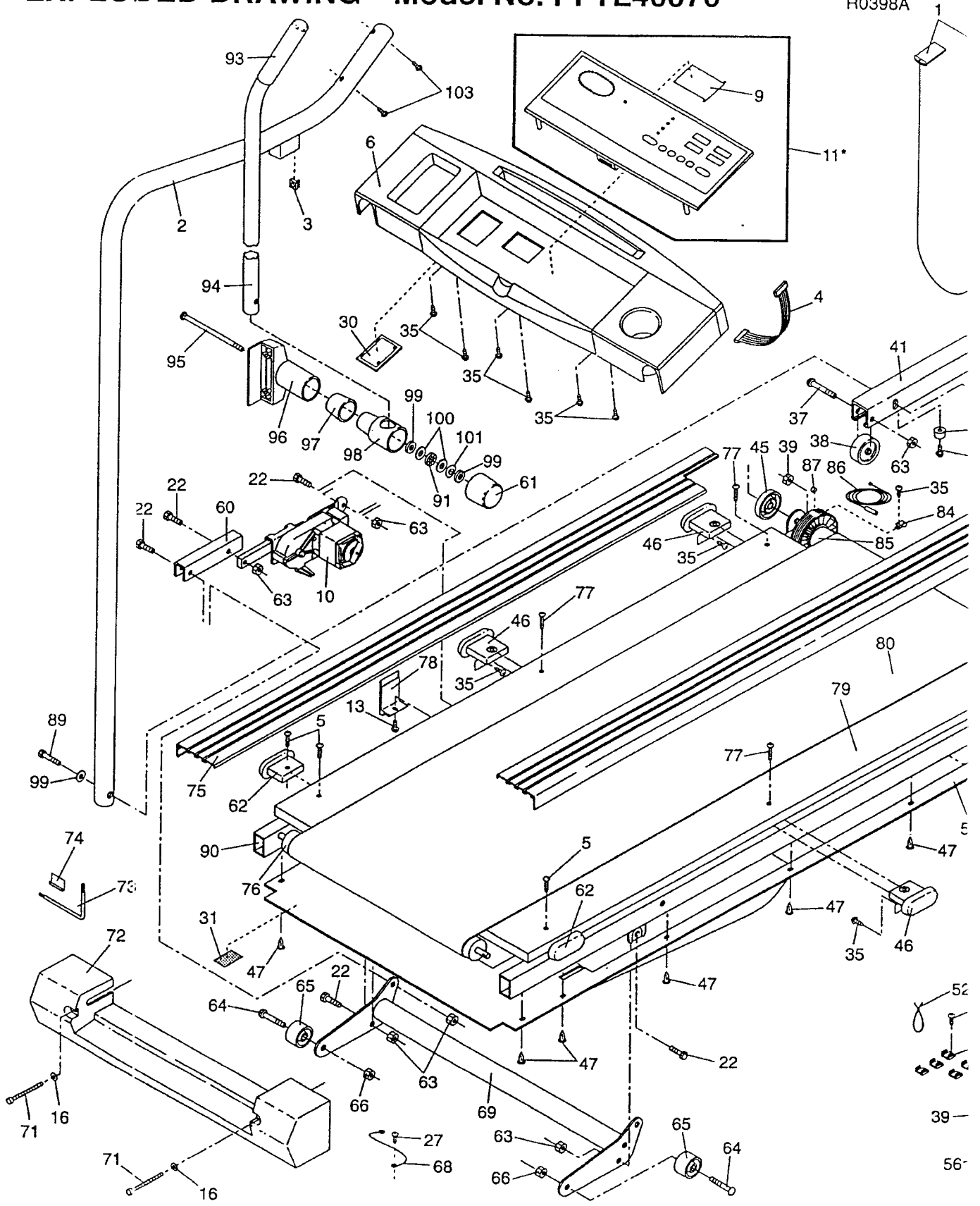
The warranty extended hereunder is in lieu of any and all other warranties and any implied warranties of merchantability or fitness for a particular purpose is limited in its scope and duration to the terms set forth herein. Some states do not allow limitations on how long an implied warranty lasts. Accordingly, the above limitation may not apply to you.

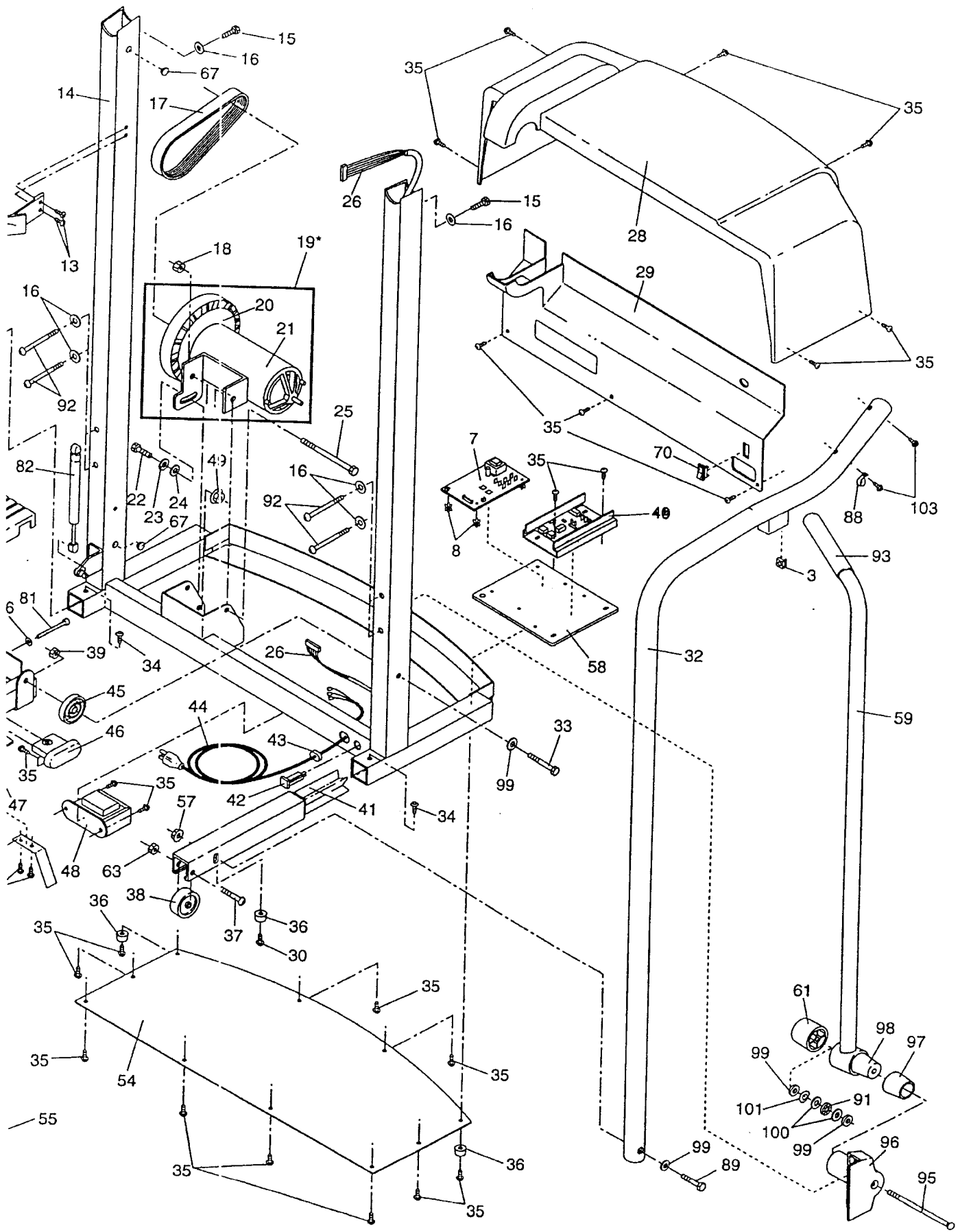
This warranty gives you specific legal rights. You may also have other rights which vary from state to state.

ICON HEALTH & FITNESS, INC., 1500 S. 1000 W., LOGAN, UT 84321-9813

EXPLODED DRAWING—Model No. PFTL40070

R0398A





PART LIST—Model No. PFTL40070

R0398A

Key No.	Qty.	Description	Key No.	Qty.	Description
1	1	Key/Clip	58	1	Electronics Bracket
2	1	Left Handrail	59	1	Right Upper Body Arm w/Foam
3	2	Cage Nut	60	1	Incline Extension
4	1	Console Wire Harness	61	2	Resistance Knob
5	4	Rear Isolator Screw	62	2	Solid Isolator
6	1	Console Base	63	9	Incline Nut
7	1	Power Board	64	2	Incline Wheel Bolt
8	4	Plastic Stand-Off	65	2	Incline Wheel
9	1	Battery Cover	66	2	Incline Wheel Nut
10	1	Incline Motor	67	2	Upright Plug
11*	1	Console Assembly	68	1	Ground Wire
12	1	Storage Latch	69	1	Incline Leg
13	9	1/2" Screw	70	1	On/Off Switch
14	1	Upright/Base	71	2	Rear Roller Adj. Bolt
15	2	Handrail Bolt	72	1	Rear Roller Endcap
16	9	Handrail Washer	73	1	Allen Wrench
17	1	Motor Belt	74	1	Adhesive Clip
18	1	Motor Swivel Nut	75	1	Left Foot Rail
19*	1	Motor/Pulley/Flywheel/Fan	76	1	Rear Roller
20	1	Pulley/Flywheel/Fan	77	4	Platform Screw
21	1	Motor	78	1	Latch Catch
22	5	Motor Tension Bolt/Incline Bolt	79	1	Walking Platform
23	1	Motor Tension Washer	80	1	Walking Belt
24	1	Motor Tension Star Washer	81	1	Front Roller Adjustment Bolt
25	1	Motor Swivel Bolt	82	1	Shock
26	1	Wire Harness	83	1	Right Foot Rail
27	2	Ground Wire Screw	84	1	Sensor Clip
28	1	Hood	85	1	Front Roller/Pulley
29	1	Hood Shield	86	1	Reed Switch
30	1	Console Plug	87	1	Magnet
31	1	Latch Decal	88	1	Strain Relief Clip
32	1	Right Handrail	89	2	3 1/2" Handrail Bolt
33	2	Frame Pivot Bolt	90	1	Frame
34	2	Extension Leg Screw	91	2	Thrust Bearing
35	39	Electronics Screw	92	4	Resistance Bracket Bolt
36	4	Base Pad	93	2	Foam Grip
37	2	Wheel Bolt	94	1	Left Upper Body Arm w/Foam
38	2	Wheel	95	2	Resistance Bolt
39	1	4" Cable Tie	96	2	Resistance Bracket
40	1	Controller	97	2	Resistance Sleeve
41	2	Extension Leg	98	2	Resistance Cone
42	1	Circuit Breaker	99	6	3/8" Washer
43	1	Power Cord Grommet	100	4	Thrust Washer
44	1	Power Cord	101	2	Spring Washer
45	2	Upright Spacer	102	2	Thrust Bearing
46	4	Isolator	103	4	3/4" Screw
47	12	Belly Pan Fastener	#	1	14" White Wire, Pig Tail
48	1	Choke	#	1	8" White Wire, 2 Female
49	1	Motor Locknut	#	1	8" Blue Wire, 2 Female
50	2	Belt Guide	#	1	4" Blue Wire, 2 Female
51	1	Belly Pan	#	1	8" Red Wire, Male/Female
52	1	Releasable Tie	#	1	4" Black Wire, 2 Female
53	5	Cable Tie Clamp	#	1	8" Green Ground Wire
54	1	Motor Belly Pan	#	1	8" Wire Harness
55	1	11 1/2" Cable Tie	#	1	User's Manual
56	4	8" Cable Tie			
57	2	Flange Nut			

* Includes all parts shown in the box

These parts are not illustrated