

Promethean

ActivPanel PC[™] for Android[™]

Quick Install Guide

- Quick Install Guide
- Quick Install Guide
- Quick Install Guide
- Quick Install Guide
- Quick Install Guide
- Quick Install Guide
- Quick Install Guide
- Quick Install Guide
- Quick Install Guide
- Quick Install Guide
- Quick Install Guide
- Quick Install Guide
- Quick Install Guide
- Quick Install Guide
- Quick Install Guide

- Quick Install Guide
- Quick Install Guide
- Quick Install Guide
- Quick Install Guide
- Quick Install Guide
- Quick Install Guide
- Quick Install Guide
- Quick Install Guide
- Quick Install Guide
- Quick Install Guide
- Quick Install Guide
- Quick Install Guide
- Quick Install Guide
- Quick Install Guide
- Quick Install Guide

For use outside of your institution, no part of this guide may be reproduced, transmitted, stored in a retrieval system or translated into any other language without the prior permission of Promethean Limited.

Please note that the content in this guide is protected under copyright law. Although every care has been taken in the compilation of this guide, Promethean Limited accepts no responsibility for errors or omissions, or for damages resulting from the use of information contained within the following pages.

Copyright information

TP-2073-ML-V02 © 2017 Promethean Limited. All rights reserved.

All software, resources, drivers and documentation supplied in the Promethean ClassFlow Desktop download are copyright Promethean Ltd 2018. Promethean grants a license to install and use Promethean ClassFlow Desktop software, including any resources, drivers and documentation supplied in the download. Refer to the licence agreement for information about the terms and conditions of this licence.

Promethean is owner of a number of trademarks in several jurisdictions across the world. The Promethean products documented in this guide include aspects which are protected under their respective patent, copyright, design copyright, registered design and trademark laws. HDMI, the HDMI logo and High-Definition Multimedia Interface are trademarks or registered trademarks of HDMI Licensing LLC. VESA is a registered mark of Video Electronics Standards Association.

Android is a registered trademark or trademark of Google Incorporated in the United States and other countries. All other trademarks remain the property of their respective owners. This guide is distributed online. It may only be reproduced for use within the institution in which the product is used.

For use outside of your institution, no part of this guide may be reproduced, transmitted, stored in a retrieval system or translated into any other language without the prior permission of Promethean Limited.

Please note that the content in this guide is protected under copyright law. Although every care has been taken in the compilation of this guide, Promethean Limited accepts no responsibility for errors or omissions, or for damages resulting from the use of information contained within the following pages.

Copyright information

TP-2073-ML-V02 © 2017 Promethean Limited. All rights reserved.

All software, resources, drivers and documentation supplied in the Promethean ClassFlow Desktop download are copyright Promethean Ltd 2018. Promethean grants a license to install and use Promethean ClassFlow Desktop software, including any resources, drivers and documentation supplied in the download. Refer to the licence agreement for information about the terms and conditions of this licence.

Promethean is owner of a number of trademarks in several jurisdictions across the world. The Promethean products documented in this guide include aspects which are protected under their respective patent, copyright, design copyright, registered design and trademark laws. HDMI, the HDMI logo and High-Definition Multimedia Interface are trademarks or registered trademarks of HDMI Licensing LLC. VESA is a registered mark of Video Electronics Standards Association.

Android is a registered trademark or trademark of Google Incorporated in the United States and other countries. All other trademarks remain the property of their respective owners. This guide is distributed online. It may only be reproduced for use within the institution in which the product is used.

For use outside of your institution, no part of this guide may be reproduced, transmitted, stored in a retrieval system or translated into any other language without the prior permission of Promethean Limited.

Please note that the content in this guide is protected under copyright law. Although every care has been taken in the compilation of this guide, Promethean Limited accepts no responsibility for errors or omissions, or for damages resulting from the use of information contained within the following pages.

Copyright information

TP-2073-ML-V02 © 2017 Promethean Limited. All rights reserved.

All software, resources, drivers and documentation supplied in the Promethean ClassFlow Desktop download are copyright Promethean Ltd 2018. Promethean grants a license to install and use Promethean ClassFlow Desktop software, including any resources, drivers and documentation supplied in the download. Refer to the licence agreement for information about the terms and conditions of this licence.

Promethean is owner of a number of trademarks in several jurisdictions across the world. The Promethean products documented in this guide include aspects which are protected under their respective patent, copyright, design copyright, registered design and trademark laws. HDMI, the HDMI logo and High-Definition Multimedia Interface are trademarks or registered trademarks of HDMI Licensing LLC. VESA is a registered mark of Video Electronics Standards Association.

Android is a registered trademark or trademark of Google Incorporated in the United States and other countries. All other trademarks remain the property of their respective owners. This guide is distributed online. It may only be reproduced for use within the institution in which the product is used.

For use outside of your institution, no part of this guide may be reproduced, transmitted, stored in a retrieval system or translated into any other language without the prior permission of Promethean Limited.

Please note that the content in this guide is protected under copyright law. Although every care has been taken in the compilation of this guide, Promethean Limited accepts no responsibility for errors or omissions, or for damages resulting from the use of information contained within the following pages.

Copyright information

TP-2073-ML-V02 © 2017 Promethean Limited. All rights reserved.

All software, resources, drivers and documentation supplied in the Promethean ClassFlow Desktop download are copyright Promethean Ltd 2018. Promethean grants a license to install and use Promethean ClassFlow Desktop software, including any resources, drivers and documentation supplied in the download. Refer to the licence agreement for information about the terms and conditions of this licence.

Promethean is owner of a number of trademarks in several jurisdictions across the world. The Promethean products documented in this guide include aspects which are protected under their respective patent, copyright, design copyright, registered design and trademark laws. HDMI, the HDMI logo and High-Definition Multimedia Interface are trademarks or registered trademarks of HDMI Licensing LLC. VESA is a registered mark of Video Electronics Standards Association.

Android is a registered trademark or trademark of Google Incorporated in the United States and other countries. All other trademarks remain the property of their respective owners. This guide is distributed online. It may only be reproduced for use within the institution in which the product is used.

For use outside of your institution, no part of this guide may be reproduced, transmitted, stored in a retrieval system or translated into any other language without the prior permission of Promethean Limited.

Please note that the content in this guide is protected under copyright law. Although every care has been taken in the compilation of this guide, Promethean Limited accepts no responsibility for errors or omissions, or for damages resulting from the use of information contained within the following pages.

Copyright information

TP-2073-ML-V02 © 2017 Promethean Limited. All rights reserved.

All software, resources, drivers and documentation supplied in the Promethean ClassFlow Desktop download are copyright Promethean Ltd 2018. Promethean grants a license to install and use Promethean ClassFlow Desktop software, including any resources, drivers and documentation supplied in the download. Refer to the licence agreement for information about the terms and conditions of this licence.

Promethean is owner of a number of trademarks in several jurisdictions across the world. The Promethean products documented in this guide include aspects which are protected under their respective patent, copyright, design

copyright, registered design and trademark laws. HDMI, the HDMI logo and High-Definition Multimedia Interface are trademarks or registered trademarks of HDMI Licensing LLC. VESA is a registered mark of Video Electronics Standards Association.

Android is a registered trademark or trademark of Google Incorporated in the United States and other countries. All other trademarks remain the property of their respective owners. This guide is distributed online. It may only be reproduced for use within the institution in which the product is used.

For use outside of your institution, no part of this guide may be reproduced, transmitted, stored in a retrieval system or translated into any other language without the prior permission of Promethean Limited.

Please note that the content in this guide is protected under copyright law. Although every care has been taken in the compilation of this guide, Promethean Limited accepts no responsibility for errors or omissions, or for damages resulting from the use of information contained within the following pages.

Copyright information

TP-2073-ML-V02 © 2017 Promethean Limited. All rights reserved.

All software, resources, drivers and documentation supplied in the Promethean ClassFlow Desktop download are copyright Promethean Ltd 2018. Promethean grants a license to install and use Promethean ClassFlow Desktop software, including any resources, drivers and documentation supplied in the download. Refer to the licence agreement for information about the terms and conditions of this licence.

Promethean is owner of a number of trademarks in several jurisdictions across the world. The Promethean products documented in this guide include aspects which are protected under their respective patent, copyright, design copyright, registered design and trademark laws. HDMI, the HDMI logo and High-Definition Multimedia Interface are trademarks or registered trademarks of HDMI Licensing LLC. VESA is a registered mark of Video Electronics Standards Association.

Android is a registered trademark or trademark of Google Incorporated in the United States and other countries. All other trademarks remain the property of their respective owners. This guide is distributed online. It may only be reproduced for use within the institution in which the product is used.

For use outside of your institution, no part of this guide may be reproduced, transmitted, stored in a retrieval system or translated into any other language without the prior permission of Promethean Limited.

Please note that the content in this guide is protected under copyright law. Although every care has been taken in the compilation of this guide, Promethean Limited accepts no responsibility for errors or omissions, or for damages resulting from the use of information contained within the following pages.

Copyright information

TP-2073-ML-V02 © 2017 Promethean Limited. All rights reserved.

All software, resources, drivers and documentation supplied in the Promethean ClassFlow Desktop download are copyright Promethean Ltd 2018. Promethean grants a license to install and use Promethean ClassFlow Desktop software, including any resources, drivers and documentation supplied in the download. Refer to the licence agreement for information about the terms and conditions of this licence.

Promethean is owner of a number of trademarks in several jurisdictions across the world. The Promethean products documented in this guide include aspects which are protected under their respective patent, copyright, design copyright, registered design and trademark laws. HDMI, the HDMI logo and High-Definition Multimedia Interface are trademarks or registered trademarks of HDMI Licensing LLC. VESA is a registered mark of Video Electronics Standards Association.

Android is a registered trademark or trademark of Google Incorporated in the United States and other countries. All other trademarks remain the property of their respective owners. This guide is distributed online. It may only be reproduced for use within the institution in which the product is used.

For use outside of your institution, no part of this guide may be reproduced, transmitted, stored in a retrieval system or translated into any other language without the prior permission of Promethean Limited.

Please note that the content in this guide is protected under copyright law. Although every care has been taken in the compilation of this guide, Promethean Limited accepts no responsibility for errors or omissions, or for damages resulting from the use of information contained within the following pages.

Copyright information

TP-2073-ML-V02 © 2017 Promethean Limited. All rights reserved.

All software, resources, drivers and documentation supplied in the Promethean ClassFlow Desktop download are copyright Promethean Ltd 2018. Promethean grants a license to install and use Promethean ClassFlow Desktop software, including any resources, drivers and documentation supplied in the download. Refer to the licence agreement for information about the terms and conditions of this licence.

Promethean is owner of a number of trademarks in several jurisdictions across the world. The Promethean products documented in this guide include aspects which are protected under their respective patent, copyright, design copyright, registered design and trademark laws. HDMI, the HDMI logo and High-Definition Multimedia Interface are trademarks or registered trademarks of HDMI Licensing LLC. VESA is a registered mark of Video Electronics Standards Association.

Android is a registered trademark or trademark of Google Incorporated in the United States and other countries. All other trademarks remain the property of their respective owners. This guide is distributed online. It may only be reproduced for use within the institution in which the product is used.

For use outside of your institution, no part of this guide may be reproduced, transmitted, stored in a retrieval system or translated into any other language without the prior permission of Promethean Limited.

Please note that the content in this guide is protected under copyright law. Although every care has been taken in the compilation of this guide, Promethean Limited accepts no responsibility for errors or omissions, or for damages resulting from the use of information contained within the following pages.

Copyright information

TP-2073-ML-V02 © 2017 Promethean Limited. All rights reserved.

All software, resources, drivers and documentation supplied in the Promethean ClassFlow Desktop download are copyright Promethean Ltd 2018. Promethean grants a license to install and use Promethean ClassFlow Desktop software, including any resources, drivers and documentation supplied in the download. Refer to the licence agreement for information about the terms and conditions of this licence.

Promethean is owner of a number of trademarks in several jurisdictions across the world. The Promethean products documented in this guide include aspects which are protected under their respective patent, copyright, design copyright, registered design and trademark laws. HDMI, the HDMI logo and High-Definition Multimedia Interface are trademarks or registered trademarks of HDMI Licensing LLC. VESA is a registered mark of Video Electronics Standards Association.

Android is a registered trademark or trademark of Google Incorporated in the United States and other countries. All other trademarks remain the property of their respective owners. This guide is distributed online. It may only be reproduced for use within the institution in which the product is used.

For use outside of your institution, no part of this guide may be reproduced, transmitted, stored in a retrieval system or translated into any other language without the prior permission of Promethean Limited.

Please note that the content in this guide is protected under copyright law. Although every care has been taken in the compilation of this guide, Promethean Limited accepts no responsibility for errors or omissions, or for damages resulting from the use of information contained within the following pages.

Copyright information

TP-2073-ML-V02 © 2017 Promethean Limited. All rights reserved.

All software, resources, drivers and documentation supplied in the Promethean ClassFlow Desktop download are copyright Promethean Ltd 2018. Promethean grants a license to install and use Promethean ClassFlow Desktop software, including any resources, drivers and documentation supplied in the download. Refer to the licence agreement for information about the terms and conditions of this licence.

Promethean is owner of a number of trademarks in several jurisdictions across the world. The Promethean products documented in this guide include aspects which are protected under their respective patent, copyright, design copyright, registered design and trademark laws. HDMI, the HDMI logo and High-Definition Multimedia Interface are trademarks or registered trademarks of HDMI Licensing LLC. VESA is a registered mark of Video Electronics Standards Association.

Android is a registered trademark or trademark of Google Incorporated in the United States and other countries. All other trademarks remain the property of their respective owners. This guide is distributed online. It may only be reproduced for use within the institution in which the product is used.

For use outside of your institution, no part of this guide may be reproduced, transmitted, stored in a retrieval system or translated into any other language without the prior permission of Promethean Limited.

Please note that the content in this guide is protected under copyright law. Although every care has been taken in the compilation of this guide, Promethean Limited accepts no responsibility for errors or omissions, or for damages resulting from the use of information contained within the following pages.

Copyright information

TP-2073-ML-V02 © 2017 Promethean Limited. All rights reserved.

All software, resources, drivers and documentation supplied in the Promethean ClassFlow Desktop download are copyright Promethean Ltd 2018. Promethean grants a license to install and use Promethean ClassFlow Desktop software, including any resources, drivers and documentation supplied in the download. Refer to the licence agreement for information about the terms and conditions of this licence.

Promethean is owner of a number of trademarks in several jurisdictions across the world. The Promethean products documented in this guide include aspects which are protected under their respective patent, copyright, design copyright, registered design and trademark laws. HDMI, the HDMI logo and High-Definition Multimedia Interface are trademarks or registered trademarks of HDMI Licensing LLC. VESA is a registered mark of Video Electronics Standards Association.

Android is a registered trademark or trademark of Google Incorporated in the United States and other countries. All other trademarks remain the property of their respective owners. This guide is distributed online. It may only be reproduced for use within the institution in which the product is used.

For use outside of your institution, no part of this guide may be reproduced, transmitted, stored in a retrieval system or translated into any other language without the prior permission of Promethean Limited.

Please note that the content in this guide is protected under copyright law. Although every care has been taken in the compilation of this guide, Promethean Limited accepts no responsibility for errors or omissions, or for damages resulting from the use of information contained within the following pages.

Copyright information

TP-2073-ML-V02 © 2017 Promethean Limited. All rights reserved.

All software, resources, drivers and documentation supplied in the Promethean ClassFlow Desktop download are copyright Promethean Ltd 2018. Promethean grants a license to install and use Promethean ClassFlow Desktop

software, including any resources, drivers and documentation supplied in the download. Refer to the licence agreement for information about the terms and conditions of this licence.

Promethean is owner of a number of trademarks in several jurisdictions across the world. The Promethean products documented in this guide include aspects which are protected under their respective patent, copyright, design copyright, registered design and trademark laws. HDMI, the HDMI logo and High-Definition Multimedia Interface are trademarks or registered trademarks of HDMI Licensing LLC. VESA is a registered mark of Video Electronics Standards Association.

Android is a registered trademark or trademark of Google Incorporated in the United States and other countries. All other trademarks remain the property of their respective owners. This guide is distributed online. It may only be reproduced for use within the institution in which the product is used.

For use outside of your institution, no part of this guide may be reproduced, transmitted, stored in a retrieval system or translated into any other language without the prior permission of Promethean Limited.

Please note that the content in this guide is protected under copyright law. Although every care has been taken in the compilation of this guide, Promethean Limited accepts no responsibility for errors or omissions, or for damages resulting from the use of information contained within the following pages.

Copyright information

TP-2073-ML-V02 © 2017 Promethean Limited. All rights reserved.

All software, resources, drivers and documentation supplied in the Promethean ClassFlow Desktop download are copyright Promethean Ltd 2018. Promethean grants a license to install and use Promethean ClassFlow Desktop software, including any resources, drivers and documentation supplied in the download. Refer to the licence agreement for information about the terms and conditions of this licence.

Promethean is owner of a number of trademarks in several jurisdictions across the world. The Promethean products documented in this guide include aspects which are protected under their respective patent, copyright, design copyright, registered design and trademark laws. HDMI, the HDMI logo and High-Definition Multimedia Interface are trademarks or registered trademarks of HDMI Licensing LLC. VESA is a registered mark of Video Electronics Standards Association.

Android is a registered trademark or trademark of Google Incorporated in the United States and other countries. All other trademarks remain the property of their respective owners. This guide is distributed online. It may only be reproduced for use within the institution in which the product is used.

For use outside of your institution, no part of this guide may be reproduced, transmitted, stored in a retrieval system or translated into any other language without the prior permission of Promethean Limited.

Please note that the content in this guide is protected under copyright law. Although every care has been taken in the compilation of this guide, Promethean Limited accepts no responsibility for errors or omissions, or for damages resulting from the use of information contained within the following pages.

Copyright information

TP-2073-ML-V02 © 2017 Promethean Limited. All rights reserved.

All software, resources, drivers and documentation supplied in the Promethean ClassFlow Desktop download are copyright Promethean Ltd 2018. Promethean grants a license to install and use Promethean ClassFlow Desktop software, including any resources, drivers and documentation supplied in the download. Refer to the licence agreement for information about the terms and conditions of this licence.

Promethean is owner of a number of trademarks in several jurisdictions across the world. The Promethean products documented in this guide include aspects which are protected under their respective patent, copyright, design copyright, registered design and trademark laws. HDMI, the HDMI logo and High-Definition Multimedia Interface are trademarks or registered trademarks of HDMI Licensing LLC. VESA is a registered mark of Video Electronics Standards Association.

Android is a registered trademark or trademark of Google Incorporated in the United States and other countries. All other trademarks remain the property of their respective owners. This guide is distributed online. It may only be reproduced for use within the institution in which the product is used.

For use outside of your institution, no part of this guide may be reproduced, transmitted, stored in a retrieval system or translated into any other language without the prior permission of Promethean Limited.

Please note that the content in this guide is protected under copyright law. Although every care has been taken in the compilation of this guide, Promethean Limited accepts no responsibility for errors or omissions, or for damages resulting from the use of information contained within the following pages.

Copyright information

TP-2073-ML-V02 © 2017 Promethean Limited. All rights reserved.

All software, resources, drivers and documentation supplied in the Promethean ClassFlow Desktop download are copyright Promethean Ltd 2018. Promethean grants a license to install and use Promethean ClassFlow Desktop software, including any resources, drivers and documentation supplied in the download. Refer to the licence agreement for information about the terms and conditions of this licence.

Promethean is owner of a number of trademarks in several jurisdictions across the world. The Promethean products documented in this guide include aspects which are protected under their respective patent, copyright, design copyright, registered design and trademark laws. HDMI, the HDMI logo and High-Definition Multimedia Interface are trademarks or registered trademarks of HDMI Licensing LLC. VESA is a registered mark of Video Electronics Standards Association.

Android is a registered trademark or trademark of Google Incorporated in the United States and other countries. All other trademarks remain the property of their respective owners. This guide is distributed online. It may only be reproduced for use within the institution in which the product is used.

For use outside of your institution, no part of this guide may be reproduced, transmitted, stored in a retrieval system or translated into any other language without the prior permission of Promethean Limited.

Please note that the content in this guide is protected under copyright law. Although every care has been taken in the compilation of this guide, Promethean Limited accepts no responsibility for errors or omissions, or for damages resulting from the use of information contained within the following pages.

Copyright information

TP-2073-ML-V02 © 2017 Promethean Limited. All rights reserved.

All software, resources, drivers and documentation supplied in the Promethean ClassFlow Desktop download are copyright Promethean Ltd 2018. Promethean grants a license to install and use Promethean ClassFlow Desktop software, including any resources, drivers and documentation supplied in the download. Refer to the licence agreement for information about the terms and conditions of this licence.

Promethean is owner of a number of trademarks in several jurisdictions across the world. The Promethean products documented in this guide include aspects which are protected under their respective patent, copyright, design copyright, registered design and trademark laws. HDMI, the HDMI logo and High-Definition Multimedia Interface are trademarks or registered trademarks of HDMI Licensing LLC. VESA is a registered mark of Video Electronics Standards Association.

Android is a registered trademark or trademark of Google Incorporated in the United States and other countries. All other trademarks remain the property of their respective owners. This guide is distributed online. It may only be reproduced for use within the institution in which the product is used.

For use outside of your institution, no part of this guide may be reproduced, transmitted, stored in a retrieval system or translated into any other language without the prior permission of Promethean Limited.

Please note that the content in this guide is protected under copyright law. Although every care has been taken in the compilation of this guide, Promethean Limited accepts no responsibility for errors or omissions, or for damages resulting from the use of information contained within the following pages.

Copyright information

TP-2073-ML-V02 © 2017 Promethean Limited. All rights reserved.

All software, resources, drivers and documentation supplied in the Promethean ClassFlow Desktop download are copyright Promethean Ltd 2018. Promethean grants a license to install and use Promethean ClassFlow Desktop software, including any resources, drivers and documentation supplied in the download. Refer to the licence agreement for information about the terms and conditions of this licence.

Promethean is owner of a number of trademarks in several jurisdictions across the world. The Promethean products documented in this guide include aspects which are protected under their respective patent, copyright, design copyright, registered design and trademark laws. HDMI, the HDMI logo and High-Definition Multimedia Interface are trademarks or registered trademarks of HDMI Licensing LLC. VESA is a registered mark of Video Electronics Standards Association.

Android is a registered trademark or trademark of Google Incorporated in the United States and other countries. All other trademarks remain the property of their respective owners. This guide is distributed online. It may only be reproduced for use within the institution in which the product is used.

For use outside of your institution, no part of this guide may be reproduced, transmitted, stored in a retrieval system or translated into any other language without the prior permission of Promethean Limited.

Please note that the content in this guide is protected under copyright law. Although every care has been taken in the compilation of this guide, Promethean Limited accepts no responsibility for errors or omissions, or for damages resulting from the use of information contained within the following pages.

Copyright information

TP-2073-ML-V02 © 2017 Promethean Limited. All rights reserved.

All software, resources, drivers and documentation supplied in the Promethean ClassFlow Desktop download are copyright Promethean Ltd 2018. Promethean grants a license to install and use Promethean ClassFlow Desktop software, including any resources, drivers and documentation supplied in the download. Refer to the licence agreement for information about the terms and conditions of this licence.

Promethean is owner of a number of trademarks in several jurisdictions across the world. The Promethean products documented in this guide include aspects which are protected under their respective patent, copyright, design copyright, registered design and trademark laws. HDMI, the HDMI logo and High-Definition Multimedia Interface are trademarks or registered trademarks of HDMI Licensing LLC. VESA is a registered mark of Video Electronics Standards Association.

Android is a registered trademark or trademark of Google Incorporated in the United States and other countries. All other trademarks remain the property of their respective owners. This guide is distributed online. It may only be reproduced for use within the institution in which the product is used.

For use outside of your institution, no part of this guide may be reproduced, transmitted, stored in a retrieval system or translated into any other language without the prior permission of Promethean Limited.

Please note that the content in this guide is protected under copyright law. Although every care has been taken in the compilation of this guide, Promethean Limited accepts no responsibility for errors or omissions, or for damages resulting from the use of information contained within the following pages.

Copyright information

TP-2073-ML-V02 © 2017 Promethean Limited. All rights reserved.

All software, resources, drivers and documentation supplied in the Promethean ClassFlow Desktop download are copyright Promethean Ltd 2018. Promethean grants a license to install and use Promethean ClassFlow Desktop software, including any resources, drivers and documentation supplied in the download. Refer to the licence agreement for information about the terms and conditions of this licence.

Promethean is owner of a number of trademarks in several jurisdictions across the world. The Promethean products documented in this guide include aspects which are protected under their respective patent, copyright, design copyright, registered design and trademark laws. HDMI, the HDMI logo and High-Definition Multimedia Interface are trademarks or registered trademarks of HDMI Licensing LLC. VESA is a registered mark of Video Electronics Standards Association.

Android is a registered trademark or trademark of Google Incorporated in the United States and other countries. All other trademarks remain the property of their respective owners. This guide is distributed online. It may only be reproduced for use within the institution in which the product is used.

For use outside of your institution, no part of this guide may be reproduced, transmitted, stored in a retrieval system or translated into any other language without the prior permission of Promethean Limited.

Please note that the content in this guide is protected under copyright law. Although every care has been taken in the compilation of this guide, Promethean Limited accepts no responsibility for errors or omissions, or for damages resulting from the use of information contained within the following pages.

Copyright information

TP-2073-ML-V02 © 2017 Promethean Limited. All rights reserved.

All software, resources, drivers and documentation supplied in the Promethean ClassFlow Desktop download are copyright Promethean Ltd 2018. Promethean grants a license to install and use Promethean ClassFlow Desktop software, including any resources, drivers and documentation supplied in the download. Refer to the licence agreement for information about the terms and conditions of this licence.

Promethean is owner of a number of trademarks in several jurisdictions across the world. The Promethean products documented in this guide include aspects which are protected under their respective patent, copyright, design copyright, registered design and trademark laws. HDMI, the HDMI logo and High-Definition Multimedia Interface are trademarks or registered trademarks of HDMI Licensing LLC. VESA is a registered mark of Video Electronics Standards Association.

Android is a registered trademark or trademark of Google Incorporated in the United States and other countries. All other trademarks remain the property of their respective owners. This guide is distributed online. It may only be reproduced for use within the institution in which the product is used.

For use outside of your institution, no part of this guide may be reproduced, transmitted, stored in a retrieval system or translated into any other language without the prior permission of Promethean Limited.

Please note that the content in this guide is protected under copyright law. Although every care has been taken in the compilation of this guide, Promethean Limited accepts no responsibility for errors or omissions, or for damages resulting from the use of information contained within the following pages.

Copyright information

TP-2073-ML-V02 © 2017 Promethean Limited. All rights reserved.

All software, resources, drivers and documentation supplied in the Promethean ClassFlow Desktop download are copyright Promethean Ltd 2018. Promethean grants a license to install and use Promethean ClassFlow Desktop software, including any resources, drivers and documentation supplied in the download. Refer to the licence agreement for information about the terms and conditions of this licence.

Promethean is owner of a number of trademarks in several jurisdictions across the world. The Promethean products documented in this guide include aspects which are protected under their respective patent, copyright, design copyright, registered design and

trademark laws. HDMI, the HDMI logo and High-Definition Multimedia Interface are trademarks or registered trademarks of HDMI Licensing LLC. VESA is a registered mark of Video Electronics Standards Association.

Android is a registered trademark or trademark of Google Incorporated in the United States and other countries. All other trademarks remain the property of their respective owners. This guide is distributed online. It may only be reproduced for use within the institution in which the product is used.

For use outside of your institution, no part of this guide may be reproduced, transmitted, stored in a retrieval system or translated into any other language without the prior permission of Promethean Limited.

Please note that the content in this guide is protected under copyright law. Although every care has been taken in the compilation of this guide, Promethean Limited accepts no responsibility for errors or omissions, or for damages resulting from the use of information contained within the following pages.

Copyright information

TP-2073-ML-V02 © 2017 Promethean Limited. All rights reserved.

All software, resources, drivers and documentation supplied in the Promethean ClassFlow Desktop download are copyright Promethean Ltd 2018. Promethean grants a license to install and use Promethean ClassFlow Desktop software, including any resources, drivers and documentation supplied in the download. Refer to the licence agreement for information about the terms and conditions of this licence.

Promethean is owner of a number of trademarks in several jurisdictions across the world. The Promethean products documented in this guide include aspects which are protected under their respective patent, copyright, design copyright, registered design and trademark laws. HDMI, the HDMI logo and High-Definition Multimedia Interface are trademarks or registered trademarks of HDMI Licensing LLC. VESA is a registered mark of Video Electronics Standards Association.

Android is a registered trademark or trademark of Google Incorporated in the United States and other countries. All other trademarks remain the property of their respective owners. This guide is distributed online. It may only be reproduced for use within the institution in which the product is used.

For use outside of your institution, no part of this guide may be reproduced, transmitted, stored in a retrieval system or translated into any other language without the prior permission of Promethean Limited.

Please note that the content in this guide is protected under copyright law. Although every care has been taken in the compilation of this guide, Promethean Limited accepts no responsibility for errors or omissions, or for damages resulting from the use of information contained within the following pages.

Copyright information

TP-2073-ML-V02 © 2017 Promethean Limited. All rights reserved.

All software, resources, drivers and documentation supplied in the Promethean ClassFlow Desktop download are copyright Promethean Ltd 2018. Promethean grants a license to install and use Promethean ClassFlow Desktop software, including any resources, drivers and documentation supplied in the download. Refer to the licence agreement for information about the terms and conditions of this licence.

Promethean is owner of a number of trademarks in several jurisdictions across the world. The Promethean products documented in this guide include aspects which are protected under their respective patent, copyright, design copyright, registered design and trademark laws. HDMI, the HDMI logo and High-Definition Multimedia Interface are trademarks or registered trademarks of HDMI Licensing LLC. VESA is a registered mark of Video Electronics Standards Association.

Android is a registered trademark or trademark of Google Incorporated in the United States and other countries. All other trademarks remain the property of their respective owners. This guide is distributed online. It may only be reproduced for use within the institution in which the product is used.

For use outside of your institution, no part of this guide may be reproduced, transmitted, stored in a retrieval system or translated into any other language without the prior permission of Promethean Limited.

Please note that the content in this guide is protected under copyright law. Although every care has been taken in the compilation of this guide, Promethean Limited accepts no responsibility for errors or omissions, or for damages resulting from the use of information contained within the following pages.

Copyright information

TP-2073-ML-V02 © 2017 Promethean Limited. All rights reserved.

All software, resources, drivers and documentation supplied in the Promethean ClassFlow Desktop download are copyright Promethean Ltd 2018. Promethean grants a license to install and use Promethean ClassFlow Desktop software, including any resources, drivers and documentation supplied in the download. Refer to the licence agreement for information about the terms and conditions of this licence.

Promethean is owner of a number of trademarks in several jurisdictions across the world. The Promethean products documented in this guide include aspects which are protected under their respective patent, copyright, design copyright, registered design and trademark laws. HDMI, the HDMI logo and High-Definition Multimedia Interface are trademarks or registered trademarks of HDMI Licensing LLC. VESA is a registered mark of Video Electronics Standards Association.

Android is a registered trademark or trademark of Google Incorporated in the United States and other countries. All other trademarks remain the property of their respective owners. This guide is distributed online. It may only be reproduced for use within the institution in which the product is used.

For use outside of your institution, no part of this guide may be reproduced, transmitted, stored in a retrieval system or translated into any other language without the prior permission of Promethean Limited.

Please note that the content in this guide is protected under copyright law. Although every care has been taken in the compilation of this guide, Promethean Limited accepts no responsibility for errors or omissions, or for damages resulting from the use of information contained within the following pages.

Copyright information

TP-2073-ML-V02 © 2017 Promethean Limited. All rights reserved.

All software, resources, drivers and documentation supplied in the Promethean ClassFlow Desktop download are copyright Promethean Ltd 2018. Promethean grants a license to install and use Promethean ClassFlow Desktop software, including any resources, drivers and documentation supplied in the download. Refer to the licence agreement for information about the terms and conditions of this licence.

Promethean is owner of a number of trademarks in several jurisdictions across the world. The Promethean products documented in this guide include aspects which are protected under their respective patent, copyright, design copyright, registered design and trademark laws. HDMI, the HDMI logo and High-Definition Multimedia Interface are trademarks or registered trademarks of HDMI Licensing LLC. VESA is a registered mark of Video Electronics Standards Association.

Android is a registered trademark or trademark of Google Incorporated in the United States and other countries. All other trademarks remain the property of their respective owners. This guide is distributed online. It may only be reproduced for use within the institution in which the product is used.

For use outside of your institution, no part of this guide may be reproduced, transmitted, stored in a retrieval system or translated into any other language without the prior permission of Promethean Limited.

Please note that the content in this guide is protected under copyright law. Although every care has been taken in the compilation of this guide, Promethean Limited accepts no responsibility for errors or omissions, or for damages resulting from the use of information contained within the following pages.

Copyright information

TP-2073-ML-V02 © 2017 Promethean Limited. All rights reserved.

All software, resources, drivers and documentation supplied in the Promethean ClassFlow Desktop download are copyright Promethean Ltd 2018. Promethean grants a license to install and use Promethean ClassFlow Desktop software, including any resources, drivers and documentation supplied in the download. Refer to the licence agreement for information about the terms and conditions of this licence.

Promethean is owner of a number of trademarks in several jurisdictions across the world. The Promethean products documented in this guide include aspects which are protected under their respective patent, copyright, design copyright, registered design and trademark laws. HDMI, the HDMI logo and High-Definition Multimedia Interface are trademarks or registered trademarks of HDMI Licensing LLC. VESA is a registered mark of Video Electronics Standards Association.

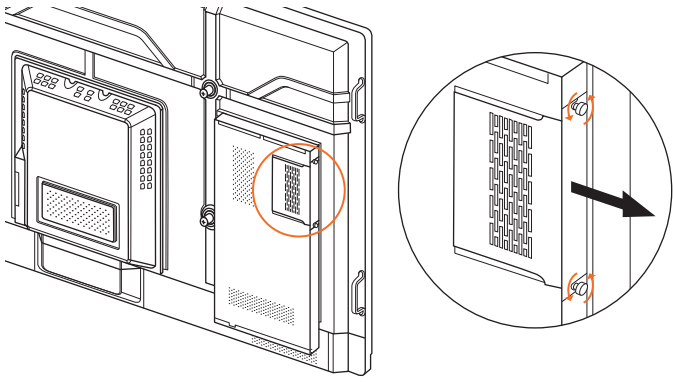
Android is a registered trademark or trademark of Google Incorporated in the United States and other countries. All other trademarks remain the property of their respective owners. This guide is distributed online. It may only be reproduced for use within the institution in which the product is used.

For use outside of your institution, no part of this guide may be reproduced, transmitted, stored in a retrieval system or translated into any other language without the prior permission of Promethean Limited.

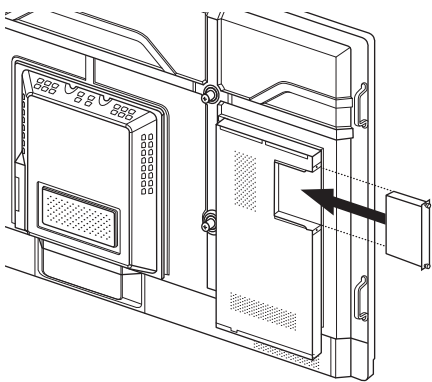
Please note that the content in this guide is protected under copyright law. Although every care has been taken in the compilation of this guide, Promethean Limited accepts no responsibility for errors or omissions, or for damages resulting from the use of information contained within the following pages.

Weight	Net Weight: 0.72 kg
Weight	Net Weight: 0.72 kg
Weight	Net Weight: 0.72 kg
Weight	Net Weight: 0.72 kg
Weight	Net Weight: 0.72 kg
Weight	Net Weight: 0.72 kg
Weight	Net Weight: 0.72 kg
Weight	Net Weight: 0.72 kg
Weight	Net Weight: 0.72 kg
Weight	Net Weight: 0.72 kg
Weight	Net Weight: 0.72 kg
Weight	Net Weight: 0.72 kg
Weight	Net Weight: 0.72 kg
Weight	Net Weight: 0.72 kg
Weight	Net Weight: 0.72 kg
Weight	Net Weight: 0.72 kg
Weight	Net Weight: 0.72 kg
Weight	Net Weight: 0.72 kg
Weight	Net Weight: 0.72 kg
Weight	Net Weight: 0.72 kg
Weight	Net Weight: 0.72 kg
Weight	Net Weight: 0.72 kg
Weight	Net Weight: 0.72 kg
Weight	Net Weight: 0.72 kg

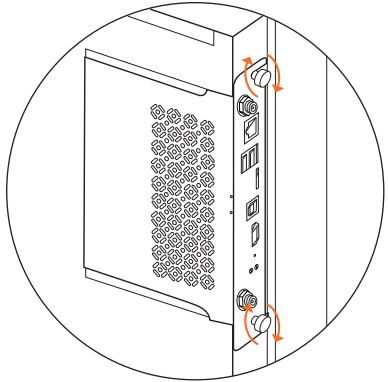
2



3



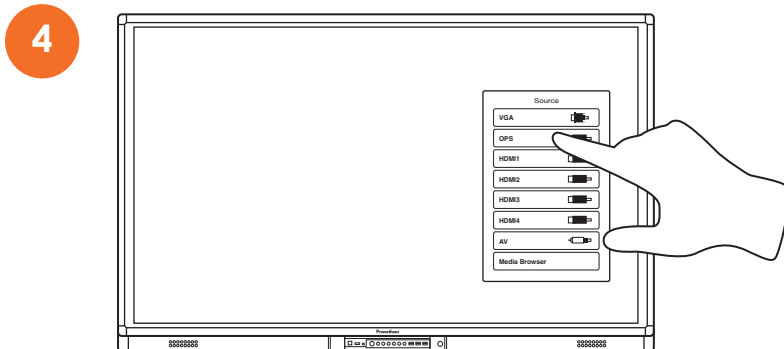
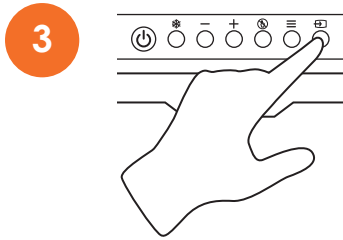
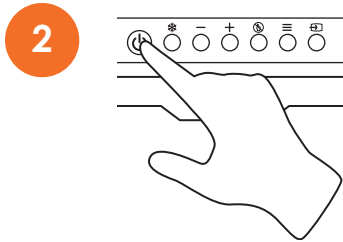
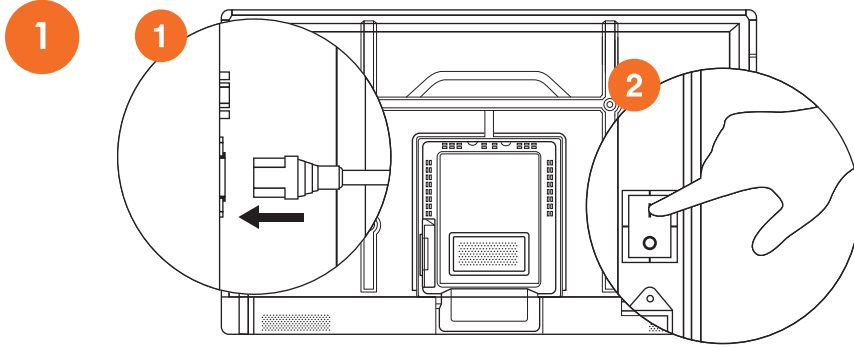
4



Note: The procedure for switching on the device may differ depending on the ActivPanel version.

Note: The procedure for switching on the device may differ depending on the ActivPanel version.

Note: The procedure for switching on the device may differ depending on the ActivPanel version.



Follow the standard powering off procedure for the ActivPanel.

Follow the standard powering off procedure for the ActivPanel.

Follow the standard powering off procedure for the ActivPanel.

Follow the standard powering off procedure for the ActivPanel.

Follow the standard powering off procedure for the ActivPanel.

Follow the standard powering off procedure for the ActivPanel.

Follow the standard powering off procedure for the ActivPanel.

Follow the standard powering off procedure for the ActivPanel.

Follow the standard powering off procedure for the ActivPanel.

Follow the standard powering off procedure for the ActivPanel.

Follow the standard powering off procedure for the ActivPanel.

Follow the standard powering off procedure for the ActivPanel.

Follow the standard powering off procedure for the ActivPanel.

Follow the standard powering off procedure for the ActivPanel.

Follow the standard powering off procedure for the ActivPanel.

Follow the standard powering off procedure for the ActivPanel.

Follow the standard powering off procedure for the ActivPanel.

Follow the standard powering off procedure for the ActivPanel.

Follow the standard powering off procedure for the ActivPanel.

Model No: PRM-ACON1-OPS

United States of America

Model No: PRM-ACON1-OPS is an open cell Android device to be used with UL listed panels that have installations detailing user installation and card cage accessories.

This equipment has been tested and found to comply with the limits for a Class B digital device, pursuant to Part 15 of FCC Rules. These limits are designed to provide reasonable protection against harmful interference in a residential installation. This equipment generates, uses, and can radiate radio frequency energy. If not installed and used in accordance with the instructions, it may cause harmful interference to radio communications. However, there is no guarantee that interference will not occur in a particular installation. If this equipment does cause harmful interference to radio or television reception, which can be determined by turning the equipment off and on, the user is encouraged to try and correct the interference by one or more of the following measures:

- Reorient or relocate the receiving antenna.
- Increase the distance between the equipment and the receiver.
- Connect the equipment to outlet on a circuit different from that to which the receiver is connected.
- Consult the dealer or an experienced radio/TV technician for help.
- Any changes or modifications not expressly approved by the party responsible for compliance could void the user's authority to operate the equipment.

This device complies with part 15 of the FCC rules. Operation is subject to the following two conditions:

1. This device may not cause harmful interference; and
2. This device must accept any interference received, including interference that may cause undesired operation.

RF Exposure

The equipment complies with FCC radiation exposure limits set forth for an uncontrolled environment. This device should be installed and operated with a minimum distance of 20 cm between the radiator and your body.

Model No	FCC-ID
PRM-ACON1-OPS	QAM019

Canada

Canada – Industry Canada (IC)

PRM-ACON1-OPS is an open cell Android device to be used with CUL listed panels that have installations detailing user installation and card cage accessories.

This device complies with RSS 210 of Industry Canada.

Operation is subject to the following two conditions:

1. this device may not cause interference
2. this device must accept any interference, including interference that may cause undesired operation of this device.

Modèle no: PRM-ACON1-OPS est un ordinateur personnel portable ouvert pour être utilisé avec UL panneaux qui ont des instructions d'installation détaillant l'installation de l'utilisateur d'accessoires carte de cage.

Cet appareil est conforme aux CNR exemptes de licence d'Industrie Canada. Son fonctionnement est soumis aux deux conditions suivantes :

1. Ce dispositif ne peut causer d'interférences; et
2. Ce dispositif doit accepter toute interférence , y compris les interférences qui peuvent causer un mauvais fonctionnement de l'appareil.

RF Exposure

Radiation Exposure Statement:

This equipment complies with IC radiation exposure limits set forth for an uncontrolled environment. This equipment should be installed and operated with a minimum distance of 20 cm between the radiator and your body.

Déclaration d'exposition aux radiations:

Cet équipement est conforme aux limites d'exposition aux rayonnements IC établies pour un environnement non contrôlé. Cet équipement doit être installé et utilisé avec un minimum de 20 cm de distance entre la source de rayonnement et votre corps.

CAN ICES-3 (B)

Avis d'Industrie Canada

Le présent appareil est conforme aux CNR d'industrie Canada applicables aux appareils radio exempts de licence L'exploitation est autorisée aux deux conditions suivantes:

1. l'appareil ne doit pas produire de brouillage; et
2. l'utilisateur de l'appareil doit accepter brouillage radioélectrique subi même si le brouillage est susceptible d'en compromettre le fonctionnement. mauvais fonctionnement de l'appareil.

Cet appareil numérique de la classe B est conforme à la norme NMB-003 du Canada.

CAN NMB-3 (B)

The term "IC" before the equipment certification number only signifies that the Industry Canada technical specifications were met.

Model No	Wifi module IC-ID
PRM-ACON1-OPS	5459A-019

Europe



PRM-ACON1-OPS

We Promethean Limited, declare under our Sole responsibility that the PRM-ACON1-OPS conforms to the essential requirements of European Union Directives 2014/53/EU Radio Equipment Directive (RED), 2014/30/EU Electromagnetic Compatibility Directive, 2014/35/EU Low Voltage Directive and 2011/65/EU Restriction of Hazardous Substances in Electrical and Electronic Equipment. Full Declaration of Conformity can be found by searching for TP-2082 at <https://support.prometheanworld.com>.

Type	Frequency (MHz)	Max power (dBm)
BT	2402-2480	5.30
Wifi	2412-2472	18.18
Wifi	5180-5240	19.11
SRD	5745-5825	13.64



PRM-ACON1-OPS is for internal use only.



The device complies with RF specifications when the device is used at 20 cm from your body.

Promethean Ltd, Promethean House, Lower Phillips Road, Blackburn, Lancashire, BB1 5TH, United Kingdom

Compliance

Europe

We Promethean Limited, declare under our Sole responsibility that the PRM-ACON1-OPS conforms to the essential requirements of European Union Directives 2014/53/EU Radio Equipment Directive (RED), 2014/30/EU Electromagnetic Compatibility Directive, 2014/35/EU Low Voltage Directive and 2011/65/EU Restriction of Hazardous Substances in Electrical and Electronic Equipment. Full Declaration of Conformity can be found by searching for TP-2082 at [.https://support.prometheanworld.com](https://support.prometheanworld.com)

WARNING



PRM-ACON1-OPS is Class B Product. In a domestic environment, they may cause radio interference in which case the user may be require to take adequate measures

(Waste Electrical and Electronic Equipment (WEEE)

.For more information concerning the correct disposal of these products, please contact your Promethean reseller



Model No: PRM-ACON1-OPS



PRM-ACON1-OPS

We Promethean Limited, declare under our Sole responsibility that the PRM-ACON1-OPS conforms to the essential requirements of European Union Directives 2014/53/EU Radio Equipment Directive (RED), 2014/30/EU Electromagnetic Compatibility Directive, 2014/35/EU Low Voltage Directive and 2011/65/EU Restriction of Hazardous Substances in Electrical and Electronic Equipment. Full Declaration of Conformity can be found by searching for TP-2082 at <https://support.prometheanworld.com>

(Max power (dBm	Frequency (MHz	Type
5.30	2480-2402	BT
18.18	2472-2412	Wifi
19.11	5240-5180	Wifi
13.64	5825-5745	SRD



AT	BE	BG	CZ	DK
EE	FR	DE	IS	IE
IT	EL	ES	CY	LV
LI	LT	LU	HU	MT
NL	NO	PL	PT	RO
SI	SK	TR	FI	SE
CH	UK			

.PRM-ACON1-OPS is for internal use only



.The device complies with RF specifications when the device is used at 20 cm from your body

Promethean Ltd, Promethean House, Lower Phillips Road, Blackburn, Lancashire, BB1 5TH, United Kingdom

Compliance

Europe

We Promethean Limited, declare under our Sole responsibility that the PRM-ACON1-OPS conforms to the essential requirements of European Union Directives 2014/53/EU Radio Equipment Directive (RED), 2014/30/EU Electromagnetic Compatibility Directive, 2014/35/EU Low Voltage Directive and 2011/65/EU Restriction of Hazardous Substances in Electrical and Electronic Equipment. Full Declaration of Conformity can be found by searching for TP-2082 at <https://support.prometheanworld.com>.



WARNING

PRM-ACON1-OPS is Class B Product. In a domestic environment, they may cause radio interference in which case the user may be require to take adequate measures.

Waste Electrical and Electronic Equipment (WEEE)

For more information concerning the correct disposal of these products, please contact your Promethean reseller.



Model No: PRM-ACON1-OPS

Europe



PRM-ACON1-OPS


We Promethean Limited, declare under our Sole responsibility that the PRM-ACON1-OPS conforms to the essential requirements of European Union Directives 2014/53/EU Radio Equipment Directive (RED), 2014/30/EU Electromagnetic Compatibility Directive, 2014/35/EU Low Voltage Directive and 2011/65/EU Restriction of Hazardous Substances in Electrical and Electronic Equipment. Full Declaration of Conformity can be found by searching for TP-2082 at <https://support.prometheanworld.com>.

Type	Frequency (MHz)	Max power (dBm)
BT	2402-2480	5.30
Wifi	2412-2472	18.18
Wifi	5180-5240	19.11
SRD	5745-5825	13.64



AT	BE	BG	CZ	DK
EE	FR	DE	IS	IE
IT	EL	ES	CY	LV
LI	LT	LU	HU	MT
NL	NO	PL	PT	RO
SI	SK	TR	FI	SE
CH	UK			

PRM-ACON1-OPS is for internal use only.

 The device complies with RF specifications when the device is used at 20 cm from your body.

Promethean Ltd, Promethean House, Lower Phillips Road, Blackburn, Lancashire, BB1 5TH, United Kingdom

Compliance

Europe

We Promethean Limited, declare under our Sole responsibility that the PRM-ACON1-OPS conforms to the essential requirements of European Union Directives 2014/53/EU Radio Equipment Directive (RED), 2014/30/EU Electromagnetic Compatibility Directive, 2014/35/EU Low Voltage Directive and 2011/65/EU Restriction of Hazardous Substances in Electrical and Electronic Equipment. Full Declaration of Conformity can be found by searching for TP-2082 at <https://support.prometheanworld.com>.



WARNING

PRM-ACON1-OPS is Class B Product. In a domestic environment, they may cause radio interference in which case the user may be require to take adequate measures.

Waste Electrical and Electronic Equipment (WEEE)

For more information concerning the correct disposal of these products, please contact your Promethean reseller.



Model No: PRM-ACON1-OPS

Europe




PRM-ACON1-OPS

We Promethean Limited, declare under our Sole responsibility that the PRM-ACON1-OPS conforms to the essential requirements of European Union Directives 2014/53/EU Radio Equipment Directive (RED), 2014/30/EU Electromagnetic Compatibility Directive, 2014/35/EU Low Voltage Directive and 2011/65/EU Restriction of Hazardous Substances in Electrical and Electronic Equipment. Full Declaration of Conformity can be found by searching for TP-2082 at <https://support.prometheanworld.com>.

Type	Frequency (MHz)	Max power (dBm)
BT	2402-2480	5.30
Wifi	2412-2472	18.18
Wifi	5180-5240	19.11
SRD	5745-5825	13.64

				
AT	BE	BG	CZ	DK
EE	FR	DE	IS	IE
IT	EL	ES	CY	LV
LI	LT	LU	HU	MT
NL	NO	PL	PT	RO
SI	SK	TR	FI	SE
CH	UK			

PRM-ACON1-OPS is for internal use only.

 The device complies with RF specifications when the device is used at 20 cm from your body.

Promethean Ltd, Promethean House, Lower Phillips Road, Blackburn, Lancashire, BB1 5TH, United Kingdom

Compliance

Europe

We Promethean Limited, declare under our Sole responsibility that the PRM-ACON1-OPS conforms to the essential requirements of European Union Directives 2014/53/EU Radio Equipment Directive (RED), 2014/30/EU Electromagnetic Compatibility Directive, 2014/35/EU Low Voltage Directive and 2011/65/EU Restriction of Hazardous Substances in Electrical and Electronic Equipment. Full Declaration of Conformity can be found by searching for TP-2082 at <https://support.prometheanworld.com>.

 **WARNING**
PRM-ACON1-OPS is Class B Product. In a domestic environment, they may cause radio interference in which case the user may be require to take adequate measures.

Waste Electrical and Electronic Equipment (WEEE)

For more information concerning the correct disposal of these products, please contact your Promethean reseller.



Model No: PRM-ACON1-OPS

Europe



PRM-ACON1-OPS

We Promethean Limited, declare under our Sole responsibility that the PRM-ACON1-OPS conforms to the essential requirements of European Union Directives 2014/53/EU Radio Equipment Directive (RED), 2014/30/EU Electromagnetic Compatibility Directive, 2014/35/EU Low Voltage Directive and 2011/65/EU Restriction of Hazardous Substances in Electrical and Electronic Equipment. Full Declaration of Conformity can be found by searching for TP-2082 at <https://support.prometheanworld.com>.

Type	Frequency (MHz)	Max power (dBm)
BT	2402-2480	5.30
Wifi	2412-2472	18.18
Wifi	5180-5240	19.11
SRD	5745-5825	13.64



PRM-ACON1-OPS is for internal use only.



The device complies with RF specifications when the device is used at 20 cm from your body.

Promethean Ltd, Promethean House, Lower Phillips Road, Blackburn, Lancashire, BB1 5TH, United Kingdom

Compliance

Europe

We Promethean Limited, declare under our Sole responsibility that the PRM-ACON1-OPS conforms to the essential requirements of European Union Directives 2014/53/EU Radio Equipment Directive (RED), 2014/30/EU Electromagnetic Compatibility Directive, 2014/35/EU Low Voltage Directive and 2011/65/EU Restriction of Hazardous Substances in Electrical and Electronic Equipment. Full Declaration of Conformity can be found by searching for TP-2082 at <https://support.prometheanworld.com>.



WARNING

PRM-ACON1-OPS is Class B Product. In a domestic environment, they may cause radio interference in which case the user may be required to take adequate measures.

Waste Electrical and Electronic Equipment (WEEE)

For more information concerning the correct disposal of these products, please contact your Promethean reseller.



Model No: PRM-ACON1-OPS

Europe



PRM-ACON1-OPS

We Promethean Limited, declare under our Sole responsibility that the PRM-ACON1-OPS conforms to the essential requirements of European Union Directives 2014/53/EU Radio Equipment Directive (RED), 2014/30/EU Electromagnetic Compatibility Directive, 2014/35/EU Low Voltage Directive and 2011/65/EU Restriction of Hazardous Substances in Electrical and Electronic Equipment. Full Declaration of Conformity can be found by searching for TP-2082 at <https://support.prometheanworld.com>.

Type	Frequency (MHz)	Max power (dBm)
BT	2402-2480	5.30
Wifi	2412-2472	18.18
Wifi	5180-5240	19.11
SRD	5745-5825	13.64

AT	BE	BG	CZ	DK
EE	FR	DE	IS	IE
IT	EL	ES	CY	LV
LI	LT	LU	HU	MT
NL	NO	PL	PT	RO
SI	SK	TR	FI	SE
CH	UK			

PRM-ACON1-OPS is for internal use only.

The device complies with RF specifications when the device is used at 20 cm from your body.

Promethean Ltd, Promethean House, Lower Phillips Road, Blackburn, Lancashire, BB1 5TH, United Kingdom

Compliance

Europe

We Promethean Limited, declare under our Sole responsibility that the PRM-ACON1-OPS conforms to the essential requirements of European Union Directives 2014/53/EU Radio Equipment Directive (RED), 2014/30/EU Electromagnetic Compatibility Directive, 2014/35/EU Low Voltage Directive and 2011/65/EU Restriction of Hazardous Substances in Electrical and Electronic Equipment. Full Declaration of Conformity can be found by searching for TP-2082 at <https://support.prometheanworld.com>.



WARNING

PRM-ACON1-OPS is Class B Product. In a domestic environment, they may cause radio interference in which case the user may be require to take adequate measures.

Waste Electrical and Electronic Equipment (WEEE)

For more information concerning the correct disposal of these products, please contact your Promethean reseller.



Model No: PRM-ACON1-OPS

Europe



PRM-ACON1-OPS

We Promethean Limited, declare under our Sole responsibility that the PRM-ACON1-OPS conforms to the essential requirements of European Union Directives 2014/53/EU Radio Equipment Directive (RED), 2014/30/EU Electromagnetic Compatibility Directive, 2014/35/EU Low Voltage Directive and 2011/65/EU Restriction of Hazardous Substances in Electrical and Electronic Equipment. Full Declaration of Conformity can be found by searching for TP-2082 at <https://support.prometheanworld.com>.

Type	Frequency (MHz)	Max power (dBm)
BT	2402-2480	5.30
Wifi	2412-2472	18.18
Wifi	5180-5240	19.11
SRD	5745-5825	13.64



PRM-ACON1-OPS is for internal use only.

The device complies with RF specifications when the device is used at 20 cm from your body.

Promethean Ltd, Promethean House, Lower Phillips Road, Blackburn, Lancashire, BB1 5TH, United Kingdom

Compliance

Europe

We Promethean Limited, declare under our Sole responsibility that the PRM-ACON1-OPS conforms to the essential requirements of European Union Directives 2014/53/EU Radio Equipment Directive (RED), 2014/30/EU Electromagnetic Compatibility Directive, 2014/35/EU Low Voltage Directive and 2011/65/EU Restriction of Hazardous Substances in Electrical and Electronic Equipment. Full Declaration of Conformity can be found by searching for TP-2082 at <https://support.prometheanworld.com>.

WARNING
PRM-ACON1-OPS is Class B Product. In a domestic environment, they may cause radio interference in which case the user may be require to take adequate measures.

Waste Electrical and Electronic Equipment (WEEE)

For more information concerning the correct disposal of these products, please contact your Promethean reseller.



Model No: PRM-ACON1-OPS

Europe



PRM-ACON1-OPS

We Promethean Limited, declare under our Sole responsibility that the PRM-ACON1-OPS conforms to the essential requirements of European Union Directives 2014/53/EU Radio Equipment Directive (RED), 2014/30/EU Electromagnetic Compatibility Directive, 2014/35/EU Low Voltage Directive and 2011/65/EU Restriction of Hazardous Substances in Electrical and Electronic Equipment. Full Declaration of Conformity can be found by searching for TP-2082 at <https://support.prometheanworld.com>.

Type	Frequency (MHz)	Max power (dBm)
BT	2402-2480	5.30
Wifi	2412-2472	18.18
Wifi	5180-5240	19.11
SRD	5745-5825	13.64



PRM-ACON1-OPS is for internal use only.



The device complies with RF specifications when the device is used at 20 cm from your body.

Promethean Ltd, Promethean House, Lower Phillips Road, Blackburn, Lancashire, BB1 5TH, United Kingdom

Compliance

Europe

We Promethean Limited, declare under our Sole responsibility that the PRM-ACON1-OPS conforms to the essential requirements of European Union Directives 2014/53/EU Radio Equipment Directive (RED), 2014/30/EU Electromagnetic Compatibility Directive, 2014/35/EU Low Voltage Directive and 2011/65/EU Restriction of Hazardous Substances in Electrical and Electronic Equipment. Full Declaration of Conformity can be found by searching for TP-2082 at <https://support.prometheanworld.com>.



WARNING

PRM-ACON1-OPS is Class B Product. In a domestic environment, they may cause radio interference in which case the user may be required to take adequate measures.

Waste Electrical and Electronic Equipment (WEEE)

For more information concerning the correct disposal of these products, please contact your Promethean reseller.



Model No: PRM-ACON1-OPS

Europe



PRM-ACON1-OPS


We Promethean Limited, declare under our Sole responsibility that the PRM-ACON1-OPS conforms to the essential requirements of European Union Directives 2014/53/EU Radio Equipment Directive (RED), 2014/30/EU Electromagnetic Compatibility Directive, 2014/35/EU Low Voltage Directive and 2011/65/EU Restriction of Hazardous Substances in Electrical and Electronic Equipment. Full Declaration of Conformity can be found by searching for TP-2082 at <https://support.prometheanworld.com>.

Type	Frequency (MHz)	Max power (dBm)
BT	2402-2480	5.30
Wifi	2412-2472	18.18
Wifi	5180-5240	19.11
SRD	5745-5825	13.64



AT	BE	BG	CZ	DK
EE	FR	DE	IS	IE
IT	EL	ES	CY	LV
LI	LT	LU	HU	MT
NL	NO	PL	PT	RO
SI	SK	TR	FI	SE
CH	UK			

PRM-ACON1-OPS is for internal use only.

 The device complies with RF specifications when the device is used at 20 cm from your body.

Promethean Ltd, Promethean House, Lower Phillips Road, Blackburn, Lancashire, BB1 5TH, United Kingdom

Compliance

Europe

We Promethean Limited, declare under our Sole responsibility that the PRM-ACON1-OPS conforms to the essential requirements of European Union Directives 2014/53/EU Radio Equipment Directive (RED), 2014/30/EU Electromagnetic Compatibility Directive, 2014/35/EU Low Voltage Directive and 2011/65/EU Restriction of Hazardous Substances in Electrical and Electronic Equipment. Full Declaration of Conformity can be found by searching for TP-2082 at <https://support.prometheanworld.com>.



WARNING

PRM-ACON1-OPS is Class B Product. In a domestic environment, they may cause radio interference in which case the user may be require to take adequate measures.

Waste Electrical and Electronic Equipment (WEEE)

For more information concerning the correct disposal of these products, please contact your Promethean reseller.



Model No: PRM-ACON1-OPS

Europe



PRM-ACON1-OPS

We Promethean Limited, declare under our Sole responsibility that the PRM-ACON1-OPS conforms to the essential requirements of European Union Directives 2014/53/EU Radio Equipment Directive (RED), 2014/30/EU Electromagnetic Compatibility Directive, 2014/35/EU Low Voltage Directive and 2011/65/EU Restriction of Hazardous Substances in Electrical and Electronic Equipment. Full Declaration of Conformity can be found by searching for TP-2082 at <https://support.prometheanworld.com>.

Type	Frequency (MHz)	Max power (dBm)
BT	2402-2480	5.30
Wifi	2412-2472	18.18
Wifi	5180-5240	19.11
SRD	5745-5825	13.64



PRM-ACON1-OPS is for internal use only.


 The device complies with RF specifications when the device is used at 20 cm from your body.

Promethean Ltd, Promethean House, Lower Phillips Road, Blackburn, Lancashire, BB1 5TH, United Kingdom

Compliance

Europe

We Promethean Limited, declare under our Sole responsibility that the PRM-ACON1-OPS conforms to the essential requirements of European Union Directives 2014/53/EU Radio Equipment Directive (RED), 2014/30/EU Electromagnetic Compatibility Directive, 2014/35/EU Low Voltage Directive and 2011/65/EU Restriction of Hazardous Substances in Electrical and Electronic Equipment. Full Declaration of Conformity can be found by searching for TP-2082 at <https://support.prometheanworld.com>.

 **WARNING**
PRM-ACON1-OPS is Class B Product. In a domestic environment, they may cause radio interference in which case the user may be require to take adequate measures.

Waste Electrical and Electronic Equipment (WEEE)

For more information concerning the correct disposal of these products, please contact your Promethean reseller.



Model No: PRM-ACON1-OPS

Europe



PRM-ACON1-OPS

We Promethean Limited, declare under our Sole responsibility that the PRM-ACON1-OPS conforms to the essential requirements of European Union Directives 2014/53/EU Radio Equipment Directive (RED), 2014/30/EU Electromagnetic Compatibility Directive, 2014/35/EU Low Voltage Directive and 2011/65/EU Restriction of Hazardous Substances in Electrical and Electronic Equipment. Full Declaration of Conformity can be found by searching for TP-2082 at <https://support.prometheanworld.com>.

Type	Frequency (MHz)	Max power (dBm)
BT	2402-2480	5.30
Wifi	2412-2472	18.18
Wifi	5180-5240	19.11
SRD	5745-5825	13.64



PRM-ACON1-OPS is for internal use only.



The device complies with RF specifications when the device is used at 20 cm from your body.

Promethean Ltd, Promethean House, Lower Phillips Road, Blackburn, Lancashire, BB1 5TH, United Kingdom

Compliance

Europe

We Promethean Limited, declare under our Sole responsibility that the PRM-ACON1-OPS conforms to the essential requirements of European Union Directives 2014/53/EU Radio Equipment Directive (RED), 2014/30/EU Electromagnetic Compatibility Directive, 2014/35/EU Low Voltage Directive and 2011/65/EU Restriction of Hazardous Substances in Electrical and Electronic Equipment. Full Declaration of Conformity can be found by searching for TP-2082 at <https://support.prometheanworld.com>.



WARNING

PRM-ACON1-OPS is Class B Product. In a domestic environment, they may cause radio interference in which case the user may be required to take adequate measures.

Waste Electrical and Electronic Equipment (WEEE)

For more information concerning the correct disposal of these products, please contact your Promethean reseller.



Model No: PRM-ACON1-OPS

Europe



PRM-ACON1-OPS

We Promethean Limited, declare under our Sole responsibility that the PRM-ACON1-OPS conforms to the essential requirements of European Union Directives 2014/53/EU Radio Equipment Directive (RED), 2014/30/EU Electromagnetic Compatibility Directive, 2014/35/EU Low Voltage Directive and 2011/65/EU Restriction of Hazardous Substances in Electrical and Electronic Equipment. Full Declaration of Conformity can be found by searching for TP-2082 at <https://support.prometheanworld.com>.

Type	Frequency (MHz)	Max power (dBm)
BT	2402-2480	5.30
Wifi	2412-2472	18.18
Wifi	5180-5240	19.11
SRD	5745-5825	13.64

AT	BE	BG	CZ	DK
EE	FR	DE	IS	IE
IT	EL	ES	CY	LV
LI	LT	LU	HU	MT
NL	NO	PL	PT	RO
SI	SK	TR	FI	SE
CH	UK			

PRM-ACON1-OPS is for internal use only.

The device complies with RF specifications when the device is used at 20 cm from your body.

Promethean Ltd, Promethean House, Lower Phillips Road, Blackburn, Lancashire, BB1 5TH, United Kingdom

Compliance

Europe

We Promethean Limited, declare under our Sole responsibility that the PRM-ACON1-OPS conforms to the essential requirements of European Union Directives 2014/53/EU Radio Equipment Directive (RED), 2014/30/EU Electromagnetic Compatibility Directive, 2014/35/EU Low Voltage Directive and 2011/65/EU Restriction of Hazardous Substances in Electrical and Electronic Equipment. Full Declaration of Conformity can be found by searching for TP-2082 at <https://support.prometheanworld.com>.



WARNING

PRM-ACON1-OPS is Class B Product. In a domestic environment, they may cause radio interference in which case the user may be require to take adequate measures.

Waste Electrical and Electronic Equipment (WEEE)

For more information concerning the correct disposal of these products, please contact your Promethean reseller.



Model No: PRM-ACON1-OPS

Europe



PRM-ACON1-OPS

We Promethean Limited, declare under our Sole responsibility that the PRM-ACON1-OPS conforms to the essential requirements of European Union Directives 2014/53/EU Radio Equipment Directive (RED), 2014/30/EU Electromagnetic Compatibility Directive, 2014/35/EU Low Voltage Directive and 2011/65/EU Restriction of Hazardous Substances in Electrical and Electronic Equipment. Full Declaration of Conformity can be found by searching for TP-2082 at <https://support.prometheanworld.com>.

Type	Frequency (MHz)	Max power (dBm)
BT	2402-2480	5.30
Wifi	2412-2472	18.18
Wifi	5180-5240	19.11
SRD	5745-5825	13.64



PRM-ACON1-OPS is for internal use only.

The device complies with RF specifications when the device is used at 20 cm from your body.

Promethean Ltd, Promethean House, Lower Phillips Road, Blackburn, Lancashire, BB1 5TH, United Kingdom

Compliance

Europe

We Promethean Limited, declare under our Sole responsibility that the PRM-ACON1-OPS conforms to the essential requirements of European Union Directives 2014/53/EU Radio Equipment Directive (RED), 2014/30/EU Electromagnetic Compatibility Directive, 2014/35/EU Low Voltage Directive and 2011/65/EU Restriction of Hazardous Substances in Electrical and Electronic Equipment. Full Declaration of Conformity can be found by searching for TP-2082 at <https://support.prometheanworld.com>.

WARNING
PRM-ACON1-OPS is Class B Product. In a domestic environment, they may cause radio interference in which case the user may be require to take adequate measures.

Waste Electrical and Electronic Equipment (WEEE)

For more information concerning the correct disposal of these products, please contact your Promethean reseller.



Model No: PRM-ACON1-OPS

Europe



PRM-ACON1-OPS

We Promethean Limited, declare under our Sole responsibility that the PRM-ACON1-OPS conforms to the essential requirements of European Union Directives 2014/53/EU Radio Equipment Directive (RED), 2014/30/EU Electromagnetic Compatibility Directive, 2014/35/EU Low Voltage Directive and 2011/65/EU Restriction of Hazardous Substances in Electrical and Electronic Equipment. Full Declaration of Conformity can be found by searching for TP-2082 at <https://support.prometheanworld.com>.

Type	Frequency (MHz)	Max power (dBm)
BT	2402-2480	5.30
Wifi	2412-2472	18.18
Wifi	5180-5240	19.11
SRD	5745-5825	13.64



PRM-ACON1-OPS is for internal use only.



The device complies with RF specifications when the device is used at 20 cm from your body.

Promethean Ltd, Promethean House, Lower Phillips Road, Blackburn, Lancashire, BB1 5TH, United Kingdom

Compliance

Europe

We Promethean Limited, declare under our Sole responsibility that the PRM-ACON1-OPS conforms to the essential requirements of European Union Directives 2014/53/EU Radio Equipment Directive (RED), 2014/30/EU Electromagnetic Compatibility Directive, 2014/35/EU Low Voltage Directive and 2011/65/EU Restriction of Hazardous Substances in Electrical and Electronic Equipment. Full Declaration of Conformity can be found by searching for TP-2082 at <https://support.prometheanworld.com>.



WARNING

PRM-ACON1-OPS is Class B Product. In a domestic environment, they may cause radio interference in which case the user may be require to take adequate measures.

Waste Electrical and Electronic Equipment (WEEE)

For more information concerning the correct disposal of these products, please contact your Promethean reseller.



Model No: PRM-ACON1-OPS

Europe



PRM-ACON1-OPS


We Promethean Limited, declare under our Sole responsibility that the PRM-ACON1-OPS conforms to the essential requirements of European Union Directives 2014/53/EU Radio Equipment Directive (RED), 2014/30/EU Electromagnetic Compatibility Directive, 2014/35/EU Low Voltage Directive and 2011/65/EU Restriction of Hazardous Substances in Electrical and Electronic Equipment. Full Declaration of Conformity can be found by searching for TP-2082 at <https://support.prometheanworld.com>.

Type	Frequency (MHz)	Max power (dBm)
BT	2402-2480	5.30
Wifi	2412-2472	18.18
Wifi	5180-5240	19.11
SRD	5745-5825	13.64



AT	BE	BG	CZ	DK
EE	FR	DE	IS	IE
IT	EL	ES	CY	LV
LI	LT	LU	HU	MT
NL	NO	PL	PT	RO
SI	SK	TR	FI	SE
CH	UK			

PRM-ACON1-OPS is for internal use only.

 The device complies with RF specifications when the device is used at 20 cm from your body.

Promethean Ltd, Promethean House, Lower Phillips Road, Blackburn, Lancashire, BBI 5TH, United Kingdom

Compliance

Europe

We Promethean Limited, declare under our Sole responsibility that the PRM-ACON1-OPS conforms to the essential

requirements of European Union Directives 2014/53/EU Radio Equipment Directive (RED), 2014/30/EU Electromagnetic Compatibility Directive, 2014/35/EU Low Voltage Directive and 2011/65/EU Restriction of Hazardous Substances in Electrical and Electronic Equipment. Full Declaration of Conformity can be found by searching for TP-2082 at <https://support.prometheanworld.com>.



WARNING

PRM-ACON1-OPS is Class B Product. In a domestic environment, they may cause radio interference in which case the user may be require to take adequate measures.

Waste Electrical and Electronic Equipment (WEEE)

For more information concerning the correct disposal of these products, please contact your Promethean reseller.



Model No: PRM-ACON1-OPS

Europe




PRM-ACON1-OPS

We Promethean Limited, declare under our Sole responsibility that the PRM-ACON1-OPS conforms to the essential requirements of European Union Directives 2014/53/EU Radio Equipment Directive (RED), 2014/30/EU Electromagnetic Compatibility Directive, 2014/35/EU Low Voltage Directive and 2011/65/EU Restriction of Hazardous Substances in Electrical and Electronic Equipment. Full Declaration of Conformity can be found by searching for TP-2082 at <https://support.prometheanworld.com>.

Type	Frequency (MHz)	Max power (dBm)
BT	2402-2480	5.30
Wifi	2412-2472	18.18
Wifi	5180-5240	19.11
SRD	5745-5825	13.64

				
AT	BE	BG	CZ	DK
EE	FR	DE	IS	IE
IT	EL	ES	CY	LV
LI	LT	LU	HU	MT
NL	NO	PL	PT	RO
SI	SK	TR	FI	SE
CH	UK			

PRM-ACON1-OPS is for internal use only.

 The device complies with RF specifications when the device is used at 20 cm from your body.

Promethean Ltd, Promethean House, Lower Phillips Road, Blackburn, Lancashire, BB1 5TH, United Kingdom

Compliance

Europe

We Promethean Limited, declare under our Sole responsibility that the PRM-ACON1-OPS conforms to the essential requirements of European Union Directives 2014/53/EU Radio Equipment Directive (RED), 2014/30/EU Electromagnetic Compatibility Directive, 2014/35/EU Low Voltage Directive and 2011/65/EU Restriction of Hazardous Substances in Electrical and Electronic Equipment. Full Declaration of Conformity can be found by searching for TP-2082 at <https://support.prometheanworld.com>.

 **WARNING**
PRM-ACON1-OPS is Class B Product. In a domestic environment, they may cause radio interference in which case the user may be require to take adequate measures.

Waste Electrical and Electronic Equipment (WEEE)

For more information concerning the correct disposal of these products, please contact your Promethean reseller.



Model No: PRM-ACON1-OPS

Europe



PRM-ACON1-OPS

We Promethean Limited, declare under our Sole responsibility that the PRM-ACON1-OPS conforms to the essential requirements of European Union Directives 2014/53/EU Radio Equipment Directive (RED), 2014/30/EU Electromagnetic Compatibility Directive, 2014/35/EU Low Voltage Directive and 2011/65/EU Restriction of Hazardous Substances in Electrical and Electronic Equipment. Full Declaration of Conformity can be found by searching for TP-2082 at <https://support.prometheanworld.com>.

Type	Frequency (MHz)	Max power (dBm)
BT	2402-2480	5.30
Wifi	2412-2472	18.18
Wifi	5180-5240	19.11
SRD	5745-5825	13.64



PRM-ACON1-OPS is for internal use only.



The device complies with RF specifications when the device is used at 20 cm from your body.

Promethean Ltd, Promethean House, Lower Phillips Road, Blackburn, Lancashire, BB1 5TH, United Kingdom

Compliance

Europe

We Promethean Limited, declare under our Sole responsibility that the PRM-ACON1-OPS conforms to the essential requirements of European Union Directives 2014/53/EU Radio Equipment Directive (RED), 2014/30/EU Electromagnetic Compatibility Directive, 2014/35/EU Low Voltage Directive and 2011/65/EU Restriction of Hazardous Substances in Electrical and Electronic Equipment. Full Declaration of Conformity can be found by searching for TP-2082 at <https://support.prometheanworld.com>.



WARNING

PRM-ACON1-OPS is Class B Product. In a domestic environment, they may cause radio interference in which case the user may be required to take adequate measures.

Waste Electrical and Electronic Equipment (WEEE)

For more information concerning the correct disposal of these products, please contact your Promethean reseller.



Model No: PRM-ACON1-OPS

Europe



PRM-ACON1-OPS

We Promethean Limited, declare under our Sole responsibility that the PRM-ACON1-OPS conforms to the essential requirements of European Union Directives 2014/53/EU Radio Equipment Directive (RED), 2014/30/EU Electromagnetic Compatibility Directive, 2014/35/EU Low Voltage Directive and 2011/65/EU Restriction of Hazardous Substances in Electrical and Electronic Equipment. Full Declaration of Conformity can be found by searching for TP-2082 at <https://support.prometheanworld.com>.

Type	Frequency (MHz)	Max power (dBm)
BT	2402-2480	5.30
Wifi	2412-2472	18.18
Wifi	5180-5240	19.11
SRD	5745-5825	13.64

AT	BE	BG	CZ	DK
EE	FR	DE	IS	IE
IT	EL	ES	CY	LV
LI	LT	LU	HU	MT
NL	NO	PL	PT	RO
SI	SK	TR	FI	SE
CH	UK			

PRM-ACON1-OPS is for internal use only.

The device complies with RF specifications when the device is used at 20 cm from your body.

Promethean Ltd, Promethean House, Lower Phillips Road, Blackburn, Lancashire, BB1 5TH, United Kingdom

Compliance

Europe

We Promethean Limited, declare under our Sole responsibility that the PRM-ACON1-OPS conforms to the essential requirements of European Union Directives 2014/53/EU Radio Equipment Directive (RED), 2014/30/EU Electromagnetic Compatibility Directive, 2014/35/EU Low Voltage Directive and 2011/65/EU Restriction of Hazardous Substances in Electrical and Electronic Equipment. Full Declaration of Conformity can be found by searching for TP-2082 at <https://support.prometheanworld.com>.



WARNING

PRM-ACON1-OPS is Class B Product. In a domestic environment, they may cause radio interference in which case the user may be require to take adequate measures.

Waste Electrical and Electronic Equipment (WEEE)

For more information concerning the correct disposal of these products, please contact your Promethean reseller.



Model No: PRM-ACON1-OPS

Europe



PRM-ACON1-OPS

We Promethean Limited, declare under our Sole responsibility that the PRM-ACON1-OPS conforms to the essential requirements of European Union Directives 2014/53/EU Radio Equipment Directive (RED), 2014/30/EU Electromagnetic Compatibility Directive, 2014/35/EU Low Voltage Directive and 2011/65/EU Restriction of Hazardous Substances in Electrical and Electronic Equipment. Full Declaration of Conformity can be found by searching for TP-2082 at <https://support.prometheanworld.com>.

Type	Frequency (MHz)	Max power (dBm)
BT	2402-2480	5.30
Wifi	2412-2472	18.18
Wifi	5180-5240	19.11
SRD	5745-5825	13.64



PRM-ACON1-OPS is for internal use only.

The device complies with RF specifications when the device is used at 20 cm from your body.

Promethean Ltd, Promethean House, Lower Phillips Road, Blackburn, Lancashire, BB1 5TH, United Kingdom

Compliance

Europe

We Promethean Limited, declare under our Sole responsibility that the PRM-ACON1-OPS conforms to the essential requirements of European Union Directives 2014/53/EU Radio Equipment Directive (RED), 2014/30/EU Electromagnetic Compatibility Directive, 2014/35/EU Low Voltage Directive and 2011/65/EU Restriction of Hazardous Substances in Electrical and Electronic Equipment. Full Declaration of Conformity can be found by searching for TP-2082 at <https://support.prometheanworld.com>.

WARNING
PRM-ACON1-OPS is Class B Product. In a domestic environment, they may cause radio interference in which case the user may be require to take adequate measures.

Waste Electrical and Electronic Equipment (WEEE)

For more information concerning the correct disposal of these products, please contact your Promethean reseller.



Model No: PRM-ACON1-OPS

Europe



PRM-ACON1-OPS

We Promethean Limited, declare under our Sole responsibility that the PRM-ACON1-OPS conforms to the essential requirements of European Union Directives 2014/53/EU Radio Equipment Directive (RED), 2014/30/EU Electromagnetic Compatibility Directive, 2014/35/EU Low Voltage Directive and 2011/65/EU Restriction of Hazardous Substances in Electrical and Electronic Equipment. Full Declaration of Conformity can be found by searching for TP-2082 at <https://support.prometheanworld.com>.

Type	Frequency (MHz)	Max power (dBm)
BT	2402-2480	5.30
Wifi	2412-2472	18.18
Wifi	5180-5240	19.11
SRD	5745-5825	13.64



PRM-ACON1-OPS is for internal use only.



The device complies with RF specifications when the device is used at 20 cm from your body.

Promethean Ltd, Promethean House, Lower Phillips Road, Blackburn, Lancashire, BB1 5TH, United Kingdom

Compliance

Europe

We Promethean Limited, declare under our Sole responsibility that the PRM-ACON1-OPS conforms to the essential requirements of European Union Directives 2014/53/EU Radio Equipment Directive (RED), 2014/30/EU Electromagnetic Compatibility Directive, 2014/35/EU Low Voltage Directive and 2011/65/EU Restriction of Hazardous Substances in Electrical and Electronic Equipment. Full Declaration of Conformity can be found by searching for TP-2082 at <https://support.prometheanworld.com>.



WARNING

PRM-ACON1-OPS is Class B Product. In a domestic environment, they may cause radio interference in which case the user may be required to take adequate measures.

Waste Electrical and Electronic Equipment (WEEE)

For more information concerning the correct disposal of these products, please contact your Promethean reseller.



Model No: PRM-ACON1-OPS

Europe



PRM-ACON1-OPS

We Promethean Limited, declare under our Sole responsibility that the PRM-ACON1-OPS conforms to the essential requirements of European Union Directives 2014/53/EU Radio Equipment Directive (RED), 2014/30/EU Electromagnetic Compatibility Directive, 2014/35/EU Low Voltage Directive and 2011/65/EU Restriction of Hazardous Substances in Electrical and Electronic Equipment. Full Declaration of Conformity can be found by searching for TP-2082 at <https://support.prometheanworld.com>.

Type	Frequency (MHz)	Max power (dBm)
BT	2402-2480	5.30
Wifi	2412-2472	18.18
Wifi	5180-5240	19.11
SRD	5745-5825	13.64

AT	BE	BG	CZ	DK
EE	FR	DE	IS	IE
IT	EL	ES	CY	LV
LI	LT	LU	HU	MT
NL	NO	PL	PT	RO
SI	SK	TR	FI	SE
CH	UK			

PRM-ACON1-OPS is for internal use only.

The device complies with RF specifications when the device is used at 20 cm from your body.

Promethean Ltd, Promethean House, Lower Phillips Road, Blackburn, Lancashire, BB1 5TH, United Kingdom

Compliance

Europe

We Promethean Limited, declare under our Sole responsibility that the PRM-ACON1-OPS conforms to the essential requirements of European Union Directives 2014/53/EU Radio Equipment Directive (RED), 2014/30/EU Electromagnetic Compatibility Directive, 2014/35/EU Low Voltage Directive and 2011/65/EU Restriction of Hazardous Substances in Electrical and Electronic Equipment. Full Declaration of Conformity can be found by searching for TP-2082 at <https://support.prometheanworld.com>.



WARNING

PRM-ACON1-OPS is Class B Product. In a domestic environment, they may cause radio interference in which case the user may be require to take adequate measures.

Waste Electrical and Electronic Equipment (WEEE)

For more information concerning the correct disposal of these products, please contact your Promethean reseller.



Model No: PRM-ACON1-OPS

Europe




PRM-ACON1-OPS

We Promethean Limited, declare under our Sole responsibility that the PRM-ACON1-OPS conforms to the essential requirements of European Union Directives 2014/53/EU Radio Equipment Directive (RED), 2014/30/EU Electromagnetic Compatibility Directive, 2014/35/EU Low Voltage Directive and 2011/65/EU Restriction of Hazardous Substances in Electrical and Electronic Equipment. Full Declaration of Conformity can be found by searching for TP-2082 at <https://support.prometheanworld.com>.

Type	Frequency (MHz)	Max power (dBm)
BT	2402-2480	5.30
Wifi	2412-2472	18.18
Wifi	5180-5240	19.11
SRD	5745-5825	13.64



PRM-ACON1-OPS is for internal use only.


 The device complies with RF specifications when the device is used at 20 cm from your body.

Promethean Ltd, Promethean House, Lower Phillips Road, Blackburn, Lancashire, BB1 5TH, United Kingdom

Compliance

Europe

We Promethean Limited, declare under our Sole responsibility that the PRM-ACON1-OPS conforms to the essential requirements of European Union Directives 2014/53/EU Radio Equipment Directive (RED), 2014/30/EU Electromagnetic Compatibility Directive, 2014/35/EU Low Voltage Directive and 2011/65/EU Restriction of Hazardous Substances in Electrical and Electronic Equipment. Full Declaration of Conformity can be found by searching for TP-2082 at <https://support.prometheanworld.com>.

 **WARNING**
PRM-ACON1-OPS is Class B Product. In a domestic environment, they may cause radio interference in which case the user may be require to take adequate measures.

Waste Electrical and Electronic Equipment (WEEE)

For more information concerning the correct disposal of these products, please contact your Promethean reseller.



Model No: PRM-ACON1-OPS

Europe



PRM-ACON1-OPS

We Promethean Limited, declare under our Sole responsibility that the PRM-ACON1-OPS conforms to the essential requirements of European Union Directives 2014/53/EU Radio Equipment Directive (RED), 2014/30/EU Electromagnetic Compatibility Directive, 2014/35/EU Low Voltage Directive and 2011/65/EU Restriction of Hazardous Substances in Electrical and Electronic Equipment. Full Declaration of Conformity can be found by searching for TP-2082 at <https://support.prometheanworld.com>.

Type	Frequency (MHz)	Max power (dBm)
BT	2402-2480	5.30
Wifi	2412-2472	18.18
Wifi	5180-5240	19.11
SRD	5745-5825	13.64



AT	BE	BG	CZ	DK
EE	FR	DE	IS	IE
IT	EL	ES	CY	LV
LI	LT	LU	HU	MT
NL	NO	PL	PT	RO
SI	SK	TR	FI	SE
CH	UK			

PRM-ACON1-OPS is for internal use only.



The device complies with RF specifications when the device is used at 20 cm from your body.

Promethean Ltd, Promethean House, Lower Phillips Road, Blackburn, Lancashire, BB1 5TH, United Kingdom

Compliance

Europe

We Promethean Limited, declare under our Sole responsibility that the PRM-ACON1-OPS conforms to the essential requirements of European Union Directives 2014/53/EU Radio Equipment Directive (RED), 2014/30/EU Electromagnetic Compatibility Directive, 2014/35/EU Low Voltage Directive and 2011/65/EU Restriction of Hazardous Substances in Electrical and Electronic Equipment. Full Declaration of Conformity can be found by searching for TP-2082 at <https://support.prometheanworld.com>.



WARNING

PRM-ACON1-OPS is Class B Product. In a domestic environment, they may cause radio interference in which case the user may be required to take adequate measures.

Waste Electrical and Electronic Equipment (WEEE)

For more information concerning the correct disposal of these products, please contact your Promethean reseller.



Model No: PRM-ACON1-OPS

Europe



PRM-ACON1-OPS

We Promethean Limited, declare under our Sole responsibility that the PRM-ACON1-OPS conforms to the essential requirements of European Union Directives 2014/53/EU Radio Equipment Directive (RED), 2014/30/EU Electromagnetic Compatibility Directive, 2014/35/EU Low Voltage Directive and 2011/65/EU Restriction of Hazardous Substances in Electrical and Electronic Equipment. Full Declaration of Conformity can be found by searching for TP-2082 at <https://support.prometheanworld.com>.

Type	Frequency (MHz)	Max power (dBm)
BT	2402-2480	5.30
Wifi	2412-2472	18.18
Wifi	5180-5240	19.11
SRD	5745-5825	13.64

AT	BE	BG	CZ	DK
EE	FR	DE	IS	IE
IT	EL	ES	CY	LV
LI	LT	LU	HU	MT
NL	NO	PL	PT	RO
SI	SK	TR	FI	SE
CH	UK			

PRM-ACON1-OPS is for internal use only.

The device complies with RF specifications when the device is used at 20 cm from your body.

Promethean Ltd, Promethean House, Lower Phillips Road, Blackburn, Lancashire, BB1 5TH, United Kingdom

Compliance

Europe

We Promethean Limited, declare under our Sole responsibility that the PRM-ACON1-OPS conforms to the essential requirements of European Union Directives 2014/53/EU Radio Equipment Directive (RED), 2014/30/EU Electromagnetic Compatibility Directive, 2014/35/EU Low Voltage Directive and 2011/65/EU Restriction of Hazardous Substances in Electrical and Electronic Equipment. Full Declaration of Conformity can be found by searching for TP-2082 at <https://support.prometheanworld.com>.



WARNING

PRM-ACON1-OPS is Class B Product. In a domestic environment, they may cause radio interference in which case the user may be require to take adequate measures.

Waste Electrical and Electronic Equipment (WEEE)

For more information concerning the correct disposal of these products, please contact your Promethean reseller.



Model No: PRM-ACON1-OPS

Europe




PRM-ACON1-OPS

We Promethean Limited, declare under our Sole responsibility that the PRM-ACON1-OPS conforms to the essential requirements of European Union Directives 2014/53/EU Radio Equipment Directive (RED), 2014/30/EU Electromagnetic Compatibility Directive, 2014/35/EU Low Voltage Directive and 2011/65/EU Restriction of Hazardous Substances in Electrical and Electronic Equipment. Full Declaration of Conformity can be found by searching for TP-2082 at <https://support.prometheanworld.com>.

Type	Frequency (MHz)	Max power (dBm)
BT	2402-2480	5.30
Wifi	2412-2472	18.18
Wifi	5180-5240	19.11
SRD	5745-5825	13.64



PRM-ACON1-OPS is for internal use only.


 The device complies with RF specifications when the device is used at 20 cm from your body.

Promethean Ltd, Promethean House, Lower Phillips Road, Blackburn, Lancashire, BB1 5TH, United Kingdom

Compliance

Europe

We Promethean Limited, declare under our Sole responsibility that the PRM-ACON1-OPS conforms to the essential requirements of European Union Directives 2014/53/EU Radio Equipment Directive (RED), 2014/30/EU Electromagnetic Compatibility Directive, 2014/35/EU Low Voltage Directive and 2011/65/EU Restriction of Hazardous Substances in Electrical and Electronic Equipment. Full Declaration of Conformity can be found by searching for TP-2082 at <https://support.prometheanworld.com>.

 **WARNING**
PRM-ACON1-OPS is Class B Product. In a domestic environment, they may cause radio interference in which case the user may be require to take adequate measures.

Waste Electrical and Electronic Equipment (WEEE)

For more information concerning the correct disposal of these products, please contact your Promethean reseller.



Model No: PRM-ACON1-OPS

Europe



PRM-ACON1-OPS


We Promethean Limited, declare under our Sole responsibility that the PRM-ACON1-OPS conforms to the essential requirements of European Union Directives 2014/53/EU Radio Equipment Directive (RED), 2014/30/EU Electromagnetic Compatibility Directive, 2014/35/EU Low Voltage Directive and 2011/65/EU Restriction of Hazardous Substances in Electrical and Electronic Equipment. Full Declaration of Conformity can be found by searching for TP-2082 at <https://support.prometheanworld.com>.

Type	Frequency (MHz)	Max power (dBm)
BT	2402-2480	5.30
Wifi	2412-2472	18.18
Wifi	5180-5240	19.11
SRD	5745-5825	13.64



AT	BE	BG	CZ	DK
EE	FR	DE	IS	IE
IT	EL	ES	CY	LV
LI	LT	LU	HU	MT
NL	NO	PL	PT	RO
SI	SK	TR	FI	SE
CH	UK			

PRM-ACON1-OPS is for internal use only.

 The device complies with RF specifications when the device is used at 20 cm from your body.

Promethean Ltd, Promethean House, Lower Phillips Road, Blackburn, Lancashire, BB1 5TH, United Kingdom

Compliance

Europe

We Promethean Limited, declare under our Sole responsibility that the PRM-ACON1-OPS conforms to the essential requirements of European Union Directives 2014/53/EU Radio Equipment Directive (RED), 2014/30/EU Electromagnetic Compatibility Directive, 2014/35/EU Low Voltage Directive and 2011/65/EU Restriction of Hazardous Substances in Electrical and Electronic Equipment. Full Declaration of Conformity can be found by searching for TP-2082 at <https://support.prometheanworld.com>.



WARNING

PRM-ACON1-OPS is Class B Product. In a domestic environment, they may cause radio interference in which case the user may be require to take adequate measures.

Waste Electrical and Electronic Equipment (WEEE)

For more information concerning the correct disposal of these products, please contact your Promethean reseller.



Model No: PRM-ACON1-OPS

Europe



PRM-ACON1-OPS

We Promethean Limited, declare under our Sole responsibility that the PRM-ACON1-OPS conforms to the essential requirements of European Union Directives 2014/53/EU Radio Equipment Directive (RED), 2014/30/EU Electromagnetic Compatibility Directive, 2014/35/EU Low Voltage Directive and 2011/65/EU Restriction of Hazardous Substances in Electrical and Electronic Equipment. Full Declaration of Conformity can be found by searching for TP-2082 at <https://support.prometheanworld.com>.

Type	Frequency (MHz)	Max power (dBm)
BT	2402-2480	5.30
Wifi	2412-2472	18.18
Wifi	5180-5240	19.11
SRD	5745-5825	13.64

AT	BE	BG	CZ	DK
EE	FR	DE	IS	IE
IT	EL	ES	CY	LV
LI	LT	LU	HU	MT
NL	NO	PL	PT	RO
SI	SK	TR	FI	SE
CH	UK			

PRM-ACON1-OPS is for internal use only.

The device complies with RF specifications when the device is used at 20 cm from your body.

Promethean Ltd, Promethean House, Lower Phillips Road, Blackburn, Lancashire, BB1 5TH, United Kingdom

Compliance

Europe

We Promethean Limited, declare under our Sole responsibility that the PRM-ACON1-OPS conforms to the essential requirements of European Union Directives 2014/53/EU Radio Equipment Directive (RED), 2014/30/EU Electromagnetic Compatibility Directive, 2014/35/EU Low Voltage Directive and 2011/65/EU Restriction of Hazardous Substances in Electrical and Electronic Equipment. Full Declaration of Conformity can be found by searching for TP-2082 at <https://support.prometheanworld.com>.



WARNING

PRM-ACON1-OPS is Class B Product. In a domestic environment, they may cause radio interference in which case the user may be require to take adequate measures.

Waste Electrical and Electronic Equipment (WEEE)

For more information concerning the correct disposal of these products, please contact your Promethean reseller.



Model No: PRM-ACON1-OPS

Europe




PRM-ACON1-OPS

We Promethean Limited, declare under our Sole responsibility that the PRM-ACON1-OPS conforms to the essential requirements of European Union Directives 2014/53/EU Radio Equipment Directive (RED), 2014/30/EU Electromagnetic Compatibility Directive, 2014/35/EU Low Voltage Directive and 2011/65/EU Restriction of Hazardous Substances in Electrical and Electronic Equipment. Full Declaration of Conformity can be found by searching for TP-2082 at <https://support.prometheanworld.com>.

Type	Frequency (MHz)	Max power (dBm)
BT	2402-2480	5.30
Wifi	2412-2472	18.18
Wifi	5180-5240	19.11
SRD	5745-5825	13.64



PRM-ACON1-OPS is for internal use only.

 The device complies with RF specifications when the device is used at 20 cm from your body.

Promethean Ltd, Promethean House, Lower Phillips Road, Blackburn, Lancashire, BB1 5TH, United Kingdom

IC STATEMENT

This device complies with Industry Canada's licence-exempt RSSs. Operation is subject to the following two conditions:

- (1) This device may not cause interference; and
- (2) This device must accept any interference, including interference that may cause undesired operation of the device.

Cet appareil est conforme aux CNR exemptes de licence d'Industrie Canada . Son fonctionnement est soumis aux deux conditions suivantes :

- (1) Ce dispositif ne peut causer d'interférences ; et
- (2) Ce dispositif doit accepter toute interférence , y compris les interférences qui peuvent causer un mauvais fonctionnement de l'appareil.

Operation in 5.15-5.25 GHz band is restricted for indoor use only.

This product must be installed and operated with a minimum distance of 20 cm between the radiator and user body. Cette produit doit être installé et utilisé à une distance minimum de 20 cm entre le radiateur et le corps de l'utilisateur.

FCC STATEMENT

This device complies with Part 15 of the FCC rules. Operation is subject to the following two conditions: 1) this device may not cause harmful interference, and 2) this device must accept any interference received, including interference that may cause undesired operation.

Note: This equipment has been tested and found to comply with the limits for a Class B digital device, pursuant to part 15 of the FCC Rules. These limits are designed to provide reasonable protection against harmful interference in a residential installation. This equipment generates, uses and can radiate radio frequency energy and, if not installed and used in accordance with the instructions, may cause harmful interference to radio communications. However, there is no guarantee that interference will not occur in a particular installation. If this equipment does cause harmful interference to radio or television reception, which can be determined by turning the equipment off and on, the user is encouraged to try to correct the interference by one or more of the following measures:

- Reorient or relocate the receiving antenna.
- Increase the separation between the equipment and receiver.
- Connect the equipment into an outlet on a circuit different from that to which the receiver is connected.
- Consult the dealer or an experienced radio/TV technician for help.

Operation in 5.15-5.25 GHz band is restricted for indoor use only.

Changes or modifications not expressly approved by the party responsible for compliance could void the user's authority to operate the equipment.

This product must be installed and operated with a minimum distance of 20 cm between the radiator and user body.