
Table of Contents

IMPORTANT SAFEGUARDS.....	I
1. Introduction.....	1
1.1 General Information.....	1
1.2 Features.....	2
2. Installation.....	3
2.1 Package.....	3
2.2 Precautions	4
2.3 Swivel base.....	4
2.4 How to install/remove the swivel base.....	5
3. Connection to the computer.....	7
3.1 Connecting the signal cable and the power cable.....	7
3.2 Connecting the microphone and speaker cable(optional).....	8
4. Front control location and functions.....	10
4.1 Operation.....	11
4.2 Adjusting and programming.....	12
4.3 Built-in microphone(optional).....	14
4.4 Safety protection.....	14
4.5 Timing guide.....	15
4.6 Power management.....	16
4.7 Plug and Play(optional).....	17
5. Technical information.....	18
5.1 Products specifications.....	18
5.2 Signal connector pin assignment.....	19
6. Troubleshooting.....	20
FEDERAL COMMUNICATIONS COMMISSION(F.C.C)	
STATEMENT.....	21

IMPORTANT SAFEGUARDS

Warnings:

1. Read all of these instructions. Save these instructions for later use, Please.
2. Follow all warning and instructions marked on the product.
3. Unplug this monitor from the wall outlet before cleaning. Do not use liquid cleaners or aerosol cleaners. Use a damp cloth for cleaning.
4. Do not use attachments not recommended by the monitor manufacturer as they may cause hazards.
5. Do not use this monitor near water. For example near a bathtub, washbowl, kitchen sink, or laundry tub, in a wet basement, or near a swimming pool, etc...
6. Do not place this monitor on an unstable cart, stand, or table. The monitor may fall, causing serious injury to a child or adult, and serious damage to the appliance. Use only with a cart or stand recommended by the manufacturer or sold with monitor. Wall or shelf mounting should follow the manufacturer's instructions, and should use a mounting kit approved by the manufacturer.
7. Slots and openings in the cabinet and the back or bottom are provided for ventilation, and to insure reliable operation of the television receiver and to protect it from overheating, these openings must not be blocked or covered. The openings should never be blocked by placing the monitor on a bed, sofa, rug, or other similar surface. This monitor should never be placed near or over a radiator or heat register. This monitor should not be placed in built-in installation such as a bookcase unless proper ventilation is provided.
8. This monitor should be operated only from the type of power source indicated on the marking label. If you are not sure of the type of power supplied in your home, consult your monitor dealer or local power company.
9. This monitor is equipped with a three-wire grounding type plug, a plug having a third (grounding) pin. This plug will only fit into a grounding-type power outlet. This is a safety feature. If you are unable to insert the plug into the outlet, contact your electrician to replace your obsolete outlet. Do not defeat the safety purpose of the grounding-type plug.
10. Do not allow anything to rest on the power cord. Do not locate this monitor where the cord will be abused by persons working on it.

RESET

Press "▼" + "▲" keys together for the reset function to be effective. Meanwhile all of the parameter status will be return to the original status set by factory.

NOTE: 1. Only using factory preset video mode can use this function.
2. You can get the preset mode chapter 4.5-Timing Guide.

Degauss

Press "◀" + "▶" keys together for the degauss function. This function can eliminate the build-up of stray magnetic fields which alter the correct scan of the electron beams and affect the purity of the screen colors, focus and convergence. when pressed, your image will jump and wave a bit as the screen is demagnetized.

4.3 Built-in microphone (on same models)

Use the built-in microphone to optimize speakerphone functionality, used with multimedia computers.

4.4 Safety Protection

The safety protection function is to protect the monitor. when the frequency of the video signal from the computer is out of range, (please refer to monitor "specifications"). The monitor will protect by itself and the power LED will quickly flash, warning you to reset the monitor type on your computer.

4.5 Timing guide

This multi-scanning monitor can automatically detect and display several video modes. This monitor offers 7 factory preset modes that cover most of the common video modes supported by popular graphics adapters. If the monitor recognizes one of the preset timing signals, it will recall that mode and any other stored display adjustments you have made.

The monitor is preset with 7 modes for optional display size and centering as indicated in the following table:

Item	Mode	Resolution (dots x lines)	Horizontal Freq.(kHz)	Vertical Freq.(Hz)	Remark
1	IBM/VGA	720 x 400	31.47	70	Non-interlaced
2	IBM/VGA	640 x 480	31.47	60	Non-interlaced
3	VESA/75	640 x 480	37.50	75	Non-interlaced
4	VESA/85	640 x 480	43.27	85	Non-interlaced
5	VESA/75	800 x 600	46.88	75	Non-interlaced
6	VESA/85	800 x 600	53.67	85	Non-interlaced
7	VESA/60	1024 x 768	48.36	60	Non-interlaced

6. Troubleshooting

If your monitor does not perform properly, use the following troubleshooting guide for quick solutions to common problems. If the problem persists, call the dealer where you purchased the monitor.

No Picture:

Check these items:

- Power cord and signal cable are securely connected.
- Monitor in power Save mode?
- Adjust the brightness and contrast controls.

Display image is too large or small:

- Use the function keys to adjust the image.

Picture is scrolling too unstable:

- Signal cable should be completely attached to the computer.
- Check the signal cable pin assignments incorrect?

Color is abnormal:

- Magnetic object nearby?
- Signal cable pin assignments incorrect?
- Signal cable properly connected?

The built - in microphone does not operate:

- Connect the microphone cable correctly.
- Distance too far? Speak into the microphone is a normal voice from a distance of 30-50cm (12"-20")

Image is not correctly shaped:

- A new video mode is selected.
- User control has not yet been adjusted. Use the function keys to adjust the image.

FEDERAL COMMUNICATIONS COMMISSION(F.C.C) STATEMENT

This equipment has been tested and found to comply with the limits of a Class B digital device, pursuant to Part 15 of the FCC Rules. These limits are designed to provide reasonable protection against harmful interference in a residential installation. This equipment generates, uses and can radiate radio frequency energy and, if not installed and used in accordance with the instructions, may cause harmful interference to radio communications. However, there is no guarantee that interference will not occur in a particular installation. If this equipment does cause harmful interference to radio or television reception, which can be determined by turning the equipment off and on, the user is encouraged to try to correct the interference by one or more of the following measures:

1. Reorient/Relocate the receiving antenna.
2. Increase the separation between the equipment and receiver.
3. Connect the equipment into an outlet on a circuit different from that to which the receiver is connected.
4. Consult the dealer of an experienced radio/TV technician for help.

CAUTION: Changes or modifications not expressly approved by the manufacturer responsible for compliance could void the user's authority to operate the equipment.

NOTE: The use of a non-shielded interface cable with this equipment is prohibited.

(A) New mode

- The monitor reserved for 13 new modes in case non-standard video modes are used. If the input signal is different from our factory-preset modes, the new timing data will automatically be stored. However, the displayed parameters may need to be adjusted and can't be RESET.

4.6 Power management

This monitor meets VESA DPMS (Display Power Management Signaling) standards, and complies with both the EPA'S Energy Star requirements and Europe's TCO/NUTEK'S power management. the following is the description of the power indicator for the power saving modes.

Power Management Definition					
VESA DPMS				POWER SAVING STATES	POWER INDICATOR
MODE	VIDEO	H-SYNC	V-SYNC	POWER USED	
ON	Active	Yes	Yes	<65 watts	Normal
Stand-by	Blanked	No	Yes	<15 watts	Flash every 0.7second
Suspend	Blanked	Yes	No	<15 watts	Flash every 0.7 second
OFF	Blanked	No	No	<8 watts	Flash every 2 second

NOTE: 1. This monitor is Energy Star compliant when used with a computer equipped with DPMS



2. The monitor automatically goes through the power management step when it is idle. To release the monitor from the power saving condition, press any key on the keyboard or mouse.
3. Manual off - push the power knob manually, the monitor will go to soft power off state, led will goes off & reserve very low power consumption.

4.7 Plug and Play (optional)

This monitor features the VESA DDC (Display Data Channel) standard which, when used with a DDC compatible video card, will simplify the monitor's set Up. With VESA DDC 1/2B, when the monitor is powered up, it will automatically notify a windows 95/98/2000 host computer of its scanning frequencies, capabilities and characteristics. windows 95/98/2000 will automatically recognize the connection of the monitor and select the appropriate display resolution.

-
11. For added protection for this monitor, when it is left unattended and unused for long periods of time, unplug it from the wall outlet. This will prevent damage to the monitor due to power-line surges.
 12. Do not overload wall outlets and extension cords as this can result into fire or electric shock.
 13. Never push objects of any kind into this monitor through cabinet slots as they may touch dangerous voltage points or short out parts that could result in a fire or electric shock. Never spill liquid of any kind on the monitor.
 14. Do not attempt to service this monitor yourself since opening or removing covers may expose you to dangerous voltage or other hazards. Refer all servicing to qualified service personnel.
 15. Unplug this monitor from the wall outlet and refer servicing to qualified service personnel under the following conditions:
 - a. When the power cord or plug is damaged or frayed.
 - b. If liquid has been spilled into the monitor.
 - c. If the monitor has been exposed to rain or water.
 - d. If the monitor does not operate normally by following the operating instructions. Adjust only those controls that are covered by the operating instructions as improper adjustment of other controls, may result in damage and will often require extensive work by a qualified technician to restore the monitor to normal operation.
 - e. If the monitor has been dropped or the cabinet has been damaged.
 - f. When the monitor exhibits a distinct change in performance this indicated a need for service.
 16. When replacement parts are required, be sure the service technician has used replacement parts specified by the manufacturer that have the same characteristics as the original parts. Unauthorized substitutions may result in fire, electric shock, or other hazards.
 17. Upon completion of any service or repairs to this monitor, ask the service technician to perform routine safety checks to determine that the monitor is in safe operating condition.
 18. The socket outlet shall be near the equipment and shall be easily accessible.
 19. The power supply cord is used as the main disconnect device.

Wichtige Sicherheitshinweise

Achtung:

1. Lesen Sie alle folgenden Hinweise. Bewahren Sie diese Hinweise zum späteren Gebrauch auf.
2. Befolgen Sie alle Warnungen und Hinweise, die sich auf dem Monitor befinden.
3. Bevor Sie den Monitor reinigen, ziehen Sie bitte den Netzstecker. Benutzen Sie keine scharfen Reinigungsmittel. Verwenden Sie ein weiches Tuch für die Reinigung.
4. Verwenden Sie nur vom Hersteller freigegebene Zusatzgeräte, da Ihr Monitor sonst beschädigt werden kann.
5. Betreiben Sie den Monitor nicht in einer feuchten Umgebung oder in der Nähe von Wasser.
6. Stellen Sie den Monitor nicht an einem unsicheren Standort auf. Der Monitor kann zu Boden fallen und dabei schwere Verletzungen verursachen. Verwenden Sie nur einen vom Hersteller freigegebenen und mit dem Monitor zusammen gekauften Monitorfuss. Wenn Sie den Monitor direkt an der Wand befestigen, verwenden Sie nur einen vom Hersteller freigegebenen Befestigungsset und befolgen Sie die Gebrauchsanweisung.
7. Belüftungsschlitze und Öffnungen am Gehäuse und auf der Rückseite des Monitors dienen zur Kühlung und sind notwendig, um den Monitor vor Überhitzung zu schützen. Deshalb dürfen diese Öffnungen nicht blockiert werden. Wenn der Monitor in einem geschlossenem Schrak oder Bord betrieben wird, ist auf eine ausreichende Belüftung zu achten. Der Monitor darf nicht neben oder auf einem Heizkörper aufgestellt werden.
8. Dieser Monitor darf nur mit der auf der Rückseite angegebenen Spannung betrieben werden.
9. Dieser Monitor ist mit einem dreirädrigen Stromkabel ausgestattet, der Stecker ist geerdet. Dies dient Ihrer Sicherheit. Wenn der Stecker nicht in die Steckdose passt, lassen Sie sich von einem Elektriker eine neue Steckdose mit Schutzerdung installieren. Umgehen Sie nicht die Schutzfunktion der Erdung.
10. Achten Sie darauf, dass sich keine Gegenstände auf dem Stromkabel befinden. Der Monitor muss so aufgestellt werden, dass niemand auf die Kabel treten kann.

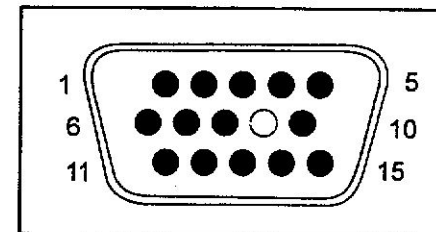
5. Technical information

5.1 Products specifications

Mode	558 Series
Picture tube	15 inch
Size:	15 inch(38.10cm) diagonal
Dot pitch:	0.28 mm
Surface/transmission:	Tinted screen glass
Maximum viewable area	13.70 inch (34.80cm) diagonal
Display size (factory setting)	260mm (H)x190mm(V) (adjustable)
Synchronization range	
Horizontal frequency:	30-55KHz(automatically)
Vertical frequency:	50-150Hz (automatically)
Max. Resolution	1024x768
Max. Video Bandwidth	85MHz
Power supply (universal)	
Input voltage:	AC 100~240V 60/50Hz
Consumption:	65 watts maximum
Input signal	Video: Analog 0.7Vp-p/75 Ohms Sync: Separate sync. TTL level
Display Analog Input	Unlimited Number of colors (depends upon video card)
Weight	
Net:	12.5kg (27.5Lb.)
Gross:	14.0kg (30.8Lb.)
Unit dimension(LxWxH)	385x359x366mm(PA/SA) 385x359x366mm(PX) 385x359x366mm(EZ) 402x359x371mm(VX) 393x359x384mm(LZ)
Operating condition	
Temperature:	5°C ~ 40°C
Humidity:	20% ~ 80%
Storage condition	
Temperature:	-20°C ~ 60°C
Humidity:	10% ~ 90%
DCC1/DCC2B	VESA standard

NOTE: ALL technical specifications are subject to change without notice.

5.2 Signal connector pin assignment



15-Pin mini D-Type male connector

Pin	Assignment
1	Red Video
2	Green Video
3	Blue Video
4	Ground
5	Self Test
6	Red Ground
7	Green Ground
8	Blue Ground
9	No connection
10	Ground
11	Ground
12	SDA (For DDC)
13	H. sync
14	V. Sync
15	SCL (For DDC)

11. Ziehen Sie den Netzstecker, wenn Sie den Monitor längere Zeit nicht benutzen wollen.
Dadurch vermeiden Sie Beschädigungen durch Überspannungen im Stromnetz.
12. Überlasten Sie niemals den Stromanschluss oder das Stromkabel. Eine Überlastung könnte ein Feuer verursachen oder zu Stromschlägen führen.
13. Achten Sie darauf, dass keine Gegenstände durch Öffnungen oder Lüftungsschlitze ins Innere des Monitors gelangen können. Dies kann ebenfalls ein Feuer durch einen Kurzschluss verursachen. Vergiessen Sie niemals irgendwelche Flüssigkeiten über den Monitor.
14. Versuchen Sie nicht, den Monitor selbst zu reparieren. Wenn Sie das Gehäuse öffnen oder entfernen, können Sie mit Hochspannung in Berührung kommen. Überlassen Sie alle Reparaturen ausgebildeten Servicepersonal.
15. Ziehen sie den Netzstecker und wenden Sie sich an den Service, wenn eines der folgenden Ereignisse eintritt:
 - a. Das Netzkabel ist beschädigt.
 - b. Es wurden Flüssigkeiten über dem Monitor vergossen.
 - c. Der Monitor wurde Regen ausgesetzt
 - d. Der Monitor arbeitet nicht normal, obwohl Sie allen Anweisungen der Bedienungsanleitung gefolgt sind. Verstellen Sie nur die Regler, die in der Bedienungsanleitung beschrieben werden. Das Verstellen anderer Regler kann zu Schäden am Monitor führen und kostspielige Reparaturen verursachen.
 - e. Der Monitor ist zu Boden gefallen und das Gehäuse wurde beschädigt.
 - f. Der Monitor weist andere, offensichtliche Schäden auf.
16. Stellen Sie im Falle einer Reparatur sicher, dass Ihre Servicewerkstatt nur originale oder vom Hersteller freigegebene Ersatzteile verwendet, da es sonst zu weiteren Schäden an Ihrem Monitor kommen kann.
17. Der Service sollte nach jeder Reparatur einen Funktionscheck durchführen um sicher zu stellen, dass der Monitor einwandfrei funktioniert.
18. Die Steckdose sollte sich in der Nähe des Monitors befinden und leicht zugänglich sein.
19. Das Netzkabel dient ebenfalls dazu, den Monitor komplett vom Stromnetz zu trennen.

1. Introduction

1.1 General Information

Thank you for your patronage. This digital AutoScan color monitor displays sharp images of text and graphics with an optimum resolution up to 800X 600 pixels non-interlaced at a maximum 85Hz refresh rate. The maximum display resolution is 1024 X 768 pixels non-interlaced mode.


The monitor automatically scans horizontal frequencies from 30 to 55KHz, and vertical frequencies from 50 to 150Hz. You may use this color monitor with a computer which utilizes IBM VGA, XGA and all VESA non-interlaced SVGA and EVGA resolutions in the above mentioned frequency ranges. The wide range includes IBM PC, PC/XT, PC/AT, PS/2, 386, 486, 586, Pentium and other compatible systems.

This monitor may incorporate a DDC1/DDC2B function that allows bidirectional communication between the monitor and PC system for optimal video configuration, (depending on model).

This color monitor complies with VESA DPMS (Display power management signaling) and TCONUTEK'S automatic power saving requirements. The power saving functions ONLY when used with VESA DPMS compliant PC'S and/or video controllers. By reducing power consumption to less than 15 watts in STAND-BY or SUSPEND mode and less than 8 watts in OFF mode, the monitor also complies with the Energy Star Computers Program initiated by the EPA.

Note: 1. IBM, IBM PC/XT, PC/AT, PS/2(Personal System), VGA (Video Graphics Array), and XGA (Extended Graphics Array) are registered trade marks of International Business Machines Corporation.

2. VESA means Video Electronics Standards Association

3.  means this product meets the Energy Star guidelines for energy efficiency.

1.2 Feature

- Micro-processor based design with digital controls.
- Compatible with standard IBM VGA/XGA, EVGA, SVGA modes, as well as VESA resolution standards.
- Universal power supply.
- MPR II compliant.(depending on exact model)
- TCO 95 compliant.(depending on exact model)
- EPA Energy Star compliant power saving.
- VESA Display Power Management (DPMS) compatible.
- Microsoft Windows 95 compatible & VESA Display Data Chanel (DDC) 1/2B compatible (depending on exact model)
- Side-mount provision for optional speakers
(AR 200,AR-550/AK-500/PRO E-10)
- Built-in microphone to optimize speakerphone functionality.
(depending on exact model)

2. Installation

NOTE: Before installing this monitor, please refer to the user's guide of your computer and video adapter to make sure if this equipment requires any change of setting.

2.1 Package

After unpacking the shipping carton, check if you have received the following items:

- Your monitor
- This user's manual
- Power cord. (if not attached to the monitor)
- Video cable. (if not attached to the monitor)

If any of these items are missing, please contact your dealer for technical support and customer service.

NOTE: Be sure to save the original box and all packing materials for future transport of the monitor.

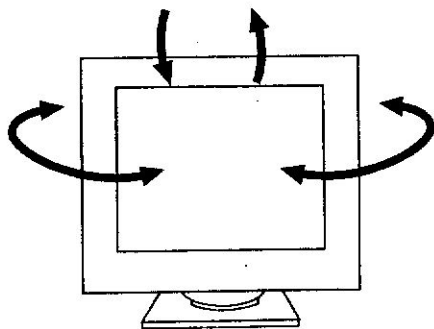
2.2 Precautions-when using this monitor

NOTE: when positioning this equipment ensure that the main plug and socket is easily accessible.

- To avoid eye fatigue, do not use the color monitor with bright background sunlight or left other light sources shine directly on the screen.
- Do not place the monitor near a heat source.
- Set up in a good ventilated environment and ensure that the ventilation openings of the monitor are not covered, so the heat from the monitor can dissipate properly.
- Keep the monitor away from high capacity transformers, electric motors and other strong magnetic fields.
- The monitor should not be used in damp, dusty or dirty areas.

2.3 Swivel base

The swivel base enables you to place the monitor into a convenient position for best viewing comfort by tilting and/or turning the monitor.



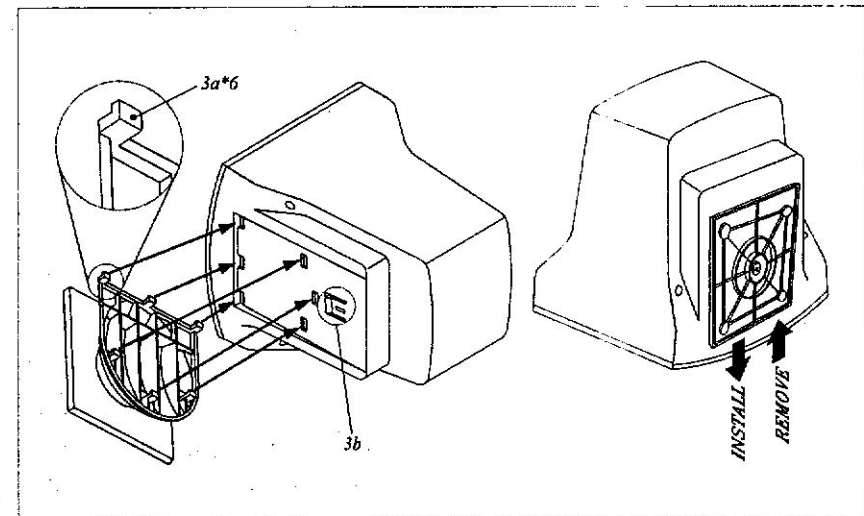
2.4 How to install/remove the swivel base

To attach the swivel base to the monitor, do the following

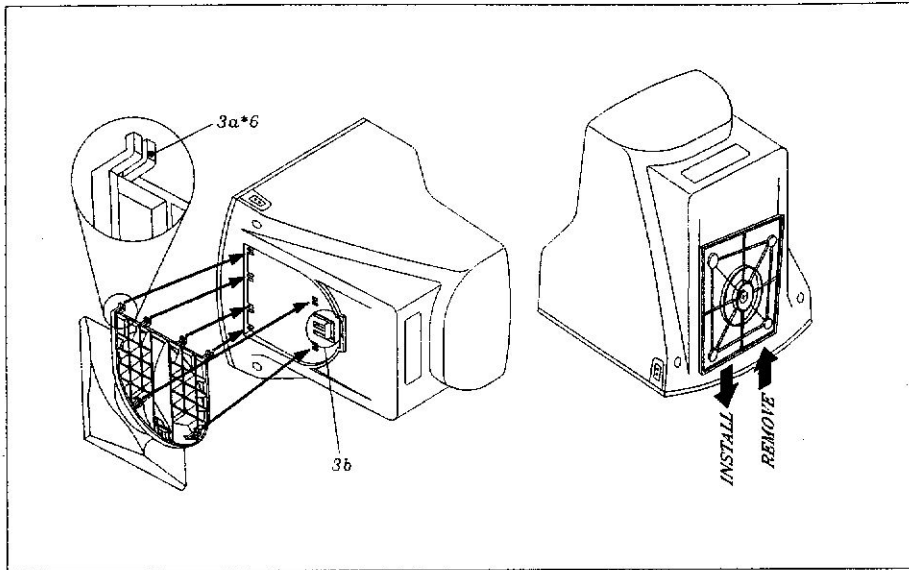
1. Carefully turn the monitor on its side or upside-down.
2. Locate the cavities at the bottom of the monitor.
3. Insert the pegs "3a" on the swivel base into these cavities.

Push firmly toward the front (CRT direction) of the main unit until the latch "3b" at the bottom of the monitor clicks shut. This locks the swivel base into place.

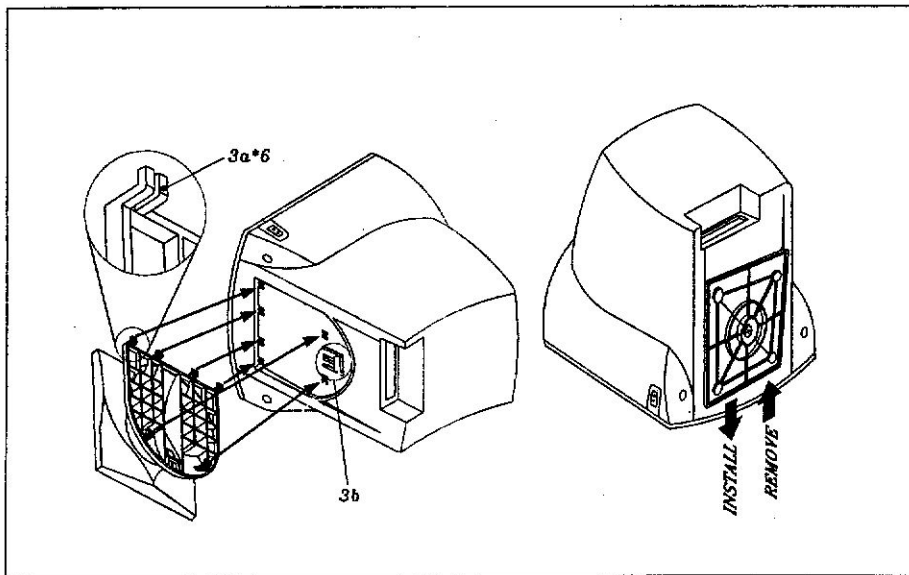
4. To remove the swivel base, use your thumb to push "3b" to disconnect the latch properly, push down firmly and pull the base against the main unit. The base removes from the attached position.



For PA/SA series



For PX/VX series

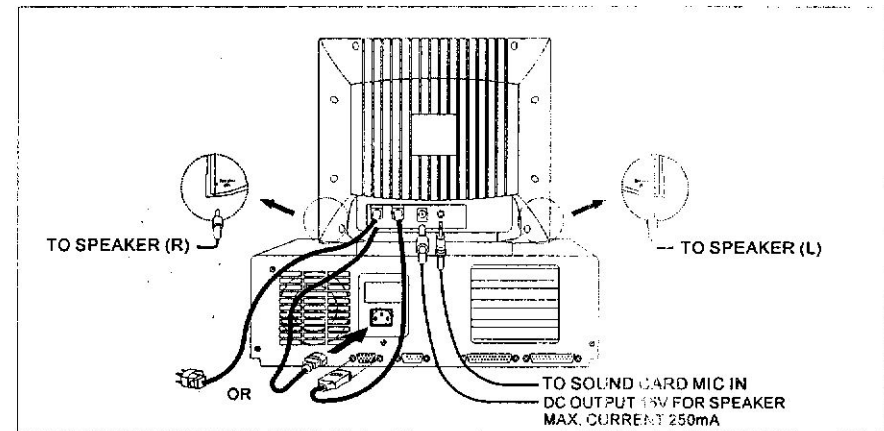


For EZ/IZ series

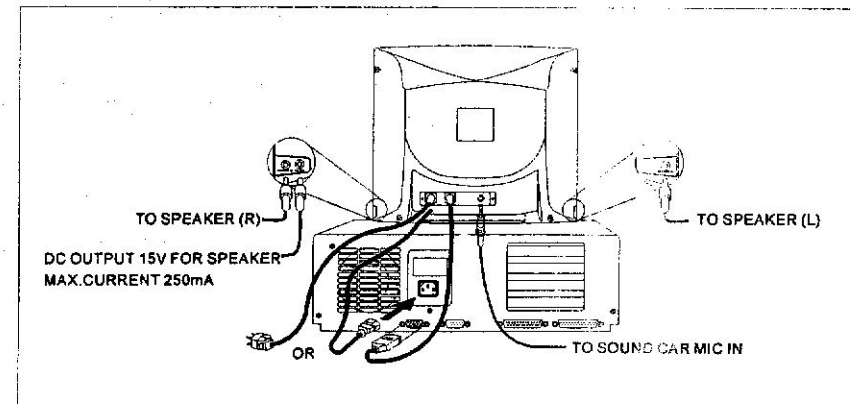
3. Connection to the computer

WARNING: Please be sure the AC power to your computer is "OFF" before Connecting or disconnecting any display peripheral. Failure to do so may cause Serious personal injury as permanent damage to your computer equipment.

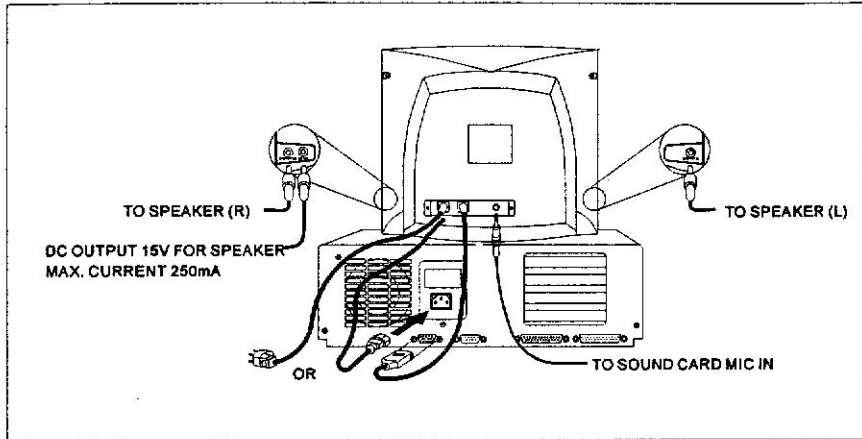
3.1 Connecting the signal cable the power cable



For PA/SA series



For PX/VX series

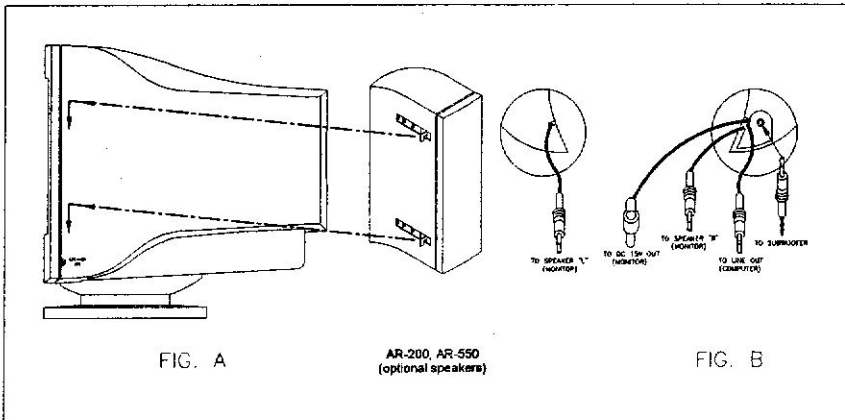


For EZ/IZ series

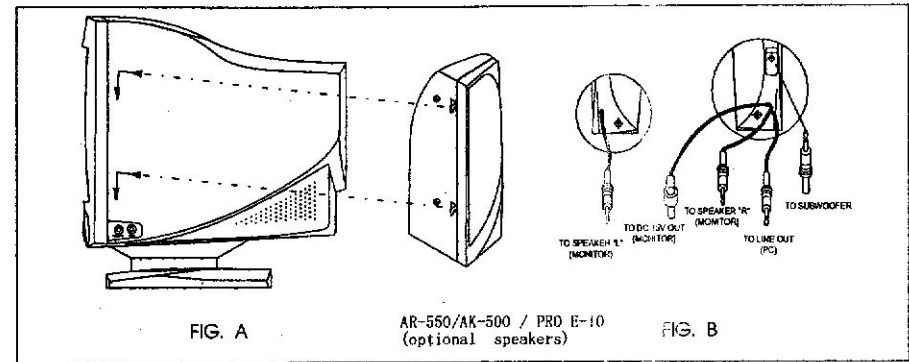
Use the following steps to connect these cable.

- a. Plug the 15-pin monitor signal cable into the video signal connector locate at The rear of the system and lock the two screw to ensure firm grounding.
- b. This monitor is equipped with a universal power supply (100-240V). Plug the Powercord into the power supply of the PC or into the wall outlet for power. A Three-wire cord is provided as a safety precaution to ensure proper electrical grounding.

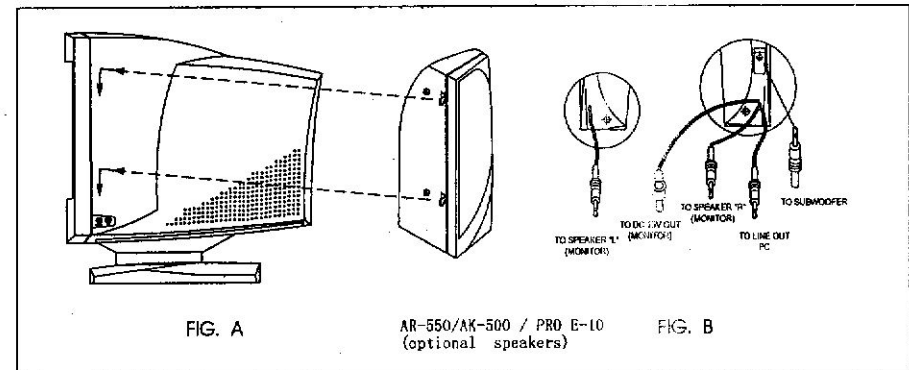
3.2 Connecting the microphone and speaker cable (optional)



For PA/SA series



For PX/VX series

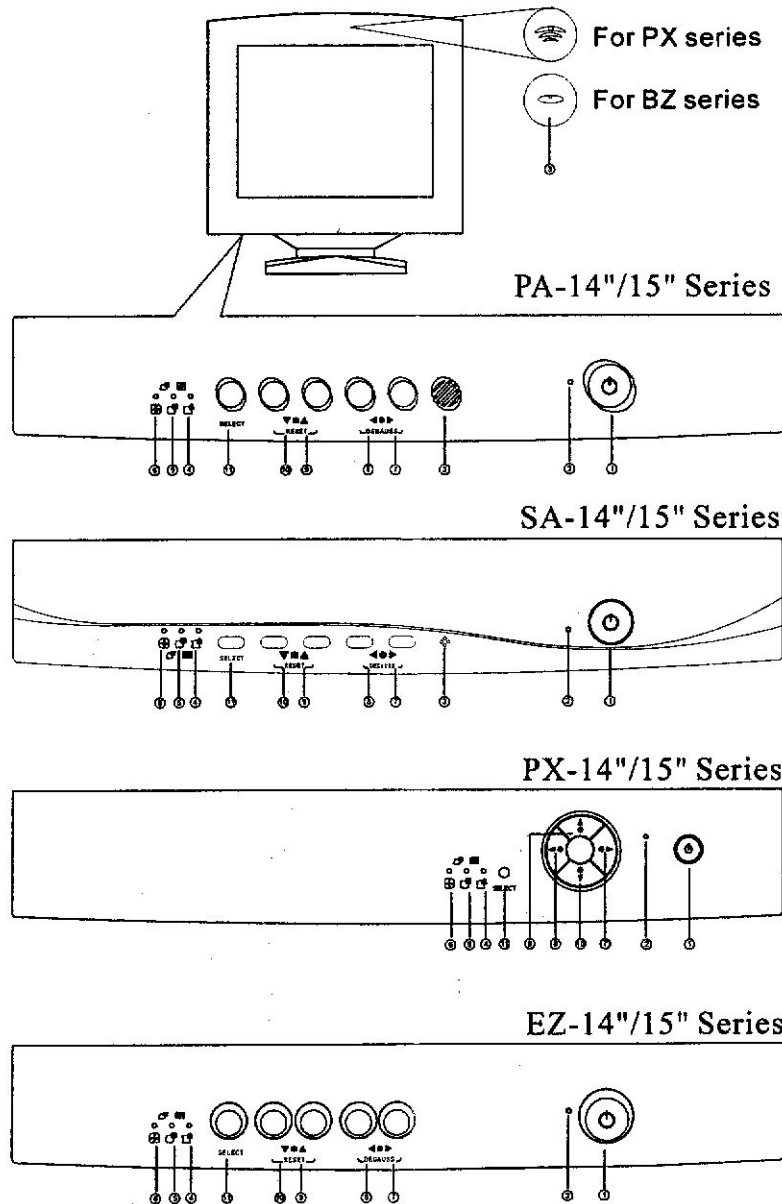


For EZ/IZ series

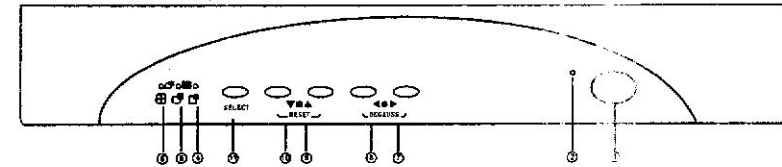
- a. Connect one end of the microphone cable to the connector on the back of the monitor and the other end to the sound card of the computer.
- b. Connect the speaker cables to the speaker connectors of the monitor and the third speaker cable to the sound card of the computer.
- c. DC15V output:(On the back of the monitor or right side of the monitor) The DC 15V/250mA output provides power only for multimedia speaker. To connect the DC15V output from monitor to speaker sets. (WARNING: ONLY CONNECT TO AR-200/AR-550/AK-500/PRO E-10 SPEAKERS. OTHERWISE, IT MAY BE BREAK DOWN THIS MONITOR)

NOTE: For information on how to attach and connect the optional speakers to your monitor, please refer to the user's manual of the speakers.

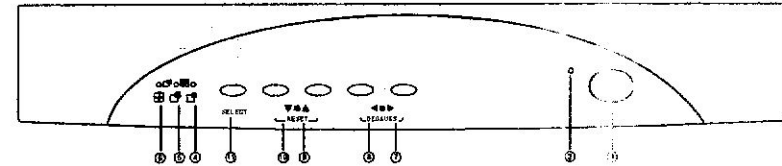
4. Front control locations and functions



VX Series



IZ Series



4.1 Operation

① Power (①)

Press this knob, the LED ② Light and the power is ON
Press this knob again, the LED goes off and the power is OFF.

② Power LED (②)

The power LED is located just the left of power switch. This LED lights up when the monitor works normally. If the monitor is in Energy saving mode (stand-by/suspend/power off), this LED flashes.

"▶" & "▲" Adjustment (⑦&⑨)

Allow you to increase parameter volume adjustment.

"◀" & "▼" Adjustment (⑧&⑩)

Allow you to decrease parameter and volume adjustment.

"SELECT" Function button (⑪)

The select key is defined as "function control" field, which includes function parameters indicated by different LEDs. There are Brightness, Contrast, V-size, H-size, V-position, H-position, Trapezoid, Pincushion, Unbalance, Parallelogram and Rotation. Press the "select" key to address the function controls.



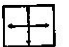
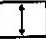
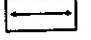


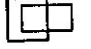


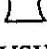


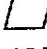



○○○ **Function Control Indicator LED (④&⑤&⑥)**

Those indicator LED illuminates when the select key is press.

Built-In Microphone (depending on model) (③)

To connect the built-in microphone, insert one end of the enclosed microphone cable into the "MIC OUT " jack (at the rear of monitor), and insert the other and into the "MIC IN" jack of the computer's sound card.

4.2 Adjusting and programming

Function LED	Front Icon	▼ ▲	◀ ▶
○ ○ ○		 BRIGHTNESS	 CONTRAST
● ○ ○		 V-SIZE	 H-SIZE
○ ● ○		 V-POSITION	 H-POSITION
○ ○ ●		 TRAPEZOID	 PINCUSHION
● ● ○		 UNBALANCE	 PARALLEL
○ ● ●		 ROTATION	 ROTATION
		RESET	DEGAUSS

- NOTE:** 1. " ● " means the indicator LED is lighting and " ○ " means the indicator LED is off.
2. Press "select" key, one or two LEDs will light and will stay steadily for approximately 4 seconds, then will turn to blank and store the user's settings to the memory.

Brightness and Contrast (✱ & ●)

You can directly press adjust "▼"&"▲" in function LED off condition to adjust Brightness and also you can press "◀"&"▶" keys to adjust contrast directly.

Picture size (□ & □)

Press the " Select " key, the first LED will light (● ○ ○).
Press "▼" or "▲" key to decrease or increase the vertical size of the image.
Press "◀" or "▶" key to decrease or increase the horizontal size of the Image.

Picture position (□ & □)

Press the "Select " key again, the second LED will light(○ ● ○).
Press "▼" or "▲" key to move the picture image vertically up or down.
Press "◀" or "▶" key to move the picture image horizontally left or right.

Trapezoid and Pincushion (△ & □)

Press the "Select" key again, the third LED will light(○ ○ ●).
Press "▼" or "▲" key to increase or decrease the bottom of the screen to be the same as the top.
Press "◀" or "▶" key to increase or decrease the curvature of the sides either inward or outward.

Unbalance and Parallel (□ & □)

Press the "Select" key again, the first and the second LED will light (● ● ○).
Press "▼" or "▲" key to increase the curvature of the sides either to the left or right.
Press "◀" or "▶" key to increase or decrease the tilt of the sides either to the left or right.

Rotation (□) (on same models)

Press the "Select" key again, the second and the third LED will light(○ ● ●).
Press "▲" or "▶" key to rotate the entire display clockwise.
Press "▼" or "◀" key to rotate the entire display counter-clockwise.