

2400 Series High Capacity Circulators

Taco 2400 Series High Capacity Circulators are specifically designed for quiet, efficient, dependable operation in a wide range of medium to high flow/head hydronic heating, chilled water cooling and hot water recirculation applications. The space saving, close-coupled, maintenance free motor with permanently lubricated, sealed-for-life bearings, Noryl® impeller and durable, carbon/silicon-carbide mechanical seal provide unmatched reliability. Available in Cast Iron or Stainless Steel construction.



**Stainless Steel
models only**



Features & Benefits

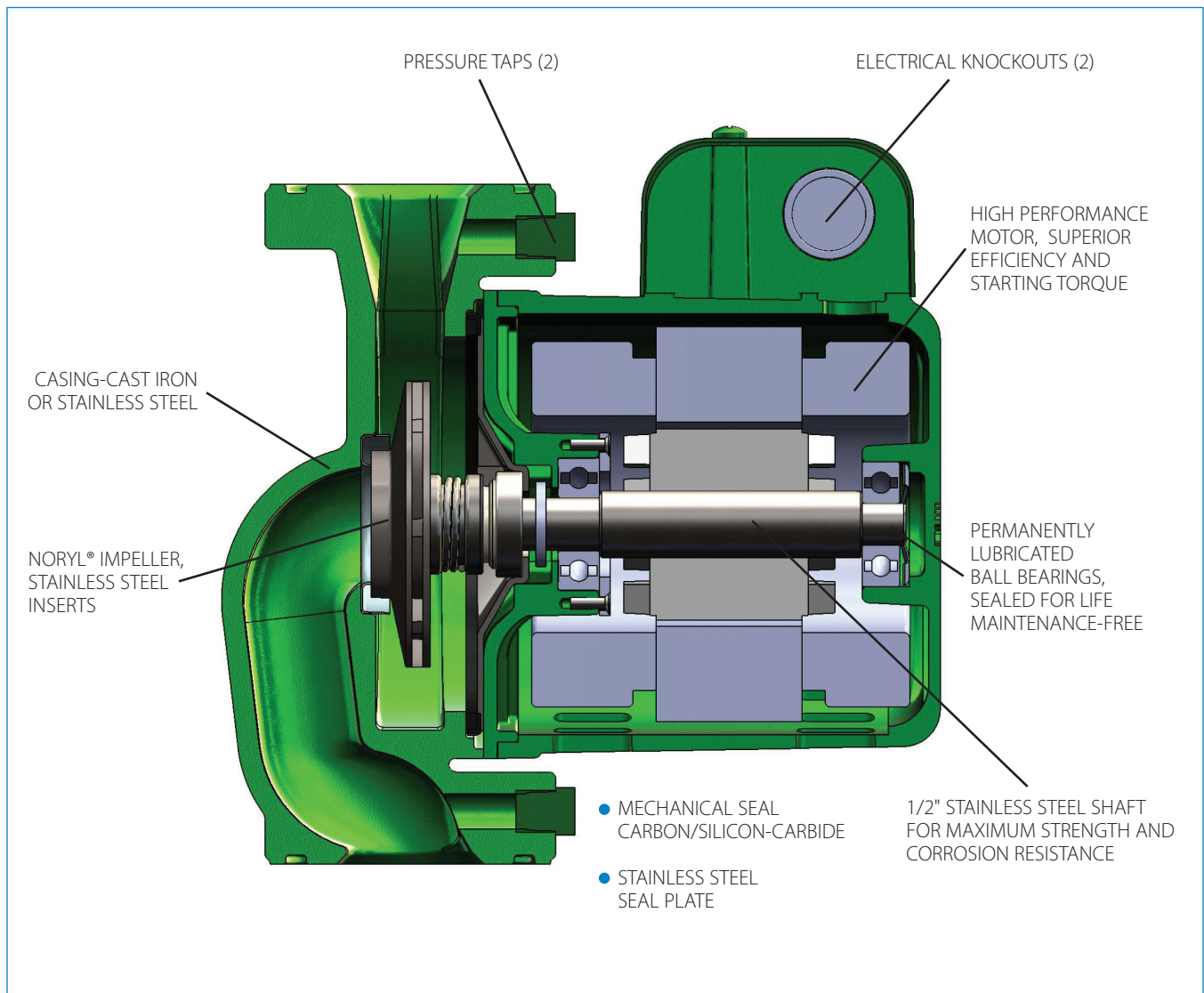
2400 Series High Capacity Circulators

Features

- Compact, space saving design
- Powerful close-coupled, maintenance free motor
- Superior efficiency, high starting torque
- Permanently lubricated, sealed for life bearings
- Rugged 1/2" Stainless Steel Shaft
- Carbon/Silicon-Carbide mechanical seal for long life
- Universal flange to flange dimensions — Ideal for retrofits
- Anti-Condensate design for chilled water
- Dual electrical knock-outs
- Dual pressure taps, suction/discharge

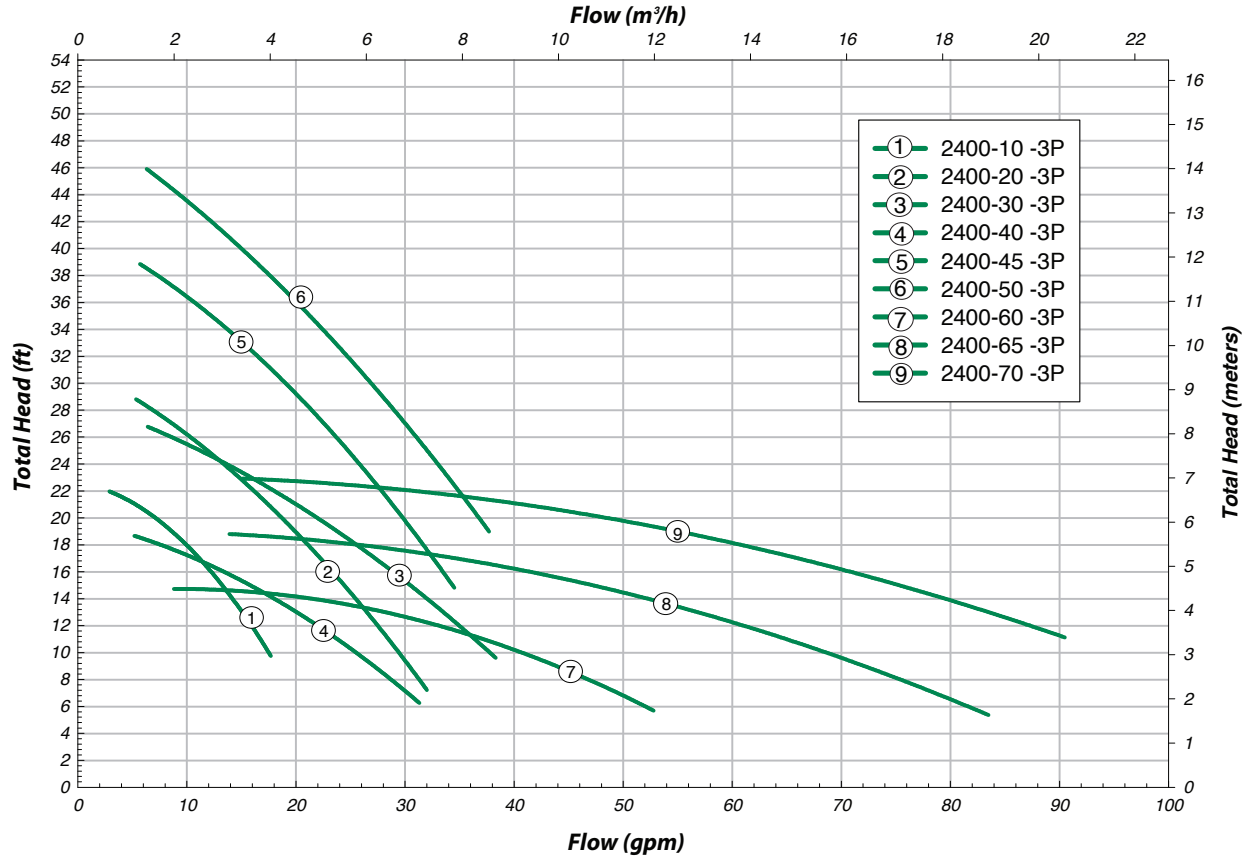
Application

The compact 2400 Series High Capacity Circulators are designed for quiet, efficient, maintenance-free operation in a wide range of larger residential and commercial hydronic systems. Typical applications include hydronic heating, in-floor radiant, snow melt, high pressure drop boilers, outdoor wood boilers, chilled water cooling, geothermal heat pumps, primary/secondary loops and hydro air fan coils. The Stainless Steel 2400 Series should be used for open, domestic water recirculation systems. The carbon/silicon-carbide mechanical seal is easy to service in only a few minutes.



Performance Curves 2400 Series High Capacity Circulators

TACO® 2400 Series High Capacity Circulators



Submittal Data Information 2400 Series High Capacity Circulators

Submittal Data # 101-134
Supersedes: 12/14/09

Effective: 03/02/15

Materials of Construction

Casing: Cast Iron or Stainless Steel
Seal Face Plate: Stainless Steel
Motor Housing: Aluminum
Impeller: 30% Glass-filled Noryl®
Impeller Insert: Stainless Steel
Shaft: Stainless Steel
Mechanical Seal (3-piece rotating):
Carbon/Silicon-Carbide
Motor Bearings:
Permanently lubricated ball bearing
O-Ring/Flange Gaskets: EPDM

Model Nomenclature

S — Stainless Steel, Flanged
Y — 230V/60/1 Motor

Performance Data

Maximum Flow: 90 GPM
Maximum Head: 46 Feet
Minimum Fluid Temp: 40°F (4°C)
Maximum Fluid Temp: 225°F (107°C)
Maximum Working Pressure: 150 psi



FOR INDOOR USE ONLY

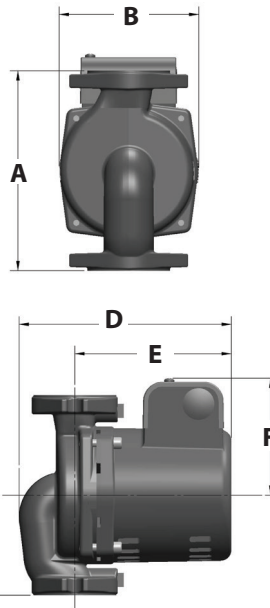


Stainless Steel models only

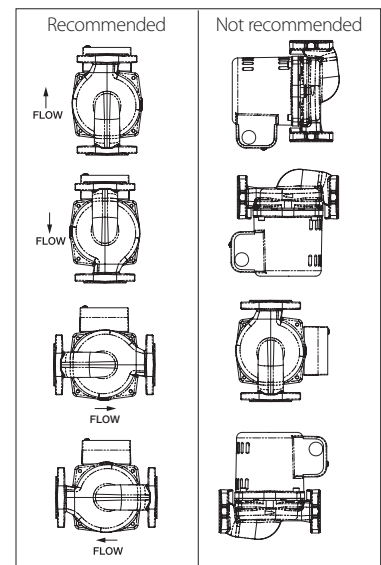
Pump Dimensions & Weights

All dimensions and weights are approximate.

Cast Iron	Stainless Steel	A		B		C		D		E		F		Ship Wt.	
		in.	mm	in.	mm	in.	mm	in.	mm	in.	mm	in.	mm	lbs.	Kg
2400-10 -3P	2400-10S -3P	6-3/8	162	4-1/2	114	3-3/16	82	6-7/8	175	5	127	3-3/4	95	11.5	5.3
2400-20 -3P	2400-20S -3P	6-3/8	162	4-1/2	114	3-3/16	82	6-7/8	175	5	127	3-3/4	95	12.0	5.5
2400-30 -3P	2400-30S -3P	8-1/2	216	4-3/4	121	4-1/4	108	8	203	5-1/4	133	3-3/4	95	14.5	6.6
2400-40 -3P	2400-40S -3P	8-1/2	216	4-3/4	121	4-1/4	108	8	203	5-1/4	133	3-3/4	95	14.5	6.6
2400-45 -3P	2400-45S -3P	6-3/8	162	4-5/8	119	3-3/16	82	8-3/4	222	6-7/8	175	3-3/4	95	15.0	6.8
2400-50 -3P	2400-50S -3P	6-3/8	162	4-5/8	119	3-3/16	82	8-3/4	222	6-7/8	175	3-3/4	95	16.0	7.3
2400-50/2 -3P	2400-50S/2 -3P	6-3/8	162	5-1/4	133	3-3/16	82	8-3/4	222	6-7/8	175	3-3/4	95	16.5	7.5
2400-60 -3P	2400-60S -3P	8-1/2	216	5-3/16	132	4-1/4	108	7-7/8	200	5-1/4	133	3-3/4	95	18.0	8.2
2400-65 -3P	2400-65S -3P	8-1/2	216	5-1/2	140	4-1/4	108	9-7/8	251	7-1/4	184	3-3/4	95	22.0	10.0
2400-70 -3P	2400-70S -3P	8-1/2	216	5-1/2	140	4-1/4	108	9-7/8	251	7-1/4	184	3-3/4	95	23.0	10.4
2400-70/3 -3P	2400-70S/3 -3P	8-1/2	216	6-5/8	168	4-1/4	108	10-1/2	267	7-1/4	184	3-3/4	95	29.0	13.2



Mounting Positions



Electrical Data

Model No.	Hz	Ph	115V	230V	RPM	HP
			Amps	Amps		
2400-10 -3P	60	1	1.4	.54	3450	1/10
2400-20 -3P	60	1	1.9	1.0	3450	1/6
2400-30 -3P	60	1	1.9	1.0	3450	1/6
2400-40 -3P	60	1	1.9	1.0	3450	1/6
2400-45 -3P	60	1	3.6	1.7	3450	1/3
2400-50 -3P	60	1	4.9	2.4	3450	1/2
2400-60 -3P	60	1	1.9	1.0	3450	1/6
2400-65 -3P	60	1	3.6	1.7	3450	1/3
2400-70 -3P	60	1	4.9	2.4	3450	1/2
Motor Type	Open Drip Proof, Permanent Split Capacitor, Thermally Protected					

Noryl® is a registered trademark of General Electric Co.

2400 Series Companion Flange Sets

Models	Connection	3/4"	1"	1-1/4"	1-1/2"	2"	2-1/2"	3"
2400-10/10S -3P	Iron NPT	110-251F	110-252F	110-253F	110-254F	---	---	---
2400-20/20S -3P	S. Steel NPT	110-251SF	110-252SF	110-253SF	110-254SF	---	---	---
2400-45/45S -3P	Bronze SWT	110-523BSF	110-524BSF	110-525BSF	110-526BSF	---	---	---
2400-50/50S -3P	Shut-Off NPT	SF-075T	SF-100T	SF-125T	SF-150T	---	---	---
	Shut-Off SWT	SF-075S	SF-100S	SF-125S	SF-150S	---	---	---
2400-50/50S/2 -3P 2", 2 bolt	Iron NPT	---	---	---	---	194-2124F	---	---
	S. Steel NPT	---	---	---	---	194-2124SF	---	---
2400-30/30S -3P	Iron NPT	---	---	194-1540F	194-1542F	---	---	---
2400-40/40S -3P	S. Steel NPT	---	---	194-1540SF	194-1542SF	---	---	---
	Shut-Off NPT	---	---	SF-125T-0012	SF-150T-0012	---	---	---
	Shut-Off SWT	---	---	SF-125S-0012	SF-150S-0012	---	---	---
2400-60/60S -3P 2400-65/65S -3P 2400-70/70S -3P	Iron NPT	---	---	---	---	185-086C	---	---
	Bronze NPT	---	---	---	---	185-086B	---	---
2400-70/70S/3 -3P 3", 4 bolt	Iron NPT	---	---	---	---	---	185-112C	185-113C
	Bronze NPT	---	---	---	---	---	185-112B	185-113B



Taco Inc., 1160 Cranston Street. Cranston, RI 02920 / (401) 942-8000 / Fax (401) 942-2360
Taco (Canada) Ltd., 8450 Lawson Road, Unit #3, Milton, Ontario L9T 0J8 / (905) 564-9422 / Fax (905) 564-9436
www.taco-hvac.com