



**Taco**  
**D'MAND**  
SYSTEMS

## and Tankless Water Heaters



### The Taco D'MAND® SYSTEM is the Perfect Match

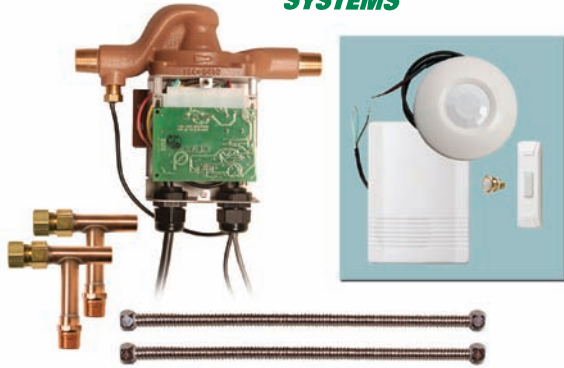
Combining the D'MAND® System with a tankless water heater will save your customers energy dollars and preserve warranty longevity.

So if you're going tankless,  
go D'MAND®.



Waiting for  
**hot** water, is  
wasting energy.

# Taco® D'MAND® SYSTEMS



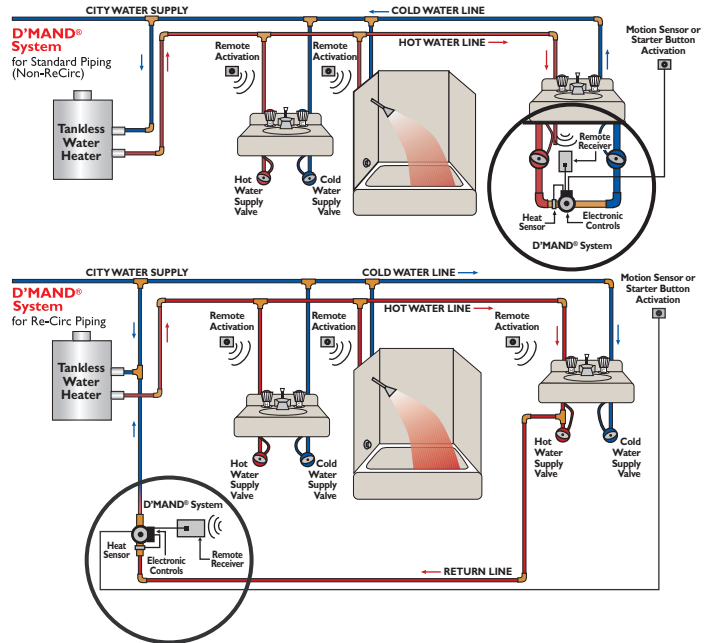
## If you're going tankless... Go D'MAND®

Leading tankless water heater manufacturers now recommend use of their products with a quality on-demand water recirculation system like Taco's D'MAND® System. In fact, some of those manufacturers may reduce the warranty coverage period if their product is used with a conventional timer-controlled recirculation system. Conventional water recirculation systems fitted with temperature sensors and timers are not considered "on demand"...that's why choosing the Taco D'MAND® is always the right choice.

D'MAND® eliminates the need for a conventional recirculation system, and has been engineered to provide the head pressure needed to overcome the high pressure drops experienced with tankless water heaters.

D'MAND® pumping systems have been approved for EPA Energy Star water heating credits.

D'MAND® delivers instant hot water by push button or motion sensing – not by temperature sensor or a timer. There are no standby losses, no stack losses and no need for extra storage tanks.



**D'MAND® SYSTEM — On demand Water Recirculation System with Patented ACT D'Mand® Electronics Control Board**

Product Number	Connection Sizes	Motor			Ship Weight
		Voltage	RPM	HP	
008-DM	1/2" Male NPT	115/60/1	3250	1/25	10
008-DM-PK	1/2" Male NPT, with plumbing kit	115/60/1	3250	1/25	11
0011-DM	3/4" Shut-off Flange	115/60/1	3250	1/8	14
0011-DM-PK	3/4" Shut-off Flange, with plumbing kit	115/60/1	3250	1/8	15

**D'MAND® SYSTEM — Accessories**

Product Number	Description	What it does
554-1	Remote transmitter, receiver kit	To start system with wireless remote control
554-2	Individual remote transmitter	For wireless remote control at multiple locations
554-3	Individual starter button	For hard-wired starter control at multiple locations
554-4	Motion Sensor Starter Kit	For automatic motion detection start

**SIZING CHART**

Description	008-DM-PK	0011-DM-PK
Standard Plumbing & Distance between tankless water heater and fixture where D'Mand® system is installed	Under 60 ft.	Over 60 ft.
Re-circulation plumbing AND Square Footage of house	Under 2,500 sq. ft.	Over 2,500 sq. ft.

NOTE: Standard plumbing and distance requires the D'MAND® System to be installed between the hot and cold water line at the most distant hot water location. Contact your local Taco wholesaler or local Taco sales representative agency.



For more information about the Taco D'MAND® System, See Catalog# 100-15



Taco Inc., 1160 Cranston Street, Cranston, RI 02920 / (401) 942-8000 / Fax (401) 942-2360  
Taco (Canada) Ltd., 8450 Lawson Road, Unit #3, Milton, Ontario L9T 0J8 / (905) 564-9422 / Fax (905) 564-9436