



Submittal Data Information

D'MAND® System Domestic Hot Water Recirculation

101-150

EFFECTIVE: February 1, 2011

SUPERSEDES: New

Job: _____ Engineer: _____ Contractor: _____ Rep: _____

ITEM NO.	MODEL NO.

Application:

The Taco D'MAND® System is the only recirculating system that operates 24 hours to provide hot water "on demand" at the same time it saves water, energy and money.

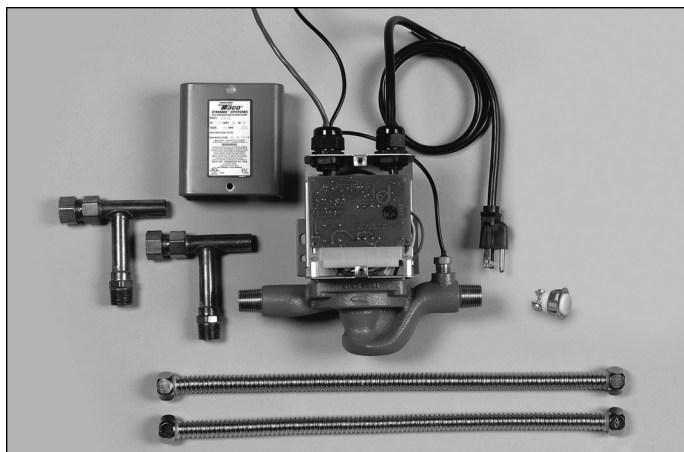
The D'MAND System is a small, silent pump that you attach to the hot and cold water lines in the cabinet under the most remote kitchen or bath fixture in the home. When the D'MAND System is activated, the cool water you normally let run down the drain is recirculated back to the water heater through the cold water line.

On demand, the pump circulates the hot water from the water heater and returns the cooled water back through the cold water line. When the hot water arrives at the fixture, the D'MAND System's patented heat sensor and control board shut off the pump to prevent pumping excess hot water into the cold water line.

NOTE: Standard plumbing and distance requires the D'MAND System to be installed between the hot and cold water line at the most distant hot water location.

Nomenclature:

DM	- D'MAND
PK	- Plumbing Kit



RF Wireless Starter Kit



Motion Sensor

D'MAND System Includes:

- D'MAND Circulator
- Hard Wire Push Button
- (2) Copper T's
- (2) Flex Hoses

Materials of Construction:

PUMP:

- Casing (Volute): Stainless Steel
- Stator Housing: Steel
- Cartridge: 304 Stainless Steel
- Impeller: Noryl
- Shaft: Ceramic
- Bearings: Carbon
- O-Ring: EPDM

INTEGRAL FLOW CHECK (IFC®):

- Body, Plunger: Acetal
- O-Rings: EPDM

D'MAND® System - On Demand Water Recirculation System with Patented ACT D'MAND® Electronics Control Board

Product Number	Connection Sizes	Motor			Ship Wgt.
		Voltage	RPM	HP	
006-DM	½" Male NPT	115/60/1	3250	¼ ₄₀	7
006-DM-PK	½" Male NPT, with Plumbing Kit			¼ ₄₀	8
008-DM	½" Male NPT			½ ₂₅	10
008-DM-PK	½" Male NPT, with Plumbing Kit			½ ₂₅	11
0011-DM	¾" Shut-off Flange			⅛	14
0011-DM-PK	¾" Shut-off Flange, with Plumbing Kit			⅛	15

D'MAND® System - Accessories

Product Number	Description	What It Does
554-1	Remote Transmitter/Receiver Kit	To start system with wireless remote control
554-2	Individual Remote Transmitter	For wireless remote control at multiple locations
554-3	Individual Starter Button	For hard-wired starter control at multiple locations
554-4	Motion Sensor Starter Kit	For automatic motion detection start



FOR INDOOR USE ONLY.

A Taco resource – saving product

Sizing Your D'MAND® System:

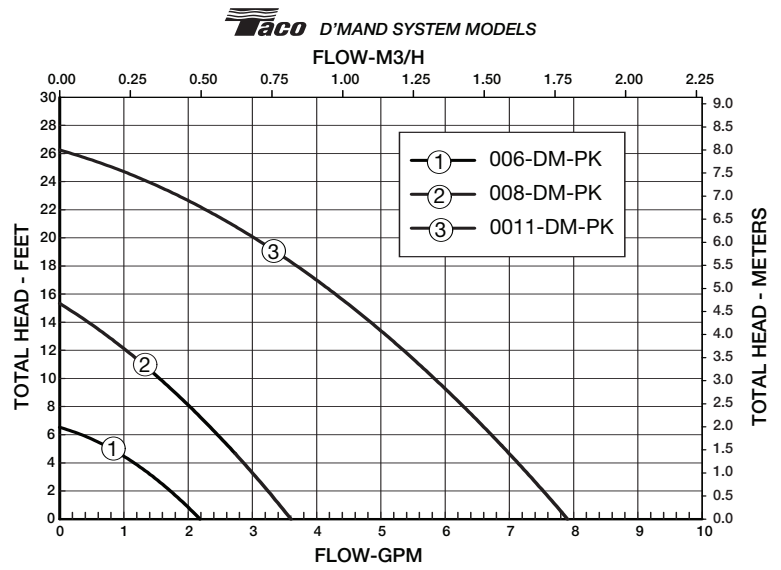
STANDARD PIPING - Tank Type Water Heater		
Size of Home	Total Length of Pipe (ft)	Model
Small	50	006-DM-PK
Medium	100	008-DM-PK
Large/Commercial	Over 100	0011-DM-PK

STANDARD PIPING - Tankless Water Heater		
Size of Home	Total Length of Pipe (ft)	Model
Small/Medium	< 60	008-DM-PK
Large/Commercial	> 60	0011-DM-PK

RECIRCULATION PIPING - Tank Type Water Heater		
Size of Home	Total Length of Pipe (ft)	Model
Small	100	006-DM
Medium	200	008-DM
Large/Commercial	Over 200	0011-DM

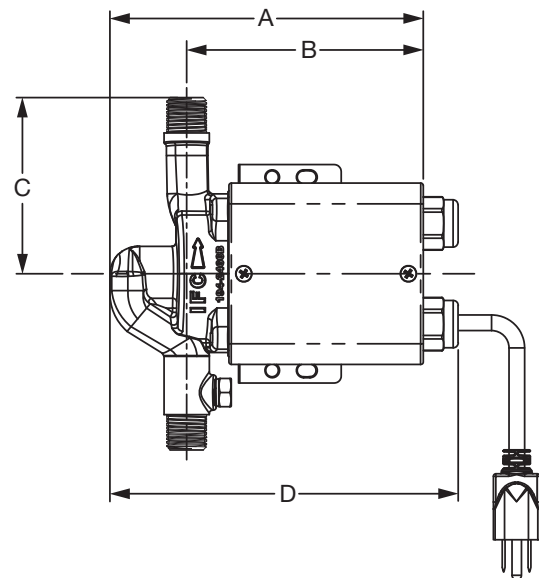
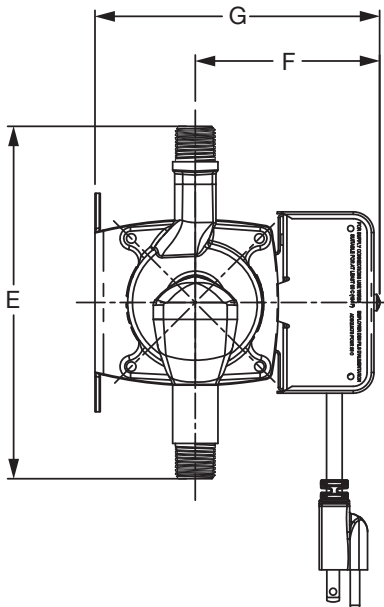
RECIRCULATION PIPING - Tankless Water Heater		
Size of Home	Square Feet	Model
Small/Medium	< 2500	008-DM
Large/Commercial	> 2500	0011-DM

Performance Field Information - 60 Hz



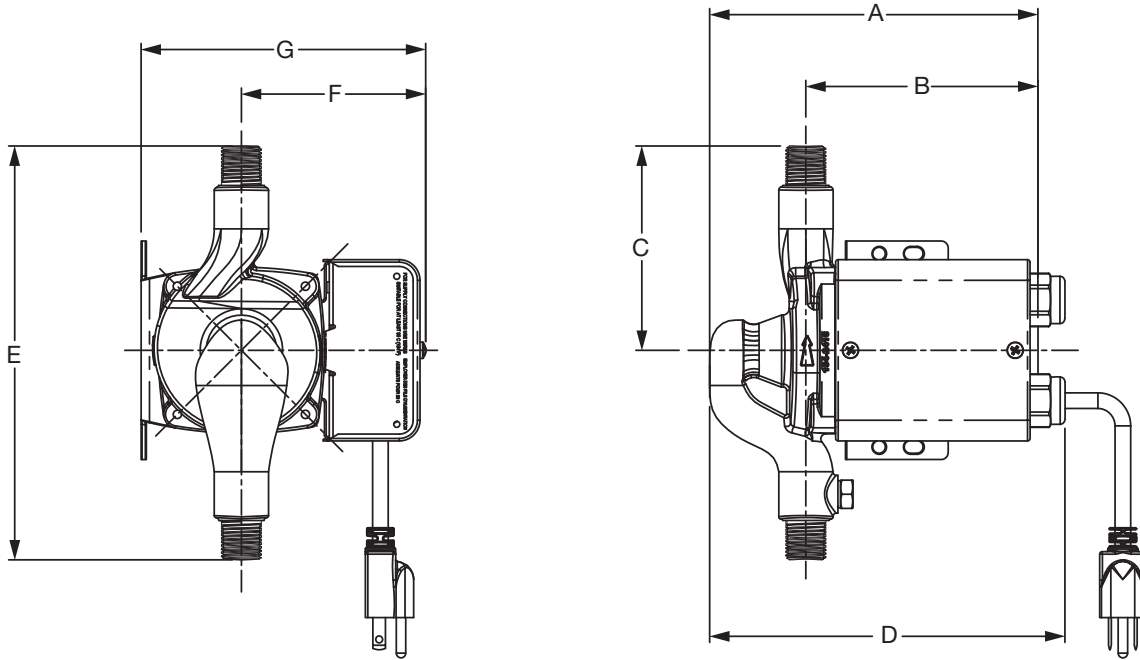
Dimensional and Weight Data:

MODEL 006-DM													
A		B		C		D		E		F		G	
Inch	mm	Inch	mm	Inch	mm	Inch	mm	Inch	mm	Inch	mm	Inch	mm
6 ⁷ / ₃₂	158	4 ¹¹ / ₁₆	119	3 ¹ / ₂	89	6 ¹⁵ / ₁₆	176	7	178	3 ²¹ / ₃₂	93	5 ²¹ / ₃₂	144

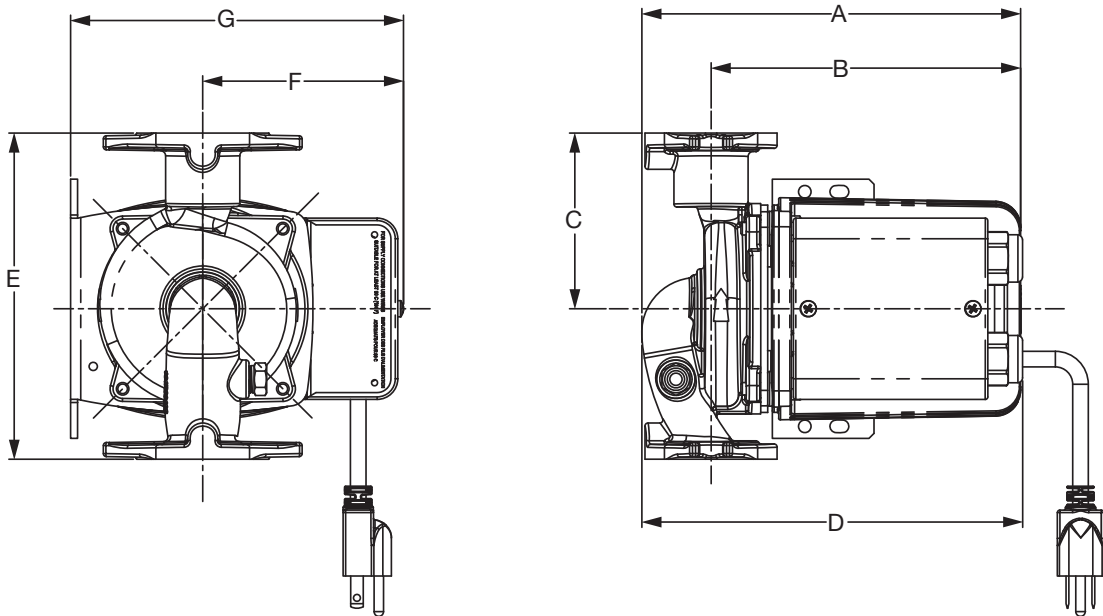


Dimensional and Weight Data (continued):

MODEL 008-DM													
A		B		C		D		E		F		G	
Inch	mm	Inch	mm	Inch	mm	Inch	mm	Inch	mm	Inch	mm	Inch	mm
6½	165	4⅝	118	4	102	7	178	8⅞	209	3⅒	93	5⅒	144



MODEL 0011-DM													
A		B		C		D		E		F		G	
Inch	mm	Inch	mm	Inch	mm	Inch	mm	Inch	mm	Inch	mm	Inch	mm
7½	191	6⅞	156	3½	89	7⅞	192	6½	165	4	102	6⅝	168



COMFORT MADE EASY[®]

TACO, INC., 1160 Cranston Street, Cranston, RI 02920 Telephone: (401) 942-8000 FAX: (401) 942-2360.

TACO (Canada), Ltd., 8450 Lawson Road, Unit #3, Milton, Ontario L9T 0J8. Telephone: 905/564-9422. FAX: 905/564-9436.

Visit our web site at: <http://www.taco-hvac.com>

Printed in USA

Copyright 2011

TACO, Inc.