



# Instruction Sheet

102-135

## “00”-IFC Cartridge Circulators with Integral Flow Check

SUPERSEDES: December 15, 2008

EFFECTIVE: May 1, 2010

Plant ID# 001-1021

### APPLICATION:

1. Maximum operating pressure is 125 psi (862 kPa).
2. Maximum water temperature not to exceed nameplate rating.
3. Cast iron circulators are to be used for closed loop systems. Bronze or Stainless Steel circulators are to be used for open loop, fresh water, or potable water systems.
4. Taco Cartridge circulator pumps are for indoor use only – employer uniquement a l’interieur.

### INSTALLATION:

1. Location – Install the “00”-IFC circulator on the supply side of the boiler “pumping away” from the expansion tank as shown in Figure 1. This is the best pump location for optimum system performance and maintaining positive system pressure.

**CAUTION: If circulator is installed on the return line, purge valve must be placed on the pump discharge to allow proper purging of system air. See Figure 2.**

2. Mounting position – Circulator must be mounted with the motor in a horizontal position. It may be mounted vertically with the motor up, provided that the system cold fill pressure is at least 20 psi (138 kPa).
3. Rotating body – Body has an arrow on the front that indicates direction of flow. To rotate body, remove the four body bolts, rotate body and replace bolts. Make sure that the junction box is NOT located underneath the circulator. (The junction box must NOT be located in the 6 o’clock position, as viewed from the motor end.)
4. Electrical connections – Observe all applicable codes when connecting to power supply. The motor is impedance protected, and does not require overload protection. Either colored wire from the capacitor box can be attached to either colored wire from the power supply. There is no “hot” or “common” wire leading from the capacitor box. Typical installation would be to attach the white wire to the white (common) power supply wire and either the yellow or blue wire to the black (hot) power supply wire. The pump cannot run backwards.
5. Fill system with tap water – The system must be filled before operating the circulator. The bearings are water lubricated and should not be allowed to operate dry. Filling the system will result in immediate lubrication of the bearings. It is always good practice to flush a new system of foreign matter before starting the circulator.
6. Circulator operation – Operate the circulator for 5 minutes immediately after flushing the system to purge remaining air from the bearing chamber. This is especially important when installing the circulator during the off-season.

**WARNING: Do not use in swimming pool or spa areas; pump has not been investigated for this application.**

**WARNING: In the event the retaining screws have been pulled out of the housing, DO NOT replace them. Use of any other screw may short out the stator windings, creating a risk of electrical shock.**

**CAUTION: When installing electrical connections, do not apply mechanical loads to the capacitor box; otherwise, retaining screws may be pulled out of the housing, making circulator unusable.**

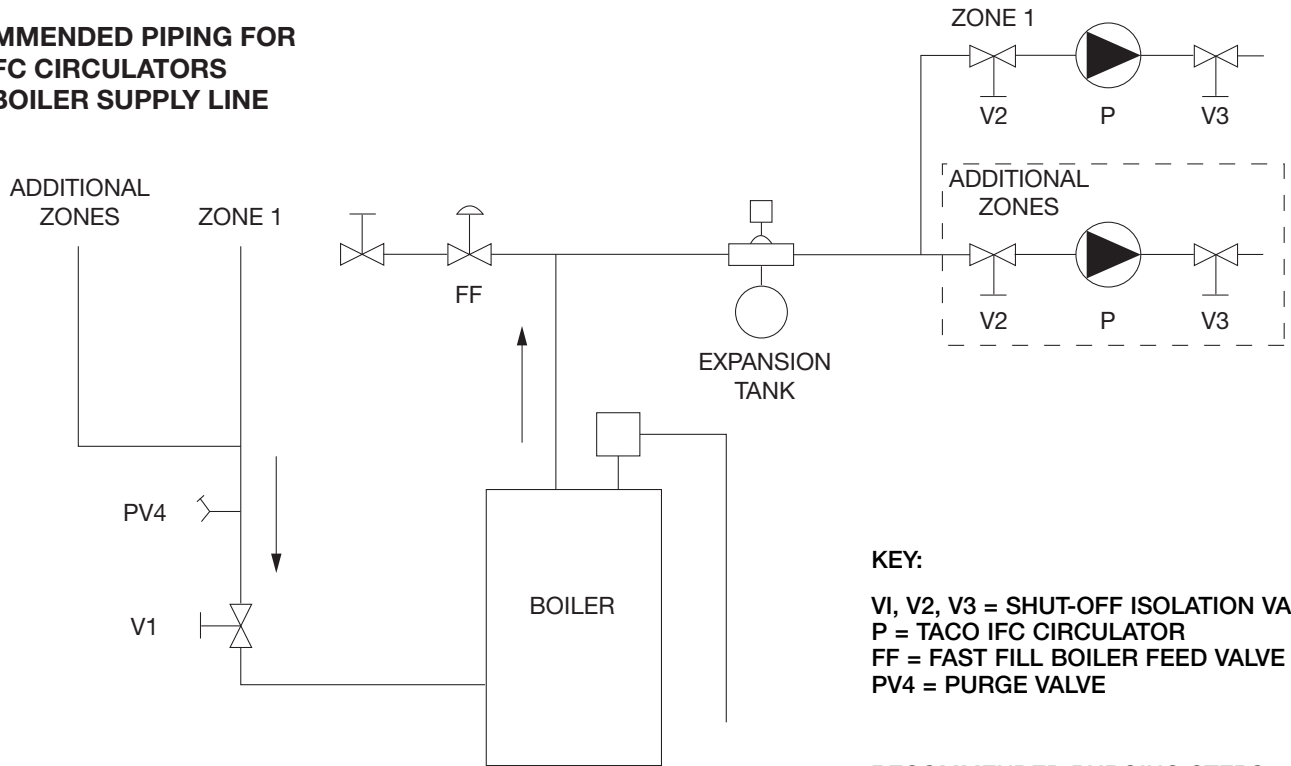
**CAUTION: Installations at higher elevations over 5000 feet must have higher fill pressure of 20 psi minimum to prevent pump cavitation and flashing. Premature failure may result. Adjust expansion tank pressure to equal fill pressure. A larger size expansion tank may be required.**

**CAUTION: 1. The addition of petroleum based fluids or certain chemical additives to systems utilizing TACO equipment voids the warranty.**  
**2. Use supply wires suitable for 90°C – ATTENTION: Employer des fils d’alimentation adequats pour 90°C.**

**WARNING: To avoid electrical shock, disconnect the power supply to the circulator and the main electrical unit.**

**FIGURE 1 – PREFERRED**

**RECOMMENDED PIPING FOR IFC CIRCULATORS ON BOILER SUPPLY LINE**



**KEY:**

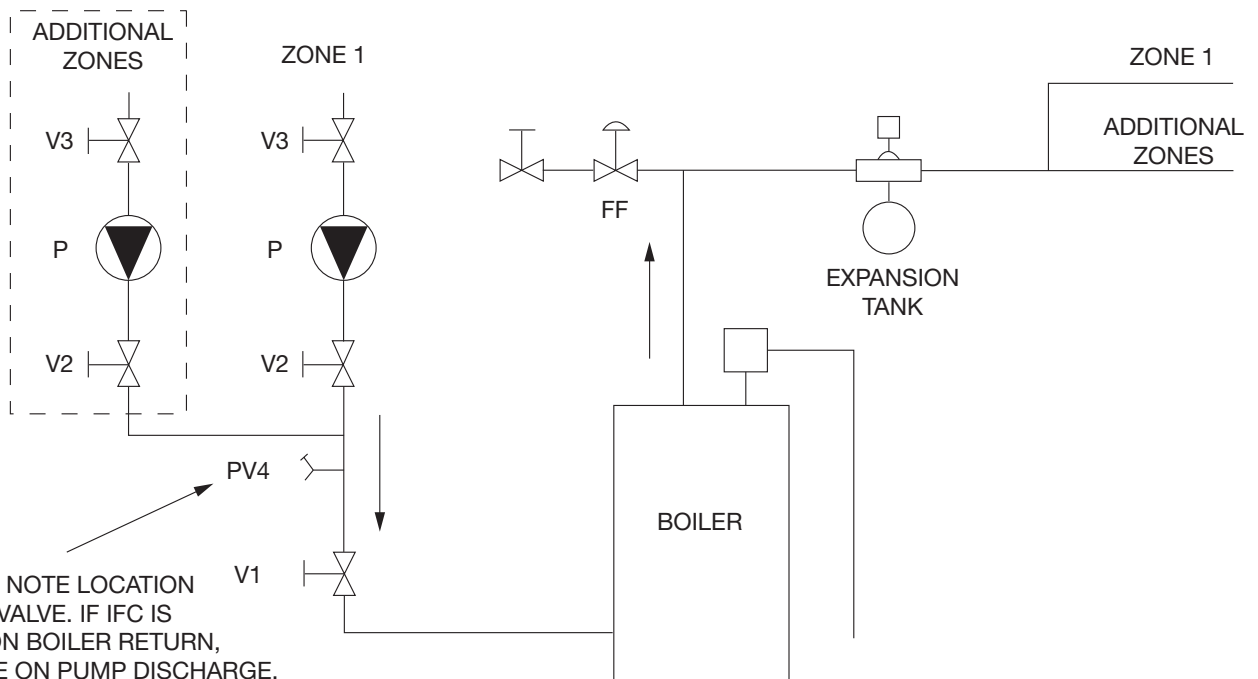
- V1, V2, V3 = SHUT-OFF ISOLATION VALVE**
- P = TACO IFC CIRCULATOR**
- FF = FAST FILL BOILER FEED VALVE**
- PV4 = PURGE VALVE**

**RECOMMENDED PURGING STEPS:**

1. CLOSE V1, PV4, V2
2. OPEN V3
3. OPEN FF VALVE
4. OPEN V2, PV4, TO PURGE ZONE 1
5. CLOSE FF VALVE
6. CLOSE V2, PV4
7. REPEAT STEPS 1 TO 6 FOR EACH ADDITIONAL ZONE
8. OPEN V1 WHEN ALL ZONES ARE PURGED
9. ADJUST SYSTEM TO DESIRED OPERATING FILL PRESSURE IF REQUIRED

**FIGURE 2 – ALTERNATE**

**RECOMMENDED PIPING FOR IFC CIRCULATORS ON BOILER RETURN LINE**



**IMPORTANT:** NOTE LOCATION FOR PURGE VALVE. IF IFC IS INSTALLED ON BOILER RETURN, PV4 MUST BE ON PUMP DISCHARGE.

## PROPER REMOVAL/REPLACEMENT OF THE INTEGRAL FLOW CHECK (IFC)

Your “00” circulator with an Integral Flow Check (IFC) is designed for easy removal, service and replacement. Please follow these instructions to ensure proper service and operation of the circulator.

### REMOVAL:

1. Disconnect power to circulator and related equipment.
2. Shut off water supply. Isolate circulator using service valves or drain system if valves are not available.
- 3.a For models listed in Figure 3 below, remove motor housing by loosening four cap screws.
- 3.b For models listed in Figure 4 below, loosen flange bolts and remove entire circulator from the system to access the IFC.
4. Using needle-nose pliers, carefully grip the IFC's body and slowly remove the IFC.

Note: If your IFC circulator has four channels as shown in Figure 3 below, turn the IFC 45° (clockwise or counter-clockwise). Position the four guide vanes half-way between the four channels, then slowly remove the IFC from the pump casing. The channels are designed to lock the IFC in place. Turning the valve 45° unlocks the valve for easy removal.

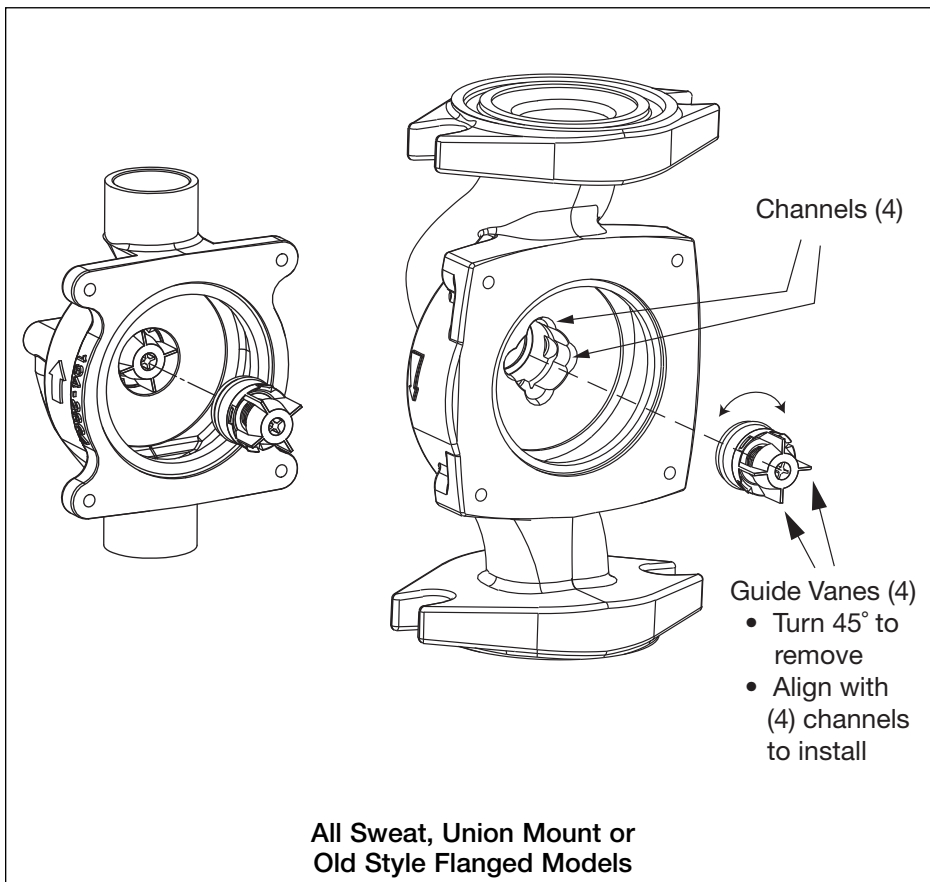
### REPLACEMENT:

1. Make sure the IFC pocket is clean and free of any debris or particulates.
2. Position IFC into the machined pocket inside the casing as shown in the diagrams below. Firmly press the IFC into the pocket until it snaps into place.

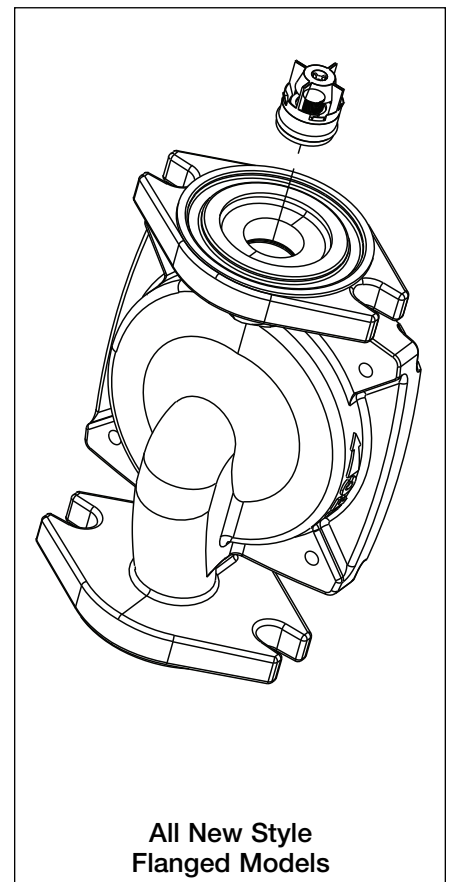
Note: If your IFC circulator has four channels as shown in Figure 3 below, align the four guide vanes with the four channels as shown. Firmly press the IFC into the pocket until it snaps into place.

3. Replace O-ring and reattach motor housing; or reinstall entire circulator with new flange gasket.
4. Open water supply and refill system. Check for any leaks.
5. Reconnect power to circulator and check for proper operation of system.

**Figure 3:** View of IFC on suction side of “00” pump casing, with motor housing removed.



**Figure 4:** View of IFC in discharge flange of “00” pump casing.



### REPLACING MOTOR ASSEMBLY:

1. Disconnect the electrical supply.
2. Reduce system pressure to 0 psi and allow system to return to room temperature. Isolate the circulator by closing the service valves or draining the system.
3. Remove the body bolts and swing motor assembly away from the body.
4. Install new motor, and reassemble circulator using the new gasket and bolts supplied.
5. Follow the "installation" procedure to start up the circulator

### REPLACING CARTRIDGE ASSEMBLY:

1. Disconnect the electrical supply.
2. Reduce system pressure to 0 psi and allow system to return to room temperature. Isolate the circulator by closing the service valves or draining the system.
3. Remove the body bolts and swing motor assembly away from the body.
4. Pull cartridge out of the motor housing.
5. Install replacement cartridge, making sure that the cover plate is between the cartridge flange and motor.
6. Make sure the replacement cartridge corresponds to the full circulator product number. A complete parts list is available from your local plumbing supply wholesaler.
7. Reassemble the circulator using the new gasket and bolts supplied.
8. Follow the "Installation" procedure to start up the circulator.

### REPLACING CAPACITOR:

1. Replacement capacitor must have same rating as originally furnished.

## LIMITED WARRANTY STATEMENT

Taco, Inc. will repair or replace without charge (at the company's option) any Taco 00 Series circulator or circulator part which is proven defective under normal use within three (3) years from the date of manufacture.

In order to obtain service under this warranty, it is the responsibility of the purchaser to promptly notify the local Taco stocking distributor or Taco in writing and promptly deliver the subject product or part, delivery prepaid, to the stocking distributor. For assistance on warranty returns, the purchaser may either contact the local Taco stocking distributor or Taco. If the subject product or part contains no defect as covered in this warranty, the purchaser will be billed for parts and labor charges in effect at time of factory examination and repair.

Any Taco product or part not installed or operated in conformity with Taco instructions or which has been subject to misuse, misapplication, the

addition of petroleum-based fluids or certain chemical additives to the systems, or other abuse, will not be covered by this warranty.

If in doubt as to whether a particular substance is suitable for use with a Taco product or part, or for any application restrictions, consult the applicable Taco instruction sheets or contact Taco at (401-942-8000).

Taco reserves the right to provide replacement products and parts which are substantially similar in design and functionally equivalent to the defective product or part. Taco reserves the right to make changes in details of design, construction, or arrangement of materials of its products without notification.

**TACO OFFERS THIS WARRANTY IN LIEU OF ALL OTHER EXPRESS WARRANTIES. ANY WARRANTY IMPLIED BY LAW INCLUDING WARRANTIES OF MERCHANTABILITY OR FITNESS IS IN EFFECT ONLY FOR THE DURA-**

**TION OF THE EXPRESS WARRANTY SET FORTH IN THE FIRST PARAGRAPH ABOVE.**

**THE ABOVE WARRANTIES ARE IN LIEU OF ALL OTHER WARRANTIES, EXPRESS OR STATUTORY, OR ANY OTHER WARRANTY OBLIGATION ON THE PART OF TACO.**

**TACO WILL NOT BE LIABLE FOR ANY SPECIAL, INCIDENTAL, INDIRECT OR CONSEQUENTIAL DAMAGES RESULTING FROM THE USE OF ITS PRODUCTS OR ANY INCIDENTAL COSTS OF REMOVING OR REPLACING DEFECTIVE PRODUCTS.**

This warranty gives the purchaser specific rights, and the purchaser may have other rights which vary from state to state. Some states do not allow limitations on how long an implied warranty lasts or on the exclusion of incidental or consequential damages, so these limitations or exclusions may not apply to you.

## COMFORT MADE EASY®

TACO, INC., 1160 Cranston Street, Cranston, RI 02920 Telephone: (401) 942-8000 FAX: (401) 942-2360.

TACO (Canada), Ltd., 8450 Lawson Road, Unit #3, Milton, Ontario L9T 0J8. Telephone: 905/564-9422. FAX: 905/564-9436.

Visit our web site at: <http://www.taco-hvac.com>

Printed in USA

Copyright 2010

TACO, Inc.