

# STA-RITE® SSJ Series

Cast iron vertical jet pumps



The SSJ Series Vertical Jet Pumps are the industry standard deep well jet pumps for over-the-well "bolt-on" installations.

The SSJ Series Jet Pumps include the pre-plumbed external automatic regulator, pressure gauge, pressure switch, and a complete line of casing adapters to drive the 4" double pipe or 2" and 3" single pipe jet packages.

## APPLICATIONS

Water systems and sprinkling...for homes, farms and cottages.

## SPECIFICATIONS

**Body:** Rugged cast iron

**Pump and Motor Shaft:** Stainless steel

**Impellers:** Noryl®

**Diffuser:** Heavy-duty cast iron

## FEATURES

**Automatic Pressure Regulator:** Faster-acting, quieter design eliminates "hunting" for correct drive pressure. New, improved stem and guide are precisely molded to assure efficient, trouble-free performance on all deep wells.

**Quality Construction:** Precision-machined, close-grained cast iron pump body and base are specially treated to resist corrosion.

**Noryl Impellers:** Precision-molded for perfect balance, and ultra-smooth for highest performance and efficiency.

**Pressure Switch:** High quality. Differential and cut-in/cut-out pressure settings are adjustable.

**Dustproof Cover:** All electrical components are protected from dirt, dust and insects by a dustproof canopy. Ventilating air cannot contaminate vital switching components. This eliminates the most common cause of motor failure.

**Motor Windings:** Superior insulation materials protect against excessive moisture and contaminants to ensure prolonged motor life.

**Balanced Rotor:** Diecast under high pressures for uniform performance and greater efficiency...dynamically balanced.

**Heavy-Duty Ball Bearings:** Shielded, permanently lubricated bearings are extensively tested to ensure extended life and smooth, quiet operation.

**Pump and Motor Shaft:** Stainless steel for maximum corrosion resistance; one-piece threaded shaft for positive impeller drive and alignment.

## ORDERING INFORMATION

CATALOG NUMBER	HP	DESCRIPTION	PIPE TAPPING SIZES			MOTOR VOLTAGE	APPROX. WT. LBS.
			SUCT.	DRIVE	DISCH.		
SSJC	1/2	Deep Well Jet	1-1/4"	1"	1"	115/230	53
SSJD	3/4	Deep Well Jet	1-1/4"	1"	1"	115/230	63
SSJE	1	Deep Well Jet	1-1/4"	1"	1"	115/230	65

## ADAPTER FLANGE\*

CATALOG NUMBER	DESCRIPTION	USED WITH
J216-26	1-1/4" x 1"	Offset single pipe and 4" double pipe

\*Required for all 4" double pipe or offset installations.

NOTE: Order pump from ordering information table above. A Jet Package should be ordered with every SSJ Series Pump. All installations require an appropriate size adapter flange or casing adapter.

Noryl® is registered trademark of General Electric Co.

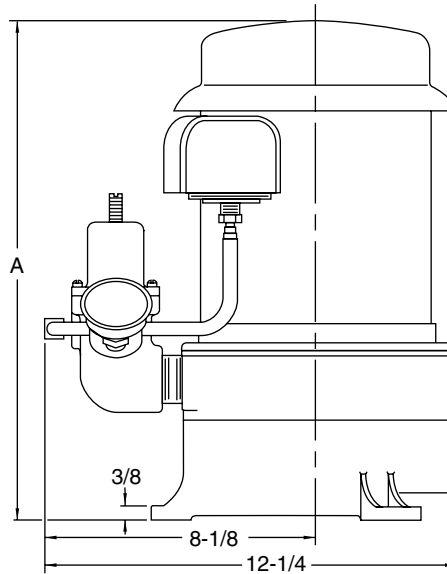
All other brand or product names are trademarks or registered trademarks of Pentair Ltd.

# STA-RITE® SSJ Series

Cast iron vertical jet pumps

## OUTLINE DIMENSIONS

CAT. NO.	A
SSJC	14-1/2
SSJD	15-1/8
SSJE	16-3/16



Dimensions (in inches) are for estimating purposes only.

## PUMP PERFORMANCE (CAPACITY IN GALLONS PER MINUTE) DEEP WELL (40 PSI) 4" DOUBLE PIPE

CAT. NO.	HP	JET NO.	USES VENTURI	USES NOZZLE	PUMPING DEPTH IN FEET													MAX. PUMP SHUT-OFF PRESS. PSI	
					20'	30'	40'	50'	60'	70'	80'	90'	100'	110'	120'	130'	JET AT MIN. DEPTH	JET AT MAX. DEPTH	
SSJC	1/2	15SD	J32P-18	J34P-42		4.8	4.3	3.7	3.0	2.4	1.8	1.5	1.0	0.5			91	50	
		CK4	J32P-32	J34P-35	9.5	7.0	4.5	2.0									62	44	
		4SD	J32P-24	J34P-41		6.5	5.1	4.0	3.0	1.8	0.8							75	45
SSJD	3/4	CK1	J32P-22	J34P-43		8.3	7.4	6.3	5.3	3.8	3.5	2.6	1.8	1.0			88	46	
		CK3	J32P-32	J34P-41		10.0	6.4	3.0									57	46	
		4SD	J32P-24	J34P-41		8.6	7.5	6.5	5.2	4.0	2.9	1.8	0.8				93	51	
SSJE	1	CK1	J32P-22	J34P-43		8.6	7.8	6.6	5.6	4.5	3.6	2.8	2.3	1.7	1.1	0.6	98	47	
		CK4	J32P-28	J34P-45		11.4	10.7	9.6	8.3	7.0	5.0	3.3	1.6				102	48	
		CK4	J32P-38	J34P-45	17.0	13.2	9.5	5.8	2.2								66	44	

Tested and rated in accordance with Water Systems Council Standards.

NOTE: Pumps installed with a Pro-Source® tank require a 100 PSI relief valve. Pumps installed with a conventional tank require a 75 PSI relief valve. Relief valve must be capable of relieving entire flow of pump at relief pressure.

# STA-RITE® SSJ Series

Cast iron vertical jet pumps

<b>PUMP PERFORMANCE (CAPACITY IN GALLONS PER MINUTE) DEEP WELL (40 PSI) 2" SINGLE PIPE</b>																			
CAT. NO.	HP	JET NO.	USES VENTURI	USES NOZZLE	PUMPING DEPTH IN FEET													MAX. PUMP SHUT-OFF PRESS. PSI	
					20'	30'	40'	50'	60'	70'	80'	90'	100'	110'	120'	130'	JET AT MIN. DEPTH	JET AT MAX. DEPTH	
SSJC	1/2	14AP	J32P-32	J34P-45	9.2	6.7	4.3										61	49	
		10AP	J32P-24	J34P-44		6.2	4.8	3.7	2.3	1.2							71	47	
		8AP	J32P-18	J34P-42		4.1	3.7	3.1	2.6	2.1	1.6	1.2	0.8				94	53	
SSJD	3/4	15AP	J32P-33	J34P-41	12.3	9.2	5.7										57	48	
		9AP	J32P-29	J34P-44		10.6	7.4	4.7	2.3								64	47	
		8AP	J32P-18	J34P-42		5.0	4.7	4.2	3.8	3.3	3.3	2.3	1.8	1.3			109	62	
SSJE	1	16AP	J32P-38	J34P-45	15.3	11.8	8.5	5.2									65	48	
		9AP	J32P-29	J34P-44		12.3	9.3	6.4	4.0								72	53	
		8AP	J32P-18	J34P-42		5.7	5.0	4.6	4.2	3.7	3.3	2.8	2.4	1.8	1.3		124	66	
<b>DEEP WELL (40 PSI) 3" SINGLE PIPE</b>																			
SSJC	1/2	19CP	J32P-24	J34P-41		6.5	5.1	4.0	3.0	1.8	0.8						75	45	
		16CP	J32P-18	J34P-42		4.8	4.3	3.7	3.0	2.4	1.8	1.5	1.0	0.5			91	50	
		11CP	J32P-32	J34P-45	9.5	7.0	4.5	2.0									62	44	
SSJD	3/4	26CP	J32P-33	J34P-41	13.0	9.8	6.0										58	49	
		19CP	J32P-24	J34P-41		8.6	7.5	6.5	5.2	4.0	2.9	1.8	0.8				93	51	
		17CP	J32P-29	J34P-44		11.5	8.0	5.2	2.6								66	48	
		15CP	J32P-22	J34P-43		8.3	7.4	6.3	5.3	3.8	3.5	2.6	1.8	0.1			88	46	
SSJE	1	19CP	J32P-24	J34P-41		7.9	7.5	7.2	6.5	5.6	4.4	2.8					105	69	
		15CP	J32P-22	J34P-43		8.6	7.8	6.6	5.6	4.5	3.6	2.8	2.3	1.7	1.1	0.6	98	47	
		10CP	J32P-38	J34P-45	17.0	13.2	9.5	5.8	2.2								66	44	

Tested and rated in accordance with Water Systems Council Standards.

NOTE: Pumps installed with a Pro-Source® tank require a 100 PSI relief valve. Pumps installed with a conventional tank require a 75 PSI relief valve. Relief valve must be capable of relieving entire flow of pump at relief pressure.



293 WRIGHT STREET, DELAVAN, WI 53115 WWW.STA-RITE.COM PH: 888-782-7483 ORDERS FAX: 800-426-9446  
Because we are continuously improving our products and services, Pentair reserves the right to change specifications without prior notice.

S4512WS (05/20/13)