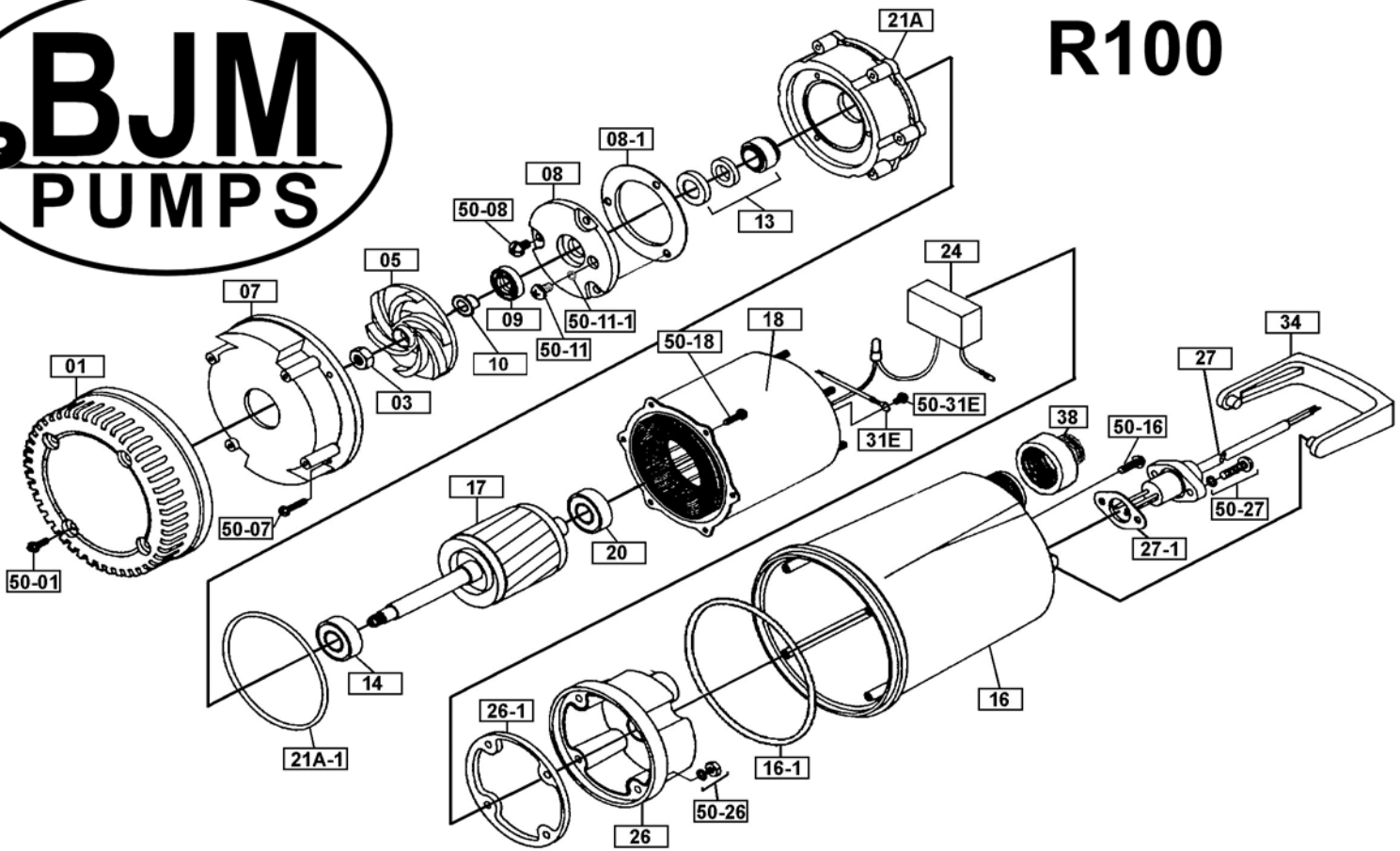
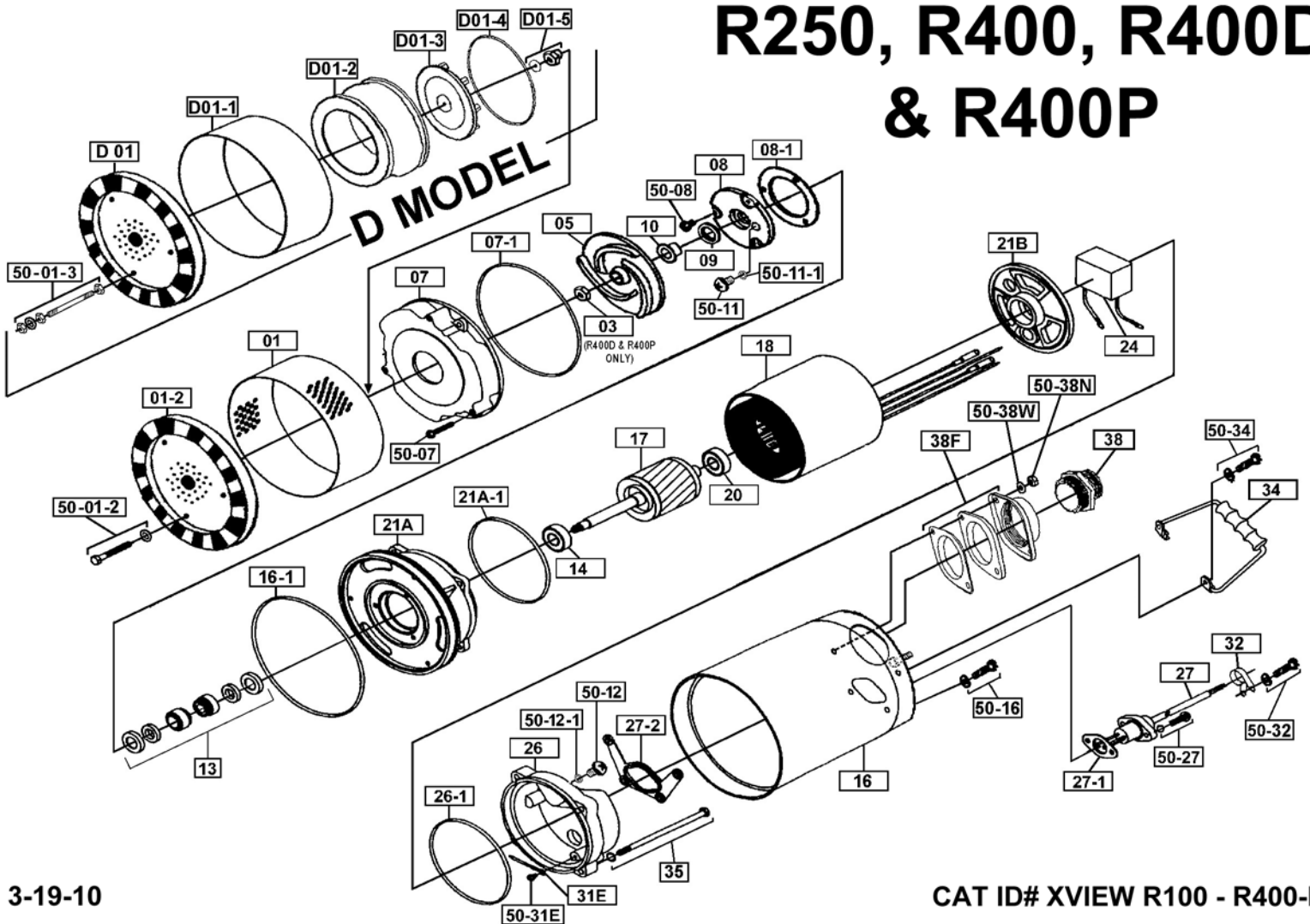




R100

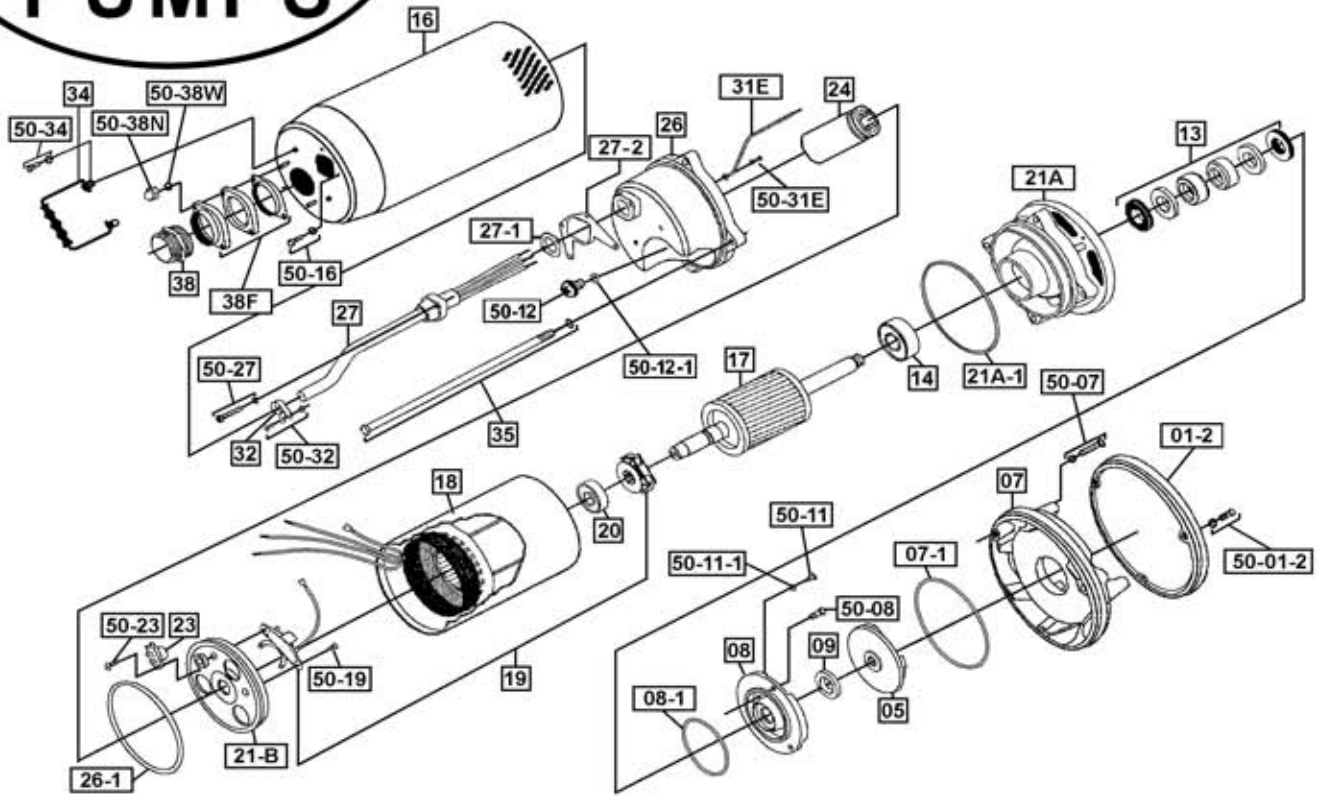


R250, R400, R400D & R400P





R750, R1500, R1520 & R1530



R08, R15

