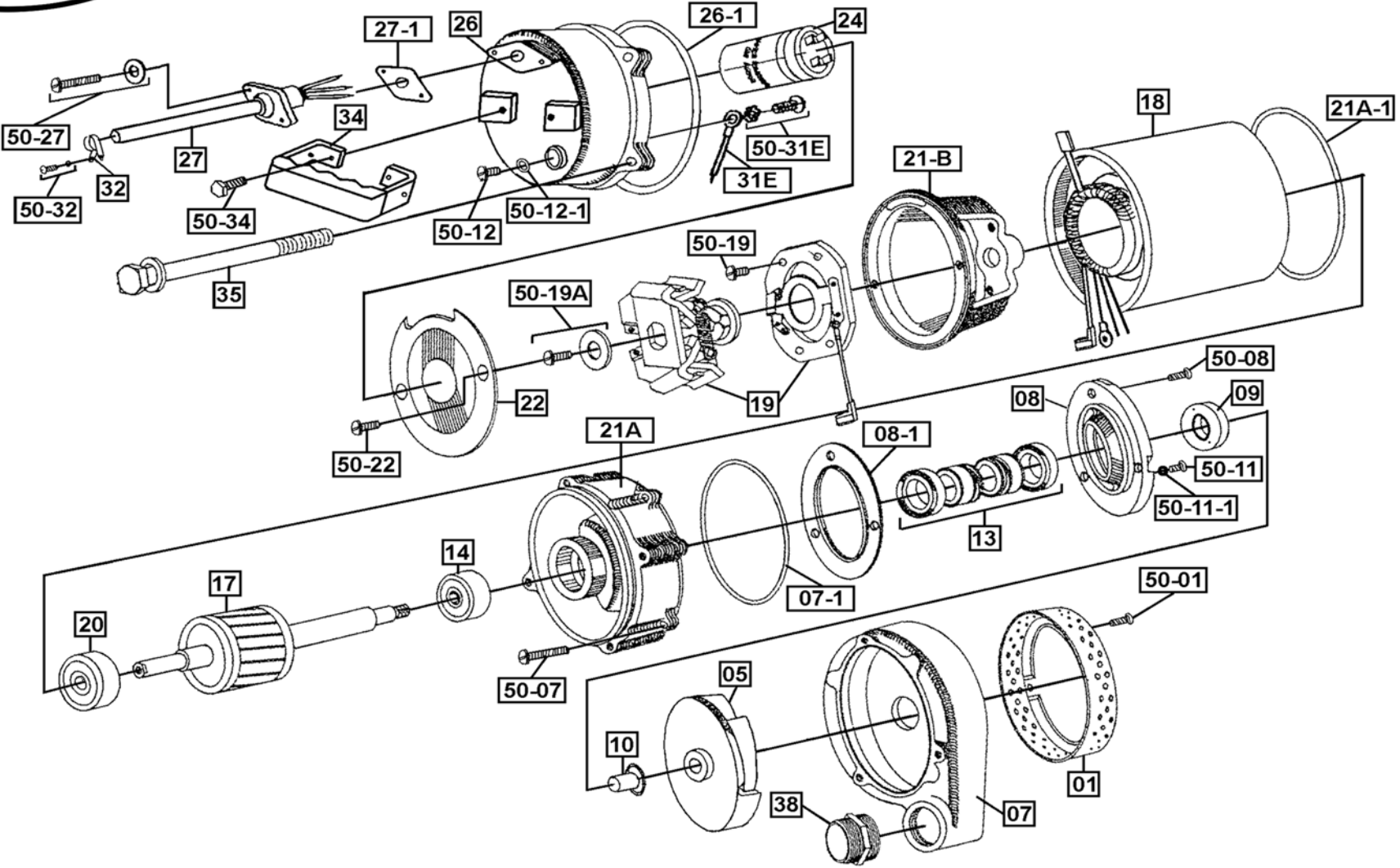




# JX400SS

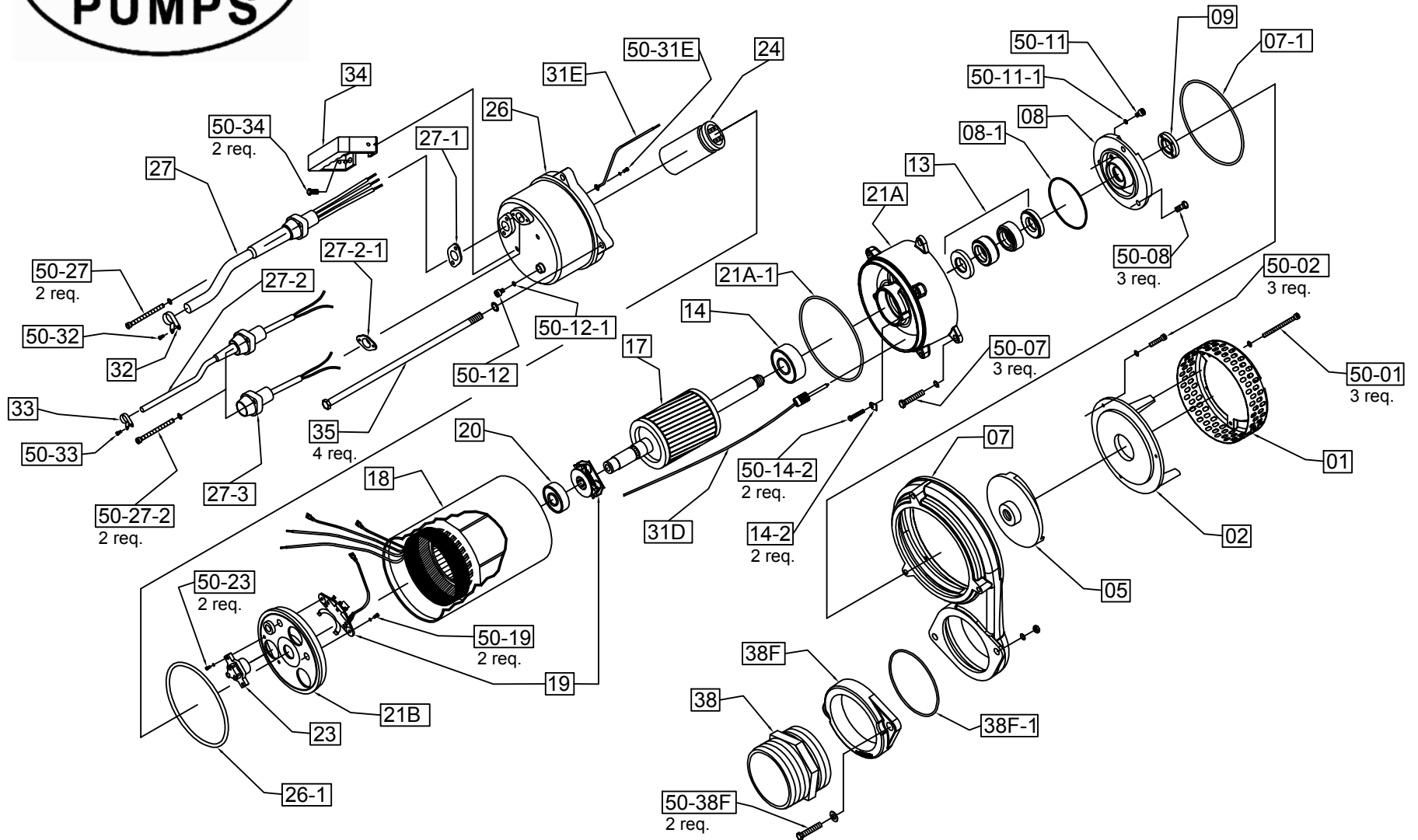


**NOTE:** Seal Minder (Pos# 27-2, 33, 50-33) is an optional component.  
JX Series pumps come with Seal Minder cap only (Pos# 27-3)..



# JX750SS, JX1500SS, JX1500HSS(PRECISION CAST MODELS)

NOTE: Seal Minder (Pos#27-2, 33, 50-33) is an optional component. JX-Series pumps come with Seal Minder Cap only (Pos#27-3)



BJM Pumps, LLC. - 123 SPENCER PLAIN ROAD, OLD SAYBROOK, CT 06475 - PHONE: 860-399-5937 - FAX: 860-399-7784

REVISION 11/2/2007

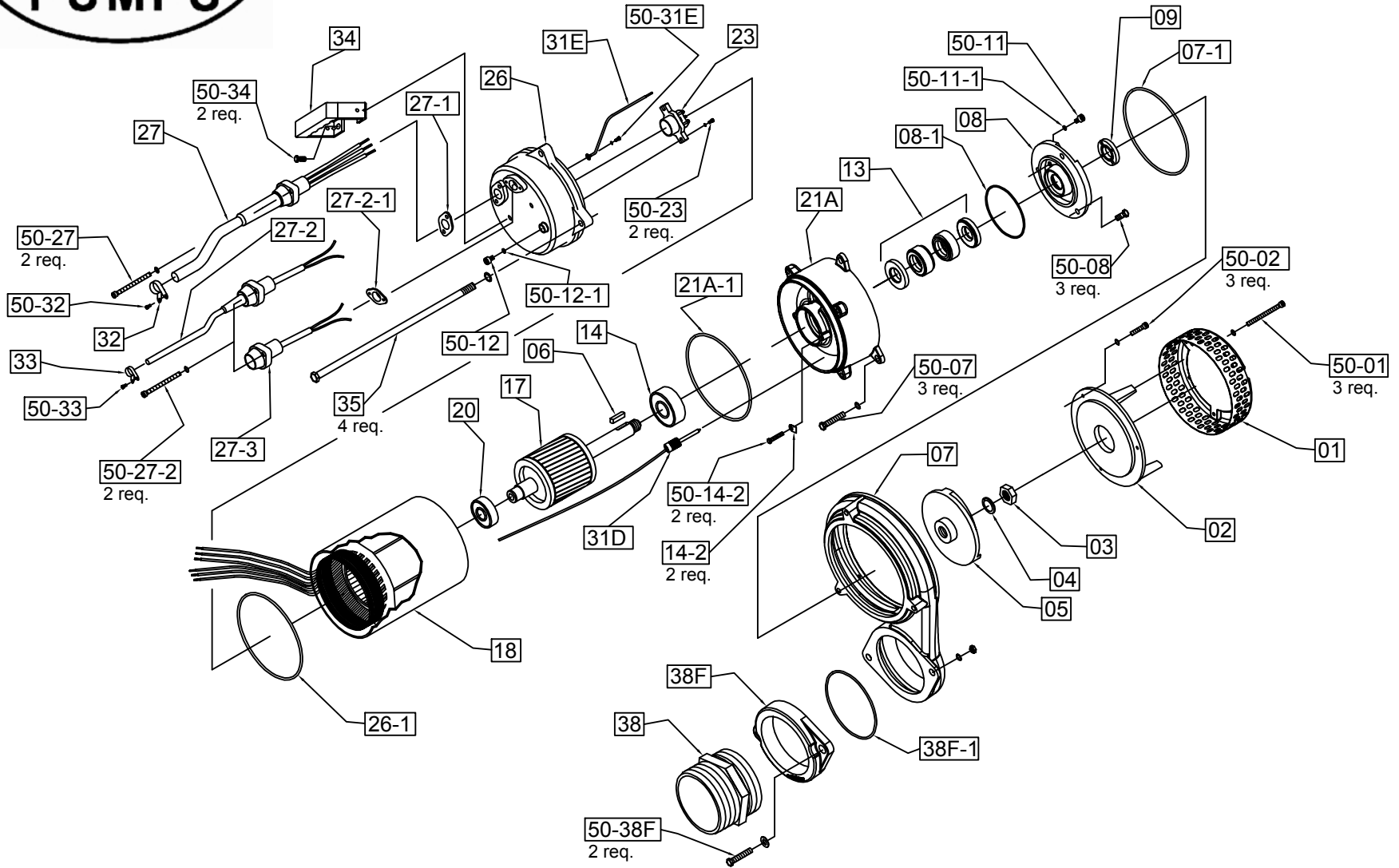
Page 1 of 1

SPECIFICATIONS SUBJECT TO CHANGE WITHOUT NOTICE



# JX08SS, JX15SS, JX15HSS (PRECISION CAST MODELS)

NOTE: Seal Minder (Pos#27-2, 33, 50-33) is an optional component. JX-Series pumps come with Seal Minder Cap only (Pos#27-3)



BJM Pumps, LLC. - 123 SPENCER PLAIN ROAD, OLD SAYBROOK, CT 06475 - PHONE: 860-399-5937 - FAX: 860-399-7784

REVISION 11/2/2007

Page 1 of 1

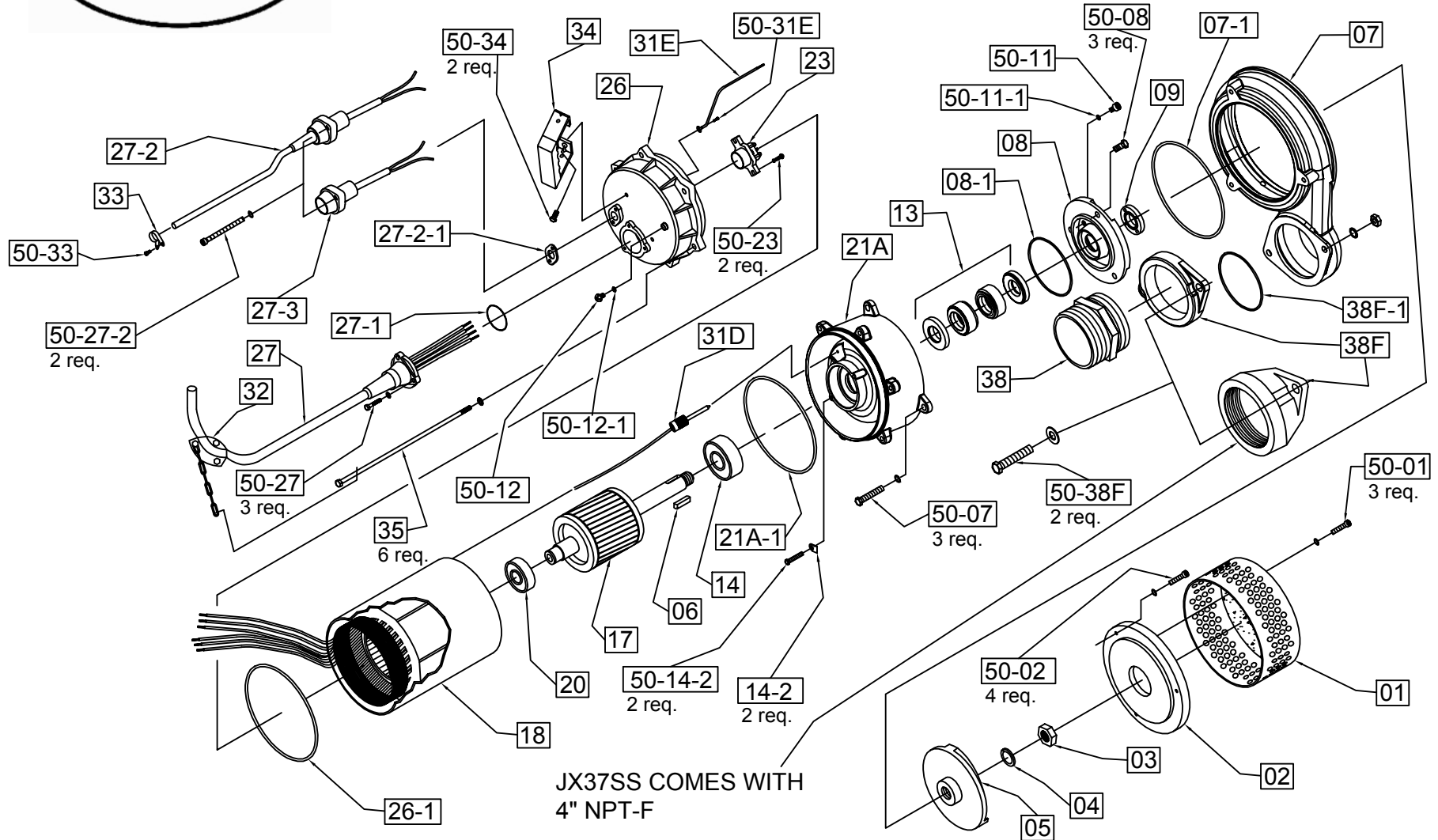
SPECIFICATIONS SUBJECT TO CHANGE WITHOUT NOTICE



# JX22SS, JX22HSS, JX37SS, JX37HSS

## (PRECISION CAST MODELS)

NOTE: Seal Minder (Pos#27-2, 33, 50-33) is an optional component. JX-Series pumps come with Seal Minder Cap only (Pos#27-3)



BJM Pumps, LLC. - 123 SPENCER PLAIN ROAD, OLD SAYBROOK, CT 06475 - PHONE: 860-399-5937 - FAX: 860-399-7784

REVISION 11/8/2007

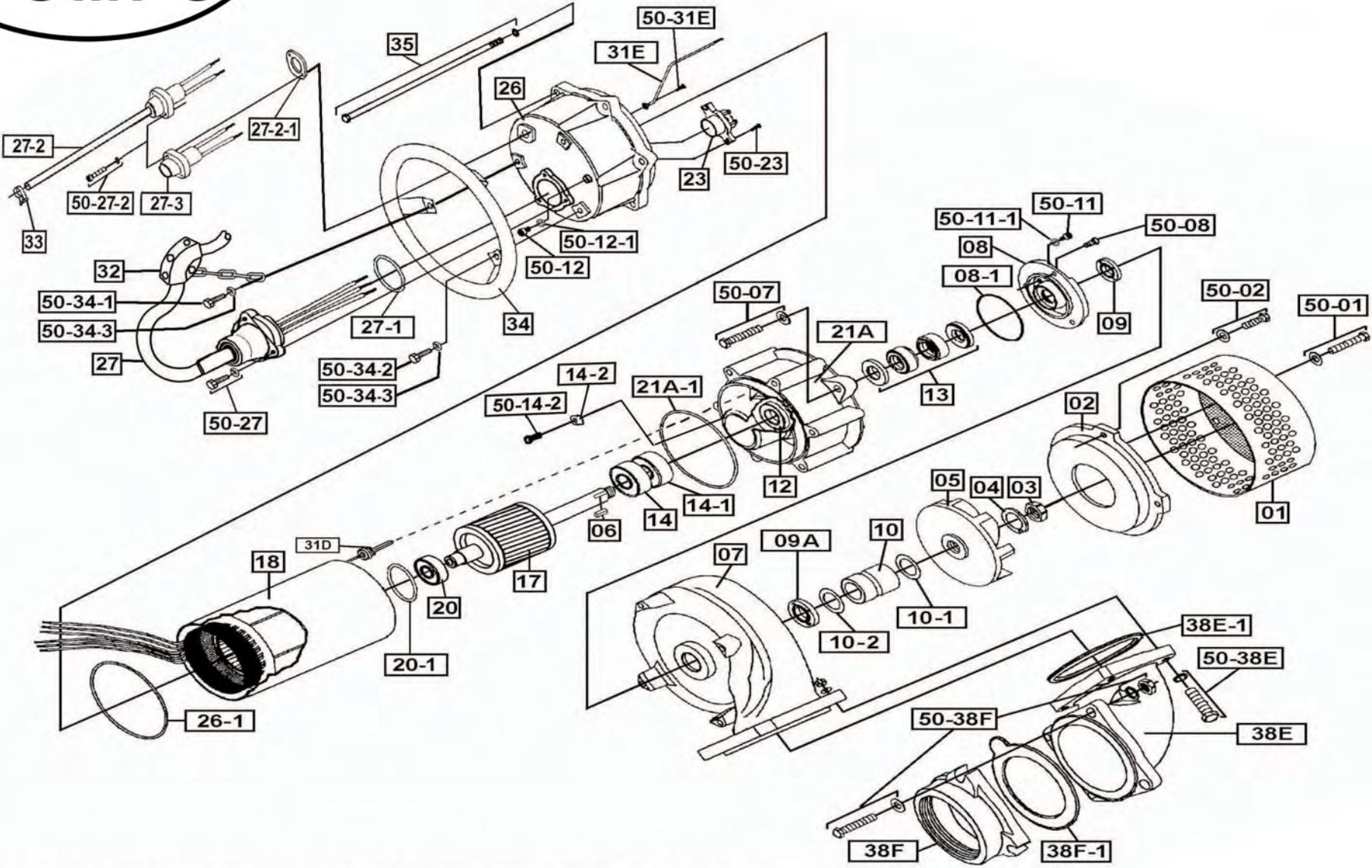
Page 1 of 1

SPECIFICATIONS SUBJECT TO CHANGE WITHOUT NOTICE





# JX55SS, JX55CHSS JX75CSS, JX75CHSS



NOTE: Seal Minder (Pos# 27-2, 33, 50-33) is an optional component.  
JX Series pumps come with Seal Minder cap only (Pos# 27-3)..