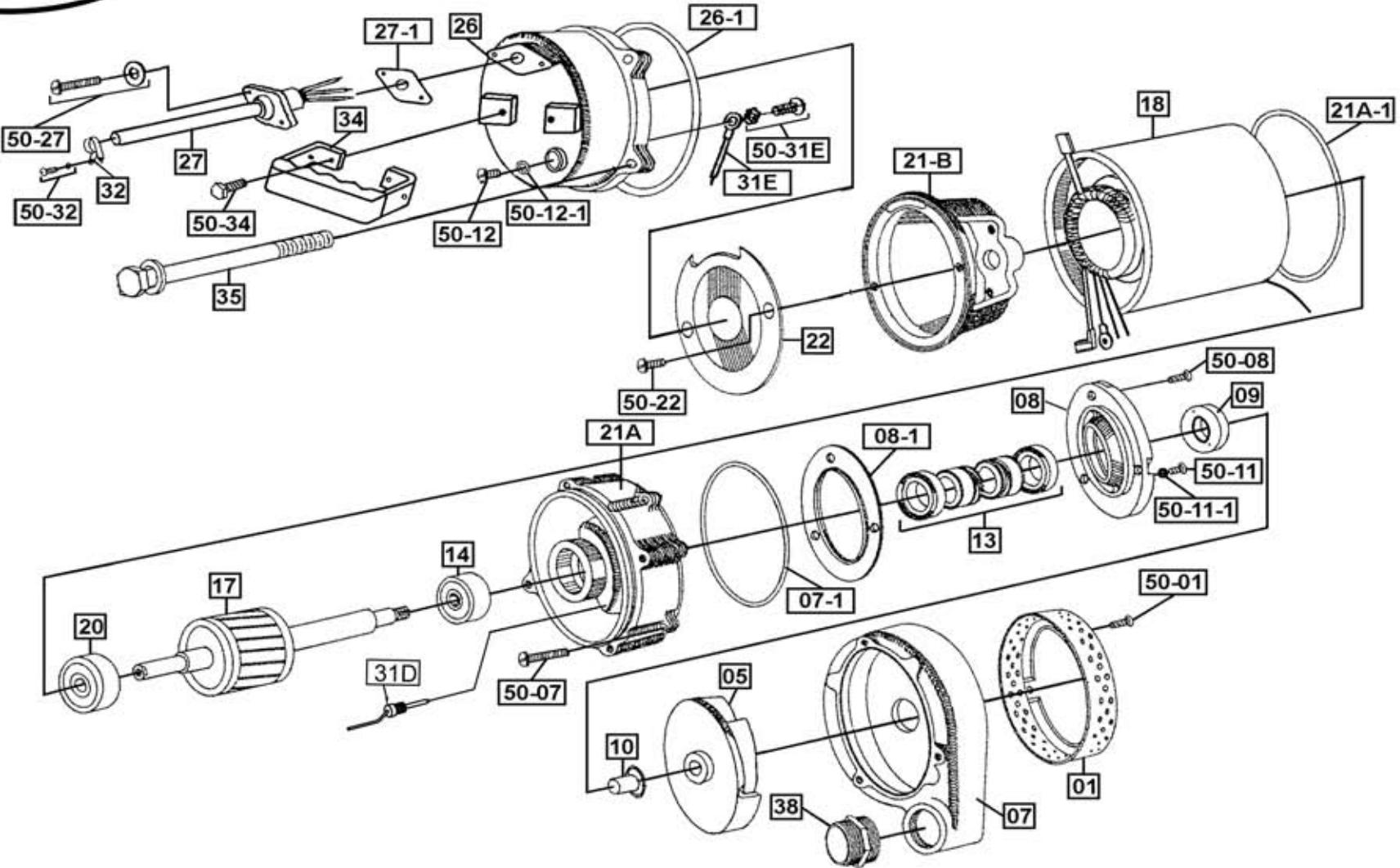




# JX400SS-F

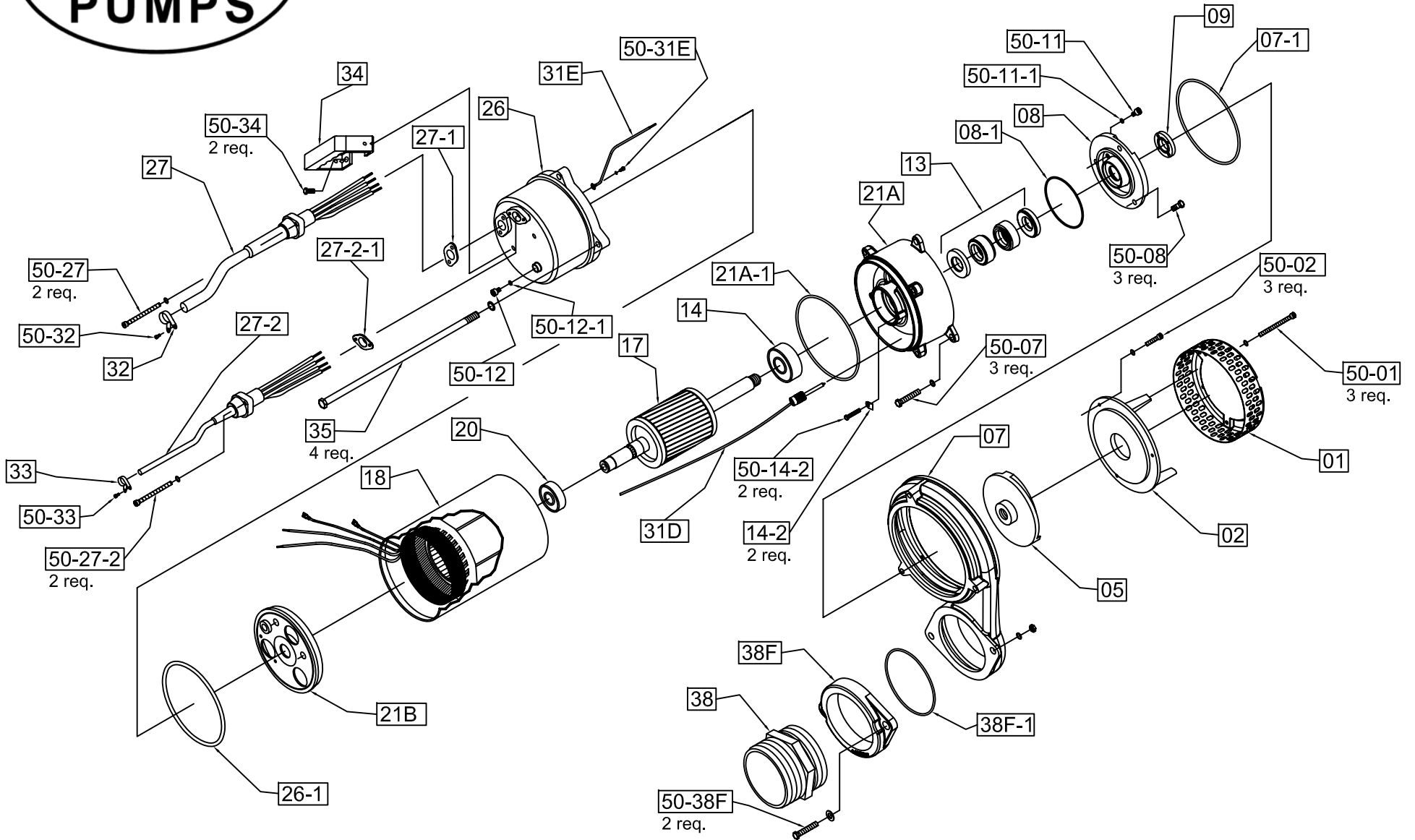
HIGH TEMPERATURE





# JX750SSF, JX1500SSF, JX1500HSSF

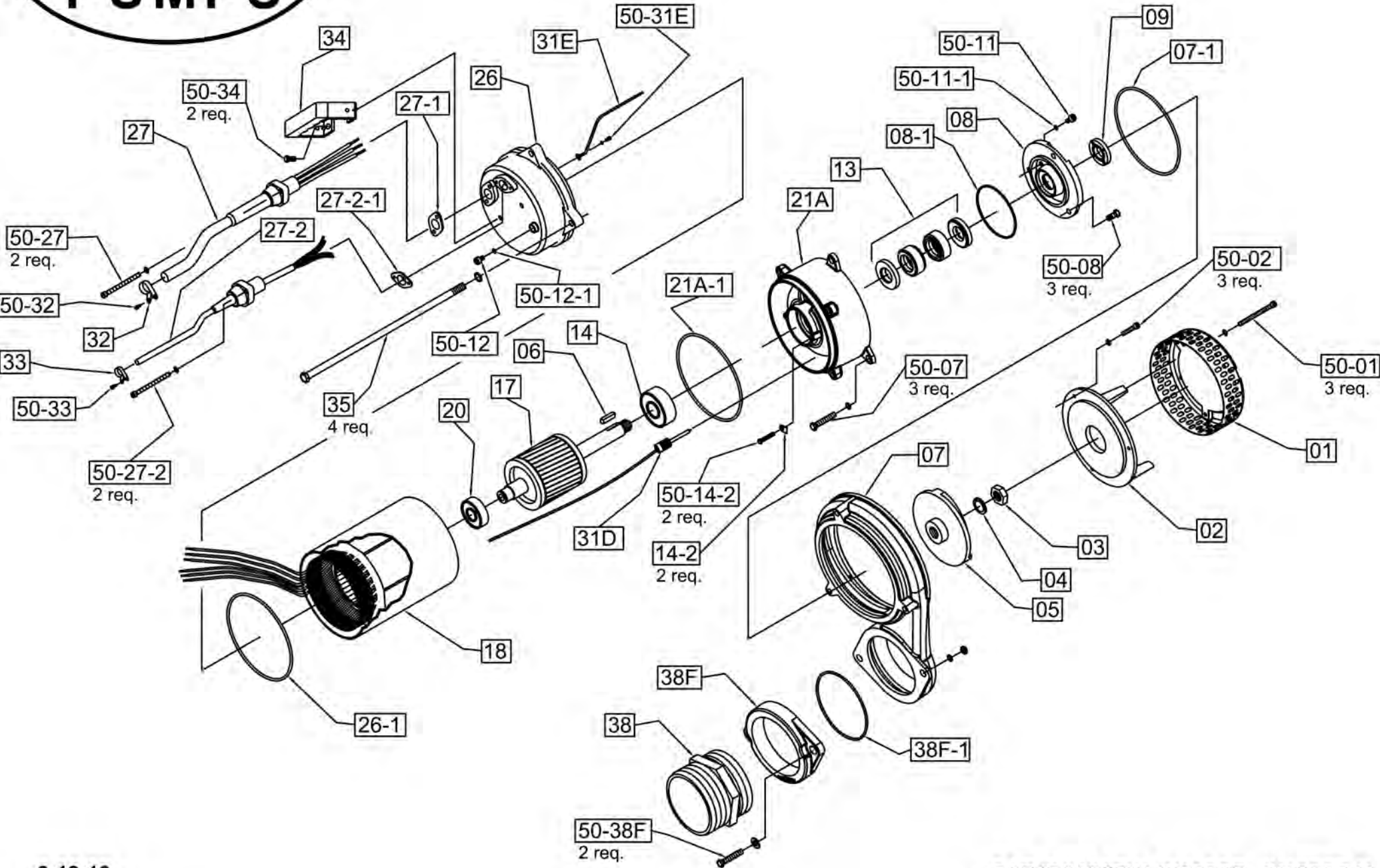
HIGH TEMPERATURE





# JX08SSF, JX15SF, JX15HF

HIGH TEMPERATURE





# JX22SSF, JX37SF

HIGH TEMPERATURE

