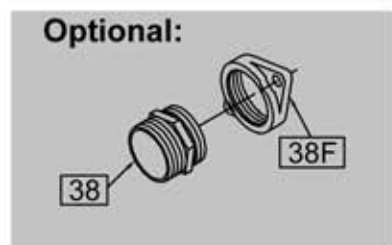
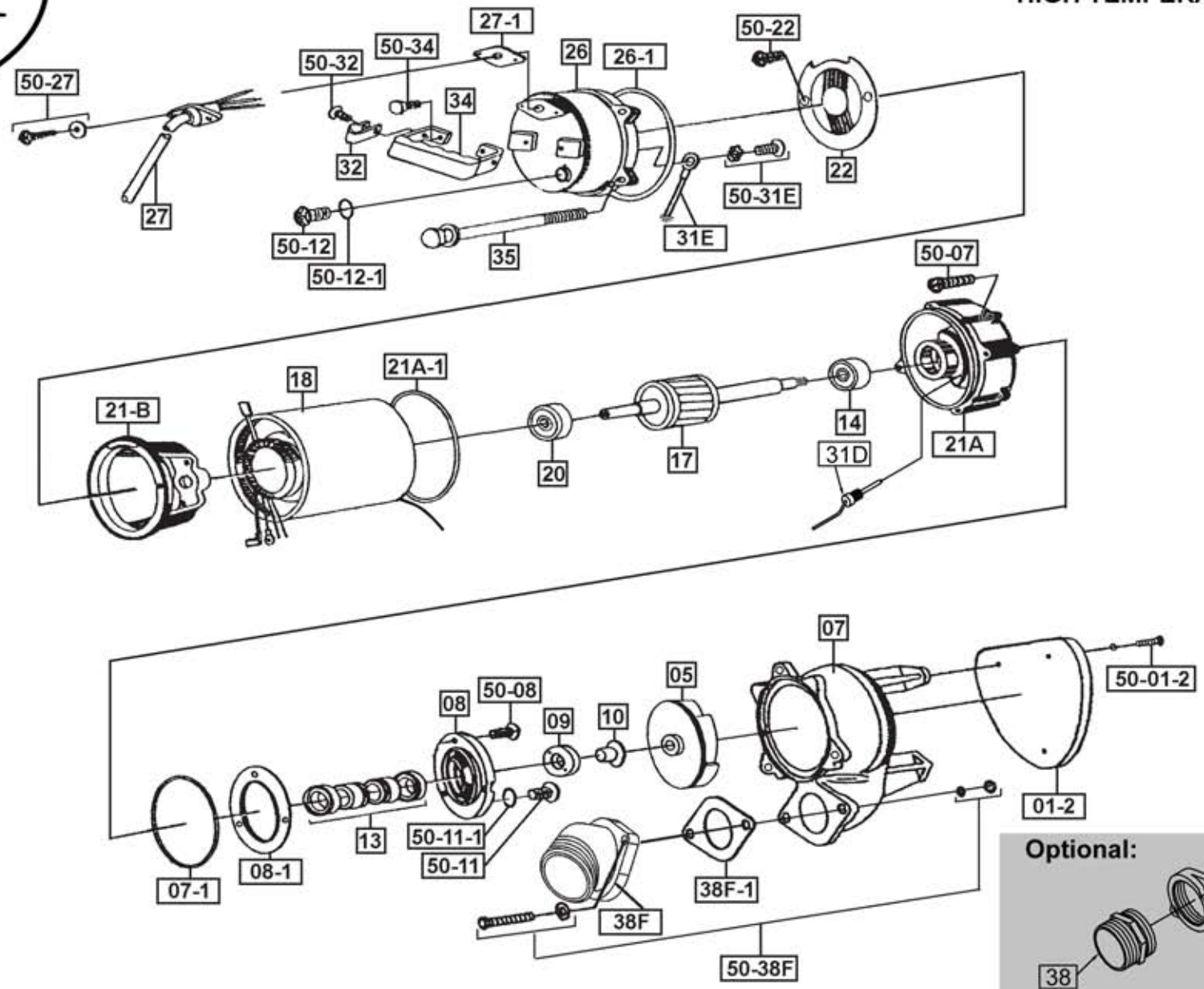




# SV400-F

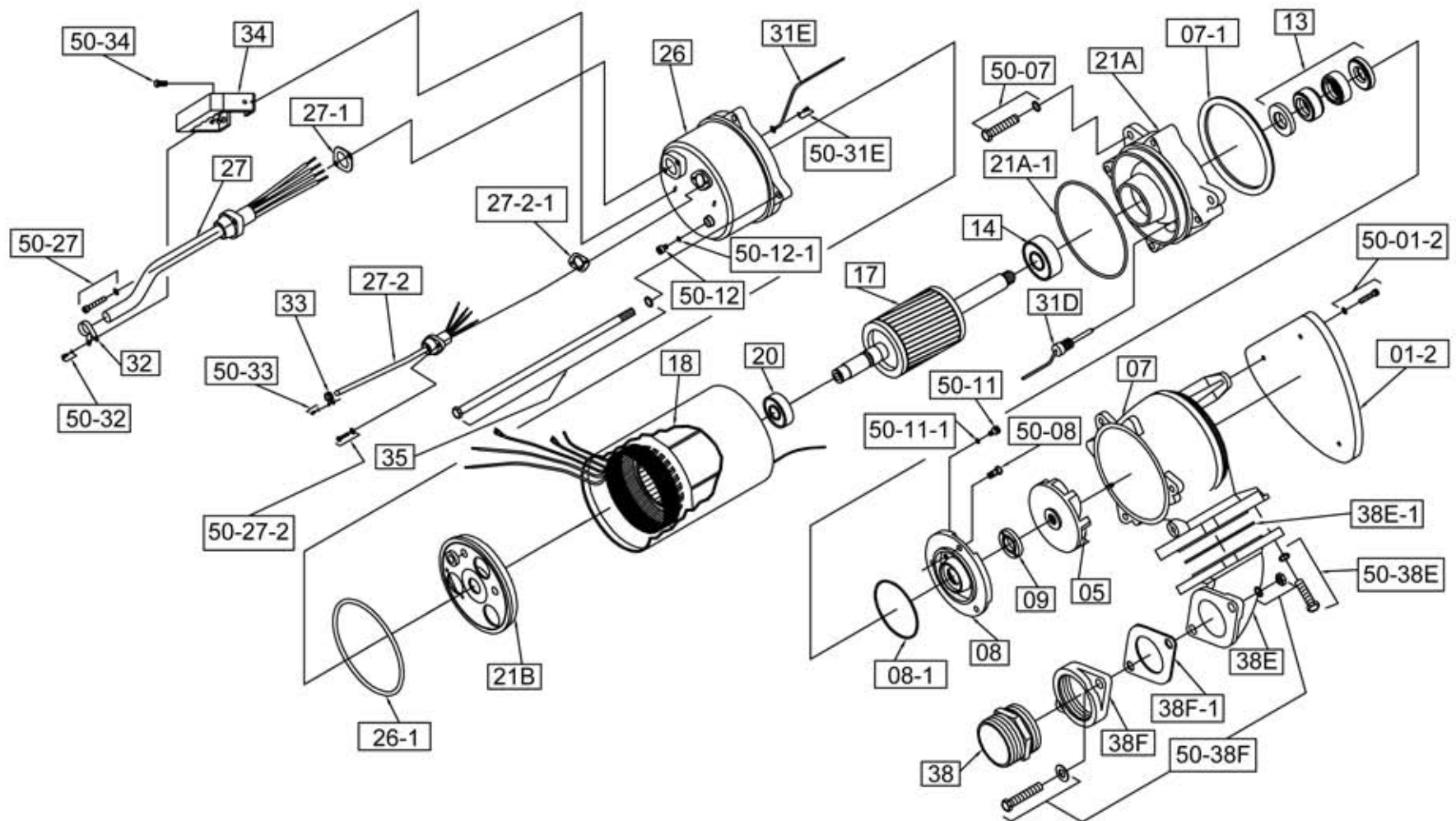
HIGH TEMPERATURE





# SV750C-F

HIGH TEMPERATURE





# SV1500-F

HIGH TEMPERATURE

