

# Series 4030 base mounted pumps

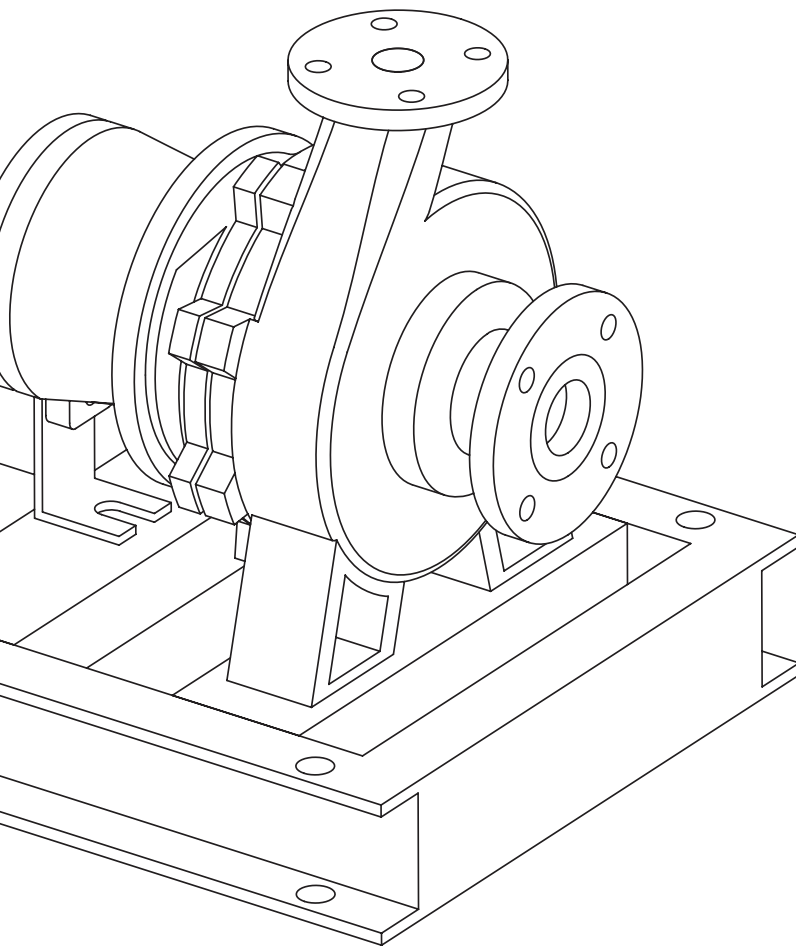
Centerline discharge  
S designation

---

## Parts list

Y" impeller bore  
1 $\frac{1}{4}$ " mechanical seal

File No: 6040.120  
Date: JULY 07, 2014  
Supersedes: 6040.120  
Date: JUNE 05, 2014





4030 BEARING FRAMES UTILIZATION CHART (60 Hz)

MOTOR HP	1150 RPM		0.5		0.75		1		1.5		2		3		5		7.5		10		15		20		25		30		3500 RPM		MOTOR FRAME NO.
	1750 RPM	3500 RPM	0.75	1	1.5	2 & 3	5	7.5	10	15	20	25	30	40	25	30	32	35	40	45	50	55	60	65	70	75	80	85	90	95	
1.5 x 1 x 6			S	S	S	S	S	S	S	S	S	S	S	S	S	S	S	S	S	S	S	S	S	S	S	S	S	S	S	449T	
3 x 1.5 x 6			S	S	S	S	S	S	S	S	S	S	S	S	S	S	S	S	S	S	S	S	S	S	S	S	S	S	S	449TS	
3 x 2 x 6			S	S	S	S	S	S	S	S	S	S	S	S	S	S	S	S	S	S	S	S	S	S	S	S	S	S	S	447T	
3 x 2.5 x 6			S	S	S	S	S	S	S	S	S	S	S	S	S	S	S	S	S	S	S	S	S	S	S	S	S	S	S	447TS	
4 x 3 x 6			S	S	S	S	S	S	S	S	S	S	S	S	S	S	S	S	S	S	S	S	S	S	S	S	S	S	S	445T	
6 x 6 x 6			S	S	S	S	S	S	S	S	S	S	S	S	S	S	S	S	S	S	S	S	S	S	S	S	S	S	S	445TS	
1.5 x 1 x 8			S	S	S	S	S	S	S	S	S	S	S	S	S	S	S	S	S	S	S	S	S	S	S	S	S	S	S	444T	
3 x 1.5 x 8			S	S	S	S	S	S	S	S	S	S	S	S	S	S	S	S	S	S	S	S	S	S	S	S	S	S	S	444TS	
3 x 2 x 8			S	S	S	S	S	S	S	S	S	S	S	S	S	S	S	S	S	S	S	S	S	S	S	S	S	S	S	444TS	
3 x 2.5 x 8			S	S	S	S	S	S	S	S	S	S	S	S	S	S	S	S	S	S	S	S	S	S	S	S	S	S	S	444TS	
4 x 3 x 8			S	S	S	S	S	S	S	S	S	S	S	S	S	S	S	S	S	S	S	S	S	S	S	S	S	S	S	444TS	
5 x 4 x 8W			S	S	S	S	S	S	S	S	S	S	S	S	S	S	S	S	S	S	S	S	S	S	S	S	S	S	S	444TS	
6 x 4 x 8W			S	S	S	S	S	S	S	S	S	S	S	S	S	S	S	S	S	S	S	S	S	S	S	S	S	S	S	444TS	
6 x 5 x 8			S	S	S	S	S	S	S	S	S	S	S	S	S	S	S	S	S	S	S	S	S	S	S	S	S	S	S	444TS	
8 x 8 x 8			S	S	S	S	S	S	S	S	S	S	S	S	S	S	S	S	S	S	S	S	S	S	S	S	S	S	S	444TS	
2 x 1 x 10			S	S	S	S	S	S	S	S	S	S	S	S	S	S	S	S	S	S	S	S	S	S	S	S	S	S	S	444TS	
2 x 1.5 x 10			S	S	S	S	S	S	S	S	S	S	S	S	S	S	S	S	S	S	S	S	S	S	S	S	S	S	S	444TS	
3 x 1.5 x 10			S	S	S	S	S	S	S	S	S	S	S	S	S	S	S	S	S	S	S	S	S	S	S	S	S	S	S	444TS	
3 x 2 x 10			S	S	S	S	S	S	S	S	S	S	S	S	S	S	S	S	S	S	S	S	S	S	S	S	S	S	S	444TS	
3 x 2.5 x 10			S	S	S	S	S	S	S	S	S	S	S	S	S	S	S	S	S	S	S	S	S	S	S	S	S	S	S	444TS	
4 x 3 x 10			S	S	S	S	S	S	S	S	S	S	S	S	S	S	S	S	S	S	S	S	S	S	S	S	S	S	S	444TS	
5 x 4 x 10			S	S	S	S	S	S	S	S	S	S	S	S	S	S	S	S	S	S	S	S	S	S	S	S	S	S	S	444TS	
6 x 4 x 10			S	S	S	S	S	S	S	S	S	S	S	S	S	S	S	S	S	S	S	S	S	S	S	S	S	S	S	444TS	
6 x 5 x 10			S	S	S	S	S	S	S	S	S	S	S	S	S	S	S	S	S	S	S	S	S	S	S	S	S	S	S	444TS	
8 x 6 x 10W			S	S	S	S	S	S	S	S	S	S	S	S	S	S	S	S	S	S	S	S	S	S	S	S	S	S	S	444TS	
4 x 3 x 11.5			S	S	S	S	S	S	S	S	S	S	S	S	S	S	S	S	S	S	S	S	S	S	S	S	S	S	S	444TS	
5 x 4 x 11.5			S	S	S	S	S	S	S	S	S	S	S	S	S	S	S	S	S	S	S	S	S	S	S	S	S	S	S	444TS	
6 x 5 x 11.5			S	S	S	S	S	S	S	S	S	S	S	S	S	S	S	S	S	S	S	S	S	S	S	S	S	S	S	444TS	
8 x 6 x 11.5			S	S	S	S	S	S	S	S	S	S	S	S	S	S	S	S	S	S	S	S	S	S	S	S	S	S	S	444TS	
3 x 1.5 x 13			S	S	S	S	S	S	S	S	S	S	S	S	S	S	S	S	S	S	S	S	S	S	S	S	S	S	S	444TS	
3 x 2 x 13			S	S	S	S	S	S	S	S	S	S	S	S	S	S	S	S	S	S	S	S	S	S	S	S	S	S	S	444TS	
4 x 3 x 13			S	S	S	S	S	S	S	S	S	S	S	S	S	S	S	S	S	S	S	S	S	S	S	S	S	S	S	444TS	
4 x 3 x 13L			S	S	S	S	S	S	S	S	S	S	S	S	S	S	S	S	S	S	S	S	S	S	S	S	S	S	S	444TS	
6 x 4 x 13			S	S	S	S	S	S	S	S	S	S	S	S	S	S	S	S	S	S	S	S	S	S	S	S	S	S	S	444TS	
6 x 4 x 13H			S	S	S	S	S	S	S	S	S	S	S	S	S	S	S	S	S	S	S	S	S	S	S	S	S	S	S	444TS	
6 x 5 x 13			S	S	S	S	S	S	S	S	S	S	S	S	S	S	S	S	S	S	S	S	S	S	S	S	S	S	S	444TS	
6 x 5 x 13H			S	S	S	S	S	S	S	S	S	S	S	S	S	S	S	S	S	S	S	S	S	S	S	S	S	S	S	444TS	
8 x 6 x 13			S	S	S	S	S	S	S	S	S	S	S	S	S	S	S	S	S	S	S	S	S	S	S	S	S	S	S	444TS	
10 x 8 x 13			S	S	S	S	S	S	S	S	S	S	S	S	S	S	S	S	S	S	S	S	S	S	S	S	S	S	S	444TS	
8 x 6 x 15			S	S	S	S	S	S	S	S	S	S	S	S	S	S	S	S	S	S	S	S	S	S	S	S	S	S	S	444TS	
10 x 8 x 15			S	S	S	S	S	S	S	S	S	S	S	S	S	S	S	S	S	S	S	S	S	S	S	S	S	S	S	444TS	

LEGEND	DESCRIPTION	IMPELLER BORE	MECHANICAL SEAL SIZE	LUBRICATION	LUBE OPTIONS
S	Small bearing frame	7/8" (0.875")	1 1/4" (1.25")	Permanently greased	Regrease, oil
M	Medium bearing frame	1 1/4" (1.25")	1 5/8" (1.625")	Permanently greased	Regrease, oil
MHD	Medium heavy-duty bearing frame	1 1/4" (1.25")	1 5/8" (1.625")	Re-greasable	Oil
L	Large bearing frame	1 5/8" (1.625")	2 1/8" (2.125")	Oil	-

NOTE: \*When replacing old M oil - lubricated bearing frames, update with new design MHD bearing frame with double row bearings.

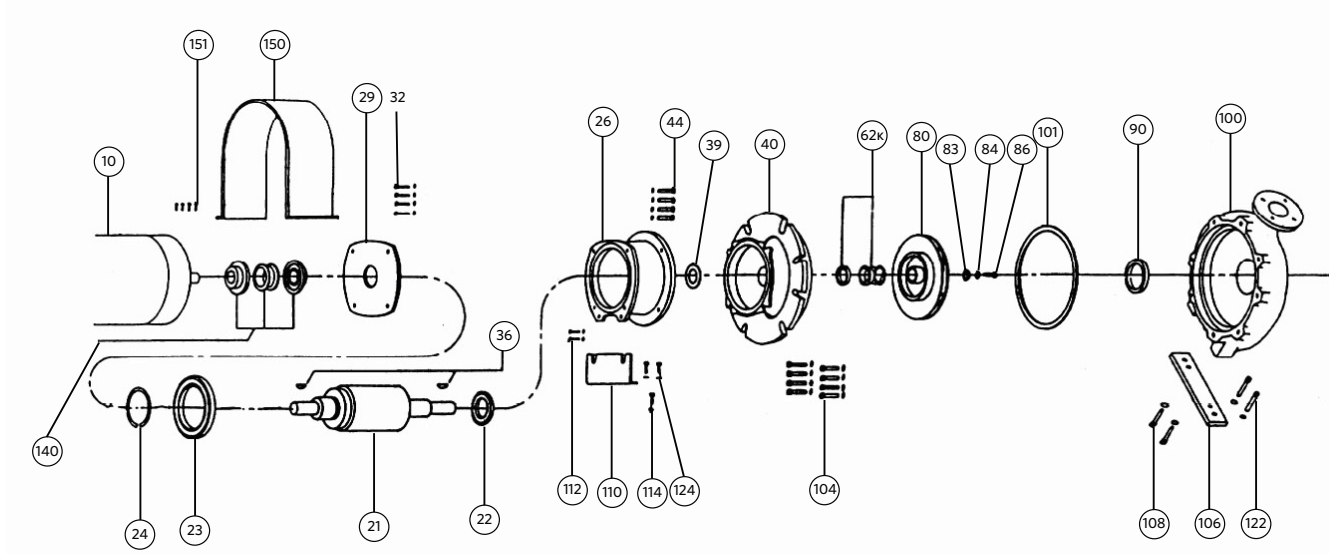
# Series 4030

## Centerline discharge, base mounted pump

### S DESIGNATION

7/8" impeller bore - 1 1/4" mechanical seal

Exploded view - permanent grease lubrication



#### INDEX

ITEM	DESCRIPTION	PAGE
	Bearing frame assembly	18
<b>20</b>	Bearing housing	18
<b>21</b>	Shaft assembly	18
<b>22</b>	Ball bearing (inboard)	18
<b>23</b>	Ball bearing (outboard)	18
<b>24</b>	Snap ring	18
<b>29</b>	Bearing cover	18
<b>32</b>	Bearing cover capscrew	18
<b>36</b>	Impeller/coupler key	18
<b>39</b>	Water slinger	18
<b>40</b>	Adapter	13
<b>44</b>	Adapter capscrew	17
<b>62k</b>	Mechanical seal assembly	18

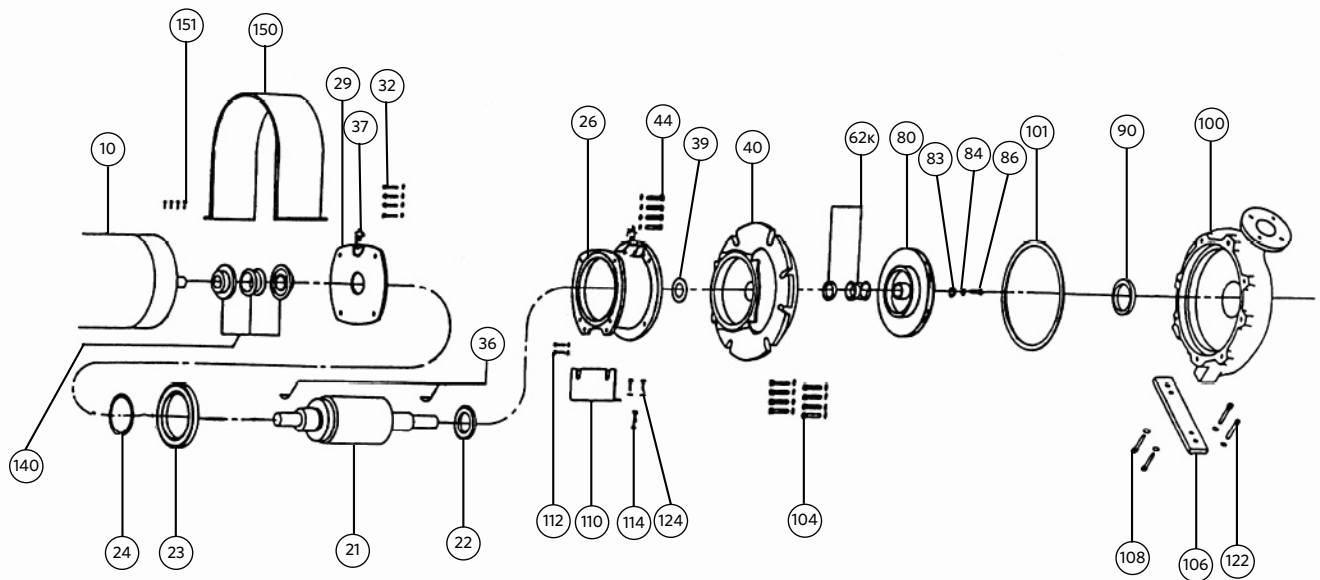
ITEM	DESCRIPTION	PAGE
<b>80</b>	Impeller	10
<b>83</b>	Impeller washer	18
<b>86</b>	Impeller capscrew	18
<b>100</b>	Casing	7
<b>101</b>	Casing gasket	16
<b>104</b>	Casing bolts	12
<b>106</b>	Casing support foot	24
<b>108</b>	Casing support foot capscrew	26
<b>110</b>	Bearing housing support foot	24
<b>112</b>	Support foot capscrew (upper)	25
<b>122</b>	Casing capscrew	27
<b>124</b>	Support foot capscrew (lower)	25
<b>140</b>	Coupler	28

# Series 4030

## Centerline discharge, base mounted pump

### S DESIGNATION

7/8" impeller bore - 1 1/4" mechanical seal  
Exploded view - regreaseable bearings



#### INDEX

ITEM	DESCRIPTION	PAGE	ITEM	DESCRIPTION	PAGE
	Bearing frame assembly	20	62K	Mechanical seal assembly	20
20	Bearing housing	20	80	Impeller	10
21	Shaft assembly	20	83	Impeller washer	20
22	Ball bearing (inboard)	20	86	Impeller capscrew	20
23	Ball bearing (outboard)	20	100	Casing	7
24	Snap ring	20	101	Casing gasket	16
29	Bearing cover	20	104	Casing bolts	12
32	Bearing cover capscrew	20	106	Casing support foot	24
36	Impeller/coupler key	20	108	Casing support foot capscrew	26
37	Grease fitting	20	110	Bearing housing support foot	24
39	Water slinger	20	112	Support foot capscrew (upper)	25
40	Adapter	13	122	Casing capscrew	27
44	Adapter capscrew	17	124	Support foot capscrew (lower)	25
			140	Coupler	28

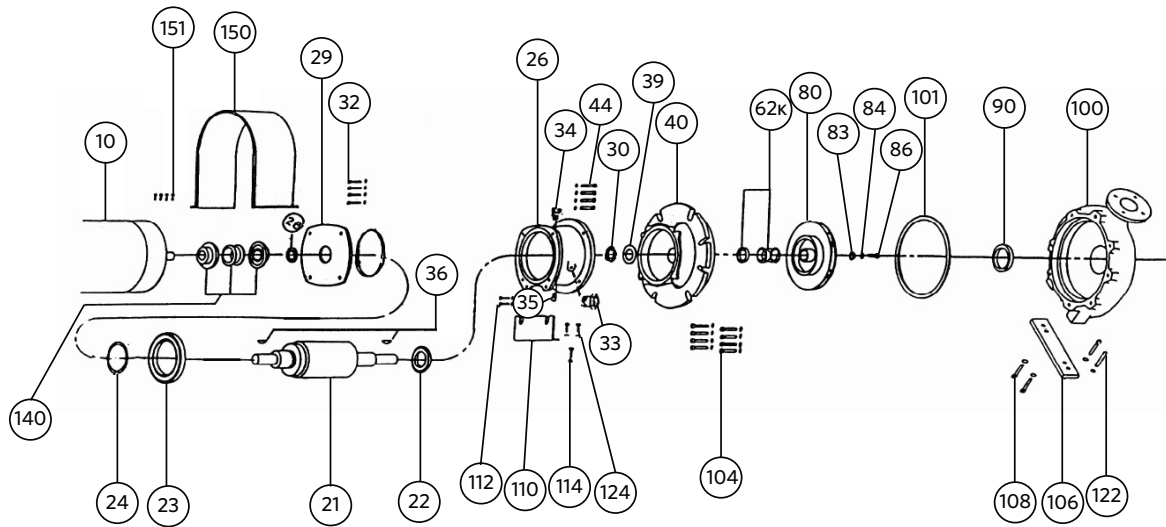
# Series 4030

## Centerline discharge, base mounted pump

### S DESIGNATION

7/8" impeller bore - 1 1/4" mechanical seal

Exploded view - oil lubrication



### INDEX

ITEM	DESCRIPTION	PAGE
	Bearing frame assembly	22
<b>20</b>	Bearing housing	22
<b>21</b>	Shaft assembly	22
<b>22</b>	Ball bearing (inboard)	22
<b>23</b>	Ball bearing (outboard)	22
<b>24</b>	Snap ring	22
<b>28</b>	Oil seal (outboard)	22
<b>29</b>	Bearing cover	22
<b>30</b>	Oil seal (inboard)	22
<b>31</b>	O - ring	22
<b>32</b>	Bearing cover capscrew	22
<b>33</b>	Oil view gauge	22
<b>34</b>	Vent gauge	22
<b>35</b>	Pipe plug	22
<b>36</b>	Impeller/coupler key	22
<b>39</b>	Water slinger	22

ITEM	DESCRIPTION	PAGE
<b>40</b>	Adapter	13
<b>44</b>	Adapter capscrew	17
<b>62K</b>	Mechanical seal assembly	22
<b>80</b>	Impeller	10
<b>83</b>	Impeller washer	22
<b>86</b>	Impeller capscrew	22
<b>100</b>	Casing	7
<b>101</b>	Casing gasket	16
<b>104</b>	Casing bolts	12
<b>106</b>	Casing support foot	24
<b>108</b>	Casing support foot capscrew	26
<b>110</b>	Bearing housing support foot	24
<b>112</b>	Support foot capscrew (upper)	25
<b>122</b>	Casing capscrew	27
<b>124</b>	Support foot capscrew (lower)	25
<b>140</b>	Coupler	28

**ITEM 100: CASING**

PUMP SIZE	PRESSURE RATING (LB)	CONSTRUCTION	PART NUMBER	BAR CODE
1.5 × 1 × 6	125	Cast iron	426101-011	
	250	Ductile iron	426102-031	
	125	All bronze	426101-041	
3 × 1.5 × 6	125	Cast iron	426597-011	
	250	Ductile iron	426598-031	
	125	All bronze	426597-041	
3 × 2 × 6	125	Cast iron	426109-011	
	250	Ductile iron	426110-031	
	125	All bronze	426109-041	
3 × 2.5 × 6	125	Cast iron	427107-011	
	250	Ductile iron	427108-031	
	125	All bronze	427107-041	
4 × 3 × 6	125	Cast iron	427292-011	
	250	Ductile iron	427292-031	
	125	All bronze	427292-041	
6 × 6 × 6	125	Cast iron	427907-041	
	250	Ductile iron	427908-031	
	125	All bronze	427907-041	
1.5 × 1 × 8	125	Cast iron	426188-011	
	250	Ductile iron	426189-031	
	125	All bronze	426188-041	
3 × 1.5 × 8	125	Cast iron	426599-011	
	250	Ductile iron	426600-031	
	125	All bronze	426599-041	
3 × 2 × 8	125	Cast iron	426125-011	
	250	Ductile iron	426126-031	
	125	All bronze	426125-041	

**ITEM 100: CASING (continued)**

<b>PUMP SIZE</b>	<b>PRESSURE RATING (LB)</b>	<b>CONSTRUCTION</b>	<b>PART NUMBER</b>	<b>BAR CODE</b>
3 × 2.5 × 8	125	Cast iron	427236-011	
	250	Ductile iron	427237-031	
	125	All bronze	427236-041	
4 × 3 × 8	125	Cast iron	426129-011	
	250	Ductile iron	426130-031	
	125	All bronze	426129-041	
5 × 4 × 8	125	Cast iron	426107-011	
	250	Ductile iron	426108-031	
	125	All bronze	426107-041	
6 × 4 × 8w	125	Cast iron	426624-011	
	250	Ductile iron	426625-031	
	125	All bronze	426624-041	
8 × 8 × 8	125	Cast iron	427913-011	
	250	Ductile iron	427913-031	
	125	All bronze	427913-041	
2 × 1 × 10	125	Cast iron	426137-011	
	250	Ductile iron	426138-031	
	125	All bronze	426137-041	
2 × 1.5 × 10	125	Cast iron	426259-011	
	250	Ductile iron	426260-031	
	125	All bronze	426259-041	
3 × 1.5 × 10	125	Cast iron	426139-011	
	250	Ductile iron	426140-031	
	125	All bronze	426139-041	



**ITEM 100: CASING (continued)**

PUMP SIZE	PRESSURE RATING (LB)	CONSTRUCTION	PART NUMBER	BAR CODE
3 × 2 × 10	125	Cast iron	426143-011	
	250	Ductile iron	426144-031	
	125	All bronze	426143-041	
3 × 2.5 × 10	125	Cast iron	427290-011	
	250	Ductile iron	427291-031	
	125	All bronze	427290-041	
4 × 3 × 10	125	Cast iron	426149-011	
	250	Ductile iron	426150-031	
	125	All bronze	426149-041	
5 × 4 × 10	125	Cast iron	426111-011	
	250	Ductile iron	426112-031	
	125	All bronze	426111-041	
6 × 4 × 10	125	Cast iron	426153-011	
	250	Ductile iron	426154-011	
	125	All bronze	426153-041	
6 × 5 × 10	125	Cast iron	427238-011	
	250	Ductile iron	427239-041	
	125	All bronze	427238-041	
4 × 3 × 11.5	125	Cast iron	426147-011	
	250	Ductile iron	426148-031	
	125	All bronze	426147-041	
5 × 4 × 11.5	125	Cast iron	426151-011	
	250	Ductile iron	426152-031	
	125	All bronze	426152-041	

**ITEM 80: IMPELLER\***

PUMP SIZE	CONSTRUCTION**	PART NUMBER	BAR CODE
1.5 × 1 × 6	Bronze fitted & all bronze	427101-041	
	Ductile iron & all iron	427101-011	
3 × 1.5 × 6	Bronze fitted & all bronze	427109-041	
	Ductile iron & all iron	427109-011	
3 × 2 × 6	Bronze fitted & all bronze	427111-041	
	Ductile iron & all iron	427111-011	
3 × 2.5 × 6	Bronze fitted & all bronze	427103-041	
	Ductile iron & all iron	427103-011	
4 × 3 × 6	Bronze fitted & all bronze	427117-041	
	Ductile iron & all iron	427117-011	
6 × 6 × 6	Bronze fitted & all bronze	427909-041	
	Ductile iron & all iron	427909-011	
1.5 × 1 × 8	Bronze fitted & all bronze	426228-041	
	Ductile iron & all iron	426228-011	
3 × 1.5 × 8	Bronze fitted & all bronze	427121-041	
	Ductile iron & all iron	427121-011	
3 × 2 × 8	Bronze fitted & all bronze	427125-041	
	Ductile iron & all iron	427125-011	
3 × 2.5 × 8	Bronze fitted & all bronze	427127-041	
	Ductile iron & all iron	427127-011	
4 × 3 × 8	Bronze fitted & all bronze	427129-041	
	Ductile iron & all iron	427129-011	
5 × 4 × 8	Bronze fitted & all bronze	427137-041	
	Ductile iron & all iron	427137-011	
6 × 4 × 8w	Bronze fitted & all bronze	427137-041	
	Ductile iron & all iron	427137-011	
8 × 8 × 8	Bronze fitted & all bronze	427917-041	
	Ductile iron & all iron	427917-041	

**ITEM 80: IMPELLER\* (continued)**

PUMP SIZE	CONSTRUCTION**	PART NUMBER	BAR CODE
2 × 1 × 10	Bronze fitted & all bronze	427151-041	
	Ductile iron & all iron	427151-011	
2 × 1.5 × 10	Bronze fitted & all bronze	426255-041	
	Ductile iron & all iron	426255-011	
3 × 1.5 × 10	Bronze fitted & all bronze	427151-041	
	Ductile iron & all iron	427151-011	
3 × 2 × 10	Bronze fitted & all bronze	427163-041	
	Ductile iron & all iron	427163-011	
3 × 2.5 × 10	Bronze fitted & all bronze	427123-041	
	Ductile iron & all iron	427123-011	
4 × 3 × 10	Bronze fitted & all bronze	427149-041	
	Ductile iron & all iron	427149-011	
5 × 4 × 10	Bronze fitted & all bronze	427153-041	
	Ductile iron & all iron	427153-011	
6 × 4 × 10	Bronze fitted & all bronze	427153-041	
	Ductile iron & all iron	427153-011	
6 × 5 × 10	Bronze fitted & all bronze	427159-041	
	Ductile iron & all iron	427159-011	
4 × 3 × 11.5	Bronze fitted & all bronze	426281-041	
	Ductile iron & all iron	426281-011	
5 × 4 × 11.5	Bronze fitted & all bronze	426283-041	
	Ductile iron & all iron	426283-011	

**NOTE:**

\*Impeller part numbers are for unbalanced, full diameter impellers. Always specify the Pump serial number. If possible, measure the diameter of the impeller being replaced.

\*\*All Bronze construction: Parts in contact with the pumped liquid are bronze, copper or stainless steel.

Bronze Fitted construction: Parts in contact with the pumped liquid are bronze or copper, except casing and adapter.

All Iron construction: Parts in contact with the pumped liquid are cast iron or steel, except shaft sleeve & mechanical seal.

**ITEM 104: CASING CAPSCREW & WASHER**

PUMP SIZE	AMOUNT REQUIRED	SIZE	PART NUMBER	BAR CODE
1.5 × 1 × 6 3 × 1.5 × 6 3 × 2 × 6	8	CAPSCREW ½" - 13NC × 1¼" LG.	911125-110	
3 × 2.5 × 6 4 × 3 × 6 6 × 6 × 6	8	WASHER ½" - SAE FLAT	927117-100	
1.5 × 1 × 8	8	HX. HD. CAPSCREW ⅝" - 11NC × 1½" LG.	911129-112	
3 × 1.5 × 8	8	WASHER ⅝" - SAE FLAT	927121-100	
3 × 2 × 8 3 × 2.5 × 8 4 × 3 × 8	8	HX. HD. CAPSCREW ⅝" - 11NC × 1½" LG.	911129-112	
5 × 4 × 8 6 × 4 × 8 8 × 8 × 8	8	WASHER ⅝" - SAE FLAT	927121-100	
2 × 1 × 10 2 × 1.5 × 10 3 × 1.5 × 10 3 × 2 × 10 3 × 2.5 × 10	12	HX. HD. CAPSCREW ⅝" - 11NC × 1½" LG.	911129-112	
4 × 3 × 10 5 × 4 × 10 6 × 4 × 10 6 × 5 × 10	12	WASHER ⅝" - SAE FLAT	927121-100	
4 × 3 × 11.5	16	HX. HD. CAPSCREW ⅝" - 11NC × 1½" LG.	911125-112	
5 × 4 × 11.5	16	WASHER ½" - SAE FLAT	927117-100	

**ITEM 40: ADAPTER**

125 LB - bronze fitted and all iron construction

PUMP SIZE	FRAME 56 143 - 184T	FRAMES 213 - 215T	FRAMES 254 - 256T	BAR CODE
1.5 × 1 × 6	426746-011	426746-011		
3 × 1.5 × 6	426746-011	426746-011		
3 × 2 × 6	426746-011	426746-011		
3 × 2.5 × 6	426746-011	426746-011		
4 × 3 × 6	426746-011	426746-011		
6 × 6 × 6	426746-011	426746-011		
1.5 × 1 × 8	426749-011	426749-011		
3 × 1.5 × 8	426749-011	426749-011	426749-011	
3 × 2 × 8	426749-011	426749-011	426749-011	
3 × 2.5 × 8	426749-011	426749-011	426749-011	
4 × 3 × 8	426749-011	426749-011		
5 × 4 × 8	426749-011	426749-011		
6 × 4 × 8w	426749-011	426749-011		
8 × 8 × 8	426749-011			
2 × 1 × 10	426753-011	426753-011		
2 × 1.5 × 10	426753-011	426753-011		
3 × 1.5 × 10	426753-011	426753-011		
3 × 2 × 10	426753-011	426753-011		
3 × 2.5 × 10	426753-011	426753-011		
4 × 3 × 10	426753-011	426753-011	426753-011	
5 × 4 × 10	426753-011	426753-011	426753-011	
6 × 4 × 10	426753-011	426753-011	426753-011	
6 × 5 × 10	426753-011	426753-011	426753-011	
4 × 3 × 11.5		426741-011	426741-011	
5 × 4 × 11.5		426741-011	426741-011	

**ITEM 40: ADAPTER (continued)**

125 LB - all bronze construction

PUMP SIZE	FRAME 56 143 - 184T	FRAMES 213 - 215T	FRAMES 254 - 256T	BAR CODE
1.5 × 1 × 6	426746-041	426746-041		
3 × 1.5 × 6	426746-041	426746-041		
3 × 2 × 6	426746-041	426746-041		
3 × 2.5 × 6	426746-041	426746-041		
4 × 3 × 6	426746-041	426746-041		
6 × 6 × 6	426746-041	426746-041		
1.5 × 1 × 8	426749-041	426749-041		
3 × 1.5 × 8	426749-041	426749-041	426749-041	
3 × 2 × 8	426749-041	426749-041	426749-041	
3 × 2.5 × 8	426749-041	426749-041	426749-041	
4 × 3 × 8	426749-041	426749-041		
5 × 4 × 8	426749-041	426749-041		
6 × 4 × 8w	426749-041	426749-041		
8 × 8 × 8	426749-041			
2 × 1 × 10	426753-041	426753-041		
2 × 1.5 × 10	426753-041	426753-041		
3 × 1.5 × 10	426753-041	426753-041		
3 × 2 × 10	426753-041	426753-041		
3 × 2.5 × 10	426753-041	426753-041		
4 × 3 × 10	426753-041	426753-041	426753-041	
5 × 4 × 10	426753-041	426753-041	426753-041	
6 × 4 × 10	426753-041	426753-041	426753-041	
6 × 5 × 10	426753-041	426753-041	426753-041	
4 × 3 × 11.5		426741-041	426741-041	
5 × 4 × 11.5		426741-041	426741-041	

**ITEM 40: ADAPTER (continued)**

150 LB - ductile iron construction

PUMP SIZE	FRAME 56 143 - 184T	FRAMES 213 - 215T	FRAMES 254 - 256T	BAR CODE
1.5 × 1 × 6	426746-031	426746-031		
3 × 1.5 × 6	426746-031	426746-031		
3 × 2 × 6	426746-031	426746-031		
3 × 2.5 × 6	426746-031	426746-031		
4 × 3 × 6	426746-031	426746-031		
6 × 6 × 6	426746-031	426746-031		
1.5 × 1 × 8	426749-031	426749-031		
3 × 1.5 × 8	426749-031	426749-031	426749-031	
3 × 2 × 8	426749-031	426749-031	426749-031	
3 × 2.5 × 8	426749-031	426749-031	426749-031	
4 × 3 × 8	426749-031	426749-031		
5 × 4 × 8	426749-031	426749-031		
6 × 4 × 8w	426749-031	426749-031		
8 × 8 × 8	426749-031			
2 × 1 × 10	426753-031	426753-031		
2 × 1.5 × 10	426753-031	426753-031		
3 × 1.5 × 10	426753-031	426753-031		
3 × 2 × 10	426753-031	426753-031		
3 × 2.5 × 10	426753-031	426753-031		
4 × 3 × 10	426753-031	426753-031	426753-031	
5 × 4 × 10	426753-031	426753-031	426753-031	
6 × 4 × 10	426753-031	426753-031	426753-031	
6 × 5 × 10	426753-031	426753-031	426753-031	
4 × 3 × 11.5		426741-031	426741-031	
5 × 4 × 11.5		426741-031	426741-031	

**ITEM 101: CASING GASKET**

<b>PUMP SIZE</b>	<b>DIMENSIONS O.D × I.D. × THICKNESS</b>	<b>PART NUMBER</b>	<b>BAR CODE</b>
1.5 × 1 × 6 3 × 1.5 × 6 3 × 2 × 6 3 × 2.5 × 6 4 × 3 × 6 6 × 6 × 6	7 <sup>1</sup> / <sub>16</sub> " × 8 <sup>1</sup> / <sub>4</sub> " × <sup>1</sup> / <sub>16</sub> "	426401-002	
1.5 × 1 × 8 3 × 1.5 × 8 3 × 2 × 8 3 × 2.5 × 8 4 × 3 × 8 5 × 4 × 8 6 × 4 × 8w 8 × 8 × 8	9" × 8 <sup>1</sup> / <sub>4</sub> " × <sup>1</sup> / <sub>16</sub> "	426401-003	
2 × 1 × 10 2 × 1.5 × 10 3 × 1.5 × 10 3 × 2 × 10 3 × 2.5 × 10 4 × 3 × 10 5 × 4 × 10 6 × 4 × 10 6 × 5 × 10	10 <sup>5</sup> / <sub>16</sub> " × 10 <sup>3</sup> / <sub>16</sub> " × <sup>1</sup> / <sub>16</sub> "	426401-004	
4 × 3 × 11.5 5 × 4 × 11.5	12 <sup>7</sup> / <sub>16</sub> " × 11 <sup>9</sup> / <sub>16</sub> " × <sup>1</sup> / <sub>16</sub> "	426401-006	



**ITEM 44: BEARING HOUSING CAPSCREW, WASHER & NUT**

PUMP SIZE	AMOUNT REQUIRED	SIZE	PART NUMBER	BAR CODE
1.5 × 1 × 6 3 × 1.5 × 6 3 × 2 × 6 3 × 2.5 × 6 4 × 3 × 6 6 × 6 × 6	4	CAPSCREW 3/8" - 16NC × 1 1/2" LG.	911121-112	
1.5 × 1 × 8 3 × 1.5 × 8 3 × 2 × 8 3 × 2.5 × 8 4 × 3 × 8	4	CAPSCREW 3/8" - 16NC × 1 1/2" LG.	911121-112	
5 × 4 × 8 6 × 4 × 8w 8 × 8 × 8	4	WASHER 3/8" - FLAT	927114-100	
2 × 1 × 10 2 × 1.5 × 10 3 × 1.5 × 10 3 × 2 × 10 3 × 2.5 × 10	4	WASHER 3/8" - FLAT	927114-100	
4 × 3 × 10 5 × 4 × 10 6 × 4 × 10 6 × 5 × 10	4	NUT 3/8" - NC HEX. STD.	913121-100	
4 × 3 × 11.5 5 × 4 × 11.5	4	NUT 3/8" - NC HEX. STD.	913121-100	

**PERMANENT GREASE LUBRICATION - STANDARD SHAFT****BEARING FRAME ASSEMBLY**

ITEM NUMBER	DESCRIPTION	PART NUMBER	BAR CODE
	Bearing frame assembly ①	826768-000	
20	Bearing housing	426764-011	
21	Shaft & sleeve assembly	426760-001	
22	Inboard bearing	971101-364	
23	Outboard bearing	971101-684	
24	Snap ring	923109-008	
29	Bearing cap	426766-011	
32	Bearing capscrews 3/8-16 × 1 LG ( 4 REQ'D )	911121-108	
36	Impeller key	428160-708	
36	Coupler key	428160-712	
39	Water slinger	406622-000	

**NOTE :**

① Items 20 to 39 inclusive are included in the bearing frame assembly.

**COMMON PARTS**

ITEM NUMBER	DESCRIPTION	PART NUMBER BF, AB & AI	BAR CODE
62κ	Mechanical seal assembly	975000-982**	
83	Impeller washer	425742-001	
86	S/S impeller capscrew	911900-114	

\*\* For liquids above 200°F/93°C use 9975001-813 (-613 if potable drinking water above 200°F/93°C)  
For glycols above 30% by weight use 9975001-817 (-818 if above 200°F/93°C)

## PERMANENT GREASE LUBRICATION - STAINLESS STEEL SHAFT

### BEARING FRAME ASSEMBLY

ITEM NUMBER	DESCRIPTION	PART NUMBER	BAR CODE
	Bearing frame assembly ①	426768-071	
20	Bearing housing	426764-011	
21	Shaft & sleeve assembly	426760-071	
22	Inboard bearing	971101-364	
23	Outboard bearing	971101-684	
24	Snap ring	923109-008	
29	Bearing cap	426766-011	
32	BEARING CAPSCREWS 3/8-16 × 1 LG ( 4 REQ'D )	911121-108	
36	Impeller key	428160-708	
36	Coupler key	428160-712	
39	Water slinger	406622-000	

**NOTE :**

① Items 20 to 39 inclusive are included in the bearing frame assembly.

### COMMON PARTS

ITEM NUMBER	DESCRIPTION	PART NUMBER BF, AB & AI	BAR CODE
62κ	Mechanical seal assembly	975000-982**	
83	Impeller washer	425742-001	
86	S/S impeller capscrew	911900-119	

\*\* For liquids above 200°F/93°C use 9975001-813 (-613 if potable drinking water above 200°F/93°C)  
For glycols above 30% by weight use 9975001-817 (-818 if above 200°F/93°C)

**REGREASEABLE BEARINGS - STANDARD SHAFT****BEARING FRAME ASSEMBLY**

ITEM NUMBER	DESCRIPTION	PART NUMBER	BAR CODE
	Bearing frame assembly ①	426769-000	
20	Bearing housing	426764-012	
21	Shaft & sleeve assembly	426760-001	
22	Inboard bearing	971101-363	
23	Outboard bearing	971101-683	
24	Snap ring	923109-008	
29	Bearing cap	426766-012	
32	Bearing capscrews 3/8-16 × 1 LG ( 4 REQ'D )	911121-108	
36	Impeller key	428160-708	
36	Coupler key	428160-712	
37	Grease fitting	425030-011	
39	Water slinger	406622-000	

**NOTE :**

① Items 20 to 39 inclusive are included in the bearing frame assembly.

**COMMON PARTS**

ITEM NUMBER	DESCRIPTION	PART NUMBER BF, AB & AI	BAR CODE
62K	mechanical seal assembly	975000-982**	
83	impeller washer	425742-001	
86	S/S impeller capscrew	911900-119	

\*\* For liquids above 200°F/93°C use 9975001-813 (-613 if potable drinking water above 200°F/93°C)  
For glycols above 30% by weight use 9975001-817 (-818 if above 200°F/93°C)

## REGREASEABLE BEARINGS - STAINLESS STEEL SHAFT

### BEARING FRAME ASSEMBLY

ITEM NUMBER	DESCRIPTION	PART NUMBER	BAR CODE
	Bearing frame assembly ①	426769-071	
20	Bearing housing	426764-012	
21	Shaft & sleeve assembly	426760-071	
22	Inboard bearing	971101-363	
23	Outboard bearing	971101-683	
24	Snap ring	923109-008	
29	Bearing cap	426766-012	
32	Bearing capscrews 3/8-16 × 1 LG ( 4 REQ'D )	911121-108	
36	Impeller key	428160-708	
36	Coupler key	428160-712	
37	Grease fitting ( 2 REQ'D )	425030-011	
39	Water slinger	406622-000	

**NOTE :**

① Items 20 to 39 inclusive are included in the bearing frame assembly.

### COMMON PARTS

ITEM NUMBER	DESCRIPTION	PART NUMBER BF, AB & AI	BAR CODE
62K	Mechanical seal assembly	975000-982**	
83	Impeller washer	425742-001	
86	S/S impeller capscrew	911900-119	

\*\* For liquids above 200°F/93°C use 9975001-813 (-613 if potable drinking water above 200°F/93°C)  
For glycols above 30% by weight use 9975001-817 (-818 if above 200°F/93°C)

**OIL LUBRICATION - STANDARD SHAFT****BEARING FRAME ASSEMBLY**

ITEM NUMBER	DESCRIPTION	PART NUMBER	BAR CODE
	Bearing frame assembly ①	426770-000	
20	Bearing housing	426764-013	
21	Shaft & sleeve assembly	426760-001	
22	Inboard bearing	971101-915	
23	Outboard bearing	971101-916	
24	Snap ring	923109-008	
28	Oil seal	965001-065	
29	Bearing cap	426766-013	
31	O-ring	961131-152	
32	Bearing capscrews 3/8-16 × 1 LG ( 4 REQ'D )	911121-108	
33	Oil view gauge	116904-000	
34	Air vent	407444-000	
35	Pipe plug	937105-200	
36	Impeller key	428160-708	
36	Coupler key	428160-712	
39	Water slinger	406622-000	

**NOTE :**

① Items 20 to 39 inclusive are included in the bearing frame assembly.

**COMMON PARTS**

ITEM NUMBER	DESCRIPTION	PART NUMBER BF, AB & AI	BAR CODE
62κ	Mechanical seal assembly	975000-982**	
83	Impeller washer	425742-001	
86	S/S impeller capscrew	911900-119	

\*\* For liquids above 200°F/93°C use 9975001-813 (-613 if potable drinking water above 200°F/93°C)  
For glycols above 30% by weight use 9975001-817 (-818 if above 200°F/93°C)

## OIL LUBRICATION - STAINLESS STEEL SHAFT

### BEARING FRAME ASSEMBLY

ITEM NUMBER	DESCRIPTION	PART NUMBER	BAR CODE
	Bearing frame assembly ①	426770-071	
20	Bearing housing	426764-013	
21	Shaft & sleeve assembly	426760-071	
22	Inboard bearing	971101-915	
23	Outboard bearing	971101-916	
24	Snap ring	923109-008	
28	Oil seal	965001-065	
29	Bearing cap	426766-013	
31	O-ring	961131-152	
32	Bearing capscrews 3/8-16 x 1 LG ( 4 REQ'D )	911121-108	
33	Oil view gauge	116904-000	
34	Air vent	407444-000	
35	Pipe plug	937105-200	
36	Impeller key	428160-708	
36	Coupler key	428160-712	
39	Water slinger	406622-000	

**NOTE :**

① Items 20 to 39 inclusive are included in the bearing frame assembly.

### COMMON PARTS

ITEM NUMBER	DESCRIPTION	PART NUMBER BF, AB & AI	BAR CODE
62K	Mechanical seal assembly	975000-982**	
83	Impeller washer	425742-001	
86	S/S impeller capscrew	911900-119	

\*\* For liquids above 200°F/93°C use 9975001-813 (-613 if potable drinking water above 200°F/93°C)  
For glycols above 30% by weight use 9975001-817 (-818 if above 200°F/93°C)

**ITEM 110: BEARING HOUSING SUPPORT FOOT**

PUMP SIZE	PART NUMBER	BAR CODE
1.5 × 1 × 6	426999-001	
3 × 1.5 × 6	426999-001	
3 × 2 × 6	426999-002	
3 × 2.5 × 6	426999-002	
4 × 3 × 6	426999-002	
6 × 6 × 6	426999-002	
1.5 × 1 × 8	426999-001	
3 × 1.5 × 8	426999-002	
3 × 2 × 8	426999-003	
3 × 2.5 × 8	426999-003	
4 × 3 × 8	426999-003	
5 × 4 × 8	426999-004	
8 × 8 × 8	426999-006	
6 × 4 × 8w	426999-004	
2 × 1 × 10	426999-003	
2 × 1.5 × 10	426999-003	
3 × 1.5 × 10	426999-004	
3 × 2 × 10	426999-004	
3 × 2.5 × 10	426999-004	
4 × 3 × 10	426999-004	
5 × 4 × 10	426999-005	
6 × 4 × 10	426999-005	
6 × 5 × 10	426999-005	
4 × 3 × 11.5	426999-004	
5 × 4 × 11.5	426999-005	

**ITEM 106: CASING SUPPORT FOOT**

PUMP SIZE	PART NUMBER	BAR CODE
1.5 × 1 × 6	426551-000	
3 × 1.5 × 6	426552-000	
3 × 2 × 6	426554-000	
3 × 2.5 × 6	426554-000	
4 × 3 × 6	Not required	
6 × 6 × 6	426554-000	
1.5 × 1 × 8	426670-004	
3 × 1.5 × 8	426554-000	
3 × 2 × 8	426554-000	
3 × 2.5 × 8	426554-000	
4 × 3 × 8	426554-000	
5 × 4 × 8	426554-000	
6 × 4 × 8w	426554-000	
8 × 8 × 8	Not required	
2 × 1 × 10	426554-000	
2 × 1.5 × 10	426554-000	
3 × 1.5 × 10	Not required	
3 × 2 × 10	Not required	
3 × 2.5 × 10	Not required	
4 × 3 × 10	Not required	
5 × 4 × 10	Not required	
6 × 4 × 10	Not required	
6 × 5 × 10	Not required	
4 × 3 × 11.5	Not required	
5 × 4 × 11.5	Not required	



**ITEM 112: BEARING SUPPORT FOOT CAPSCREW (UPPER)**

PUMP SIZE	AMOUNT REQUIRED	SIZE	PART NUMBER	BAR CODE
ALL SIZES	1	½" - 13NC x 1" LG	911125-108	

**ITEM 112: BEARING SUPPORT FOOT CAPSCREW WASHER (UPPER)**

PUMP SIZE	AMOUNT REQUIRED	SIZE	PART NUMBER	BAR CODE
ALL SIZES	1	½" FLAT	927117-100	

**ITEM 124: BEARING SUPPORT FOOT CAPSCREW (LOWER)**

PUMP SIZE	AMOUNT REQUIRED	SIZE	PART NUMBER	BAR CODE
ALL SIZES	1	7/16" - 14NC x 1" LG	911123-216	

**ITEM 124: BEARING SUPPORT FOOT CAPSCREW WASHER (LOWER)**

PUMP SIZE	AMOUNT REQUIRED	SIZE	PART NUMBER	BAR CODE
ALL SIZES	1	7/16" FLAT	927116-100	

**ITEM 108: CASING SUPPORT FOOT CAPSCREW (TO CASING)**

PUMP SIZE	AMOUNT REQUIRED	SIZE	PART NUMBER	BAR CODE
1.5 × 1 × 6 3 × 1.5 × 6	1	5/16" - 16NC × 1" LG	911119-108	
3 × 2 × 6 3 × 2.5 × 6 4 × 3 × 6 6 × 6 × 6	2	1/2" - 13NC × 1" LG	911125-108	
1.5 × 1 × 8 3 × 1.5 × 8 3 × 2 × 8 3 × 2.5 × 8 4 × 3 × 8 5 × 4 × 8 6 × 4 × 8w 8 × 8 × 8	2	1/2" - 13NC × 1" LG	911125-108	
2 × 1 × 10 2 × 1.5 × 10 3 × 1.5 × 10 3 × 2 × 10	2	1/2" - 13NC × 1" LG	911125-108	
3 × 2.5 × 10 4 × 3 × 10 5 × 4 × 10 6 × 4 × 10 6 × 5 × 10		Not required		
4 × 3 × 11.5 5 × 4 × 11.5		Not required		

**ITEM 122: CASING SUPPORT FOOT CAPSCREW & WASHER (1)**

PUMP SIZE	AMOUNT REQUIRED	SIZE	PART NUMBER	BAR CODE
1.5 x 1 x 6 3 x 1.5 x 6 3 x 2 x 6 3 x 2.5 x 6 4 x 3 x 6 6 x 6 x 6	2	7/16" - 11NC x 1 1/4" LG	911123-216	
*1.5 x 1 x 8 3 x 1.5 x 8 3 x 2 x 8 3 x 2.5 x 8 4 x 3 x 8 5 x 4 x 8 6 x 4 x 8w 8 x 8 x 8	2	7/16" - 11NC x 1 1/4" LG	911123-216	
2 x 1 x 10 2 x 1.5 x 10 3 x 1.5 x 10	2	7/16" - 11NC x 1 1/4" LG	911123-216	
3 x 2 x 10 3 x 2.5 x 10 4 x 3 x 10 5 x 4 x 10 6 x 4 x 10 6 x 5 x 10	2	WASHER 7/16" FLAT	927116-100	
4 x 3 x 11.5 5 x 4 x 11.5	2	WASHER 7/16" FLAT	927116-100	

**NOTE:**

\*For pumps 1 1/2 x 1 x 8, frames 56T, 143-145T & 182 - 184T, use 2 capscrews (7/16" - 11 NC x 2" LG.) - part number: 911123-116 and 2 washers (7/16" Flat) part number: 927116-100

**COUPLER SELECTION TABLE (WOODS TYPE)**

PUMP SHAFT SIZE	MOTOR FRAME SIZE	MOTOR SHAFT SIZE	COUPLER PART NUMBER	WOODS SIZE	BAR CODE
7/8"	56	5/8"	827010-000	4J	
7/8"	143T - 145T	7/8"	827011-000	4J	
7/8"	182T - 184T	1 1/8"	827012-000	5J	
7/8"	213T - 215T	1 3/8"	827013-000	6J	
7/8"	254T - 256T	1 5/8"	827014-000	7J	

**COUPLER FLANGE PART NUMBERS**

COUPLER PART NUMBER	MOTOR FRAME SIZE	FLANGE BORE	FLANGE PART NUMBER	WOODS SIZE	BAR CODE
827010-000	56	5/8"	975000-822	4J	
		7/8"	975000-823	4J	
827011-000	143T - 145T	7/8"	975000-823	4J	
		7/8"	975000-823	4J	
827012-000	182T - 184T	1 1/8"	975000-829	5J	
		7/8"	975000-827	5J	
827013-000	213T - 215T	1 3/8"	975000-836	6J	
		7/8"	975000-832	6J	
827014-000	254T - 256T	1 5/8"	975000-842	7J	
		7/8"	975000-838	7J	

**COUPLER INSERT SELECTION TABLE (WOODS TYPE)**

<b>COUPLER INSERT SIZE</b>	<b>INSERT NUMBER</b>	<b>PART NUMBER</b>	<b>BAR CODE</b>
4J	4JE	875000-801	
5J	5JE	875000-802	
6J	6JE	875000-803	
7J	7JE	875000-804	

**TORONTO**

23 BERTRAND AVENUE  
TORONTO, ONTARIO  
CANADA  
M1L 2P3  
+1 416 755 2291

**BUFFALO**

93 EAST AVENUE  
NORTH TONAWANDA, NEW YORK  
U.S.A.  
14120-6594  
+1 716 693 8813

**BIRMINGHAM**

HEYWOOD WHARF, MUCKLOW HILL  
HALESOWEN, WEST MIDLANDS  
UNITED KINGDOM  
B62 8DJ  
+44 (0) 8444 145 145

**MANCHESTER**

WOLVERTON STREET  
MANCHESTER  
UNITED KINGDOM  
M11 2ET  
+44 (0) 8444 145 145

**BANGALORE**

#59, FIRST FLOOR, 3RD MAIN  
MARGOSA ROAD, MALLESWARAM  
BANGALORE, INDIA  
560 003  
+91 (0) 80 4906 3555

**SHANGHAI**

NO. 1619 HU HANG ROAD, XI DU TOWNSHIP  
FENG XIAN DISTRICT, SHANGHAI  
P.R.C.  
201401  
+86 21 3756 6696

**MAKING  
ENERGY  
MAKE  
SENSE™**