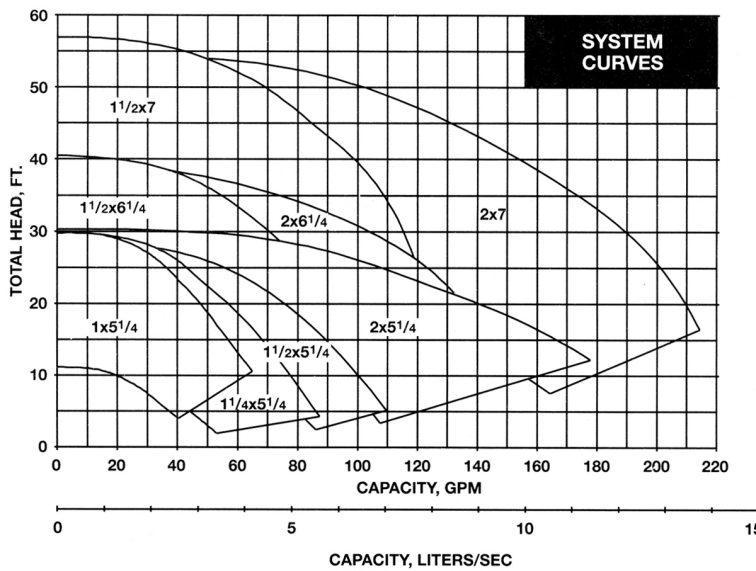


B&G Series 60 Cast Iron Circulating Pumps



Red-colored pump

Complete Series 60 Cast Iron Pumps for Space Heating

- Maximum Working Pressure: 175 psig
- Maximum Working Temperature: 225° F.

These new series 60 pumps replaced the "old" series 60 pumps in 1999. These new pumps are **maintenance free** — No need to oil the bearing assembly or motor. They are red in color with a cast iron "bronze fitted" pump body. They are used for circulating heated water for space heating requirements. Select from pumps with either Single-Phase (115/230 volt) or Three-Phase (208-230/460 volt) open drip-proof motors running at 1750 rpm. The bronze body pumps, found on the next page, are used for heating potable domestic water — Water that may be used in kitchens, restrooms, etc. **Use bronze body pumps (on next page) when pumping domestic water.**

New Style Pump Model No.	Replaces the "Old" Style Model No.	Pump Size Suction x Discharge x Full Size Impeller	Motor HP	Impeller Diameter trimmed for pump capacity	B&G Pump ID No. 1-Phase	Single Phase 115/230V Pump Order No.	B&G Pump ID No. 3-Phase	Three Phase 208-230/460V Pump Order No.
601		1 x 1 x 5 1/4	1/4	4.38"	172701	BH1024L	172725	BH1024M
602		1 x 1 x 5 1/4	1/3	4.84"	172702	BH1024R	172726	BH1024S
603		1 x 1 x 5 1/4	1/2	5.25"	172703	BH1024W	172727	BH1024X
604	60-11	1 1/4 x 1 1/4 x 5 1/4	1/4	4.38"	172707	BH1025	172731	BH1025B
605		1 1/4 x 1 1/4 x 5 1/4	1/3	4.84"	172708	BH1025C	172732	BH1025D
606		1 1/4 x 1 1/4 x 5 1/4	1/2	5.25"	172667	BH1025G	172733	BH1025H
607		1 1/2 x 1 1/2 x 5 1/4	1/3	4.38"	172712	BH1025L	172737	BH1025M
608	60-13	1 1/2 x 1 1/2 x 5 1/4	1/2	4.94"	172713	BH1026B	172738	BH1027B
609		1 1/2 x 1 1/2 x 5 1/4	3/4	5.25"	172668	BH1027D	172739	BH1027E
610		2 x 2 x 5 1/4	1/2	4.12"	172717	BH1027J	172743	BH1027K
611	60-14	2 x 2 x 5 1/4	3/4	4.75"	172718	BH1028	172744	BH1029
612		2 x 2 x 5 1/4	1	5.25"	172669	BH1057A	172745	BH1057B
621	60-15	1 1/2 x 1 1/2 x 6 1/4	1/2	4.88"	172755	BH1092	172756	BH1092A
613		1 1/2 x 1 1/2 x 6 1/4	3/4	5.75"	172722	BH1060	172749	BH1061
614		1 1/2 x 1 1/2 x 6 1/4	1	6.25"	172670	BH1061B	172750	BH1061C
615		2 x 2 x 6 1/4	3/4	5.62"	172723	BH1061F	172751	BH1061G
616	60-19	2 x 2 x 6 1/4	1	6.22"	172671	BH1061K	172752	BH1061L
622	60-16	1 1/2 x 1 1/2 x 7	3/4	5.50"	172757	BH1093	172759	BH1093A
623		1 1/2 x 1 1/2 x 7	1	6.00"	172758	BH1062	172760	BH1063
617	60-17	1 1/2 x 1 1/2 x 7	1 1/2	6.50"	172724	BH1061M	172753	BH1061N
618		1 1/2 x 1 1/2 x 7	2	7.00"	—	—	172672	BH1089
624		2 x 2 x 7	1	5.69"	172761	BH1095	172763	BH1095A
625	60-20	2 x 2 x 7	1 1/2	6.12"	172762	BH1096	172764	BH1096A
619	60-21	2 x 2 x 7	2	6.50"	—	—	172754	BH1090
620	60-22	2 x 2 x 7	3	7.00"	—	—	172673	BH1091

B&G Series 60 Bronze Body Circulating Pumps



Bronze-colored pump

The new bronze body Bell & Gossett Series 60 in-line centrifugal pumps are specially-built to pump potable water (water a person may come in contact with or consume) to restrooms, kitchens, etc. They are maintenance free: The bearing assembly and motor are permanently lubricated. They have higher operating efficiencies while delivering a quiet & smooth performance.

These pumps have bronze bodies & are bronze in color.

■ **Maximum Working Pressure:** 175 psig.

■ **Maximum Working Temperature:** 225° F.

Special Seals available for working at temperatures up to 250° F.

In 1999 these pumps replaced the old Series 60 pumps.

The repair parts for the old, obsolete Series 60 pump models, along with these new style pumps, can be found on the pages that follow.

Complete Bronze Body Series 60 Pumps for Potable Domestic Water

These new series 60 (model upgraded in 1999) "bronze body" pumps are used for circulating heated water to restrooms, kitchens, showers, laundries, etc. Select from pumps with either Single-Phase (115/230 volt) or Three-Phase (208-230/460 volt) open drip-proof motors running at 1750 rpm. You must use bronze body pumps when circulating potable domestic water: Domestic water is any water being pumped to restrooms, kitchens, laundry rooms, etc. Local plumbing codes dictate that pumped water that may come in regular contact, either directly or indirectly, with humans (good folks like us) must come from a bronze-fitted pump. All bearing assemblies are bronze-fitted.

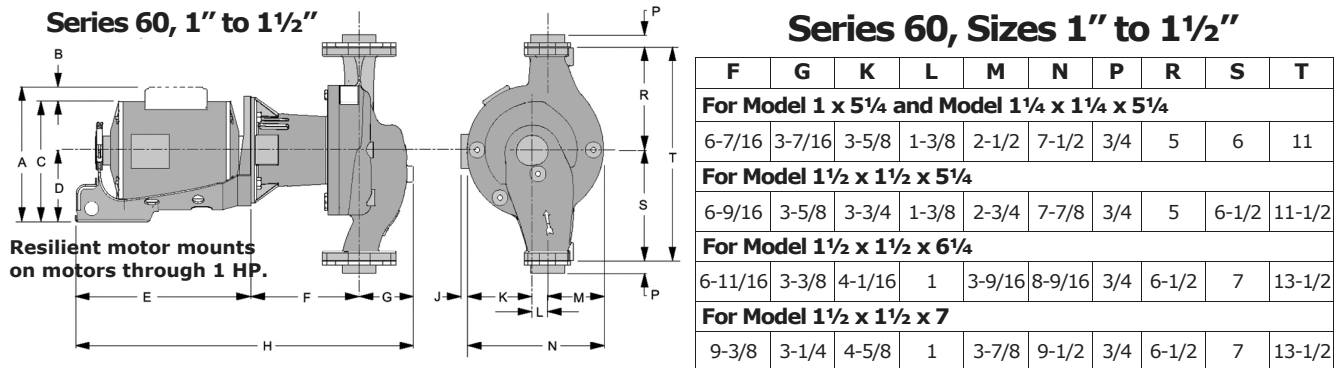
B&G Pump Model No.	Pump Size Suction x Discharge x Full Size Impeller	Motor HP	Impeller Diameter trimmed for pump capacity	B&G Pump ID No. 1-Phase	Single Phase 115/230V Pump Order No.	B&G Pump ID No. 3-Phase	Three Phase 208-230/460V Pump Order No.
B601	1 x 1 x 5/4	1/4	4.38"	172704	BH1024J	172728	BH1024K
B602	1 x 1 x 5/4	1/3	4.84"	172705	BH1024N	172729	BH1024P
B603	1 x 1 x 5/4	1/2	5.25"	172706	BH1024T	172730	BH1024U
B604	1 1/4 x 1 1/4 x 5/4	1/4	4.38"	172709	BH1026A	172734	BH1025T
B605	1 1/4 x 1 1/4 x 5/4	1/3	4.84"	172710	BH1025E	172735	BH1025F
B606	1 1/4 x 1 1/4 x 5/4	1/2	5.25"	172711	BH1025J	172736	BH1025K
B607	1 1/2 x 1 1/2 x 5/4	1/3	4.38"	172714	BH1025N	172740	BH1025P
B608	1 1/2 x 1 1/2 x 5/4	1/2	4.94"	172715	BH1027A	172741	BH1027C
B609	1 1/2 x 1 1/2 x 5/4	3/4	5.25"	172716	BH1027F	172742	BH1027G
B610	2 x 2 x 5/4	1/2	4.12"	172719	BH1027L	172746	BH1027M
B611	2 x 2 x 5/4	3/4	4.75"	172720	BH1056	172747	BH1057
B612	2 x 2 x 5/4	1	5.25"	172721	BH1057C	172748	BH1057D
B614	1 1/2 x 1 1/2 x 6 1/4	1	4.875"	172773	BH1060D	172774	BH1060E
B615	2 x 2 x 6 1/4	3/4	5.625"	172775	BH1061H	172776	BH1061J
B621	1 1/2 x 1 1/2 x 6 1/4	1/2	4.875"	172771	BH1092B	172772	BH1092C

Repair parts for both old and new design series 60 pumps are found on the following pages.

Resilient motor mounts (help motors run quiet) are used on Series 60 pumps up to 1 H.P.

Motor mounts are not offered or provided on pump motors running at 1.5 H.P. or higher.

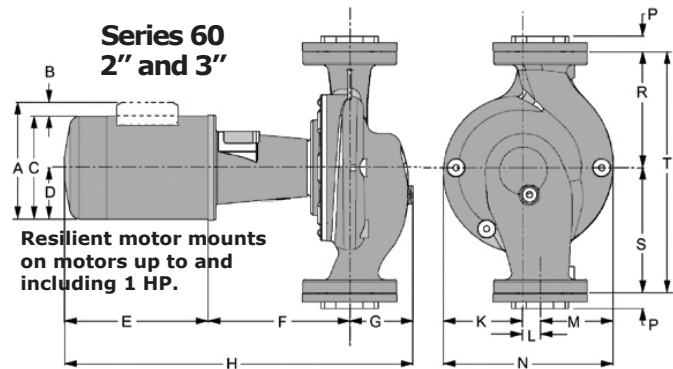
Bell & Gossett 60 Pumps Dimension Guide



Motor HP		Motor Dimensions (1750 rpm), inches — Approximate — For sizes 1" to 1½"					
HP	Phase	A	B	C	D	E	H
1/4	1	10-1/8	2-1/4	7-7/8	4-3/8	10	19-7/8
	3	7-7/8	—	7-7/8	4-3/8	10	19-7/8
1/3	1	10-1/8	2-1/4	7-7/8	4-3/8	10	19-7/8
	3	7-7/8	—	7-7/8	4-3/8	10	19-7/8
1/2	1	10-1/8	2-1/4	7-7/8	4-3/8	11	21-1/8
	3	7-7/8	—	7-7/8	4-3/8	11	21-1/8
3/4	1	10-1/8	2-1/4	7-7/8	4-3/8	11	22
	3	7-7/8	—	7-7/8	4-3/8	11	22
1	1	10-1/8	2-1/4	7-7/8	4-3/4	9-3/4	21-7/16
	3	7-7/8	—	7-7/8	4-3/4	9-3/4	21-5/16
1½	1	8-3/4	2-1/4	6-1/2	3-1/4	10-3/4	21-1/2
	3	6-1/2	—	6-1/2	3-1/4	10-3/4	21-1/2
2	3	6-1/2	—	6-1/2	3-1/4	10-3/4	21-1/2

Series 60, Sizes 2" and 3"

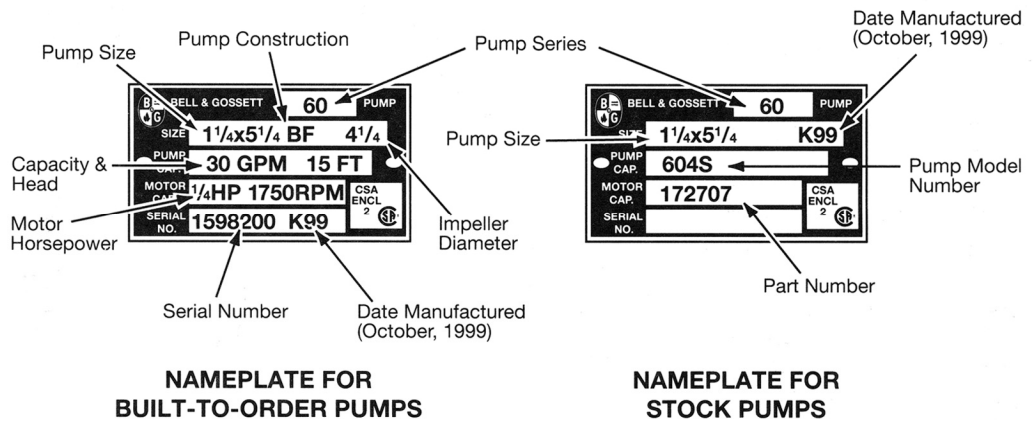
F	G	K	L	M	N	P	R	S	T
For Model 2 x 2 x 5¼									
6-11/16	3-3/4	3-3/4	1-3/8	2-7/8	8	13/16	5	6-1/2	11-1/2
For Model 2 x 2 x 6¼									
6-15/16	3-1/2	4-3/8	1	4	9-3/8	13/16	6-1/2	7	13-1/2
For Model 2 x 2 x 7									
9-3/8	3-1/2	4-3/4	1	4-1/8	9-7/8	13/16	6-1/2	7-1/2	14
For Model 3 x 3 x 5¼									
6-11/16	3-1/2	3-3/4	1-3/8	2-7/8	8	1-1/16	5-3/4	6-1/4	12



Motor HP		Motor Dimensions (1750 rpm), inches — Approximate — For sizes 2" and 3"					
HP	Phase	A	B	C	D	E	H
1/3	1	10-1/8	2-1/4	7-7/8	4-3/8	10	20-5/8
	3	7-7/8	—	7-7/8	4-3/8	10	20-5/8
1/2	1	10-1/8	2-1/4	7-7/8	4-3/8	11	20-1/2
	3	7-7/8	—	7-7/8	4-3/8	11	20-1/2
3/4	1	10-1/8	2-1/4	7-7/8	4-3/8	11	21
	3	7-7/8	—	7-7/8	4-3/8	11	21
1	1	10-1/8	2-1/4	7-7/8	4-3/4	11	22-1/2
	3	7-7/8	—	7-7/8	4-3/4	11	22-1/2
1½	1	8-3/4	2-1/4	6-1/2	3-1/4	10-3/4	21-3/8
	3	6-1/2	—	6-1/2	3-1/4	10-3/4	21-3/8
2	3	6-1/2	—	6-1/2	3-1/4	10	21-3/8
3	3	6-1/2	—	6-1/2	3-1/4	11-3/8	22-1/4

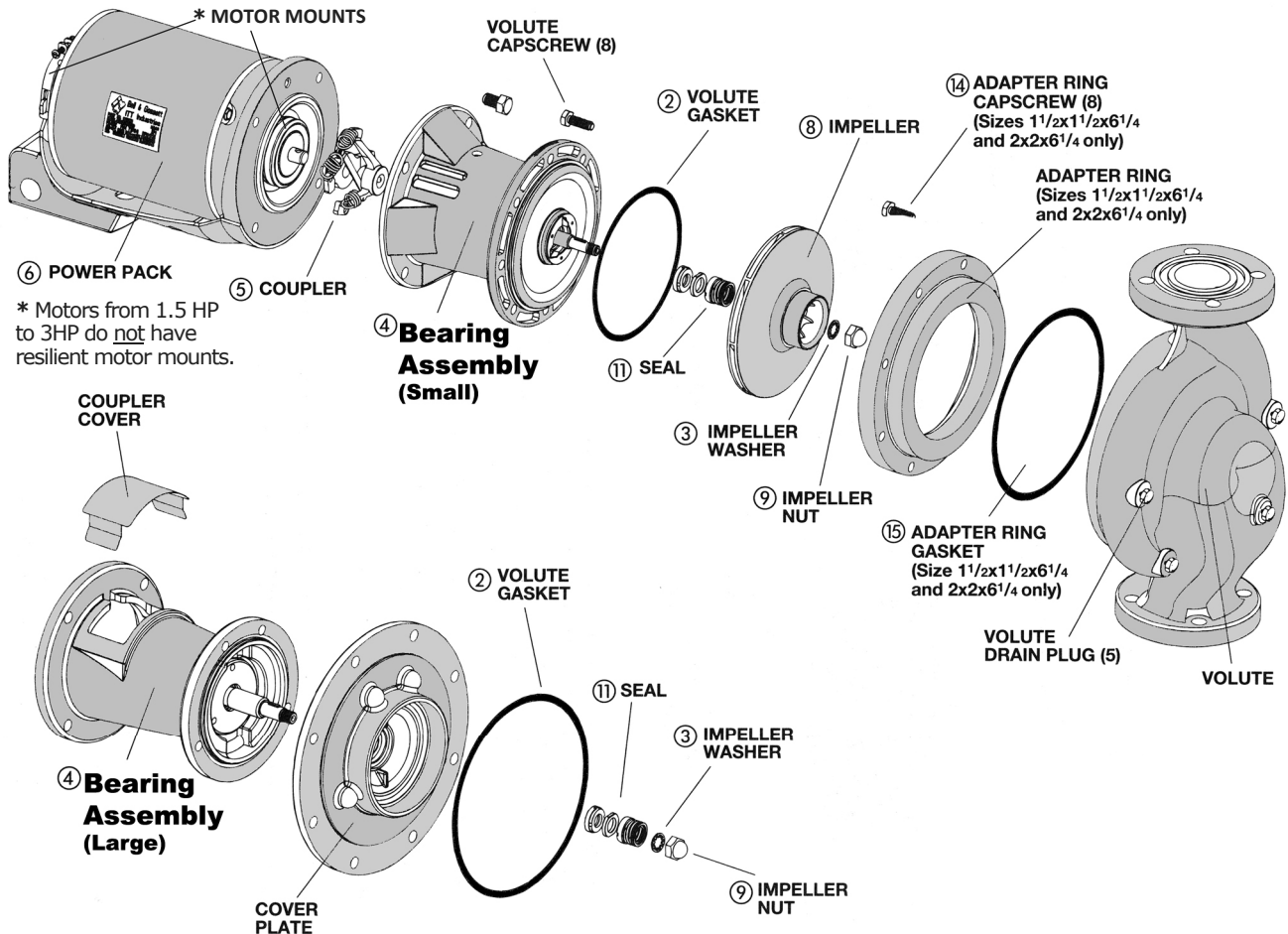
Repair Parts for New Series 60 Bell & Gossett Pumps

- **New B&G Series 60 pumps** first manufactured in 1999.
- The **Pump Nameplate** identifies the pump model for replacement or repair.
- When ordering a replacement impeller, you must determine the impeller's diameter.



B&G Series 60 Repair Parts Diagram

The repair part diagrams below work in conjunction with the **Repair Parts Ordering Tables** found on the following pages. Please note: If you need to order a replacement impeller, be careful to provide the correct impeller diameter. The second dimension for the "Pump Size" (on the nameplate above) is the impeller diameter — In the example nameplate above, the impeller diameter is shown as 5 1/4". If this nameplate is missing, the "original" bearing assembly has already been replaced — You will then need to measure the actual outside diameter of the current impeller or provide the pumping requirements (gpm @ ft/hd) for the pump.



Repair Parts for New Series 60 Bell & Gossett Pumps

REPAIR PARTS ORDERING TABLE (See previous page to reference the Item Parts Diagram)

a) The Bearing Assembly is "bronze fitted" and fits both the cast iron (red) and bronze body pumps. They are pre-assembled with the seal kit (#11) attached and the volute gasket (#2) included. **b)** The pump flanges are sold separately. Order 2 each to replace your set of current pump flanges. **c)** Includes the bolts and nuts (set of 4) to fasten one pump flange to your piping. Not included with pump flanges. **d)** Replace the Motor Mounts (at each end of most motors) every time you replace a pump coupler. **e)** Specify impeller size if different from size shown in chart below.

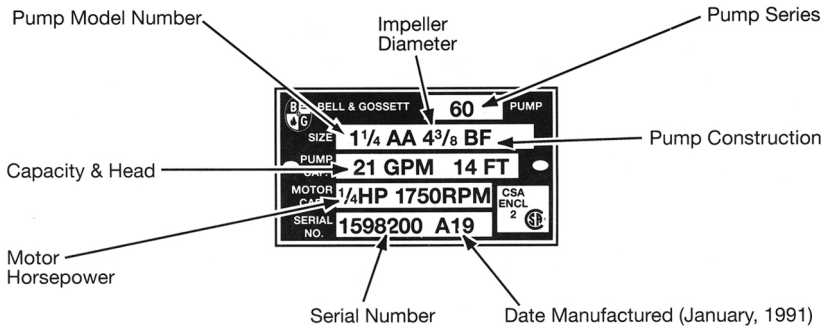
B&G Model No.	Pump Size	HP	Impeller Diam.	a) Item #4 Bearing Assembly	Item #6 Motor, 1 PH 115/230V	Item #6 Motor, 3 PH 208-230/460	d) Motor Mounts Set of Two	Item # 5 Pump Coupler	Item #11 Seal Kit	Item #2 Volute Gasket	Item #15 Adpt. Ring Gasket
601	1x5¼	1/4	4.38"	185332	BG1346E	BG1346F	BG1160	BG1240	BG1300	BG1555	—
602	1x5¼	1/3	4.84"	185332	BG1346G	BG1346H	BG1160	BG1240	BG1300	BG1555	—
603	1x5¼	1/2	5.25"	185332	BG1346J	BG1346K	BG1160	BG1240	BG1300	BG1555	—
604	1¼x5¼	1/4	4.38"	185332	BG1346E	BG1346F	BG1160	BG1240	BG1300	BG1555	—
605	1¼x5¼	1/3	4.84"	185332	BG1346G	BG1346H	BG1160	BG1240	BG1300	BG1555	—
606	1¼x5¼	1/2	5.25"	185332	BG1346J	BG1346K	BG1160	BG1240	BG1300	BG1555	—
607	1½x5¼	1/3	4.38"	185332	BG1346G	BG1346H	BG1160	BG1240	BG1300	BG1555	—
608	1½x5¼	1/2	4.94"	185332	BG1346J	BG1346K	BG1160	BG1240	BG1300	BG1555	—
609	1½x5¼	3/4	5.25"	185332	BG1346L	BG1346M	BG1160	BG1240	BG1300	BG1555	—
610	2x5¼	1/2	4.12"	185332	BG1346J	BG1346K	BG1160	BG1240	BG1300	BG1555	—
611	2x5¼	3/4	4.75"	185332	BG1346L	BG1346M	BG1160	BG1240	BG1300	BG1555	—
612	2x5¼	1	5.25"	185332	BG1346N	BG1346P	BG1336	BG1361J	BG1300	BG1555	—
613	1½x6¼	3/4	5.75"	185332	BG1346L	BG1346M	BG1160	BG1240	BG1300	BG1555	BG1560P
614	1½x6¼	1	6.25"	185332	BG1346N	BG1346P	BG1336	BG1361J	BG1300	BG1555	BG1560P
615	2x6¼	3/4	5.62"	185332	BG1346L	BG1346M	BG1160	BG1240	BG1300	BG1555	BG1560P
616	2x6¼	1	6.22"	185332	BG1346N	BG1346P	BG1336	BG1361J	BG1300	BG1555	BG1560P
617	1½x7	1½	6.50"	185333	BG1346S	BG1346T	—	BG1362	BG1380	BG1560	—
618	1½x7	2	7.00"	185333	—	BG1346U	—	BG1362	BG1380	BG1560	—
619	2x7	2	6.50"	185333	—	BG1346U	—	BG1362	BG1380	BG1560	—
620	2x7	3	7.00"	185333	—	BG1346R	—	BG1361L	BG1380	BG1560	—
621	1½x6¼	1/2	4.88"	185333	BG1346J	BG1346K	BG1160	BG1240	BG1300	BG1555	BG1560P
622	1½x7	3/4	5.50"	185333	BG1346L	BG1346M	BG1160	BG1375	BG1380	BG1560	—
623	1½x7	1	6.00"	185333	BG1346N	BG1346P	BG1336	BG1361K	BG1380	BG1560	—
624	2x7	1	5.69"	185333	BG1346N	BG1346P	BG1336	BG1361K	BG1380	BG1560	—
625	2x7	1½	6.12"	185333	BG1346S	BG1346T	—	BG1362	BG1380	BG1560	—

Continued: Repair Parts for the New Series 60 Pumps . . .

B&G Model No.	Pump Size	HP	Impeller Diam.	b) "Red" Pump Flange	b) "Bronze" Pump Flange	c) Flange Bolt Set Set of Four	Flange Gaskets Set of Two	e) Item #8 Impeller	Shaft Impeller Key	Item #9 Impeller Nut	Item #3 Impeller Washer
601	1x5¼	1/4	4.38"	BG1520N	BG1520M	BG1561H	BG1185	BG1713	BG1527	BG1542	BG1521B
602	1x5¼	1/3	4.84"	BG1520N	BG1520M	BG1561H	BG1185	BG1712	BG1527	BG1542	BG1521B
603	1x5¼	1/2	5.25"	BG1520N	BG1520M	BG1561H	BG1185	BG1559E	BG1527	BG1542	BG1521B
604	1¼x5¼	1/4	4.38"	BG1519F	BG1520P	BG1561H	BG1185	BG1713	BG1527	BG1542	BG1521B
605	1¼x5¼	1/3	4.84"	BG1519F	BG1520P	BG1561H	BG1185	BG1712	BG1527	BG1542	BG1521B
606	1¼x5¼	1/2	5.25"	BG1519F	BG1520P	BG1561H	BG1185	BG1559E	BG1527	BG1542	BG1521B
607	1½x5¼	1/3	4.38"	BG1520R	BG1537	BG1561J	BG1190	BG1716	BG1527	BG1542	BG1521B
608	1½x5¼	1/2	4.94"	BG1520R	BG1537	BG1561J	BG1190	BG1715	BG1527	BG1542	BG1521B
609	1½x5¼	3/4	5.25"	BG1520R	BG1537	BG1561J	BG1190	BG1559B	BG1527	BG1542	BG1521B
610	2x5¼	1/2	4.12"	BG1511	BG1511A	BG1561L	BG1195	BG1718	BG1527	BG1542	BG1521B
611	2x5¼	3/4	4.75"	BG1511	BG1511A	BG1561L	BG1195	BG1717	BG1527	BG1542	BG1521B
612	2x5¼	1	5.25"	BG1511	BG1511A	BG1561L	BG1195	BG1559	BG1527	BG1542	BG1521B
613	1½x6¼	3/4	5.75"	BG1520R	BG1537	BG1561J	BG1190	BG1719	BG1527	BG1542	BG1521B
614	1½x6¼	1	6.25"	BG1520R	BG1537	BG1561J	BG1190	BG1559H	BG1527	BG1542	BG1521B
615	2x6¼	3/4	5.62"	BG1511	BG1511A	BG1561L	BG1195	BG1720	BG1527	BG1542	BG1521B
616	2x6¼	1	6.22"	BG1511	BG1511A	BG1561L	BG1195	BG1559G	BG1527	BG1542	BG1521B
617	1½x7	1½	6.50"	BG1520R	BG1537	BG1561J	BG1190	BG1557	BG1547	BG1539A	BG1539F
618	1½x7	1½	7.00"	BG1520R	BG1537	BG1561J	BG1190	BG1556	BG1547	BG1539A	BG1539F
619	2x7	2	6.50"	BG1511	BG1511A	BG1561L	BG1195	BG1700	BG1547	BG1539A	BG1539F
620	2x7	3	7.00"	BG1511	BG1511A	BG1561L	BG1195	BG1558	BG1547	BG1539A	BG1539F
621	1½x6¼	1/2	4.88"	BG1520R	BG1537	BG1561J	BG1190	BG1560S	BG1527	BG1542	BG1521B
622	1½x7	3/4	5.50"	BG1520R	BG1537	BG1561J	BG1190	BG1560T	BG1547	BG1539A	BG1539F
623	1½x7	1	6.00"	BG1520R	BG1537	BG1561J	BG1190	BG1560U	BG1547	BG1539A	BG1539F
624	2x7	1	5.69"	BG1511	BG1511A	BG1561L	BG1195	BG1560V	BG1547	BG1539A	BG1539F
625	2x7	1½	6.12"	BG1511	BG1511A	BG1561L	BG1195	BG1560Q	BG1547	BG1539A	BG1539F

Repair Parts for "Old" Series 60 Bell & Gossett Pumps

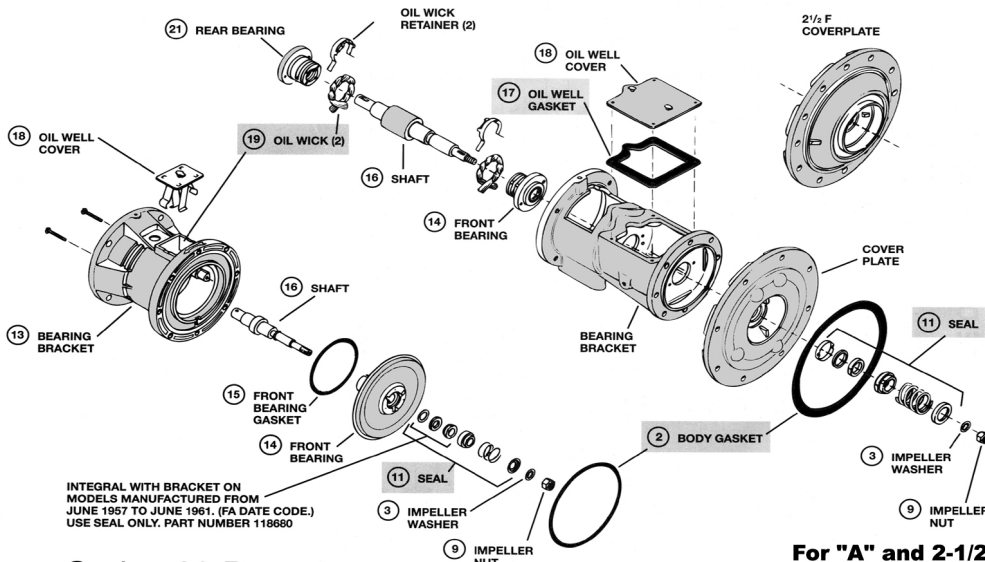
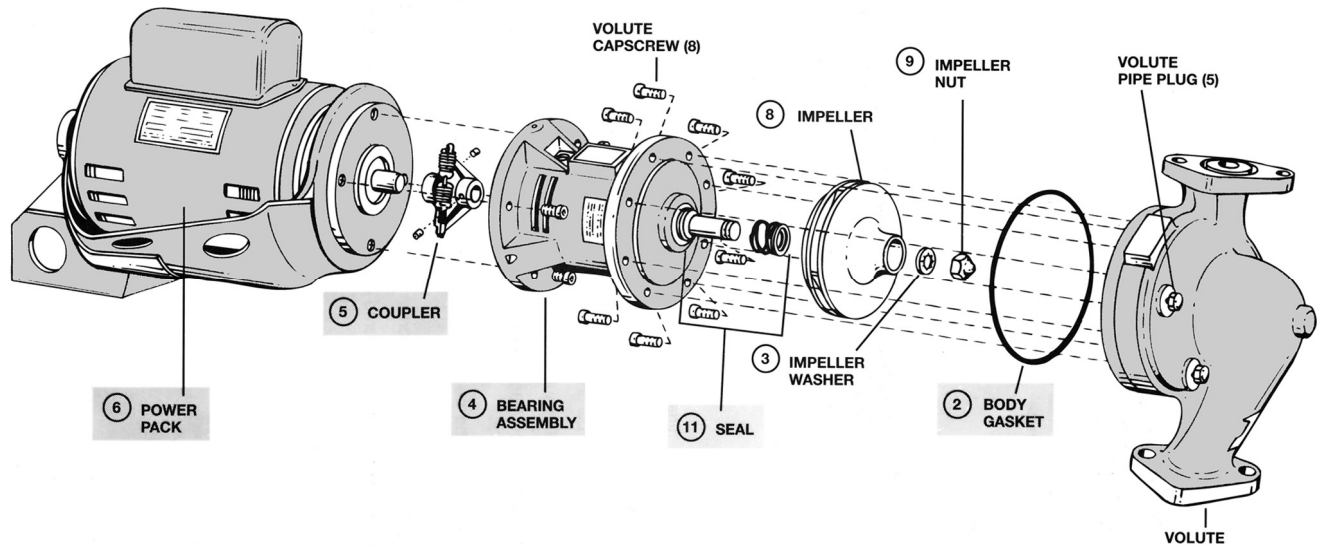
Old B&G Series 60 pumps were last manufactured in early 1999. The **Pump Nameplate** identifies the pump for replacement or repair. When ordering a replacement impeller you must determine the impeller's diameter.



Old Style 60

The old series 60 pump has diamond-shaped pump flanges.

"Old" B&G Series 60 Repair Parts Diagram



INTEGRAL WITH BRACKET ON MODELS MANUFACTURED FROM JUNE 1987 TO JUNE 1991. (FA DATE CODE.) USE SEAL ONLY. PART NUMBER 116880

Series 60 Pump BEARING ASSEMBLY

For "AA" model pumps

For "A" and 2-1/2" model pumps

The old Bell & Gossett Series 60 pumps were replaced by the new maintenance free sleeve bearing design series 60 pumps (found on the preceding pages) in early 1999.

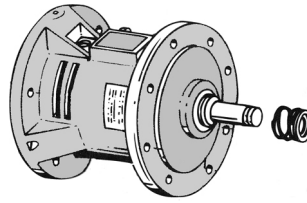
These old style pumps are easily identified by the nameplate on the pump.

Other ways of identifying the pump include looking at the bearing assembly to see if you have an **oil well cover**. The new series 60 pumps are maintenance-free: They do not have an oil well cover because they do not need to be oiled.

Repair Parts for "Old" Series 60 Bell & Gossett Pumps

REPAIR PARTS ORDERING TABLE (See previous page for Repair Parts Diagram)

a) The Bearing Assembly fits both the cast iron (red) and bronze body pumps. They are pre-assembled with the seal kit (#11) attached. The volute gasket (#2), and a tube of oil are also included. **b)** The pump flanges are sold separately. Order 2 each to replace your set of current pump flanges. **c)** Includes the bolts and nuts (set of 2 or 4) to fasten one pump flange to your piping. **d)** Replace the Motor Mounts (at each end of the motor) every time you replace a coupler. **e)** Specify impeller size if different from the size shown in the chart below.



Bearing Assembly
All are bronze fitted

The **BEST WAY** to repair your pump (assuming the motor is working fine) is to replace the entire bearing assembly. Sometimes known as the "pump housing," all the new components that actually do the pumping (except for the impeller) are pre-assembled and ready for easy installation.

Order replacement impellers separately.

B&G Model No.	Pump Size	HP	Impeller Diam.	Item #4 a) Bearing Assembly	Item #6 Motor, 1 PH 115/230V	Item #6 Motor, 3 PH 208-230/460	d) Motor Mounts Set of Two	Item #5 Pump Coupler	Item #11 Seal Kit	Item #2 Body Gasket	Item #19 Oil Wick	Item #18 Oil Well Cover
60-1	1" AA	1/4	5.25"	186863	BG1340	BG1338C	BG1160	BG1240	BG1300	BG1555	BG1200	BG1625
60-2	1-1/4" AA	1/3	5.25"	186863	BG1339	BG1339A	BG1160	BG1240	BG1300	BG1555	BG1200	BG1625
60-3	1-1/2" AA	1/2	5.25"	186863	BG1100	BG1105	BG1160	BG1240	BG1300	BG1555	BG1200	BG1625
60-4	2" AA	3/4	5.25"	186863	BG1110	BG1115	BG1160	BG1240	BG1300	BG1555	BG1200	BG1625
60-5	1-1/2" A	1/2	5.75"	4 185260	BG1100	BG1105	BG1160	BG1375	BG1380	BG1555	BG1522	BG1553
60-6	1-1/2" A	3/4	6.5"	4 185260	BG1110	BG1115	BG1160	BG1375	BG1380	BG1555	BG1522	BG1553
60-7	1-1/2" A	1	7"	4 185260	BG1116	BG1342	BG1336	BG1245	BG1380	BG1555	BG1522	BG1553
60-8	2" A	3/4	5.625"	4 185260	BG1110	BG1115	BG1160	BG1375	BG1380	BG1555	BG1522	BG1553
60-9	2" A	1	6.125"	4 185260	BG1116	BG1342	BG1336	BG1245	BG1380	BG1555	BG1522	BG1553
60-10T	2" A	1 1/2	6.75"	4 185260	—	BG1344	BG1336	BG1362	BG1380	BG1555	BG1522	BG1553
60-10S	1" AA	1/4	5.25"	186863	5 BG1340	—	BG1160	BG1240	BG1300	BG1555	BG1200	BG1625
60-11	1-1/4" AA	1/4	5.185"	186863	5 BG1340	BG1338C	BG1160	BG1240	BG1300	BG1555	BG1200	BG1625
60-13	1-1/2" AA	1/2	5.25"	186863	BG1100	BG1105	BG1160	BG1240	BG1300	BG1555	BG1200	BG1625
60-14	2" AA	3/4	5.25"	186863	BG1110	BG1115	BG1336	BG1240	BG1300	BG1555	BG1200	BG1625
60-15	1-1/2" A	1/2	5.75"	4 185260	BG1100	BG1105	BG1160	BG1375	BG1380	BG1555	BG1522	BG1553
60-16	1-1/2" A	3/4	6.375"	4 185260	BG1110	BG1115	BG1160	BG1375	BG1380	BG1555	BG1522	BG1553
60-17	1-1/2" A	1	7"	4 185260	BG1116	BG1342	BG1336	BG1245	BG1380	BG1560	BG1522	BG1553
60-19	2" A	1	6"	4 185260	BG1116	BG1342	BG1336	BG1245	BG1380	BG1560	BG1522	BG1553
60-20	2" A	1 1/2	6.5"	4 185260	BG1344A	BG1344	BG1336	BG1362	BG1380	BG1560	BG1522	BG1553
60-21	2" A	2	7"	4 185260	—	BG1346	BG1336	BG1362	BG1380	BG1555	BG1522	BG1553
60-22	2-1/2" F	3	7.75"	185264	—	BG1346C	—	BG1564A	BG1380	BG1560	BG1522	BG1553

⁵ 115 volt only. For 230 volt motor use 169036. ⁴ Use the 185262 bronze bearing assembly if a Bronze body pump is being repaired.

Continued: Repair Parts for the Old Series 60 Pumps . . .

B&G Model No.	Pump Size	HP	Impeller Diam.	b)"Red" Pump Flange	b)"Bronze" Pump Flange	c) Flange Bolt Set	Flange Gaskets Set of Two	Note e) Item #8 Impeller	Item #9 Impeller Nut	Item #3 Impeller Washer	Item #16 Shaft	Item #14 Front Bearing	Item #15 Bearing Gasket
60-1	1" AA	1/4	5.25"	BG1520N	BG1520M	BG1561H	BG1185	BG1364	BG1542	BG1552	BG1440	BG1564	BG1615
60-2	1-1/4" AA	1/3	5.25"	BG1519F	BG1520P	BG1561H	BG1185	BG1364	BG1542	BG1552	BG1440	BG1564	BG1615
60-3	1-1/2" AA	1/2	5.25"	BG1520R	BG1537	BG1561H	BG1190	BG1370	BG1542	BG1552	BG1440	BG1564	BG1615
60-4	2" AA	3/4	5.25"	BG1511	BG1511A	BG1561K	BG1195	BG1255	BG1542	BG1552	BG1440	BG1564	BG1615
60-5	1-1/2" A	1/2	5.75"	BG1520R	BG1537	BG1561J	BG1190	BG1552H	BG1543	BG1539E	BG1235	BG1355	—
60-6	1-1/2" A	3/4	6.5"	BG1520R	BG1537	BG1561J	BG1190	BG1552D	BG1543	BG1539E	BG1235	BG1355	—
60-7	1-1/2" A	1	7"	BG1520R	BG1537	BG1561J	BG1190	BG1552D	BG1543	BG1539E	BG1235	BG1355	—
60-8	2" A	3/4	5.625"	BG1511	BG1511A	BG1561K	BG1195	BG1552K	BG1543	BG1539E	BG1235	BG1355	—
60-9	2" A	1	6.125"	BG1511	BG1511A	BG1561K	BG1195	BG1552J	BG1543	BG1539E	BG1235	BG1355	—
60-10T	2" A	1 1/2	6.75"	BG1511	BG1511A	BG1561K	BG1195	BG1552E	BG1543	BG1539E	BG1235	BG1355	—
60-10S	1" AA	1/4	5.25"	BG1520N	BG1520M	BG1561H	BG1185	BG1364	BG1542	BG1552	BG1440	BG1564	BG1615
60-11	1-1/4" AA	1/4	5.185"	BG1519F	BG1520P	BG1561H	BG1185	BG1365	BG1542	BG1552	BG1440	BG1564	BG1615
60-13	1-1/2" AA	1/2	5.25"	BG1520R	BG1537	BG1561J	BG1190	BG1370	BG1542	BG1552	BG1440	BG1564	BG1615
60-14	2" AA	3/4	5.25"	BG1511	BG1511A	BG1561K	BG1195	BG1255	BG1542	BG1552	BG1440	BG1564	BG1615
60-15	1-1/2" A	1/2	5.75"	BG1520R	BG1537	BG1561J	BG1190	BG1552H	BG1543	BG1539E	BG1235	BG1355	—
60-16	1-1/2" A	3/4	6.375"	BG1520R	BG1537	BG1561J	BG1190	BG1552G	BG1543	BG1539E	BG1235	BG1355	—
60-17	1-1/2" A	1	7"	BG1520R	BG1537	BG1561J	BG1190	BG1552D	BG1543	BG1539E	BG1235	BG1355	—
60-19	2" A	1	6"	BG1511	BG1511A	BG1561K	BG1195	BG1552K	BG1543	BG1539E	BG1235	BG1355	—
60-20	2" A	1 1/2	6.5"	BG1511	BG1511A	BG1561K	BG1195	BG1552J	BG1543	BG1539E	BG1235	BG1355	—
60-21	2" A	2	7"	BG1511	BG1511A	BG1561K	BG1195	BG1552E	BG1543	BG1539E	BG1235	BG1355	—
60-22	2-1/2" F	3	7.75"	—	—	—	—	BG1558D	BG1543	BG1539E	BG1235	BG1355	—