



Submittal Data

1600 Series Pumps (Stock Models)

301-001

EFFECTIVE: JULY 1, 2011

SUPERSEDES: AUGUST 1, 1991

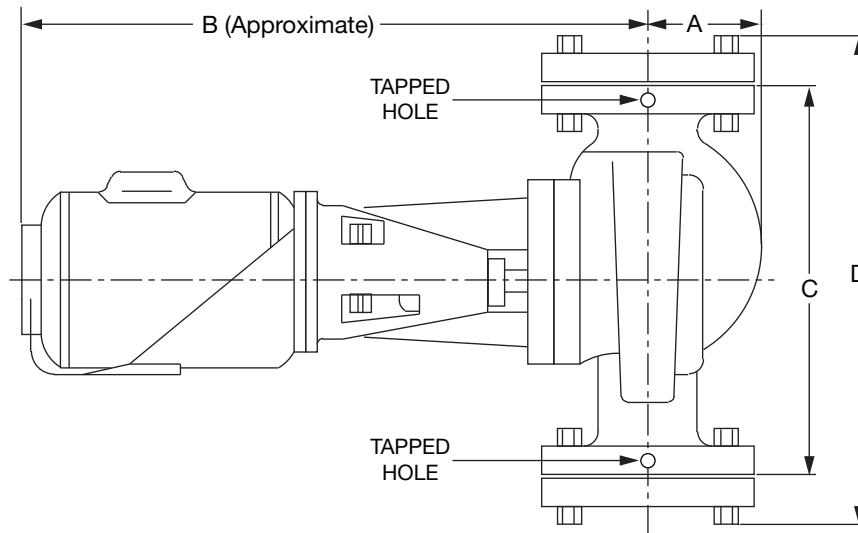
1750 RPM MODELS

JOB _____ ENGINEER _____

CONTRACTOR _____ REP. _____

ITEM NO.	MODEL NO.	IMPELLER DIA.	G.P.M.	T.D.H.	H.P.	ELEC. CHAR.

WEIGHT _____ PUMP/MOTOR _____



DIMENSIONS:

* 1/4 HP AVAILABLE IN 1 PHASE ONLY

MODEL NUMBER		FLANGE SIZE	POWER HP (KW)	DIMENSIONS			
STOCK 1600	CUSTOM 1600			A	B	C	D
1600	1611	1 1/2 (38)	1/4 (0.19) *	3 (76)	16.0 (419)	10 1/4 (260)	12 7/8 (327)
1610			1/3 (0.25)		16.0 (419)		
			1/2 (0.37)		17.0 (432)		
	1615	1 1/2 (38)	1/3 (0.25)	3 1/8 (79)	18.0 (457)	13 1/2 (343)	16 1/8 (410)
1612			1/2 (0.37)		18.5 (470)		
1614			3/4 (0.56)		19.0 (483)		
			1 (0.75)		19.5 (495)		
	1619	2 (51)	3/4 (0.56)	3 (76)	18.5 (470)	14 1/2 (368)	17 3/8 (441)
1616			1 (0.75)		19.0 (483)		
			1 1/2 (1.10)		21.0 (533)		
			2 (1.50)		23.0 (584)		
	1635	2 (51)	1/2 (0.37)	3 1/2 (89)	18.0 (457)	13 1/2 (343)	16 1/8 (410)
1632			3/4 (0.56)		18.5 (470)		
1634			1 (0.75)		19.0 (483)		
			1 1/2 (1.10)		21.0 (533)		
	1641	2 (51)	1 1/2 (1.10)	3 5/8 (92)	21.0 (533)	16 1/2 (419)	19 1/2 (495)
1636			2 (1.50)		23.0 (584)		
1638			3 (2.37)		24.0 (610)		

English dimensions are in inches. Metric dimensions are in millimeters. Metric data is presented in ().
Do not use for construction purposes unless certified.

NOTE: Individual Submittal Data sheets are available for CUSTOM models.

MATERIALS OF CONSTRUCTION

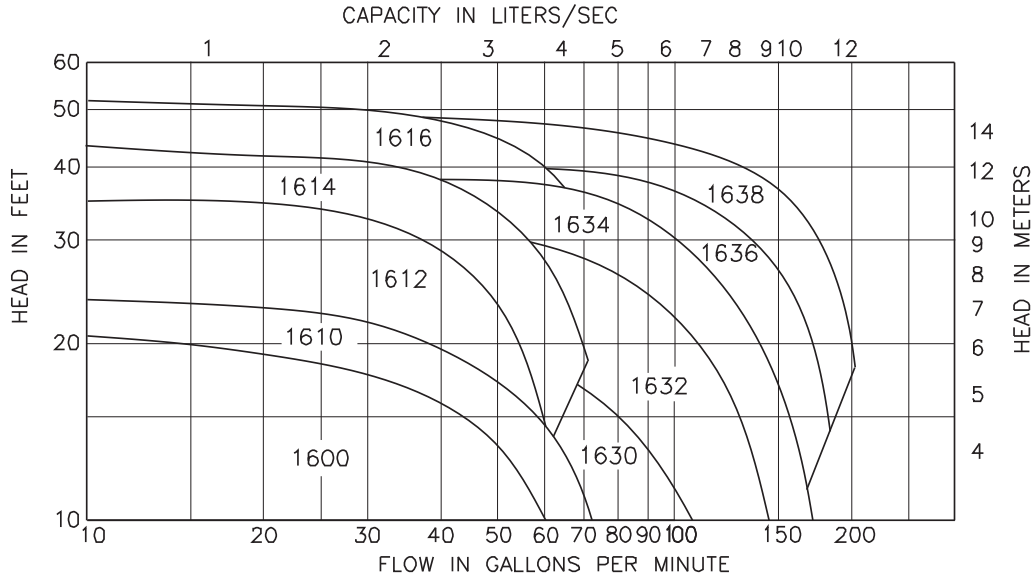
Item	Standard	Optional
Casing	Cast Iron	Bronze
Impeller	Cast Bronze	N/A
Shaft	Hardened Alloy Steel	Stainless Steel 416
Shaft Sleeve	Cupro-Nickel	N/A
Bracket	Cast Iron	Cast Iron with Stainless Steel Face Plate

N/A - Not Available

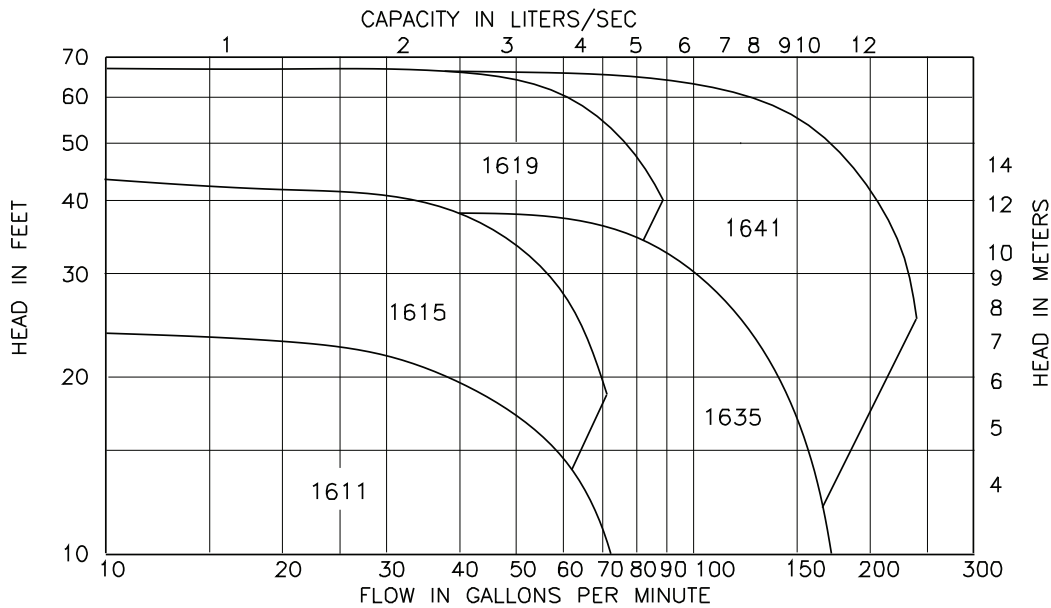
SPECIFICATIONS

MOTORS	1750 RPM, Three Phase 200V or 230/460V, 60Hz. Also available in Single Phase with overload protection except 3HP (2238 Watts).
BODY	Flanged in-line connections. Companion flanges are included.
FLANGES	Flanges are tapped for gauges (1/4" NPT).
IMPELLER	Closed, dynamically balanced
DRIVE COUPLING	Non-Metallic, vibration dampening
FRAME	Ball bearing type, permanently lubricated. REMOVABLE BEARING CARTRIDGE FITS ALL MODELS.
MECHANICAL SEAL	Type 21 2 Piece Standard - 250°F (121°C) Operating Temperature or Optional High Temperature - 300°F (149°C) Operating Temperature
WORKING PRESSURE	175 PSI (1207 kpa). In accordance with ANSI Standard B16.1.

1600 SERIES STOCK UNIT QUICK SELECTION CURVES (1750 RPM)



1600 SERIES CUSTOM UNIT QUICK SELECTION CURVES (1750 RPM)



Comments: _____

Do it Once. Do it Right.®

TACO, INC., 1160 Cranston Street, Cranston, RI 02920 Telephone: (401) 942-8000 FAX: (401) 942-2360.
TACO (Canada), Ltd., 8450 Lawson Road, Unit #3, Milton, Ontario L9T 0J8. Telephone: 905/564-9422. FAX: 905/564-9436.
 Visit our web site at: <http://www.taco-hvac.com>

Printed in USA
 Copyright 2011
 TACO, Inc.