

**LITTLE GIANT
 SEWAGE ACCESSORIES
 & INSTRUCTIONS FOR
 TYPICAL INSTALLATION**

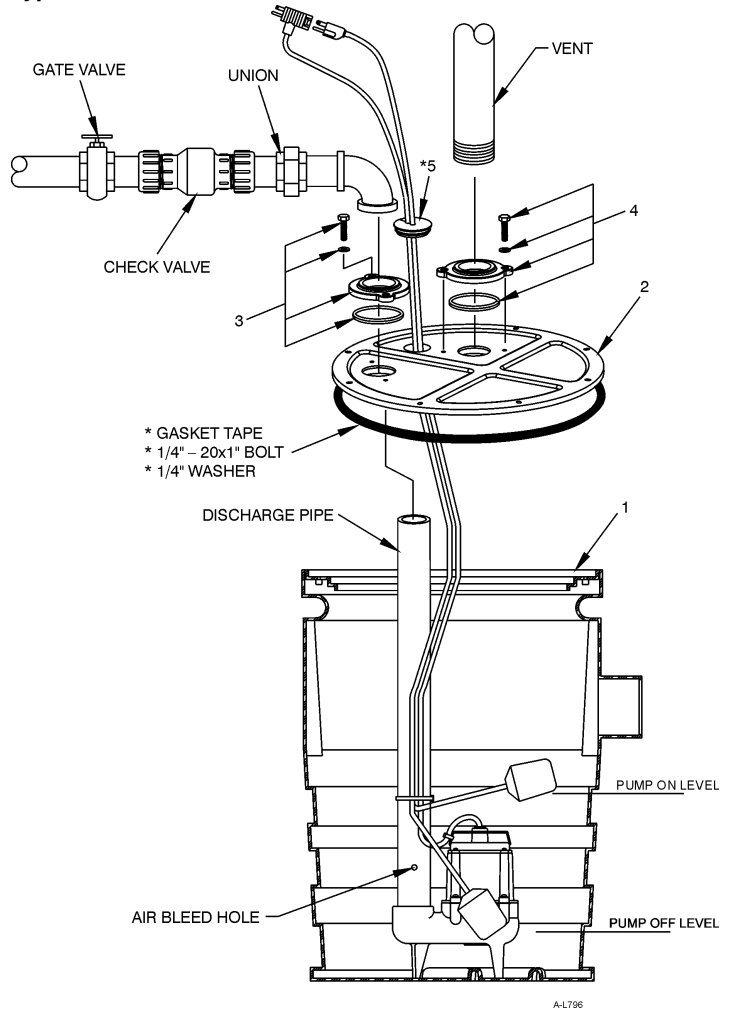
**ASSEMBLY INSTRUCTIONS FOR
 BC2030CS-LG BASIN/COVER ASSEMBLY
 BC2424CS-LG BASIN/COVER ASSEMBLY**

TYPICAL INSTALLATION (FIGURE 1):

Verify all parts with basin and cover assemblies are received intact.

1. Remove bolts and washers in cover and set aside.
2. Remove gasket material from hardware kit and place material around circumference of basin inside of bolt circle.
3. Install the discharge pipe in the discharge of the pump.
4. Install float switch 4" above discharge of pump with a 3-1/2" tether length. Float switch should be installed in a manner that will not allow it to contact the pump or side of basin during operation. Refer to float switch instruction manual for alternative settings. Place the pump in the basin.
5. To install the cover, pull the pump and float cords through the smallest hole in the cover. Place the cover on the basin, making sure the discharge pipe is through the proper hole in the cover (holes are labeled on bottom of cover). Secure the lid to the basin, using the bolts and washers provided. Place the larger square-cut O-ring on discharge pipe with beveled edge down. Install flange and tighten bolts. Place the remaining O-ring in the bottom of the vent flange with beveled edge down. Install flange and tighten bolts.
6. Pull the slack out of the cords and install them through the grommet 1"-2" above the cover. Press the grommet in the hole in the cover.
7. Install a vent pipe by threading it on the vent flange. Make sure the flange bolts are tight.

**Figure 1
 Typical Installation**



REPLACEMENT PARTS LIST			
ITEM	P/N	DESCRIPTION	QTY.
1	113095	BASIN, 20" x 30"	1
1	113093	BASIN, 24" x 24"	1
2	113180	COVER ASSEMBLY, 2V2D	1
2	113181	COVER ASSEMBLY, 2V3D	1
2	113182	COVER ASSEMBLY, 3V2D	1
2	11318300	COVER ASSEMBLY, 3V3D	1
3	113215	FLANGE, 2" VENT PIPE	1
3	113202	FLANGE, 3" VENT PIPE	1
4	113214	FLANGE, 2" DISCHARGE PIPE	1
4	113216	FLANGE, 3" DISCHARGE PIPE	1
5	925014	GROMMET, 2-HOLE	1
*	11317100	COVER ASSEMBLY HARDWARE KIT	1

For parts or repair, please contact1-888-572-9933
 For technical assistance, please contact1-888-956-0000

www.LittleGiantPump.com
 CustomerService-WTS@fele.com