

Little GIANT®

CHECK VALVES



CV - 114/112, CV-SE



CV-SE1, CV-SE2 and CV-SE3



CV-114



CV - 114/112 and CV-SE

Features

- ABS construction
- Easy slip fit design makes simple installation
- Durable flapper designs checks back flow of water and sewer gasses
- Can be installed in vertical or horizontal line
- Flexible unions slip over ABS, PVC or copper pipe
- CV-114/112 fits both 1-1/4" and 1-1/2" IPS pipe
- CV-SE fits 2" IPS pipe

CV-SE1, CV-SE2 and CV-SE3

Features

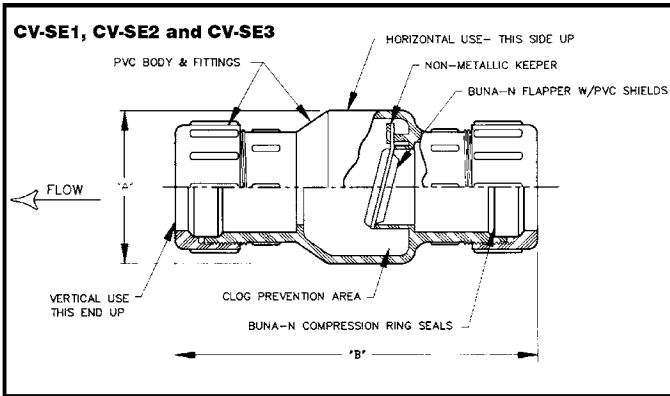
- Full flow non-clog design
- Compression end fittings allow quick and easy installation, no threading of pipe required
- Suitable for below pit cover installation
- Can be used as a union connection

CV-114

Features

- Full port valve design
- Durable PVC construction, 1-1/4" MNPT x 1-1/4" barbed or 1-1/2" slip
- Flapper opens 100%

CHECK VALVES



ITEM NO.	MODEL NO.	IPS SIZE	DIM "A"	DIM "B"	SOLID HANDLING
599059	CV-114/112	1-1/4" & 1-1/2"	3" SQUARE	7.25	1"
577105	CV-114	1-1/4" MNPT 1-1/4" BARBED & 1-1/2" SLIP	2.59	3.75	N/A
940021	CV-SE	2"	3" SQUARE	8"	3/4"
940019	CV-SE1	1-1/2"	3-1/4"	7-1/2"	1-1/2"
940022	CV-SE1	2"	4-1/4"	9-3/4"	2"
940023	CV-SE3	3"	5-3/4"	14"	3"

Guidelines for Use of Check Valve in Sewage, Effluent and Ejector Pump Systems:

1. Valve may be installed horizontally or vertically. However, when installed in systems handling solids, valve must be installed horizontally or at a maximum of a 45° angle. This will guard against any solids lodging on top of valve flapper and preventing valve from opening on start-up.
2. Valves have flow direction arrows and horizontal and vertical position markings molded on them. Use horizontal position markings for all installations from horizontal to vertical to ensure correct flapper pivot position. (Recommended maximum 45° angle on solids handling applications).
3. For submersible pump applications, drill a 3/16" hole in discharge pipe approximately 1"-2" above the pump discharge connection to prevent air locking of pump.
4. When check valve is used as a union, connection must be beyond end of basin cover to make servicing of installation easier. To use as a union connection, the following axial movement of discharge pipe must be allowed to remove discharge pipe from valves:
 - CV-SE1 — 2-3/4"
 - CV-SE2 — 3-1/4"
 - CV-SE3 — 4-1/4"
5. A gate valve should be installed after check valve to allow servicing and removal of check valve or pipe.
6. All discharge piping should be properly supported to prevent separation of pipe at valve.

