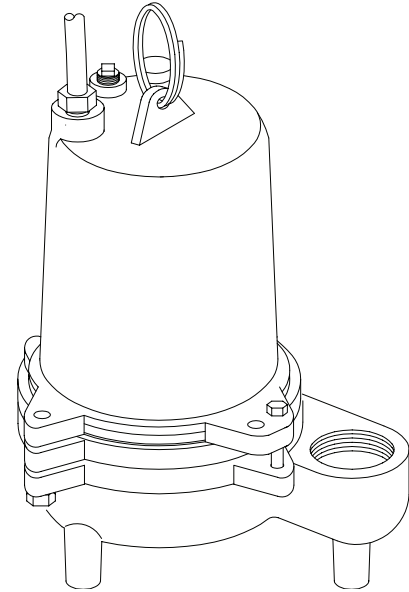


Submersible Effluent Pumps

Specifications:

DISCHARGE	2" NPT, Female, Vertical
LIQUID TEMPERATURE	SE411: 77°F (25°C) Continuous SE421: 104°F (40°C) Continuous
VOLUTE	Cast Iron ASTM A-48, Class 30
MOTOR HOUSING	Cast Iron ASTM A-48, Class 30
SEAL PLATE	Cast Iron ASTM A-48, Class 30
IMPELLER: Design	2 Vane, Open with pump out vanes on back side Dynamically Balanced, ISO G6.3
<i>Material</i>	Cast Iron ASTM A-48, Class 30
SHAFT	416 Stainless Steel
SQUARE RINGS	Buna-N
HARDWARE	300 Series Stainless Steel
PAINT	Air Dry Enamel
SEAL: Design	Single Mechanical, Oil Filled Reservoir, Secondary Exclusion Seal
<i>Material</i>	Carbon/Ceramic/Buna-N Hardware - 300 Series Stainless
CORD ENTRY	15 ft. (5m) Quick Disconnect Cord with plug On 115 Volt, Pressure Grommet for sealing and strain relief
UPPER BEARING	Single Row, Ball, Oil Lubricated
LOWER BEARING	Single Row, Ball, Oil Lubricated
MOTOR: Design	NEMA L Torque Curve, Oil Filled, Squirrel Cage Induction
<i>Insulation</i>	Class B
SINGLE PHASE	Permanent Split Capacitor (PSC) Includes Overload Protection in Motor
LEVEL CONTROL	"A" - Wide Angle, PVC, Mechanical, 15 ft (5m) cord with Piggy-Back Plug, N/O "AU"- Wide Angle, Polypropylene, Mechanical, N/O Integral to pump. ON and OFF Points are adjustable "VF" - Vertical Float, PVC, Snap Action, 15 ft (5m) cord, with Piggy-Back plug. OFF point ONLY is adjustable
OPTIONAL EQUIPMENT	Seal Material, Additional Cord
RECOMMENDED:	
<i>Accessories</i>	Break Away Fitting (BAF) Check Valve Control Panel
<i>Seal Kit PN</i>	085202
<i>Service Kit PN</i>	085201



Series: SE (SE411 & SE421) .4HP, 1750RPM, 60Hz



DESCRIPTION:

PUMP IS DESIGNED FOR HANDLING SEWAGE EFFLUENT IN TYPICAL SEPTIC TANK/EFFLUENT APPLICATIONS.

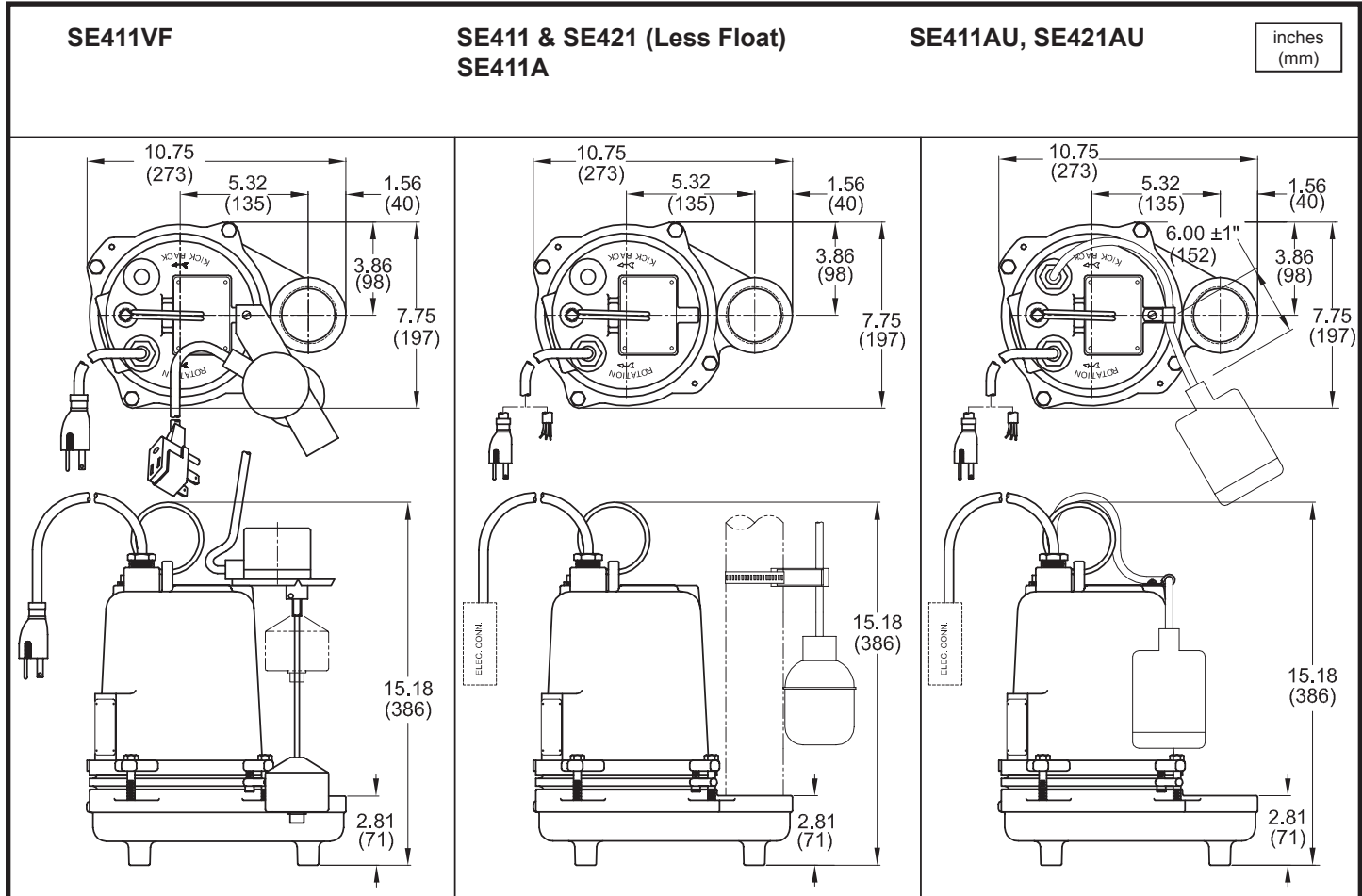
Series SE

2" Spherical Solids Handling
Manual & Automatic

BARNES®

www.cranepumps.com

Submersible Effluent Pumps



MODEL NO	PART NO	HP	VOLT	PH/Hz	RPM (Nom)	NEMA START CODE	FULL LOAD AMPS	LOCKED ROTOR AMPS	CORD SIZE	CORD TYPE	CORD O.D inch (mm)
SE411	096747	0.4	115	1 / 60	1750	C	12.0	19.0	14/3	SJTOW	0.375 (9.5)
SE411A	096748	0.4	115	1 / 60	1750	C	12.0	19.0	14/3	SJTOW	0.375 (9.5)
SE411AU	096749	0.4	115	1 / 60	1750	C	12.0	19.0	14/3	SJTOW	0.375 (9.5)
SE411VF	100836	0.4	115	1 / 60	1750	C	12.0	19.0	14/3	SJTOW	0.375 (9.5)
SE421	096750	0.4	230	1 / 60	1750	C	6.2	13.0	14/3	SJTOW	0.375 (9.5)
SE421AU	096751	0.4	230	1 / 60	1750	C	6.2	13.0	14/3	SJTOW	0.375 (9.5)

Mechanical Switch on SE-A, cord 16/2, SJOW, Piggy-Back Plug
 Mechanical Switch on SE-AU, cord 14/2, SJOW, 0.370 (9.4mm) O.D.
 Vertical Switch on SE-VF, cord 16/2, SJOW, 0.320 (8.1mm) O.D. Piggy-Back Plug

IMPORTANT !

- 1.) PUMP MAY BE OPERATED "DRY" FOR EXTENDED PERIODS WITHOUT DAMAGE TO MOTOR AND/OR SEALS.
- 2.) THIS PUMP IS NOT APPROPRIATE FOR THOSE APPLICATIONS SPECIFIED AS CLASS I DIVISION I HAZARDOUS LOCATIONS.
- 3.) INSTALLATIONS SUCH AS DECORATIVE FOUNTAINS OR WATER FEATURES PROVIDED FOR VISUAL ENJOYMENT MUST BE INSTALLED IN ACCORDANCE WITH THE NATIONAL ELECTRIC CODE ANSI/NFPA 70 AND/OR THE AUTHORITY HAVING JURISDICTION. THIS PUMP IS NOT INTENDED FOR USE IN SWIMMING POOLS, RECREATIONAL WATER PARKS, OR INSTALLATIONS IN WHICH HUMAN CONTACT WITH PUMPED MEDIA IS A COMMON OCCURRENCE.

SECTION 3A
PAGE 32
DATE 6/13

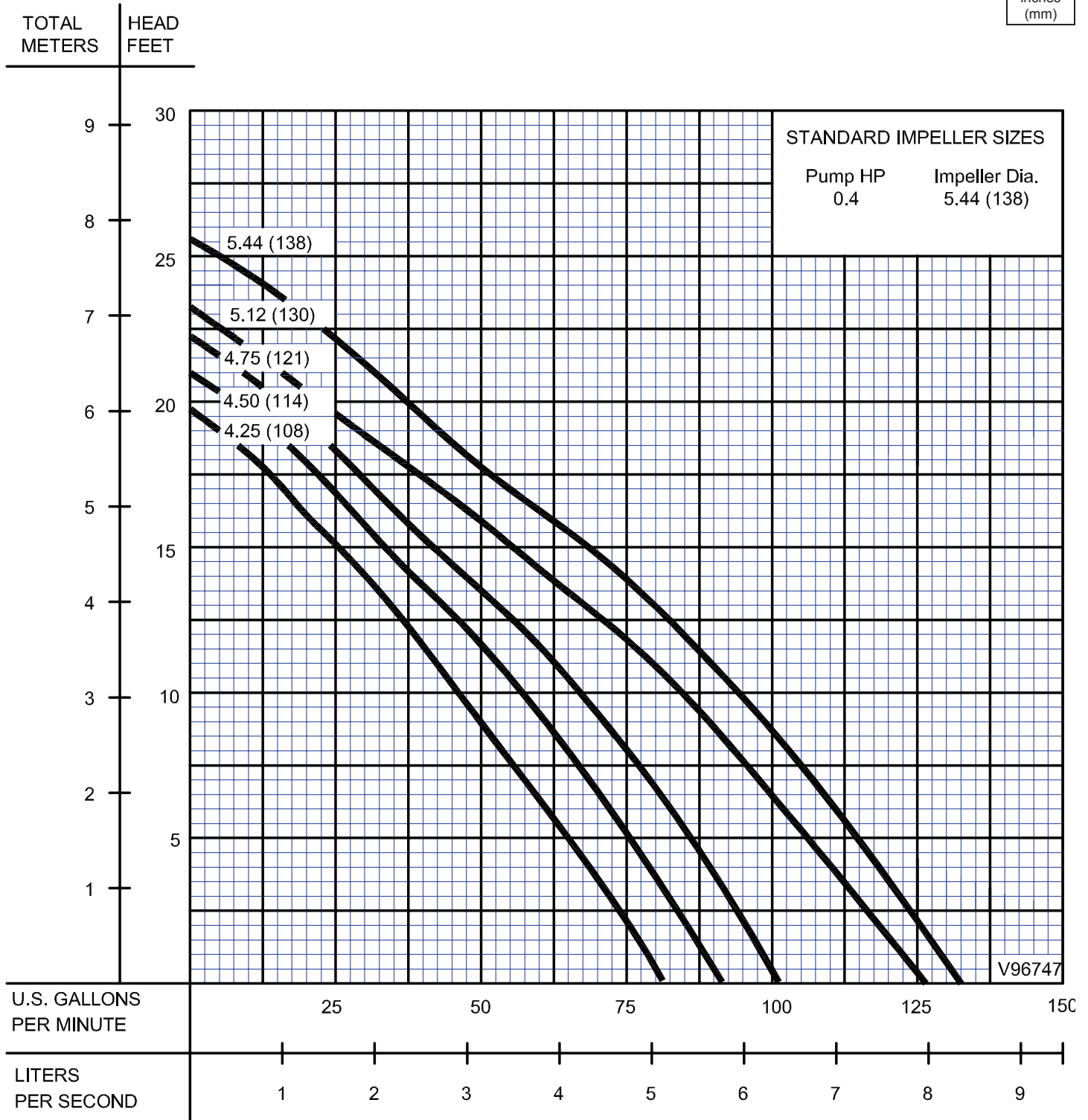
CRANE
A Crane Co. Company

PUMPS & SYSTEMS

USA: (937) 778-8947 • Canada: (905) 457-6223 • International: (937) 615-3598

Submersible Effluent Pumps

inches
(mm)



STANDARD IMPELLER SIZES

Pump HP 0.4
Impeller Dia. 5.44 (138)

V96747

Testing is performed with water, specific gravity 1.0 @ 68° F @ (20°C), other fluids may vary performance