
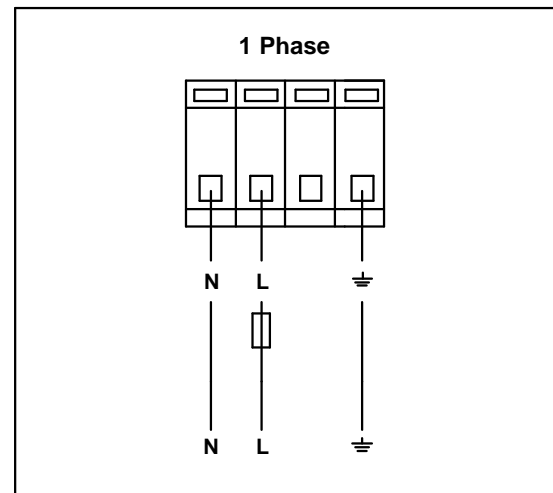
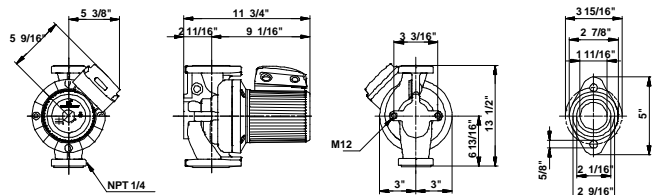
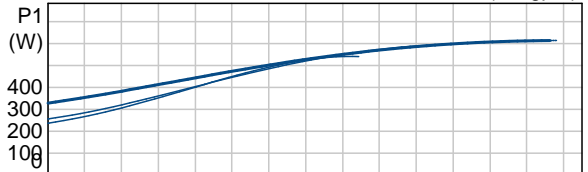
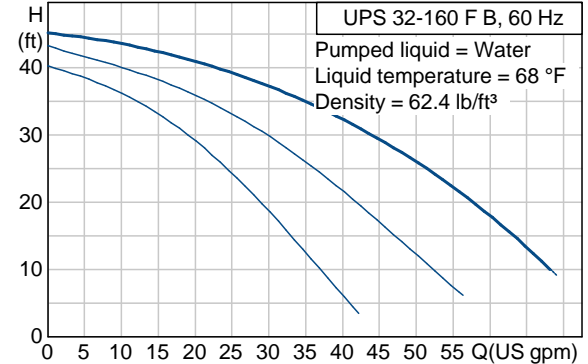




Position	Count	Description	Unit price
	-1	<p data-bbox="354 342 487 363"><b>UPS 32-160</b></p> <div data-bbox="354 369 732 703" style="border: 1px solid black; padding: 5px;">  </div> <p data-bbox="737 678 1230 699">Product photo could vary from the actual product</p> <p data-bbox="354 737 885 873">Product No.: 96402740                      The pump is of the canned rotor type, i.e. pump and motor form an integral unit without shaft seal and with only two gaskets for sealing. The bearings are lubricated by the pumped liquid.</p> <p data-bbox="354 909 868 989">In order to avoid problems in connection with disposal, great importance has been attached to using as few different materials as possible.</p> <p data-bbox="354 1024 706 1045"><b>The pump is characterized by:</b></p> <ul data-bbox="391 1052 841 1276" style="list-style-type: none"> <li>* 3-speed motor.</li> <li>* Ceramic radial bearings.</li> <li>* Carbon axial bearing.</li> <li>* Stainless steel rotor can, bearing plate and rotor cladding.</li> <li>* Aluminium alloy stator housing.</li> <li>* Bronze pump housing.</li> <li>* Stator with built-in thermal switch.</li> </ul> <p data-bbox="354 1312 678 1333">The motor is a 1-phase motor.</p> <p data-bbox="354 1369 852 1476">The pump is supplied with a standard module in the terminal box. The standard module is to be connected to the mains supply via external contactor.</p> <p data-bbox="354 1509 462 1530"><b>Controls:</b></p> <p data-bbox="354 1537 820 1558">Relay: with relay</p> <p data-bbox="354 1593 438 1614"><b>Liquid:</b></p> <p data-bbox="354 1621 841 1642">Liquid temperature range: 14 .. 248 °F</p> <p data-bbox="354 1648 776 1669">Liquid temp: 68 °F</p> <p data-bbox="354 1705 479 1726"><b>Technical:</b></p> <p data-bbox="354 1732 857 1753">Actual calculated flow: 32.9 US gpm</p> <p data-bbox="354 1759 787 1780">Resulting head of the pump: 36.1 ft</p> <p data-bbox="354 1787 795 1808">Maximum operating pressure: 145 psi</p> <p data-bbox="354 1814 763 1835">Approvals on nameplate: CUL</p>	On request

Position	Count	Description	Unit price
		<p><b>Materials:</b></p> <p>Pump housing: Bronze                      DIN W.-Nr. 2.1176.01</p> <p>Impeller: Stainless steel                      DIN W.-Nr. 1.4301                      AISI 304</p> <p><b>Installation:</b></p> <p>Range of ambient temperature: 32 .. 104 °F                      Maximum operating pressure: 145 psi                      Flange standard: USA Oval                      Type of connection: F                      Pipe connection: 32                      Pressure stage: 145 psi                      Port-to-port length: 13 1/2" mm</p> <p>Electrical data:</p> <p>Power input in speed 1: 555 W                      Power input in speed 2: 600 W                      Max. power input: 625 W                      Main frequency: 60 Hz                      Rated voltage: 1 x 230 V                      Current in speed 1: 2.75 A                      Current in speed 2: 2.9 A                      Current in speed 3: 2.9 A                      Cos phi in speed 1: 0,88                      Cos phi in speed 2: 0,9                      Cos phi: 0,94                      Capacitor size - run: 16 µF/400 V                      Enclosure class (IEC 34-5): X4D                      Insulation class (IEC 85): H</p> <p><b>Others:</b></p> <p>Net weight: 42.1 lb                      Gross weight: 49.6 lb                      Shipping volume: 2.08 ft³</p>	

Description	Value
Product name:	UPS 32-160 F B
Product Number:	96402740
EAN number:	5700390679675
<b>Technical:</b>	
Speed Number:	3
Actual calculated flow:	32.9 US gpm
Resulting head of the pump:	36.1 ft
Head max:	52.5 ft
Maximum operating pressure:	145 psi
Approvals on nameplate:	CUL
Model:	C
<b>Materials:</b>	
Pump housing:	Bronze DIN W.-Nr. 2.1176.01
Impeller:	Stainless steel DIN W.-Nr. 1.4301 AISI 304
<b>Installation:</b>	
Range of ambient temperature:	32 .. 104 °F
Maximum operating pressure:	145 psi
Flange standard:	USA Oval
Type of connection:	F
Pipe connection:	32
Pressure stage:	145 psi
Port-to-port length:	13 1/2" mm
<b>Liquid:</b>	
Liquid temperature range:	14 .. 248 °F
Liquid temp:	68 °F
<b>Electrical data:</b>	
Power input in speed 1:	555 W
Power input in speed 2:	600 W
Max. power input:	625 W
Main frequency:	60 Hz
Rated voltage:	1 x 230 V
Current in speed 1:	2.75 A
Current in speed 2:	2.9 A
Current in speed 3:	2.9 A
Cos phi in speed 1:	0,88
Cos phi in speed 2:	0,9
Cos phi:	0,94
Capacitor size - run:	16 µF/400 V
Enclosure class (IEC 34-5):	X4D
Insulation class (IEC 85):	H
Motor protection:	CONTACT
Thermal protec:	internal
R a:	8.3 - 10.8 ohm
R s1:	2.2 - 2.9 ohm
R s2:	5.05 - 6.65 ohm
<b>Controls:</b>	
Relay:	with relay
Pos term box:	1.30H
<b>Others:</b>	
Net weight:	42.1 lb
Gross weight:	49.6 lb

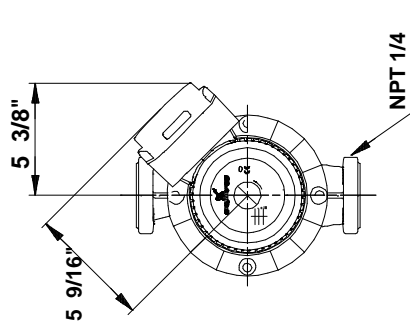
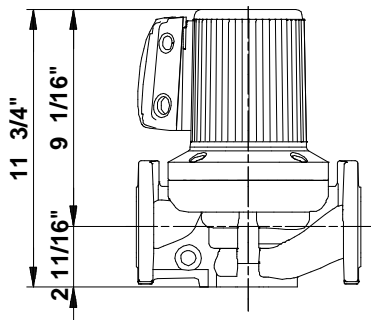
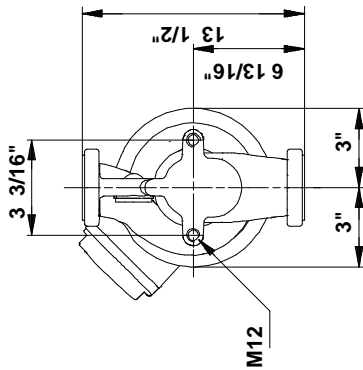
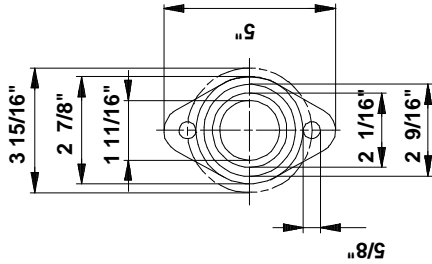




Company name: -  
Created by: -  
Phone: -  
Fax: -  
Date: -

Description	Value
Shipping volume:	2.08 ft <sup>3</sup>
Sales region:	Namreg

**96402740 UPS 32-160 F B 60 Hz**



Note! All units are in [mm] unless others are stated.  
 Disclaimer: This simplified dimensional drawing does not show all details.