



# Jet Pumps

**INSTALLATION, OPERATION AND TROUBLESHOOTING MANUAL**

## Table of Contents

<b>SUBJECT</b>	<b>PAGE</b>
Selecting the Correct Jet Pump System .....	3
Preparing for Installation .....	4
General Information - Piping.....	4
Shallow Well Installation .....	4
Deep Well Twin Pipe .....	5
Deep Well Packer System.....	5
Deep Well Discharge Piping.....	5
All Systems .....	6
Booster Systems.....	7
Seasonal Service .....	7
Recommended Deep Well Jet Assemblies and Control Valve Settings.....	8-9
Shallow Well Jet Assemblies For Convertible Pumps.....	9
Technical Data.....	10-11
Troubleshooting .....	12
Goulds Water Technology Limited Warranty .....	12

### SAFETY INSTRUCTIONS

**TO AVOID SERIOUS OR FATAL PERSONAL INJURY OR MAJOR PROPERTY DAMAGE, READ AND FOLLOW ALL SAFETY INSTRUCTIONS IN MANUAL AND ON PUMP.**

**THIS MANUAL IS INTENDED TO ASSIST IN THE INSTALLATION AND OPERATION OF THIS UNIT AND MUST BE KEPT WITH THE PUMP.**



This is a SAFETY ALERT SYMBOL. When you see this symbol on the pump or in the manual, look for one of the following signal words and be alert to the potential for personal injury or property damage.

**⚠ DANGER** Warns of hazards that **WILL** cause serious personal injury, death or major property damage.

**⚠ WARNING** Warns of hazards that **CAN** cause serious personal injury, death or major property damage.

**⚠ CAUTION** Warns of hazards that **CAN** cause personal injury or property damage.

**NOTICE: INDICATES SPECIAL INSTRUCTIONS WHICH ARE VERY IMPORTANT AND MUST BE FOLLOWED.**

**THOROUGHLY REVIEW ALL INSTRUCTIONS AND WARNINGS PRIOR TO PERFORMING ANY WORK ON THIS PUMP.**

**MAINTAIN ALL SAFETY DECALS.**

*Important notice: Read safety instructions before proceeding with any wiring*

**⚠ WARNING** All electrical work must be performed by a qualified technician. Always follow the National Electrical Code (NEC), or the Canadian Electrical Code, as well as all local, state and provincial codes. Code questions should be directed to your local electrical inspector. Failure to follow electrical codes and OSHA safety standards may result in personal injury or equipment damage. Failure to follow manufacturer's installation instructions may result in electrical shock, fire hazard, personal injury or death, damaged equipment, provide unsatisfactory performance, and may void manufacturer's warranty.

**⚠ WARNING** Standard units are not designed for use in hazardous liquids, or where flammable gases exist. Well must be vented per local codes. *See specific pump catalog bulletins or pump nameplate for all agency Listings.*

**⚠ WARNING** Disconnect and lockout electrical power before installing or servicing any electrical equipment. Many pumps are equipped with automatic thermal overload protection which may allow an overheated pump to restart unexpectedly.

**⚠ WARNING** Never over pressurize the tank, piping or system to a pressure higher than the tank's maximum pressure rating. This will damage the tank, voids the warranty and may create a serious hazard.

**⚠ WARNING** Protect tanks from excessive moisture and spray as it will cause the tank to rust and may create a hazard. See tank warning labels and IOM for more information.

## SELECTING THE CORRECT JET PUMP SYSTEM

It is important to determine which jet pump system you need. A jet pump is a centrifugal pump with a jet (ejector) assembly. Goulds Water Technology sells three types of jet pumps:

Shallow Well Jet Pumps with built-in jet assemblies for maximum lift of 25'. See Fig. 1

Convertible Jet Pumps can be used for Shallow wells (to 25'), with a bolt on shallow well adapter; or deep well (over 25') applications with a jet assembly in the well. See Fig. 1, 2 and 3.

Deep Well Jets should only be used on deep well (over 25') applications with the appropriate jet assembly. See Fig. 2 and 3

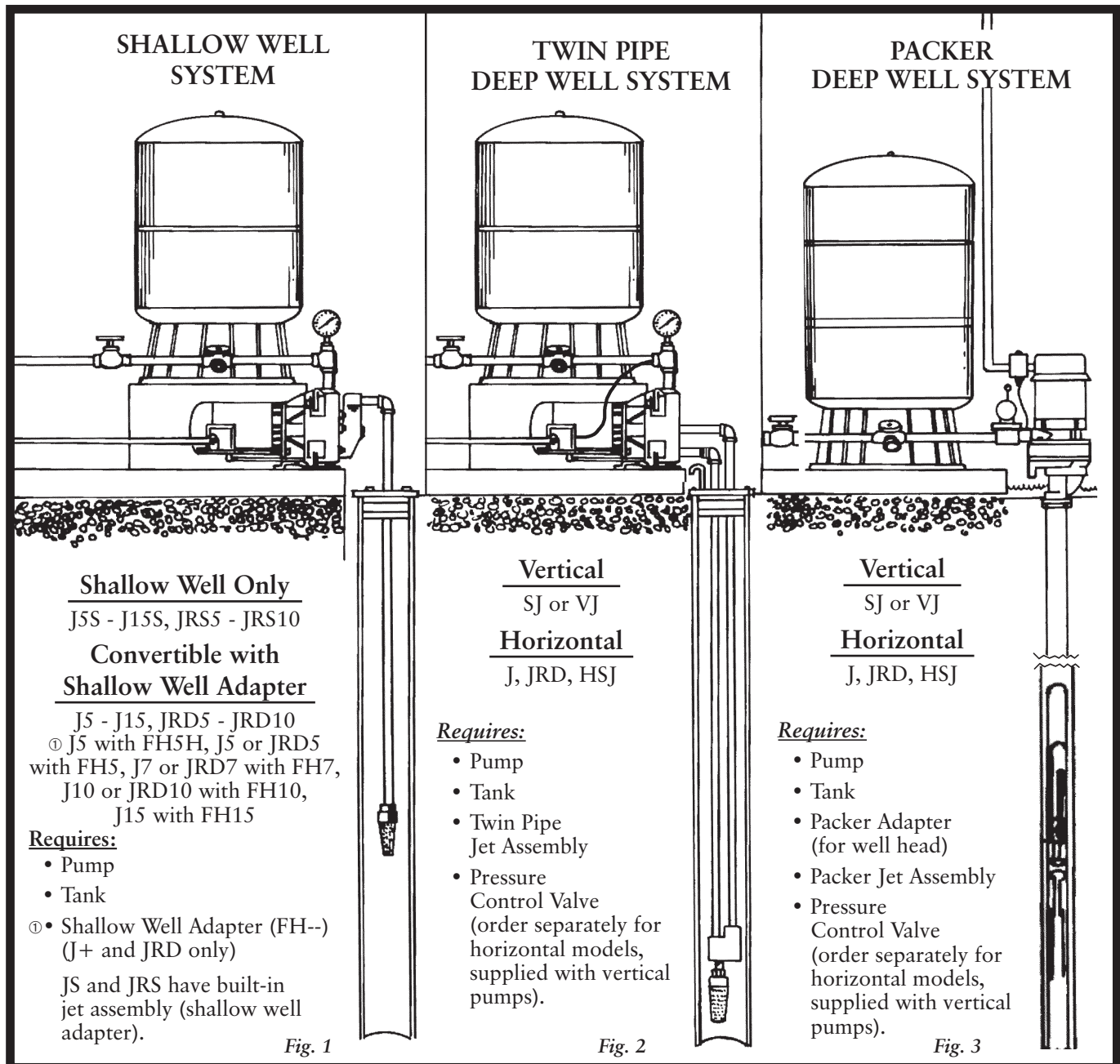
Use a shallow well pump or a convertible pump with a Shallow Well Adapter for wells with a maximum suction lift of 25'. This 25' includes actual vertical lift plus friction loss in the suction piping. Shallow well systems are identified by one (1) pipe going to the well, lake or river. They are good for city water booster systems and pumping from cisterns or tanks. See *Typical Installations, Figs. 1, 5 and 6.*

Deep well jet pumps are used for lifts greater than 25' and must have two pipes going to the well. There are two types of deep well jet assemblies, twin-pipe and packer systems. Deep well pumps come in both vertical and horizontal designs and in single and multi-stage models. See *Typical Installation Drawing, Fig. 2 and 3.*

Consult with your Professional Dealer or Distributor to select the best pump system for your application.

- Liquid temperature must not exceed 140° F (60°C).
- Protect unit from freezing

### Typical Goulds Water Technology Jet Pump Installations



## PREPARING FOR INSTALLATION

Inspect the pump and the motor assembly for shipping damage.

Insure that you have all of the parts required for a proper installation. See component lists for different system types. There are shallow well, convertible shallow well, convertible deep well – twin pipe, convertible deep well-packer, vertical deep well-twin pipe, vertical deep well-packer, and booster systems. See *Typical Installation Drawings and Chart 1*.

Check power supply voltage and select motor voltage. Goulds ½ hp Jet pumps are factory pre-wired for 115 volts while ¾ hp and larger are pre-wired for 230 volts. Motors from ½ hp to 1½ hp can operate on either 115 or 230 volts. The 2 hp motors operate only on 230 volts. See *Fig. 7*.

Select a site where the pump and tank will not freeze. The pump must be within 4' of the tank to prevent switch chatter. There should be no filters or valves, other than a wide open gate valve, between the pump and tank. Fluid temperature must not exceed 140° F (60°C).

## GENERAL INFORMATION - PIPING

Always follow state and local plumbing codes. Goulds Water Technology does not sell or specify pipe types or materials, consult with your pipe supplier to determine the best pipe for your installation. Pipes can be threaded, glued, soldered, or clamped to available fittings and adapters. If using poly pipe with barbed connectors we suggest you double clamp all fittings to prevent air leaks. It is very important to eliminate high spots and dips in suction piping as they will trap air and make the system very hard to prime. Never route the piping up above and then down to the pump suction. Suction piping should be either straight from the well to the pump or should slope upward to the pump. Pumps do not “hold” prime, piping systems and check valves do. Go to the specific section for your system type.

## SHALLOW WELL INSTALLATION - *start here*

### Suction Piping



The suction pipe should be at least as large as the pump suction, typically 1¼". Use of smaller pipe increases friction loss and increases effective suction lift. This will reduce flow and pressure. On offsets over 50' we recommend using pipe larger than the pump suction. This will reduce friction loss and improve performance.

Install a foot valve on the end of your drop pipe if the well is 2" or larger. Lower the drop pipe with foot valve into the well. It is best to keep it at least 5' off the bottom of a clean well. If you set it lower you increase the chance of pulling debris into the screen or into the pump.

On sand points or driven wells you can install an in-line check valve near the well head or at the pump and use the well casing as the suction pipe. The closer the check valve is to the well the easier the system will prime.

To prevent over pumping a low yield well you can throttle a jet pump using a ball valve in the suction line. You should install a compound pressure/vacuum gauge between the well and the valve. Do not throttle to more than 22" Hg (25' lift).

In areas where freezing occurs make the transition from vertical to horizontal below the frost line using a pitless adapter, consult with your plumbing supplier for pitless adapter information. In some areas they use a well seal and a 90° elbow.

We recommend not using filters on the suction side of a jet pump. Dirty filters increase the effective suction lift on the pump and can starve the pump of water. This will damage the impeller and diffuser which will affect performance.

Install Shallow Well Adapter On Convertible Pump Unpack the Goulds Water Technology “Shallow Well Adapter”. Insure that the nozzle is installed in the adapter. Screw the venturi (long black tube) into the adapter. Install the gasket and bolt the adapter to the front of the pump using the four bolts provided. Tighten the bolts evenly to insure proper sealing and alignment of the venturi to the impeller. Do not over tighten the bolts. See *Chart 2*.

Shallow Well Pump – jet is built-in, proceed to next step.



### Attach Suction Piping To Pump

Install a barbed adapter into the 1¼" pump suction if using poly pipe and double clamp the fitting.

OR

Thread a pipe nipple and union into the suction port to make a threaded pipe connection. Make sure the union is clean and well seated. Any air leak will ruin performance and the pump will not make pressure!

### Discharge Piping

Install a tee or cross tee in the pump discharge. (They are not supplied with the pump!) Install a pipe plug or a pressure gauge into a reducer bushing in the top port of the tee. This will be used as the priming port.

**Cross Tee** - the discharge line to the home attaches to one port and the tank attaches to the other. This is called an Off-Line Tank installation.

**Tee** - you can use one line to supply the house with the tank tee installed off the line. This is called an On-Line Tank Installation and is most common.

**Note:** Goulds Water Technology HydroPro Water System tanks are shipped with a tank installation guide. Please refer to it for more detailed tank instructions.

Do not place valves or filters between the pump and tank, other than a fully open gate valve or “full port” ball valve. The most common ball valves are not full port! Most valves and filters will create excessive friction loss and cause “switch chatter”. Switch chatter is a rapid On-Off cycling of not only the pressure switch but also the motor. It will burn the points in the switch, the motor points, and cause motor damage if not corrected. If for

any reason you must have fittings or filters between the pump and tank and they cause switch chatter you should move the pressure switch to the tank cross tee. Go To “Install HydroPro Water Systems Tank” to Complete Shallow Well Installation.

## DEEP WELL TWIN PIPE – *start here*

### Twin Pipe Suction Piping

A twin pipe jet assembly is used in wells 4" and larger. Our 4" jet assemblies require a minimum 1¼" suction and 1" drive water pipe; 5" jets require a minimum 1½" suction and 1¼" drive water pipe. Use of smaller piping will reduce performance in gpm and pressure. Offsets over 50' require larger pipes to reduce friction loss and to obtain published performance.

### Install Twin Pipe Jet Assembly



Check to make sure the nozzle is installed in the jet assembly. Install the venturi tube in line with the nozzle. On 4" jets attach the 1¼" suction and 1" pressure pipe to the jet assembly female threads. On 5" jets the pipes should be 1½" and 1¼". Install a foot valve on the male thread bottom port on the jet assembly or on the end of a 34' tail pipe. The tail pipe prevents over pumping a low yield well so the pump will not break suction. *See Tail Pipe in Technical Section.*

Lower the jet assembly into the well. It should be set at least 5' below the static water level. Keep the jet a few feet off the well bottom to lessen the possibility of sucking debris into the jet. The connections at the well head can be either a pitless adapter or a well seal. Priming will be easier if you fill the pipes with water before attaching the pump.

Connect the suction and pressure pipes to the threaded connections on the face of the pump. This can be done using unions and threaded pipe nipples, or barbed connectors with poly pipe. Always double clamp barbed connectors. Make sure that the piping slopes upward to the pump and that no point is above the pump suction. On long offsets it is easier to prime the system if you fill the pipes with water before connecting the pipes to the pump. *Go to Deep Well Discharge Piping.*

## DEEP WELL PACKER SYSTEM – *start here*

### Packer Suction Piping



Packers use the area between the well casing and the suction pipe as the drive water (pressure) pipe. The 2" or 3" well casing must be smooth and clean to insure a good seal with the packer leathers or the system will leak and not hold prime. The 2" packer requires 1¼" threaded suction pipe and the 3" requires 1½". On 2" packers only: Use the Goulds Water Technology turned couplings part #64655 to connect the sections of 1¼" threaded pipe. This special diameter turned coupling increases the clearance between the 2" well I.D. and the O.D. of the coupling to allow the drive (pressure) water to easily pass the couplings. Failure to use them will have a negative impact on pump performance, both pressure and gpm will decrease. The pump may easily lose prime while pumping due to the restriction!

Using smaller than recommended pipe may reduce gpm output. The longer the pipe the worse the affect.

### Install Packer Assembly

To ease installation soak the 2" or 3" packer assembly in warm water to make the leathers soft and pliable. DO NOT lubricate them with grease, oil, or petroleum jelly! The leathers must absorb water to seal the packer assembly against the well casing.

Check to make sure the nozzle is installed in the jet assembly. Install the venturi tube in line with the nozzle. Install a strainer (not supplied with packer assembly) on the bottom port of the packer assembly or on the end of a 34' tail pipe. The tail pipe prevents over pumping a low yield well so the pump will not break suction. Attach the packer assembly to the suction pipes using the Goulds Water Technology' turned couplings to connect the sections. Insert the packer assembly into the well casing and push it down. Attach the other pipe sections as you lower the jet into the well. *See Tail Pipe in Technical Section.*

### Attach Suction Pipe To Packer Adapter

Packer systems always require a Packer Adapter at the well head. The adapter makes the transition from vertical to horizontal for horizontal pumps, and it connects vertical pump casings to the well casing and suction pipe. See the list of Packer Adapters/Pump Models to see which one your pump system requires. *See Chart 1 for a list of Packer Adapters/Pump Models.*

After the jet assembly is inserted into the well, attach the Packer Adapter to the top of the suction pipe. Screw the top section of 1¼" male threaded suction pipe or a threaded adapter into the 1¼" NPT female threaded hole in the 2" packer adapter or a 1½" suction pipe into the 3" packer adapter.

Make sure that the O.D. of the well casing is free of dirt and burrs. With the gland bolts loosened the tapered seal ring on the packer adapter should slide over the well casing. After insuring that it is in place tighten the two gland nuts to compress the seal ring and seal it to the well casing O.D.

Install the pump by attaching it to the Packer Adapter using the bolts and gaskets provided. Vertical models use studs and nuts for ease of assembly.

## DEEP WELL DISCHARGE PIPING



All deep well jet pumps require back pressure to operate the jet assembly. To insure we have the required back pressure or drive water pressure we must use a pressure control valve or some type of flow restrictor in the discharge line. The valve must be located between the pump and the first discharge port. It is best to locate it as close to the pump as possible. Failure to install and adjust a pressure control valve will result in loss of prime during peak usage such as filling a washing machine, bathtub or using outside hose bibs.

All ½ hp pumps can use a simple gas cock or full port ball valve, such as our AV15.

All other horizontal deep well jet pumps,  $\frac{3}{4}$  hp and larger, should use an AV22KIT, or an AV22 and a JDW tubing kit. The AV22 has a tapping to which you connect the new, longer pressure switch tubing. This allows the pressure switch to read the pressure on the outboard side of the valve rather than in the pump casing. Remove the straight or elbow compression fitting from the pump casing. Use the pipe plug in the JDW or AV22KIT to plug the hole in the pump casing. Remove the fitting from the pressure switch. Cut the old tubing in half and slide the compression fittings off the old tubing. Note that the fitting will only slide in one direction. You can now reuse the elbow compression fitting with the new tubing at the pressure switch. Screw the new straight connector into the AV22 and attach the tubing from the switch to the AV22.

Vertical deep well pumps come with a built-in AV21 and only need to be adjusted.

After the pump is primed and flowing water at a steady pressure you should open a few faucets and adjust the pressure control valve to the pressure listed in the chart. To increase pressure close the valve, AV15 or AV22, or turn the AV21 screw clockwise. See Chart 1.

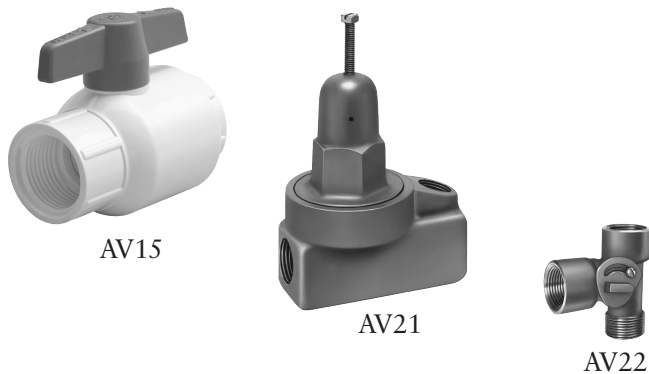


Fig. 4

## ALL SYSTEMS

### Install HydroPro Water Systems Tank



While the tank is empty check the pre-charge air pressure with a tire pressure gauge. The tank pre-charge should be set 2 psi lower than the pump cut-in (turn on) pressure. On Goulds Water Technology HydroPro Water Systems tanks the valve cap is the primary seal so be sure to re-install the cap after checking air pressure. Avoid frequent air checking as you lose 1 – 2 psi every time you check. Goulds Water Technology jet pumps are all supplied with 30 – 50 psi standard pressure switch settings.

Locate the tank on a firm, level surface.

A pressure relief valve is recommended for all systems, and mandatory for systems producing over 100 psi. It should be rated less than 100 psi but greater than the system pressure near the tank.

Make the piping connection between the pump discharge and the tank. Complete the piping by connecting to the house plumbing.

**Note:** Goulds Water Technology only sells the HydroPro Water System tanks. They are all shipped with a tank

installation guide in the carton, please refer to it for more detailed tank instructions. If you are using a tank from another manufacturer please contact that company for specific instructions on their tank.

Galvanized tanks are installed the same as pre-charged tanks except they require an Air Volume Control (AVC) to replenish air lost through absorption. The AVC requires connection to a vacuum port on the pump. The suction side of the AVC must have a minimum 3" vacuum for 15 seconds when the pump starts. Follow the instructions provided with the air volume control.

### Priming a Shallow Well System

Priming means filling the pump and suction pipe with water. Most shallow well jet pumps handle air well and will evacuate air from the suction line but it may take several minutes to prime depending on depth to water, and pipe size and length.

#### *VENT THE PUMP FOR EASIER PRIMING!*

It is easier to prime a pump if you allow all the air to escape from the pump and the pipes, the water cannot go in unless the air can escape!

Remove the pipe plug or pressure gauge bushing in the discharge tee to fill the pump with water. On shallow well pumps you should remove the  $\frac{1}{8}$ " pipe plug located between the suction and discharge ports to allow air to escape as you fill the casing with water. The port will be located on either the top of the casing or the top of the shallow well adapter. Fill the pump and as much of the suction pipe as possible with water through the discharge port.

Replace the  $\frac{1}{8}$ " pipe plug and discharge gauge/bushing. Open the faucet closest to the pump/tank a small amount to allow air to escape the system. Do not open it too much or the pump will expel too much water and you will have to reprime the pump casing. On jobs with long suction pipes you may have to add water to the pump casing several times to complete the priming process. *Go to Power Motor.*

### Priming a Deep Well System

Priming a deep well system means filling the pump and the suction/pressure pipes with water. Deep well single stage and multi-stage pumps require a complete prime before starting. Filling the pipes with water before installing the pump will make priming faster and easier.

#### *VENT THE PUMP FOR EASIER PRIMING!*

To insure a complete prime we recommend removing the angled  $\frac{1}{8}$ " vent plug located just above the suction pipe on horizontal pumps. This will allow the air to easily escape as water enters. Our horizontal convertible deep well jets should be primed through a tee or the AV22 at the pump discharge. The tee is not supplied by Goulds Water Technology.

Our vertical deep well jet pumps have built-in pressure control valves. Priming is done through the pressure gauge port on the pressure control valve. Most verticals have a vent plug located on the side of the motor adapter that vents the seal cavity which is the high point inside the pump. Removing this vent plug will make priming much easier.

## Power the Motor



The electrical supply must be a separate branch circuit with a properly sized breaker or fuses. All wiring must conform to National (NEC), CSA, state, provincial, and local codes. Power supply voltage, phase and controls must match motor.

**NEVER RUN A PUMP DRY, DAMAGE WILL RESULT, AND THE WARRANTY WILL BE VOIDED!**



**ALWAYS DISCONNECT AND LOCK-OUT ALL ELECTRICAL POWER WHEN INSTALLING OR WORKING ON PUMPS, MOTORS, OR SWITCHES. INSURE THE POWER SUPPLY BREAKER IS OFF OR THE DISCONNECT (WHERE USED) IS OFF.**

Remove the pressure switch cover. Attach the power supply wires, either 115 or 230 depending on the motor voltage, to the Line terminals of the pressure switch.

## BOOSTER SYSTEMS

Use the basic instructions for either a Shallow Well or Convertible with Shallow Well Adapter. If a city water booster system please plumb per Fig. 5

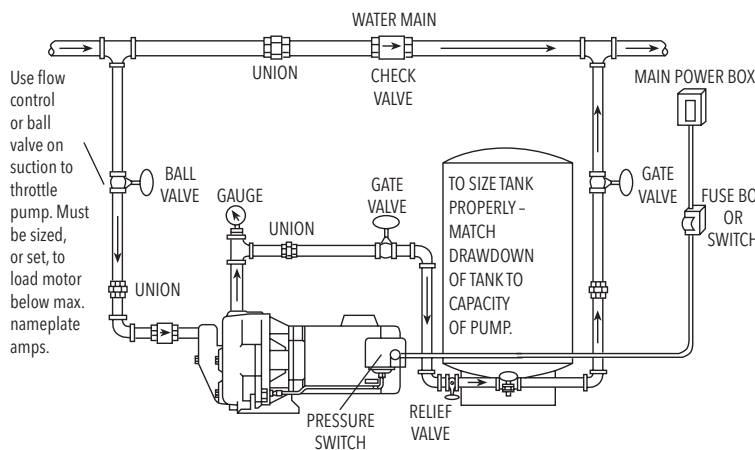


Fig. 5

If pumping from a cistern or water tank plumb per Fig. 6.

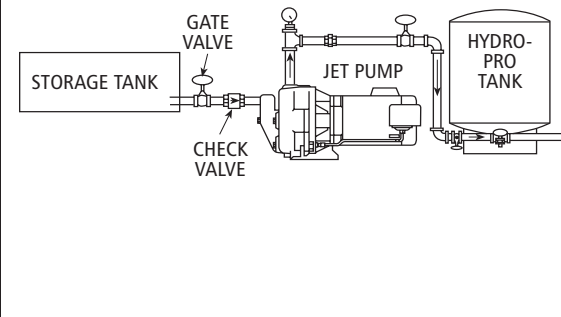


Fig. 6

## SEASONAL SERVICE

It is necessary to drain the entire system where the pump, tank, and piping will be subjected to freezing. Vertical pumps have a drain plug located on the side of the pump casing near the bottom of the pump. Horizontal pumps may have two drain plugs, one on the casing (part where pipes attach) and another on the motor adapter. They are also located near the bottom of the pump. Multi-stage pumps also have 1 or 2 drain plugs and they may require you to tip the pump or blow compressed air in one hole to get all the water out of the stages.

# CHART 1

## RECOMMENDED DEEP WELL JET ASSEMBLIES AND CONTROL VALVE SETTINGS

PUMP MODEL	TWIN PIPE SYSTEMS (see fig. 2)				PACKER SYSTEMS (see fig. 3)					RECOMMENDED CONTROL VALVE (see fig. 4)
	JET ASSEMBLY	MIN. WELL DIAMETER	CONTROL VALVE SETTING (PSI)	DEPTH TO JET	JET ASSEMBLY	WELL DIAMETER	CONTROL VALVE SETTING (PSI)	DEPTH TO JET	PACKER ADAPTER	
<b>J5</b>	FT4-13	4"	30	30-40	FP2-13	2"	30	30-40	AWJ2	AV15 or AV22KIT
	FT4-31	4"	30	30-60	FP2-31	2"	30	30-60		
	FT4-08	4"	30	60-90	FP2-08	2"	30	60-80		
	FT5-14	4½"	30	50-90	FP3-36	3"	30	30-70	AWCJ3	
	–	–	–	–	FP3-24	3"	30	50-80		
<b>J7</b>	FT4-14	4"	28	30-60	FP2-40	2"	30	30-60	AWJ2	AV22KIT or AV22 and JDW
	FT4-34	4"	29	70-90	FP2-47	2"	32	60-90		
	FT4-18	4"	30	90-110	–	–	–	–	–	
	FT5-47	4½"	28	30-70	FP3-53	3"	27	30-70	AWCJ3	
	FT5-48	4½"	40	70-110	FP3-54	3"	30	70-110		
<b>J10</b>	FT4-44	4"	31	30-60	FP2-48	2"	35	30-60	AWJ2	AV22KIT AV22 and JDW
	FT4-43	4"	33	60-80	FP2-43	2"	36	60-100		
	FT4-18	4"	35	80-110	–	–	–	–	–	
	FT5-49	4½"	30	30-80	FP3-55	3"	28	30-80	AWCJ3	
	FT5-11	4½"	32	80-120	FP3-14	3"	32	80-120		
<b>J15</b>	FT5-12	4½"	35	30-70	FP3-16	3"	34	30-60	AWCJ3	AV22KIT AV22 and JDW
	FT5-11	4½"	40	70-140	FP3-18	3"	34	60-90		
	–	–	–	–	FP3-21	3"	34	90-150		
	–	–	–	–	FP3-24	3"	39	100-170		
<b>SJ07 &amp; HSJ07</b>	FT4-48	4"	37	30-70	FP2-51	2"	40	30-70	AWD2	SJ - AV21 is built-in HSJ - use AV22KIT
	FT4-47	4"	40	70-90	FP2-50			70-90		
	FT4-06	4"		90-130	FP2-06			90-130		
					FP3-40	3"	36	30-80	AWD3	
				FP3-42	80-130					
<b>SJ10 &amp; HSJ10</b>	FT4-47	4"	40	30-70	FP2-50	2"	45	30-60	AWD2	
	FT4-24	4"	43	70-110	FP2-07			60-110		
	FT4-08	4"		110-150	FP2-08			110-150		
					FP3-40	3"	40	30-90	AWD3	
				FP3-49	43			90-150		
<b>SJ15 &amp; HSJ15</b>	FT4-45	4"	62	30-90	FP2-49	2"	62	30-90	AWD2	
	FT4-30	4"	65	90-130	FP2-30			90-130		
	FT4-29	4"	67	130-190	FP2-29			130-180		
					FP3-47	3"	64	30-100	AWD3	
					FP3-46			100-150		
					FP3-34			66		150-210
<b>SJ20 &amp; HSJ20</b>	FT4-45	4"	76	30-100	FP2-49	2"	76	30-100	AWD2	
	FT4-30	4"	78	100-150	FP2-30			100-150		
	FT4-29	4"	80	150-200	FP2-29			150-200		
					FP3-47	3"	75	30-110	AWD3	
					FP3-46			78		110-170
					FP3-34			80		170-230

**NOTE:** Offset adapters are available. See "Fittings" section of your Goulds Water Technology Jet and Sub Catalog or consult your local distributor for information.



# CHART 1 *(continued)*

## RECOMMENDED DEEP WELL JET ASSEMBLIES AND CONTROL VALVE SETTINGS

PUMP MODEL	TWIN PIPE SYSTEMS <i>(see fig. 2)</i>				PACKER SYSTEMS <i>(see fig. 3)</i>					RECOMMENDED CONTROL VALVE <i>(see fig. 4)</i>	
	JET ASSEMBLY	MIN. WELL DIAMETER	CONTROL VALVE SETTING (PSI)	DEPTH TO JET	JET ASSEMBLY	WELL DIAMETER	CONTROL VALVE SETTING (PSI)	DEPTH TO JET	PACKER ADAPTER		
JRD5	FT3-09	3"	30	30-50	FP2-13	2"	30	30-50	AWJ2	AV15 or AV22KIT	
	FT4-13	4"	30	30-50							
	FT4-31	4"	30	30-70	FP2-31	2"	30	30-60			
	FT4-08	4"	30	60-90	FP2-08	2"	30	60-80			
	FT5-14	4½"	30	70-90							
JRD7	FT4-14	4"	27	30-60	FP2-40	2"	30	30-60	AWJ2	AV22KIT AV22 and JDW	
	FT4-34	4"	29	60-90	FP2-47	2"	32	60-90			
	FT4-18	4"	30	90-110							
	FT5-47	4½"	27	30-70	NA						
	FT5-48	4½"	30	70-110	NA						
JRD10	FT4-44	4"	31	30-60	FP2-48	2"	35	30-60	AWJ2	AV22KIT AV22 and JDW	
	FT4-43	4"	33	60-80	FP2-43	2"	36	60-100			
	FT4-18	4"	35	80-110							
	FT5-49	4½"	28	30-80	NA						
	FT5-11	4½"	32	80-120	NA						
VJ05	FT4-46	4"	23	30-60	FP2-38	2"	23	30-60	AWD2	AV21 is built-in	
	FT4-08	4"		60-90	FP2-08			60-90			
			30-60	FP3-42	3"	30-60		AWD3			
			60-100	FP3-09		60-100					
VJ07	FT4-47	4"	34	30-60	FP2-50	2"	34	30-60	AWD2		
	FT4-46	4"		60-90	FP2-47			60-100			
	FT4-06	4"	40	90-110	FP2-09			100-120			
					FP3-40			30-60	AWD3		
					FP3-43			60-130			
VJ10	FT4-14	4"	34	30-90	FP2-48	2"	36	30-60	AWD2		
	FT4-09	4"	36	90-120	FP2-43			60-100			
					FP2-08			100-120			
					FP3-40			30-90	AWD3		
					FP3-49			90-140			

**NOTE:** Offset adapters are available. See "Fittings" section of your Goulds Water Technology Jet and Sub Catalog or consult your local distributor for information.

# CHART 2

## SHALLOW WELL JET ASSEMBLIES FOR CONVERTIBLE PUMPS

PUMP MODEL	SHALLOW WELL ASSEMBLY ORDER NO.	INCLUDES	
		NOZZLE	VENTURI
J5	FH5 (std.)	AN017	AD3731
J5	FH5H (high pres.)	AN019	AD3528
JRD5	FH5JRD	AN018	AD3731
J7, JRD7	FH7	AN018	AD3536
J10, JRD10	FH10	AN018	AD3538
J15	FH15	AN022	AD3542
HSJ07N	FHSJ07	AN012	AD3432
HSJ10N	FHSJ10	AN012	AD3437
HSJ15N	FHSJ15	AN012	AD3439
HSJ20N	FHSJ20	AN012	AD3448

## TECHNICAL DATA

**WARNING: DISCONNECT POWER SOURCE BEFORE CHECKING. DO NOT MAKE ANY CHANGES WITH POWER ON.**

**VOLTAGE CHANGES ARE MADE INSIDE THE MOTOR COVER, NOT IN THE PRESSURE SWITCH.**

### VOLTAGE CHANGE PROCEDURE AND TERMINAL BOARD DESIGN

A.O. Smith jet pump motors have a voltage plug to facilitate simple voltage changes from 115V to 230V. All ½ HP motors are factory wired for 115V operation. If wired for 115V, operation at 230V will destroy the windings in a matter of seconds and will not be covered by warranty. Larger HP motors are factory wired at 230V.

#### Terminal Board Design:

- L1 has two (2) male terminals, one switch wire is attached to one terminal.
- L2 has two (2) male terminals, one switch wire is attached to one terminal and when set up for 115V operation the voltage plug is connected to the other.
- “A” has 1 male terminal, the voltage plug is always connected to “A”.

#### Voltage Change: *failure to follow these instructions may damage the windings*

- 115V - Place the Black voltage plug on the open L2 male terminal and the “A” terminal.
- 230V - Place the Black voltage plug only on the “A” male terminal. The 2nd L2 male terminal will be open.

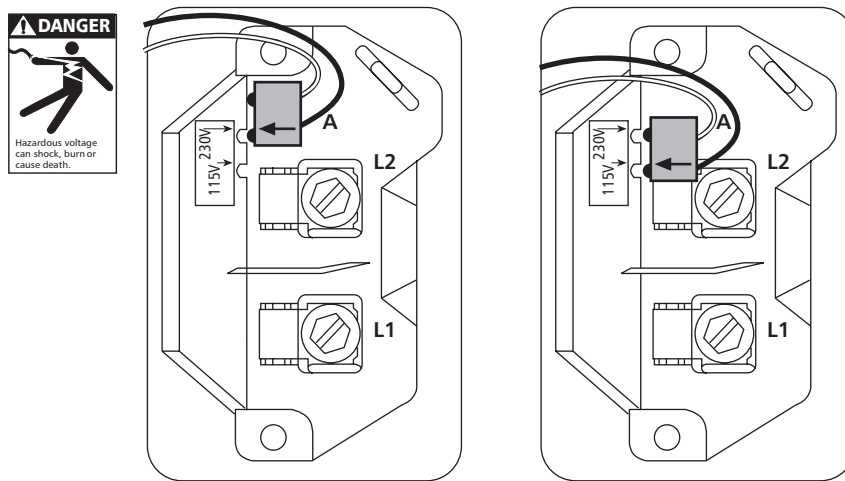


Fig. 7

### A.O. SMITH / CENTURY MOTOR TERMINAL BOARD AND VOLTAGE CHANGE PLUG



#### ■ Pumps are Pre-Wired by HP:

- ½ hp wired for 115 volts
- ¾ hp - 1½ hp and larger wired for 230 volts
- 2 hp is 230 volt only

### A.O. SMITH / CENTURY MOTOR DATA

GWT Number	Where Used	A.O. Smith Number	HP	Volts	Phase	Service Factor	Max. Load Amps	Watts	Circuit Breaker
J04853L	J5(S), GB	C48A93A06	½	115/230	1	1.6	10.8/5.4	968	25/15
J05853L	J7(S), GB, GT07, (H)SJ07, HSC07	C48A94A06	¾	115/230	1	1.5	14.8/7.4	1336	30/15
J06853L	J10(S), GB, GT10, (H)SJ10, HSC10	C48A95A06	1	115/230	1	1.4	16.2/8.1	1592	30/20
J07858L	J15(S), GB, GT15, HSJ15, HSC15	C48C53A06	1½	115/230	1	1.3	22.0/11.0	1950	40/20
① J08854L	HSJ20, GB, GT20, HSC20	K48A34A06	2	230	1	1.4	12.9	2100	25
J09853	XSH30, GT30	7-196427-20	3	230	1	1.15	13.3	3280	30
SFJ04860	JRS5, JRD5, JB05	C48C04A06	½	115/230	1	1.6	12.6/6.3	990	25/15
SFJ05860	JRS7, JRD7, JB07	C48C05A06	¾	115/230	1	1.5	14.8/7.4	1200	30/15
SFJ06860	JRS10, JRD10, JB10	C48C06A06	1	115/230	1	1.4	16.2/8.1	1400	30/20

① Effective July, 1998, 230 V only.

### USE OF TAILPIPE ON DEEP WELL JET PUMPS

If the capacity of a deep well jet pump exceeds the well production, well drawdown will allow your pump to break suction and lose prime. This can be overcome by using a 34' tailpipe between the jet assembly and the foot valve. Since the capacity of a pump falls off as the lift is increased your well inflow and pump output will equalize somewhere between the jet and foot valve. The drawing shows the percentage of rated capacity you will get at certain points. As in a normal situation the jet should be set 5' below the static water level.

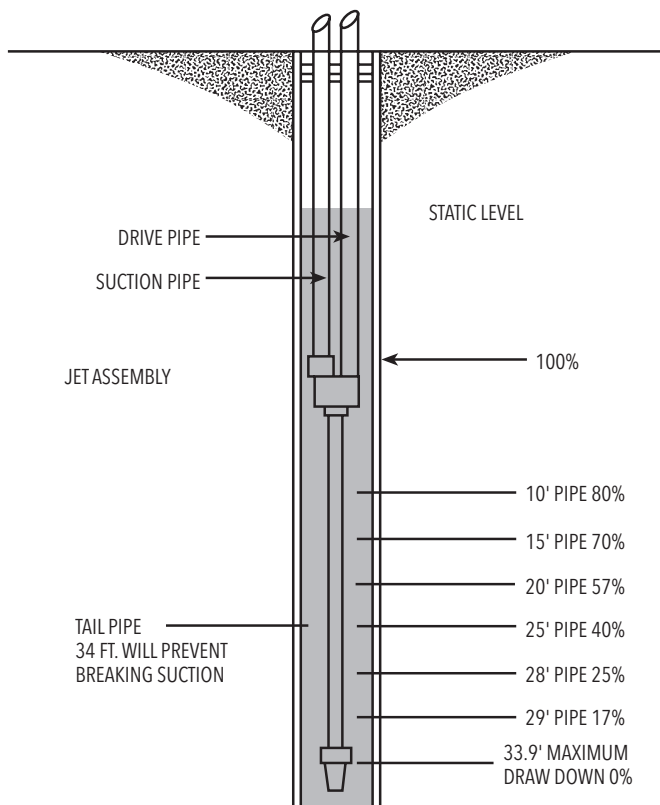


Fig. 8

### CHECKING SUCTION LIFT ON A SHALLOW WELL

A vacuum gauge indicates Total Suction Lift (vertical lift + friction loss) in inches of mercury (Hg.). One inch (1") on the gauge = 1.13 feet of total suction lift (based on a pump at sea level). Practical suction lift at sea level is 25' or 22" Hg. Deduct 1 ft. for each 1000 ft. above sea level.

Install the compound vacuum/pressure gauge in the 1/8" hole in the shallow well adapter or the 1/8" hole between the suction and discharge pipes on a dedicated shallow well pump. This is the same hole that is used to connect an air volume control.

Interpreting the gauge readings:

#### High Vacuum (22" or more)

- Suction pipe buried in mud
- Foot valve or check valve stuck closed
- Suction lift exceeds lift capability of pump

#### Low Vacuum or 0 vacuum

- Suction pipe not submerged
- Suction leak (check joints and especially unions)

#### Gauge needle fluctuates rapidly

- Gaseous well
- Air leak in suction line
- Well producing less than pump capacity (throttle a ball valve in suction line do not exceed 22" Hg.) to reduce pump capacity

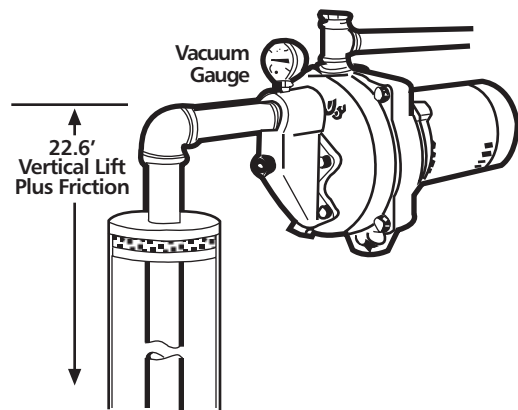


Fig. 9

A reading of 20" on a vacuum gauge placed on the suction side of the pump would tell you that you have a vacuum or suction lift of 22.6 ft.

$$20" \times 1.13' = 22.6 \text{ ft.}$$

## TROUBLESHOOTING



**FAILURE TO DISCONNECT AND LOCKOUT ELECTRICAL POWER BEFORE ATTEMPTING ANY MAINTENANCE CAN CAUSE SHOCK, BURNS OR DEATH.**

### SYMPTOM

#### MOTOR NOT RUNNING

See Probable Cause – 1 through 5

#### LITTLE OR NO LIQUID DELIVERED BY PUMP

See Probable Cause – 6 through 11

#### PUMP DELIVERS WATER – WILL NOT SHUT OFF

See Probable Cause – 9 through 13

#### PUMP CYCLES EXCESSIVELY

See Probable Cause – 14 through 17

### PROBABLE CAUSE

1. Motor thermal protector tripped
2. Open circuit breaker or blown fuse
3. Impeller binding
4. Wiring incorrect/check motor voltage setting
5. Defective motor
6. Pump not primed, inadequate suction pipe submergence, air leak in suction pipe
7. Discharge or suction plugged, closed valve(s)
8. Low voltage causing reduced motor speed
9. Impeller worn or plugged, no jet assembly installed, or jet plugged
10. System head too high
11. Suction lift or suction losses excessive
12. Pressure switch plugged, incorrectly adjusted
13. Leaks in discharge piping or at house
14. Defective suction check or foot valve
15. Water logged pressure tank
16. Pump farther than 5 feet from tank
17. High friction loss valves between pump and tank. (Use only fully open gate valves)

### GOULDS WATER TECHNOLOGY LIMITED WARRANTY

This warranty applies to all water systems pumps manufactured by Goulds Water Technology.

Any part or parts found to be defective within the warranty period shall be replaced at no charge to the dealer during the warranty period. The warranty period shall exist for a period of twelve (12) months from date of installation or eighteen (18) months from date of manufacture, whichever period is shorter.

A dealer who believes that a warranty claim exists must contact the authorized Goulds Water Technology distributor from whom the pump was purchased and furnish complete details regarding the claim. The distributor is authorized to adjust any warranty claims utilizing the Goulds Water Technology Customer Service Department.

#### The warranty excludes:

- (a) Labor, transportation and related costs incurred by the dealer;
- (b) Reinstallation costs of repaired equipment;
- (c) Reinstallation costs of replacement equipment;
- (d) Consequential damages of any kind; and,
- (e) Reimbursement for loss caused by interruption of service.

#### For purposes of this warranty, the following terms have these definitions:

- (1) "Distributor" means any individual, partnership, corporation, association, or other legal relationship that stands between Goulds Water Technology and the dealer in purchases, consignments or contracts for sale of the subject pumps.
- (2) "Dealer" means any individual, partnership, corporation, association, or other legal relationship which engages in the business of selling or leasing pumps to customers.
- (3) "Customer" means any entity who buys or leases the subject pumps from a dealer. The "customer" may mean an individual, partnership, corporation, limited liability company, association or other legal entity which may engage in any type of business.

**THIS WARRANTY EXTENDS TO THE DEALER ONLY.**



Xylem Inc.  
2881 East Bayard Street Ext., Suite A  
Seneca Falls, NY 13148  
Phone: (866) 325-4210  
Fax: (888) 322-5877  
[www.gouldswatertechnology.com](http://www.gouldswatertechnology.com)

Goulds is a registered trademark of Goulds Pumps, Inc. and is used under license.  
© 2012 Xylem Inc. IM102 Revision Number 5 May 2013



# Bombas de Inyección

MANUAL DE INSTALACIÓN, OPERACIÓN E IDENTIFICACIÓN Y RESOLUCIÓN DE PROBLEMAS

<b>TEMA</b>	<b>PÁGINA</b>
Cómo seleccionar el sistema de bomba de inyección correcto.....	15
Cómo prepararse para la instalación.....	16
Información General - Tuberías.....	16
Instalación para pozos poco profundos.....	16
Tubo doble para pozos profundos.....	17
Sistema de obturador para pozos profundos.....	17
Tubería de descarga para pozos profundos.....	17
Todos los sistemas.....	18
Sistemas elevadores.....	19
Servicio de temporada.....	19
Conjuntos de inyección y ajustes de válvulas de control para pozos profundos recomendados.....	20-21
Conjuntos De Inyección Para Pozos Poco Profundos Para Bombas Convertibles.....	21
Datos técnicos.....	22-23
Identificación y resolución de problemas.....	24
Garantía limitada de Goulds Water Technology.....	24

## INSTRUCCIONES DE SEGURIDAD

**PARA EVITAR LESIONES PERSONALES GRAVES O AÚN FATALES Y SERIOS DAÑOS MATERIALES, LEA Y SIGA TODAS LAS INSTRUCCIONES DE SEGURIDAD EN EL MANUAL Y EN LA BOMBA.**

**ESTE MANUAL HA SIDO CREADO COMO UNA GUÍA PARA LA INSTALACIÓN Y OPERACIÓN DE ESTA UNIDAD Y SE DEBE CONSERVAR JUNTO A LA BOMBA.**



Éste es un **SÍMBOLO DE ALERTA DE SEGURIDAD**. Cuando vea este símbolo en la bomba o en el manual, busque una de las siguientes palabras de señal y esté alerta a la probabilidad de lesiones personales o daños materiales.

**⚠ PELIGRO**

Advierte los peligros que **CAUSARÁN** graves lesiones personales, la muerte o daños materiales mayores.

**⚠ ADVERTENCIA**

Advierte los peligros que **PUEDEN** causar graves lesiones personales, la muerte o daños materiales mayores.

**⚠ PRECAUCIÓN**

Advierte los peligros que **PUEDEN** causar lesiones personales o daños materiales.

**AVISO:** INDICA INSTRUCCIONES ESPECIALES QUE SON MUY IMPORTANTES Y QUE SE DEBEN SEGUIR DE RETROCESO DE DRENAJE; ESTOS SISTEMAS DEBEN UTILIZAR OTROS MEDIOS FRANKLIN ELECTRIC O EN UN MANUAL DEL CÓDIGO N.E.C. (CÓDIGO ELÉCTRICO NACIONAL DE LOS ESTADOS UNIDOS).

**EXAMINE BIEN TODAS LAS INSTRUCCIONES Y ADVERTENCIAS ANTES DE REALIZAR CUALQUIER TRABAJO EN ESTA BOMBA.**

**MANTENGA TODAS LAS CALCOMANÍAS DE SEGURIDAD.**

*Aviso importante: Lea las instrucciones de seguridad antes de proseguir con el cableado.*

**⚠ ADVERTENCIA** Todo el trabajo eléctrico debe ser realizado por un técnico calificado. Siempre siga el Código Eléctrico Nacional (NEC) o el Código Eléctrico Canadiense, además de todos los códigos locales, estatales y provinciales. Las preguntas acerca del código deben ser dirigidas al inspector eléctrico local. Si se hace caso omiso a los códigos eléctricos y normas de seguridad de OSHA, se pueden producir lesiones personales o daños al equipo. Si se hace caso omiso a las instrucciones de instalación del fabricante, se puede producir electrochoque, peligro de incendio, lesiones personales o incluso la muerte, daños al equipo, rendimiento insatisfactorio y podría anularse la garantía del fabricante.

**⚠ ADVERTENCIA** Las unidades estándar no fueron diseñadas para su uso en líquidos peligrosos o donde existan gases inflamables. El pozo debe contar con ventilación de acuerdo con los códigos locales. *Vea los boletines de catálogos de bombas específicos o la placa de nombre de la bomba para todas las listas de agencias.*

**⚠ ADVERTENCIA** Desconecte y bloquee la corriente eléctrica antes de instalar o dar servicio a cualquier equipo eléctrico. Muchas bombas están equipadas con protección automática contra la sobrecarga térmica, la cual podría permitir que una bomba demasiado caliente rearranque inesperadamente.

**⚠ ADVERTENCIA** Nunca presurice demasiado el tanque, las tuberías o el sistema a una presión superior a la clasificación de presión máxima del tanque. El hacerlo dañará el tanque, anula la garantía y puede crear un peligro grave.

**⚠ ADVERTENCIA** Proteja a los tanques contra humedad y pulverización excesivas, ya que oxidarán al tanque y pueden crear un peligro. Vea las etiquetas de advertencia o el manual del tanque para más información.

## CÓMO SELECCIONAR EL SISTEMA DE BOMBA DE INYECCIÓN CORRECTO

Es importante determinar qué sistema de bomba de inyección usted necesita. Una bomba de inyección es una bomba centrífuga con un conjunto de inyección (eyector). Goulds vende tres tipos de bombas de inyección.

Bombas de inyección para pozos poco profundos con conjuntos de inyección incorporados para una elevación máxima de 25 pies. Consulte la Fig. 1.

Bombas de inyección convertibles pueden utilizarse para pozos poco profundos (hasta 25 pies) con un adaptador empernado para pozo poco profundo o para aplicaciones de pozos profundos (más de 25 pies) con un conjunto de inyección en el pozo. Consulte las Figuras 1, 2 y 3.

Los inyectoros para pozos profundos sólo deben usarse en aplicaciones de pozos profundos (más de 25 pies) con el conjunto de inyección apropiado. Consulte las Figuras 2 y 3.

Utilice una bomba para pozos poco profundos o una bomba convertible con un adaptador para pozos poco profundos en el caso de pozos con una elevación de succión máxima de 25 pies. Este valor de 25 pies incluye

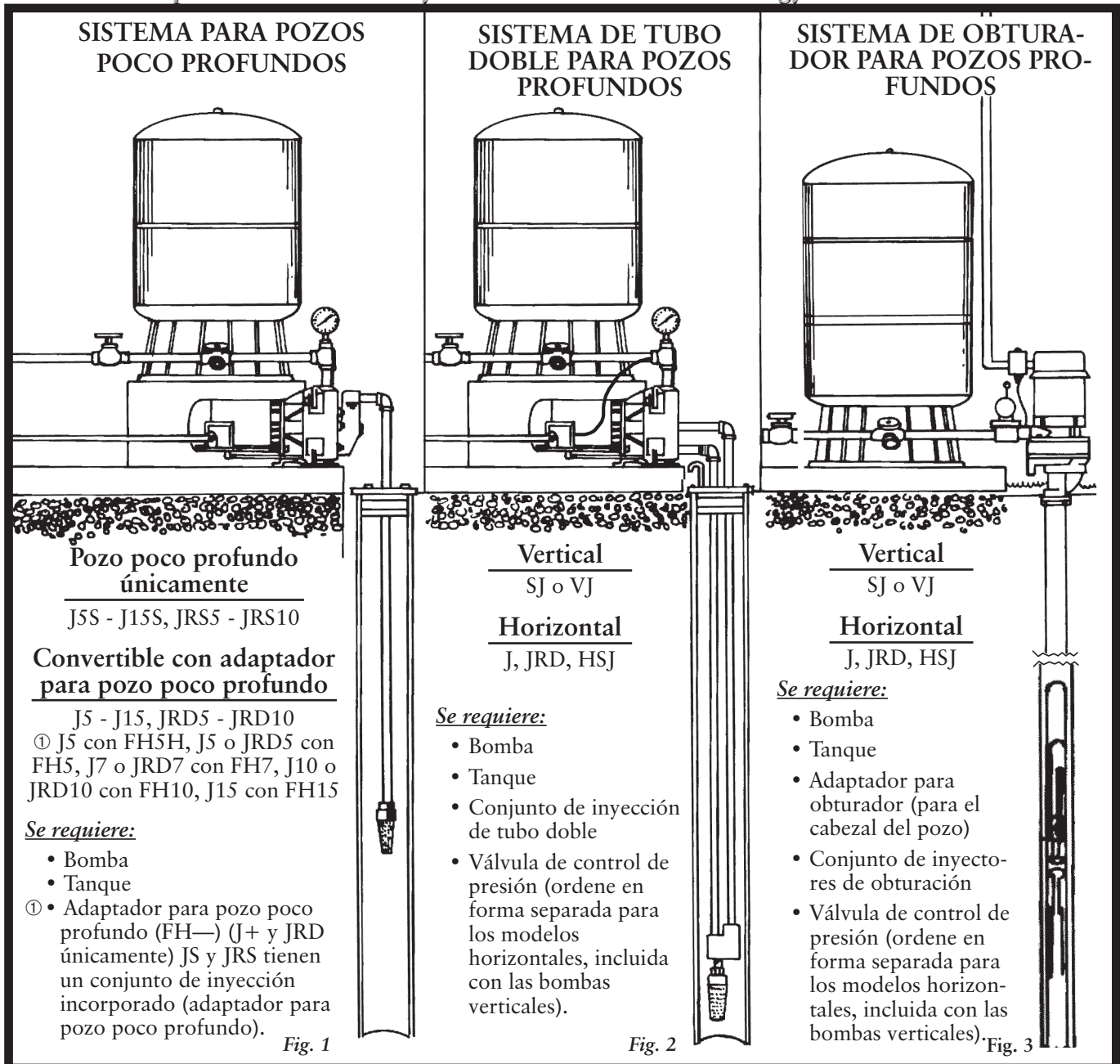
la elevación vertical real más la pérdida por fricción en la tubería de succión. Los sistemas de pozos poco profundos se identifican por una (1) tubería que va al pozo, lago o río. Son adecuados para los sistemas elevadores de agua municipales y para bombear de cisternas o tanques. Consulte las instalaciones típicas en las Figuras 1, 5 y 6.

Se utilizan bombas de inyección para pozos profundos para elevaciones de más de 25 pies y deben tener dos tuberías que vayan al pozo. Hay dos tipos de conjuntos de inyección para pozos profundos: los sistemas de tubo doble y los sistemas de obturador. Las bombas para pozos profundos se ofrecen en diseños tanto verticales como horizontales y en modelos de una etapa y de etapas múltiples. Consulte los dibujos de instalaciones típicas, Figuras 2 y 3.

Consulte con su proveedor o distribuidor profesional para seleccionar el mejor sistema de bomba para su aplicación.

- La temperatura del líquido no debe exceder 140°F (60°C).
- Proteja a la unidad contra la congelación

### Instalaciones típicas de bombas de inyección Goulds Water Technology



## CÓMO PREPARARSE PARA LA INSTALACIÓN

Inspeccione el conjunto de la bomba y el motor para asegurar que no hayan sido dañados durante el envío.

Asegure que tenga todas las partes requeridas para realizar una instalación apropiada. Consulte las listas de componentes para los distintos tipos de sistemas. Hay sistemas para pozos poco profundos, convertibles para pozos poco profundos, convertibles para pozos profundos - de tubo doble, verticales para pozos profundos - con obturador, verticales para pozos profundos - de tubo doble, verticales para pozos profundos - con obturador y sistemas elevadores. *Consulte los dibujos de instalación típica y la tabla 1.*

Verifique la tensión de la fuente de alimentación y seleccione la tensión del motor. Las bombas de inyección Goulds de ½ HP vienen precableadas de fábrica para 115 voltios, mientras que las bombas de ¾ HP y de mayor capacidad vienen precableadas para 230 voltios. Los motores de ½ a 1½ HP pueden operar ya sea con 115 ó 230 voltios. Los motores de 2 HP operan sólo con 230 voltios. *Consulte la Fig. 7.*

Seleccione un lugar donde la bomba y el tanque no se congelen. La bomba debe estar a menos de 4 pies del tanque para evitar el chasquido del interruptor. No debe haber filtros ni válvulas, excepto por una válvula de compuerta completamente abierta, entre la bomba y el tanque. La temperatura del fluido no debe exceder 140°F (60°C).

## INFORMACIÓN GENERAL - TUBERÍAS

Siempre cumpla con los códigos de plomería estatales y locales. Goulds Water Technology no vende ni especifica tipos o materiales de tuberías, consulte con su proveedor de tuberías para determinar cuál es la mejor para su instalación. Los tubos pueden roscarse, pegarse, soldarse o sujetarse con abrazadera a los accesorios y adaptadores disponibles. Si se utiliza tubería de polietileno con conectores tipo arpón, le sugerimos que la sujete con doble abrazadera a todos los accesorios para evitar las fugas de aire. Es muy importante eliminar los puntos altos o las caídas en la tubería de succión ya que atraparán aire y dificultarán significativamente el cebado del sistema. La trayectoria de la tubería nunca debe ascender sobre la bomba y luego bajar a la succión de la bomba. La tubería de succión debe ser ya sea recta desde el pozo a la bomba o debe tener una inclinación ascendente hacia la bomba. Las bombas no “retienen” el cebado, mientras que los sistemas de tuberías y las válvulas de retención sí lo hacen. Vaya a la sección específica para su tipo de sistema.

## INSTALACIÓN PARA POZOS POCO PROFUNDOS - *comience aquí*



### Tuberías de succión

La tubería de succión debe ser al menos tan grande como la succión de la bomba, típicamente de 1¼ pulg. El uso de una tubería más pequeña aumenta la pérdida por fricción y aumenta la elevación efectiva de la succión.

Esto reducirá el flujo y la presión. En derivaciones de más de 50 pies, recomendamos usar tubería más grande que la succión de la bomba. Esto reducirá la pérdida por fricción y mejorará el rendimiento.

Instale una válvula de aspiración en el extremo del tubo de bajada si el pozo es de 2 pulg. o más. Baje el tubo de bajada con la válvula de aspiración al interior del pozo. Es mejor mantenerlos al menos a 5 pies del fondo de un pozo limpio. Si los sitúa más abajo, hay mayor probabilidad de que lleguen residuos al filtro o al interior de la bomba.

En áreas arenosas o pozos hincados usted puede instalar una válvula de retención en línea cerca del cabezal del pozo o en la bomba y utilizar el entubado del pozo como

tubería de succión. Mientras más cerca esté la válvula de retención al pozo, más fácil será cebar. Para impedir bombear en exceso un pozo de baja producción, usted puede estrangular una bomba de inyección con una válvula de bola en la línea de succión. Usted debe instalar un indicador compuesto de presión/vacío entre el pozo y la válvula. No estrangule a más de 22 pulg. Hg (25 pies de elevación).

En áreas donde ocurre congelación, haga la transición de vertical a horizontal debajo del nivel de penetración de la helada utilizando un adaptador sin depresión; consulte con su proveedor de artículos de plomería para obtener información acerca de un adaptador sin depresión. En algunas áreas se utiliza un sello para pozo y un codo de 90°.

Nosotros recomendamos no usar filtros en el lado de succión de una bomba de inyección. Los filtros sucios aumentan la elevación ineficaz de succión en la bomba y podrían impedir el flujo de agua a la bomba. Esto dañará el impulsor y el difusor, lo cual afectará el rendimiento.

### Instale un adaptador para pozos poco profundos en la bomba convertible

Desempaque el “Adaptador para pozos poco profundos” Goulds Water Technology. Asegure que la boquilla esté instalada en el adaptador. Atornille el tubo Venturi (tubo negro largo) en el adaptador. Instale la empaquetadura y emperne el adaptador a la sección delantera de la bomba con los cuatro pernos suministrados. Apriete los pernos en forma pareja para asegurar un sellado apropiado y el alineamiento del tubo Venturi y el impulsor. No apriete demasiado los pernos. Consulte la Tabla 2.

**Bomba para pozos poco profundos** - el inyector está incorporado, prosiga con el paso siguiente.



Conecte la tubería de succión a la bomba. Instale un adaptador tipo arpón a la succión de 1¼ pulg. de la bomba si está utilizando tubo de polietileno y sujete el accesorio con doble abrazadera.

Enrosque un niple de tubo y una unión en el orificio de succión para hacer una conexión de tubo roscado. Asegúrese de que la unión esté limpia y bien asentada. ¡Cualquier fuga de aire arruinará el rendimiento y la bomba no acumulará presión!

### Tuberías de descarga

Instale un perfil en T o una doble T en la descarga de la bomba. (¡Estos no se suministran con la bomba!) Instale un tapón de tubería o un manómetro en un buje de reducción en el orificio superior del perfil en T. Éste se utilizará como el orificio de cebado.

**Doble T** - la tubería de descarga a la residencia se conecta a un orificio y el tanque se conecta al otro. Esto se denomina instalación de tanque fuera de línea.

**Perfil en T** - usted puede utilizar una línea para abastecer la residencia, con el perfil en T del tanque instalado desde la línea. Esto se denomina instalación de tanque en línea y es el tipo más común.

**Nota:** Los tanques Goulds Water Technology HydroPro para sistemas de agua se envían con una guía para la instalación del tanque. Por favor consúltela para obtener instrucciones más detalladas sobre el tanque.

No coloque válvulas o filtros entre la bomba y el tanque, excepto por una válvula de compuerta completamente abierta o una válvula de bola de “orificio completo”. ¡Las válvulas de bola más comunes no son de orificio completo! La mayoría de las válvulas y filtros crearán pérdida por fricción excesiva y producirán “chasquido del interruptor”. El chasquido del interruptor es una secuencia de encendido-apagado no sólo del interruptor por caída de presión, sino que también del motor. Producirá quemaduras de los contactos del interruptor, los contactos de motor y causará daños al motor si no se corrige. Si por alguna razón debe tener accesorios o filtros entre la



bomba y el tanque y estos causan chasquido del interruptor, debe mover el interruptor por caída de presión a la doble T del tanque. Consulte la “instalación del tanque HydroPro para sistemas de agua” para completar la instalación para pozos poco profundos.

## TUBO DOBLE PARA POZOS PROFUNDOS - comience aquí

Tubería de succión de tubo doble

Un conjunto de inyección de tubo doble se utiliza en pozos de 4 pulgadas y más grandes. Nuestros conjuntos de inyección de 4 pulgadas requieren como mínimo una tubería de succión de 1¼ pulg. y una tubería motriz de agua de 1 pulg.; los inyectores de 5 pulgadas requieren como mínimo una tubería de succión de 1½ pulg. y una tubería motriz de agua de 1¼ pulg. El uso de tuberías más pequeñas reducirá el rendimiento en gpm y la presión. Las derivaciones de más de 50 pies requieren tubos más grandes para reducir la pérdida por fricción y obtener el rendimiento publicado.

### ADVERTENCIA



La tensión peligrosa puede causar choques, quemaduras o la muerte.

Instale el conjunto de inyección de tubo doble. Verifique que la boquilla esté instalada en el conjunto de inyección. Instale el tubo Venturi en línea con la boquilla. En el caso de inyectores de 4 pulgadas, conecte la tubería de succión de 1¼ pulg. y el tubo de presión de 1 pulg. a las roscas hembra del conjunto de inyección. En el caso de inyectores de 5 pulgadas, las tuberías deben ser de 1½ pulg. y de 1¼ pulg. Instale una válvula de aspiración en el orificio inferior de rosca macho del conjunto de inyección o en el extremo de un tubo de aspiración de 34 pies. El tubo de aspiración impide el bombeo excesivo de un pozo de baja producción, de manera que la bomba no interrumpa la succión. Consulte la información sobre el tubo de aspiración en la sección técnica.

Baje el conjunto de inyección al pozo. Debe situarse al menos 5 pies por debajo del nivel de agua estática. Mantenga el inyector a unos pocos pies del fondo del pozo para reducir la probabilidad de aspirar residuos al interior del inyector. Las conexiones en el cabezal del pozo pueden ser ya sea un adaptador sin depresión o un sello para pozo. Será más fácil cebar si llena las tuberías con agua antes de conectar la bomba.

Conecte las tuberías de succión y de presión a las conexiones roscadas en la cara de la bomba. Esto puede hacerse utilizando uniones y nipples roscados o conectores tipo arpón en el caso de tuberías de polietileno. Siempre sujete los conectores tipo arpón con doble abrazadera. Asegúrese de que la tubería se incline hacia arriba hacia la bomba y que no haya ninguna sección sobre la succión de la bomba. En el caso de derivaciones largas, es más fácil cebar el sistema si llena las tuberías con agua antes de conectarlas a la bomba. Pase a la sección de tubería de descarga para pozos profundos.

## SISTEMA DE OBTURADOR PARA POZOS PROFUNDOS - comience aquí

Tubería de succión del obturador

Los obturadores utilizan el área entre el entubado del pozo y la tubería de succión como la tubería motriz de agua (presión). El entubado del pozo de 2 ó 3 pulgadas debe ser liso y limpio para asegurar un buen sello con el material del obturador o el sistema tendrá fugas y no retendrá el cebado. El obturador de 2 pulgadas requiere tubería de succión roscada de 1¼ pulg. y el de 3 pulgadas requiere tubería de 1½ pulg. Para obturadores de 2 pulgadas únicamente: Utilice acoplamientos torneados Goulds Water Technology, parte #64655, para conectar las secciones de tubería roscada de 1¼ pulg. Este acoplamiento torneado de diámetro especial aumenta el espaciamiento entre el diámetro interior del pozo de 2 pulgadas y el diámetro exterior del acoplamiento para permitir que el agua (presión) motriz pase con facilidad por los acoplamientos. Si no se usa este tipo de acopla-

### ADVERTENCIA



La tensión peligrosa puede causar choques, quemaduras o la muerte.

miento, se influenciará negativamente el rendimiento de la bomba y tanto la presión como los gpm disminuirán. ¡La bomba puede perder cebado fácilmente durante el bombeo debido a la restricción!

Si se utiliza tubería más pequeña que la recomendada, podría reducirse la salida de gpm. Mientras más larga es la tubería, peor es el efecto.

**Instale el conjunto del obturador**

Para facilitar la instalación, remoje el conjunto del obturador de 2 ó 3 pulgadas en agua tibia para que el material se ponga blando y flexible. ¡NO lo lubrique con grasa, aceite o gelatina de petróleo! El material debe absorber agua para sellar el conjunto del obturador contra el entubado del pozo.

Verifique que la boquilla esté instalada en el conjunto de inyección. Instale el tubo Venturi en línea con la boquilla. Instale un colador (no incluido con el conjunto del obturador) en el orificio inferior del conjunto del obturador o en el extremo de un tubo de aspiración de 34 pies. El tubo de aspiración impide el bombeo excesivo de un pozo de baja producción, de manera que la bomba no interrumpa la succión. Conecte el conjunto del obturador a los tubos de succión utilizando los acoplamientos torneados Goulds Water Technology para conectar las secciones. Inserte el conjunto del obturador en el entubado del pozo y empujelo hacia abajo. Conecte las otras secciones de tubería a medida que baja el inyector al interior del pozo. Consulte la información sobre el tubo de aspiración en la sección técnica.

**Conecte la tubería de succión al adaptador para el obturador**

Los sistemas de obturadores siempre requieren un adaptador para el obturador en el cabezal del pozo. El adaptador sirve de transición de vertical a horizontal para las bombas horizontales y conecta las carcasas de las bombas verticales al entubado del pozo y a la tubería de succión. Consulte la lista de modelos de adaptadores para obturadores/bombas para determinar cuál es el que su sistema requiere. Consulte la lista de modelos de adaptadores para obturadores/bombas en la Tabla 1.

Después de haber insertado el conjunto del obturador en el pozo, conecte el adaptador para el obturador al extremo superior de la tubería de succión. Atornille la sección superior de la tubería de succión roscada macho de 1¼ pulgada o un adaptador roscado al agujero roscado hembra NPT de 1¼ pulg. en el adaptador para obturador de 2 pulgadas o una tubería de succión de 1½ pulg. en el adaptador para obturador de 3 pulg.

Asegure que el diámetro exterior del entubado del tubo no contenga suciedad o rebabas. Con los tornillos de casquillo sueltos, el anillo de sello abusado en el adaptador para el obturador debe deslizarse sobre el entubado del pozo. Después de asegurarse de que esté en posición, apriete las dos tuercas de casquillo para comprimir el anillo de sello y sellarlo al diámetro exterior del entubado del pozo.

Instale la bomba conectándola al adaptador del obturador con los pernos y empaquetaduras suministrados. Los modelos verticales utilizan pernos prisioneros y tuercas para facilitar el montaje.

## TUBERÍA DE SUCCIÓN PARA POZOS PROFUNDOS

### ADVERTENCIA



La tensión peligrosa puede causar choques, quemaduras o la muerte.

Todas las bombas de inyección para pozos profundos requieren contrapresión para operar el conjunto de inyección. Para asegurar que exista la contrapresión o presión de agua motriz requerida, debemos usar una válvula de control de presión o algún tipo de restricción de flujo en la tubería de descarga. La válvula debe situarse entre la bomba y el primer orificio de descarga. Es mejor situarla lo más cerca posible de la bomba. Si no se instala o no se ajusta una válvula de control de pre-

sión, se producirá una pérdida de cebado durante el uso máximo, tal como el llenado de una máquina lavadora, la tina del baño o el uso de llaves de mangueras exteriores.

Todas las bombas de ½ HP pueden usar una llave de paso de gas sencilla o una válvula de bola de orificio completo, tal como nuestro modelo AV15.

Todas las demás bombas de inyección horizontales para pozos profundos, de ¾ HP y más grandes, deben usar un modelo AV22KIT, o AV22 y un juego de tubos JDW. El modelo AV22 tiene una derivación a la cual se conecta el tubo nuevo y más largo del interruptor por caída de presión. Esto permite que el interruptor lea la presión en el lado de afuera de la válvula y no en la carcasa de la bomba. Retire el accesorio de compresión recto o acodado de la carcasa de la bomba. Utilice el tapón para tubo en el modelo JDW o AV22KIT para tapar el agujero en la carcasa de la bomba. Retire el accesorio del interruptor por caída de presión. Corte el tubo viejo por mitad y deslice los accesorios de compresión fuera de dicho tubo. Note que el accesorio sólo se deslizará en una dirección. Ahora usted puede reutilizar el accesorio de compresión acodado con el tubo nuevo en el interruptor por caída de presión. Atornille el nuevo conector recto en el modelo AV22 y conecte el tubo del interruptor al AV22.

Las bombas verticales para pozos profundos están equipadas con un AV21 incorporado y sólo necesitan ajustarse.

Después de haber cebado la bomba y que fluya agua a una presión constante, debe abrir algunas llaves y ajustar la válvula de control de presión a la presión especificada en la tabla. Para aumentar la presión cierre la válvula AV15 o AV22, o gire el tornillo del modelo AV21 en sentido horario. Consulte la Tabla 1.

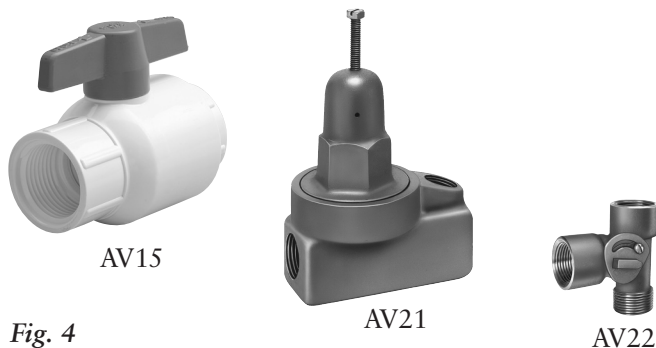


Fig. 4

## TODOS LOS SISTEMAS

### Instalación de un tanque HydroPro para sistemas de agua

**ADVERTENCIA** Mientras el tanque está vacío, verifique la presión de aire de precarga con un indicador de presión para neumáticos. La precarga del tanque debe fijarse 2 lbs./pulg. cuadrada más bajas que la presión de encendido. En los tanques Goulds Water Technology HydroPro para sistemas de agua la tapa de la válvula es el sello principal, así que asegúrese de reinstalarla después de verificar la presión de aire. Evite verificar el aire con demasiada frecuencia, ya que se pierde 1 a 2 lbs./pulg. cuadrada cada vez que lo haga. Todas las bombas de inyección Goulds Water Technology están equipadas con interruptores por caída de presión estándar con valores de 30 a 50 lbs./pulg. cuadrada.

Sitúe el tanque sobre una superficie firme y nivelada.

Se recomienda una válvula de alivio de presión para todos los sistemas y es obligatoria para los sistemas que producen más de 100 lbs./pulg. cuadrada. Su clasificación debe ser de menos de 100 lbs./pulg. cuadrada, pero debe ser superior a la presión del sistema cerca del tanque.

Haga la conexión de la tubería entre la descarga de la bomba y el tanque. Complete la tubería conectándola a las tuberías de la residencia.

**Nota:** Goulds Water Technology sólo vende los tanques HydroPro para sistemas de agua. Se envían con una guía de instalación del tanque en la caja de cartón; consulte dicha guía para obtener instrucciones más detalladas acerca de la instalación del tanque. Si usted está utilizando un tanque de otro fabricante, comuníquese con dicha compañía para obtener instrucciones específicas acerca de su tanque.

Los tanques galvanizados se instalan de la misma manera que los tanques precargados, excepto que requieren un control de volumen de aire (AVC) para reponer el aire perdido por absorción. El control de volumen de aire requiere una conexión a un orificio de vacío en la bomba. El lado de succión de dicho control debe tener un mínimo de 3 pulg. de vacío durante 15 segundos cuando arranca la bomba. Siga las instrucciones incluidas con el control de volumen de aire.

### Cómo cebar un sistema para pozos poco profundos

Cebado significa llenar la bomba y la tubería de succión con agua. La mayoría de las bombas de inyección para pozos poco profundos manejan bien el aire y lo evacuarán de la tubería de succión, pero podría llevar varios minutos cebado, dependiendo de la profundidad al agua y el tamaño y largo de la tubería.

### ¡VENTILE LA BOMBA PARA FACILITAR EL CEBADO!

Es más fácil cebar una bomba si permite que todo el aire se escape de la bomba y las tuberías; ¡no puede entrar agua a menos que el aire pueda escapar!

Retire el tapón de la tubería o el buje del manómetro en el perfil en T de descarga para llenar la bomba con agua. En las bombas para pozos poco profundos, hay que retirar el tapón para tubería de ¼ pulg. situado entre los orificios de succión y descarga para permitir el escape de aire cuando llena la carcasa con agua. El orificio estará situado ya sea en el extremo superior de la carcasa o en el extremo superior del adaptador para pozo poco profundo. Llene la bomba y la tubería de succión lo más posible con agua a través del orificio de descarga.

Reinstale el tapón para tubería de ¼ pulg. y el indicador/buje de descarga. Abra un poco la llave más cercana a la bomba/tanque para permitir que se escape el aire del sistema. No la abra demasiado o la bomba expulsará demasiada agua y tendrá que cebado nuevamente la carcasa de la bomba. En proyectos con tubería de succión larga podría ser necesario agregar agua a la carcasa de la bomba varias veces para completar el proceso de cebado. Consulte la sección de encendido del motor.

### Cómo cebar un sistema para pozos profundos

Cebado un sistema para pozos profundos significa llenar la bomba y las tuberías de succión/presión con agua. Las bombas de una etapa y de etapas múltiples para pozos profundos requieren un cebado completo antes del arranque. Si se llenan las tuberías con agua antes de instalar la bomba, se facilitará y se acelerará el cebado.

### ¡VENTILE LA BOMBA PARA FACILITAR EL CEBADO!

Para asegurar un cebado completo, recomendamos retirar el tapón angular de ventilación de ¼ pulg. situado justo arriba de la tubería de succión en las bombas horizontales. Esto permitirá que el aire escape fácilmente cuando entra el agua. Nuestros inyectores horizontales convertibles para pozos profundos deben cebarse a través de un perfil en T o la unidad AV22 en la descarga de la bomba. El perfil en T no es suministrado por Goulds Water Technology.

Nuestras bombas de inyección verticales para pozos profundos están equipadas con válvulas de control de presión. El cebado se efectúa a través del orificio del manómetro en la válvula de control de presión. La mayoría de las unidades verticales tienen un tapón de ventilación situado en el lado del adaptador para el motor que ventila la cavidad del sello, la cual es el punto alto dentro de la bomba. Al quitar este tapón de ventilación se facilitará significativamente el cebado.

## Encienda el motor



La fuente eléctrica debe ser un circuito derivado separado con un cortacircuitos o fusibles de tamaño adecuado. Todo el cableado debe cumplir con el código eléctrico de los Estados Unidos, CSA y los códigos estatales, provinciales y locales. La tensión, la fase y los controles de la fuente de alimentación deben coincidir con los del motor.

**¡NUNCA HAGA FUNCIONAR UNA BOMBA SECA; SE PRODUCIRÁN DAÑOS Y SE ANULARÁ LA GARANTÍA!**



**SIEMPRE DESCONECTE Y BLOQUEE TODA LA CORRIENTE ELÉCTRICA ANTES INSTALAR O DAR SERVICIO A BOMBAS, MOTORES O INTERRUPTORES. VERIFIQUE QUE EL CORTACIRCUITOS DE LA FUENTE DE ALIMENTACIÓN ESTÉ APAGADO O QUE EL DESCONECTOR (SI SE USA) ESTÉ APAGADO.**

Quite la tapa del interruptor por caída de presión. Conecte los alambres de la fuente de alimentación, ya sea 115 ó 230 dependiendo de la tensión del motor, a las terminales de línea del interruptor por caída de presión.

Conecte el alambre verde o alambre desnudo de conexión a tierra a cualquiera de los tornillos verdes de conexión a tierra en el interruptor. No hace ninguna diferencia a qué terminal de línea se conecte el alambre L1 activado (habitualmente de color negro) y el neutro -N de 115 voltios en el interruptor. Lo mismo corresponde a la conexión de 230 voltios, cualquiera de los alambres puede conectarse a cualquiera de las terminales de línea. Reinstale la tapa del interruptor. **NOTA:** La tensión del motor NO se cambia en el interruptor por caída de presión. Consulte la Fig. 7 en la sección de datos técnicos.

Inspeccione para asegurarse que el motor esté cableado para que corresponda con la tensión de entrada. Todos los motores tienen un rótulo cerca del interruptor por caída de presión que identifica la tensión precableada. Todas las bombas de inyección de 1/2 HP se conectan en la fábrica para 115 V, y las de 3/4 HP y más grandes se conectan para 230 V. La tensión del motor debe cambiarse dentro de la tapa del motor y no en el interruptor por caída de presión. Asegúrese de que el cortacircuitos o el desconector esté apagado antes de quitar la tapa del motor. Todos los motores tienen un diagrama de cableado en el rótulo de la tapa y también en este manual. Consulte el diagrama de cableado del motor, Fig. 7, en la sección de datos técnicos.

## SISTEMAS ELEVADORES

Utilice las instrucciones básicas para un pozo poco profundo o para una unidad convertible con adaptador para pozo poco profundo. Si se va a conectar un sistema elevador de agua municipal, conéctelo de acuerdo con la Fig. 5.

### SERIE J, JS, JRS O HSJ

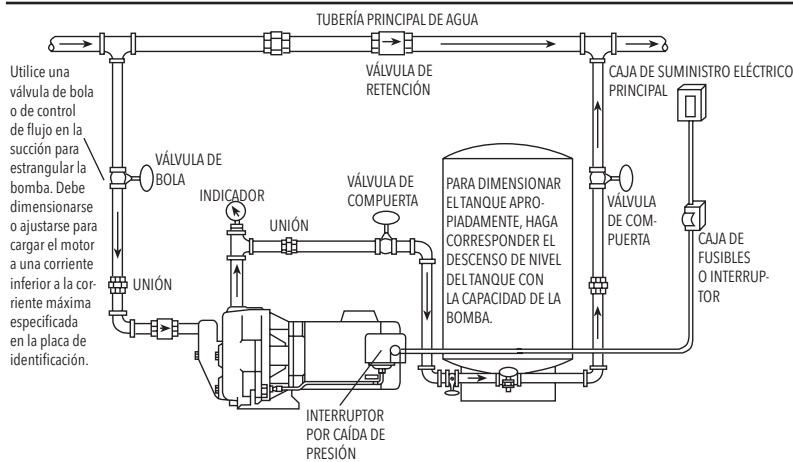


Fig. 5

Si está bombeando desde una cisterna o tanque de agua, conecte de acuerdo con la Fig. 6.

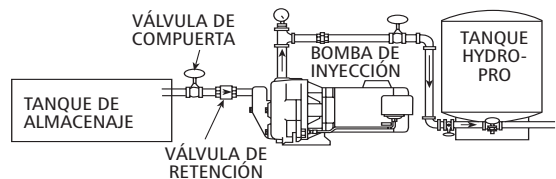


Fig. 6

## SERVICIO DE TEMPORADA

Es necesario drenar el sistema completo si la bomba, el tanque y la tubería estarán sujetos a congelación. Las bombas verticales tienen un tapón de drenaje situado en el lado de la carcasa de la bomba cerca del extremo inferior. Las bombas horizontales podrían tener dos tapones de drenaje, uno en la carcasa (parte de conexión de las

tuberías) y otro en el adaptador para el motor. También están situados cerca del extremo inferior de la bomba. Las bombas de etapas múltiples también tienen 1 ó 2 tapones de drenaje y podrían requerir que usted incline la bomba o sople aire comprimido en un agujero para extraer toda el agua de las etapas.

# TABLA 1

## CONJUNTOS DE INYECCIÓN Y AJUSTES DE VÁLVULAS DE CONTROL PARA POZOS PROFUNDOS RECOMENDADOS

MODELO DE LA BOMBA	SISTEMAS DE TUBO DOBLE (consulte la Fig. 2)				SISTEMAS DE OBTURADOR (consulte la Fig. 3)					VÁLVULA DE CONTROL RECOMENDADA (consulte la Fig. 4)
	CONJUNTO DE INYECCIÓN	DIÁMETRO MÍN. DEL POZO	AJUSTE DE LA VÁLVULA DE CONTROL (LBS./PULG. CUADR.)	PROFUNDIDAD AL INYECTOR	CONJUNTO DE INYECCIÓN	DIÁMETRO DEL POZO	AJUSTE DE LA VÁLVULA DE CONTROL (LBS./PULG. CUADR.)	PROFUNDIDAD AL INYECTOR	ADAPTADOR PARA EL OBTURADOR	
<b>J5</b>	FT4-13	4"	30	30-40	FP2-13	2"	30	30-40	AWJ2	AV15 o AV22KIT
	FT4-31	4"	30	30-60	FP2-31	2"	30	30-60		
	FT4-08	4"	30	60-90	FP2-08	2"	30	60-80	AWCJ3	
	FT5-14	4½"	30	50-90	FP3-36	3"	30	30-70		
	–	–	–	–	FP3-24	3"	30	50-80		
<b>J7</b>	FT4-14	4"	28	30-60	FP2-40	2"	30	30-60	AWJ2	AV22KIT o AV22 and JDW
	FT4-34	4"	29	70-90	FP2-47	2"	32	60-90		
	FT4-18	4"	30	90-110	–	–	–	–	AWCJ3	
	FT5-47	4½"	28	30-70	FP3-53	3"	27	30-70		
	FT5-48	4½"	40	70-110	FP3-54	3"	30	70-110		
<b>J10</b>	FT4-44	4"	31	30-60	FP2-48	2"	35	30-60	AWJ2	AV22KIT AV22 y JDW
	FT4-43	4"	33	60-80	FP2-43	2"	36	60-100		
	FT4-18	4"	35	80-110	–	–	–	–	AWCJ3	
	FT5-49	4½"	30	30-80	FP3-55	3"	28	30-80		
	FT5-11	4½"	32	80-120	FP3-14	3"	32	80-120		
<b>J15</b>	FT5-12	4½"	35	30-70	FP3-16	3"	34	30-60	AWCJ3	AV22KIT AV22 y JDW
	FT5-11	4½"	40	70-140	FP3-18	3"	34	60-90		
	–	–	–	–	FP3-21	3"	34	90-150		
	–	–	–	–	FP3-24	3"	39	100-170		
<b>SJ07 y HSJ07</b>	FT4-48	4"	40	30-70	FP2-51	2"	40	30-70	AWD2	SJ - AV21 está incorporada HSJ - utilice AV22KIT
	FT4-47	4"		70-90	FP2-50			70-90		
	FT4-06	4"		90-130	FP2-06			90-130		
				FP3-40	3"	36	30-80	AWD3		
			FP3-42	80-130						
<b>SJ10 y HSJ10</b>	FT4-47	4"	43	30-70	FP2-50	2"	45	30-60	AWD2	
	FT4-24	4"		70-110	FP2-07			60-110		
	FT4-08	4"		110-150	FP2-08			110-150		
				FP3-40	3"	40	30-90	AWD3		
			FP3-49	43			90-150			
<b>SJ15 y HSJ15</b>	FT4-45	4"	62	30-90	FP2-49	2"	62	30-90	AWD2	
	FT4-30	4"	65	90-130	FP2-30			65		90-130
	FT4-29	4"	67	130-190	FP2-29			67		130-180
					FP3-47	3"	62	30-100	AWD3	
					FP3-46			64		100-150
				FP3-34		66	150-210			
<b>SJ20 y HSJ20</b>	FT4-45	4"	76	30-100	FP2-49	2"	76	30-100	AWD2	
	FT4-30	4"	78	100-150	FP2-30			78		100-150
	FT4-29	4"	80	150-200	FP2-29			80		150-200
					FP3-47	3"	75	30-110	AWD3	
					FP3-46			78		110-170
				FP3-34		80	170-230			

**NOTA:** Se ofrecen adaptadores para derivaciones. Consulte la sección de "Accesorios" del catálogo de inyectores y elementos auxiliares Goulds Water Technology o consulte con su distribuidor para obtener información.

**TABLA 1** (continuación)

**CONJUNTOS DE INYECCIÓN Y AJUSTES DE VÁLVULAS DE CONTROL PARA POZOS PROFUNDOS RECOMENDADOS**

MODELO DE LA BOMBA	SISTEMAS DE TUBO DOBLE (consulte la Fig. 2)				SISTEMAS DE OBTURADOR (consulte la Fig. 3)					VÁLVULA DE CONTROL RECOMENDADA (consulte la Fig. 4)	
	CONJUNTO DE INYECCIÓN	DIÁMETRO MÍN. DEL POZO	AJUSTE DE LA VÁLVULA DE CONTROL (LBS./PULG. CUADR.)	PROFUNDIDAD AL INYECTOR	CONJUNTO DE INYECCIÓN	DIÁMETRO DEL POZO	AJUSTE DE LA VÁLVULA DE CONTROL (LBS./PULG. CUADR.)	PROFUNDIDAD AL INYECTOR	ADAPTADOR PARA EL OBTURADOR		
JRD5	FT3-09	3"	30	30-50	FP2-13	2"	30	30-50	AWJ2	AV15 o AV22KIT	
	FT4-13	4"	30	30-50							
	FT4-31	4"	30	30-70	FP2-31	2"	30	30-60			
	FT4-08	4"	30	60-90	FP2-08	2"	30	60-80			
	FT5-14	4½"	30	70-90							
JRD7	FT4-14	4"	27	30-60	FP2-40	2"	30	30-60	AWJ2	AV22KIT AV22 y JDW	
	FT4-34	4"	29	60-90	FP2-47	2"	32	60-90			
	FT4-18	4"	30	90-110							
	FT5-47	4½"	27	30-70	NA						
	FT5-48	4½"	30	70-110	NA						
JRD10	FT4-44	4"	31	30-60	FP2-48	2"	35	30-60	AWJ2	AV22KIT AV22 y JDW	
	FT4-43	4"	33	60-80	FP2-43	2"	36	60-100			
	FT4-18	4"	35	80-110							
	FT5-49	4½"	28	30-80	NA						
	FT5-11	4½"	32	80-120	NA						
VJ05	FT4-46	4"	23	30-60	FP2-38	2"	23	30-60	AWD2	AV21 está incorporada	
	FT4-08	4"		60-90	FP2-08			60-90			
			30-60	FP3-42	3"	30-60		AWD3			
			60-100	FP3-09		60-100					
VJ07	FT4-47	4"	34	30-60	FP2-50	2"	34	30-60	AWD2		
	FT4-46	4"		60-90	FP2-47			60-100			
	FT4-06	4"	40	90-110	FP2-09			100-120			
					FP3-40			3"	30-60		AWD3
					FP3-43				60-130		
VJ10	FT4-14	4"	34	30-90	FP2-48	2"	36	30-60	AWD2		
	FT4-09	4"	36	90-120	FP2-43			60-100			
					FP2-08			100-120			
					FP3-40			3"	30-90	AWD3	
					FP3-49				36		90-140

NOTA:

**TABLA 2**

**CONJUNTOS DE INYECCIÓN PARA POZOS POCO PROFUNDOS PARA BOMBAS CONVERTIBLES**

MODELO DE LA BOMBA	Nº. DE ORDEN DEL CONJUNTO PARA POZOS POCO PROFUNDOS	INCLUYE	
		BOQUILLA	TUBO VENTURI
J5	FH5 (estándar)	AN017	AD3731
J5	FH5H (alta presión)	AN019	AD3528
JRD5	FH5JRD	AN018	AD3731
J7, JRD7	FH7	AN018	AD3536
J10, JRD10	FH10	AN018	AD3538
J15	FH15	AN022	AD3542
HSJ07N	FHSJ07	AN012	AD3432
HSJ10N	FHSJ10	AN012	AD3437
HSJ15N	FHSJ15	AN012	AD3439
HSJ20N	FHSJ20	AN012	AD3448

**ADVERTENCIA: DESCONECTE LA FUENTE DE ENERGÍA ANTES DE INSPECCIONAR. NO HAGA NINGÚN CAMBIO CON EL SUMINISTRO ELÉCTRICO ENCENDIDO.**

**LOS CAMBIOS DE TENSIÓN SE REALIZAN DENTRO DE LA TAPA DEL MOTOR Y NO EN EL INTERRUPTOR DE PRESIÓN.**

**PROCEDIMIENTO PARA EL CAMBIO DE TENSIÓN Y DISEÑO DE LA PLACA TERMINAL**

Los motores de las bombas de chorro A.O. Smith tienen un tapón de tensión para facilitar cambios simples de tensión de 115V a 230V. Todos los motores de ½ HP vienen cableados de fábrica para funcionamiento en 115V. Si el motor está cableado para 115V, su funcionamiento a 230V destruirá los bobinados en materia de segundos y no estará cubierto por la garantía. Los motores con más HP son cableados de fábrica a 230V.

**Diseño de la placa terminal:**

- L1 tiene (2) terminales macho, un cable de interruptor está sujeto a una terminal.
- L2 tiene (2) dos terminales macho, un cable de interruptor está sujeto a una terminal y cuando configurado para funcionamiento a 115V el tapón de tensión está conectado a la otra.
- “A” tiene 1 terminal macho, el tapón de tensión está siempre conectado a "A".

**Cambio de voltaje: Si no sigue estas instrucciones, pueden dañarse los bobinados**

- 115V – Coloque el tapón de tensión negro sobre la terminal macho L2 y la terminal “A”.
- 230V – Coloque el tapón de tensión negro sobre la terminal macho “A”. La 2ª terminal macho L2 estará abierta.

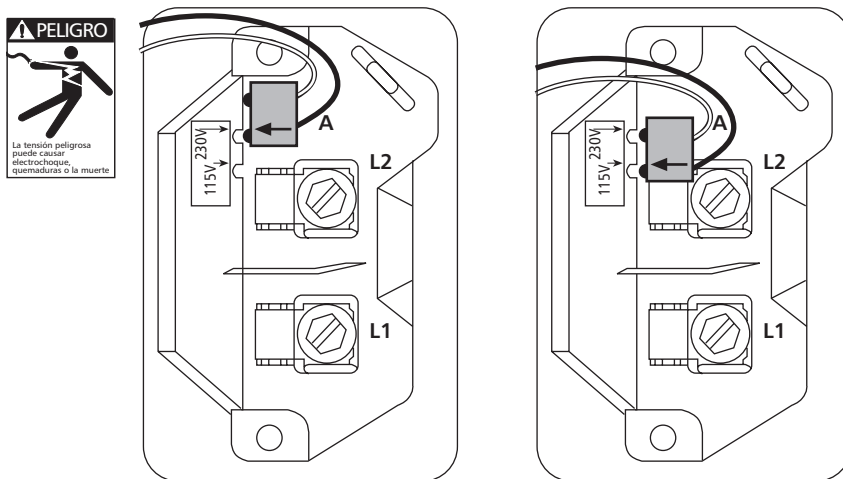


Fig. 7

**TABLERO TERMINAL DEL MOTOR A.O. SMITH / CENTURY Y ENCHUFE DE CAMBIO DE TENSIÓN**

**Las bombas están precableadas de acuerdo con la potencia:**

- ½ HP cableadas para 115 voltios
- ¾ HP - 1½ HP y más grandes cableadas para 230 voltios
- 2 HP es para 230 voltios únicamente

**DATOS DEL MOTOR A.O. SMITH / CENTURY**

Número GWT	Dónde se usa	Número A.O. Smith	HP	Voltios	Fase	Factor de servicio	Carga máx. en amperios	Vatios	Cortacircuitos
J04853L	J5(S), GB	C48A93A06	½	115/230	1	1.6	10.8/5.4	968	25/15
J05853L	J7(S), GB, GT07, (H)SJ07, HSC07	C48A94A06	¾	115/230	1	1.5	14.8/7.4	1336	30/15
J06853L	J10(S), GB, GT10, (H)SJ10, HSC10	C48A95A06	1	115/230	1	1.4	16.2/8.1	1592	30/20
J07858L	J15(S), GB, GT15, HSJ15, HSC15	C48C53A06	1½	115/230	1	1.3	22.0/11.0	1950	40/20
① J08854L	HSJ20, GB, GT20, HSC20	K48A34A06	2	230	1	1.4	12.9	2100	25
J09853	XSH30, GT30	7-196427-20	3	230	1	1.15	13.3	3280	30
SFJ04860	JRS5, JRD5, JB05	C48C04A06	½	115/230	1	1.6	12.6/6.3	990	25/15
SFJ05860	JRS7, JRD7, JB07	C48C05A06	¾	115/230	1	1.5	14.8/7.4	1200	30/15
SFJ06860	JRS10, JRD10, JB10	C48C06A06	1	115/230	1	1.4	16.2/8.1	1400	30/20

① Fecha de vigencia - julio de 1998, 230 V únicamente.

## USO DEL TUBO DE ASPIRACIÓN EN BOMBAS DE INYECCIÓN PARA POZOS PROFUNDOS

Si la capacidad de una bomba de inyección para pozos profundos excede la producción del pozo, el descenso de nivel del pozo hará que la bomba interrumpa la succión y pierda cebado. Esto puede corregirse utilizando un tubo de aspiración de 24 pies entre el conjunto de inyección y la válvula de aspiración. Debido a que la capacidad de una bomba disminuye a medida que aumenta la elevación, el flujo de entrada al pozo y la salida de la bomba se igualarán en algún punto entre el inyector y la válvula de aspiración. El dibujo muestra el porcentaje de capacidad nominal que usted obtendrá en ciertos puntos. Al igual que en una situación normal, el inyector debe instalarse 5 pies por debajo del nivel de agua estática.

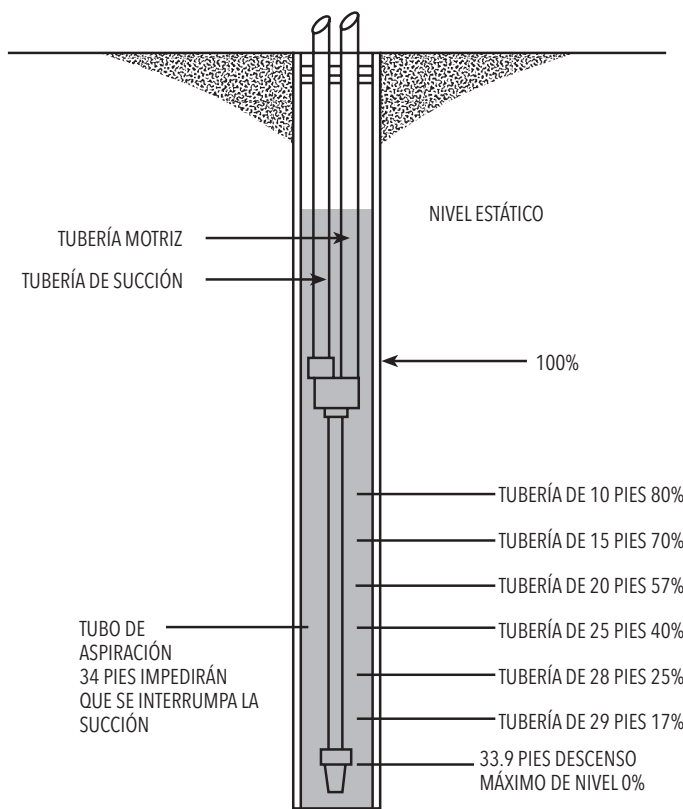


Fig. 8

## CÓMO VERIFICAR LA ELEVACIÓN DE SUCCIÓN EN UN POZO POCO PROFUNDO

Un manómetro indica la elevación de succión total (elevación vertical + pérdida por fricción) en pulgadas de mercurio (Hg). Una (1) pulgada en el manómetro = 1.13 pies de elevación de succión total (basado en una bomba a nivel del mar). La elevación de succión práctica al nivel del mar es de 25 pies o 22 pulg. de Hg. Deduzca un pie por cada 1000 pies sobre el nivel del mar.

Instale el indicador compuesto de vacío/presión en el agujero de 1/8 pulg. en el adaptador para pozo poco profundo o en el agujero de 1/8 pulg. entre las tuberías de succión y de descarga en una bomba dedicada para pozo poco profundo. Éste es el mismo agujero que se utiliza para conectar un control de volumen de aire.

Cómo interpretar las lecturas del indicador:

### Vacío alto (22 pulg. o más)

- La tubería de succión está enterrada en el lodo
- La válvula de aspiración o la válvula de retención está atascada en posición cerrada
- La elevación de succión excede la capacidad de elevación de la bomba

### Poco o nada de vacío

- La tubería de succión no está sumergida
- Fuga de succión (revise las juntas, especialmente las uniones)

### La aguja del indicador fluctúa rápidamente

- Pozo gaseoso
- Hay una fuga de aire en la tubería de succión
- El pozo produce menos que la capacidad de la bomba; estrangule una válvula de bola en la línea de succión sin exceder 22 pulg. de Hg para reducir la capacidad de la bomba

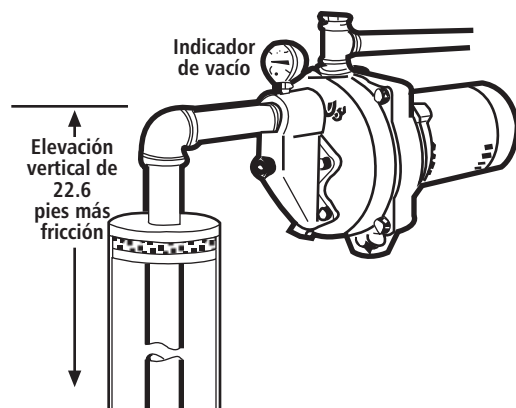


Fig. 9

Una lectura de 20 pulg. en un indicador de vacío colocado en el lado de succión de la bomba le indicaría que tiene una elevación de succión o vacío de 22.6 pies.

$$20 \text{ pulg.} \times 1.13 \text{ pie} = 22.6 \text{ pies}$$

## IDENTIFICACIÓN Y RESOLUCIÓN DE PROBLEMAS

### **⚠ PELIGRO**

Tensión  
Peligrosa

**LA FALLA DE DESCONECTAR Y BLOQUEAR LA CORRIENTE ELÉCTRICA ANTES DE INTENTAR CUALQUIER MANTENIMIENTO, PUEDE CAUSAR ELECTROCHOQUE, QUEMADURAS O LA MUERTE.**

### **SÍNTOMA**

**EL MOTOR NO ESTÁ FUNCIONANDO**

Ver la causa probable - 1 a 5

**LA BOMBA ENTREGA POCO O NADA DE LÍQUIDO**

Ver la causa probable - 6 a 11

**LA BOMBA ENTREGA AGUA - NO SE DETIENE**

Ver la causa probable - 9 a 13

**LA BOMBA CICLA EXCESIVAMENTE**

Ver la causa probable - 14 a 17

### **CAUSA PROBABLE**

1. Se disparó el protector térmico del motor
2. Cortacircuitos abierto o fusible quemado
3. Roce del impulsor
4. Cableado incorrecto / verificar el ajuste de tensión del motor
5. Motor defectuoso
6. La bomba no está cebada, sumersión inadecuada de la tubería de succión, fuga de aire en la tubería de succión
7. La descarga o la succión está tapada, la(s) válvula(s) está(n) cerrada(s)
8. Baja tensión reduce la velocidad del motor
9. Impulsor gastado o atascado, no se ha instalado un conjunto de inyección o el inyector está tapado
10. Carga del sistema demasiado alta
11. Elevación de succión excesiva o pérdidas de succión excesivas
12. Interruptor por caída de presión tapado, ajustado incorrectamente
13. Hay fugas en la tubería de descarga o en la residencia
14. Válvula de retención de succión o válvula de aspiración defectuosa
15. El tanque de presión tiene estancamiento de agua
16. La bomba está a más de 5 pies del tanque
17. Válvulas de alta pérdida por fricción entre la bomba y el tanque. (Utilice válvulas de compuerta completamente abiertas únicamente.)

### **GARANTÍA LIMITADA DE GOULDS WATER TECHNOLOGY**

Esta garantía es aplicable a todas las bombas para sistemas de agua fabricadas por Goulds Water Technology. Toda parte o partes que resultaren defectuosas dentro del período de garantía serán reemplazadas, sin cargo para el comerciante, durante dicho período de garantía. Tal período de garantía se extiende por doce (12) meses a partir de la fecha de instalación, o dieciocho (18) meses a partir de la fecha de fabricación, cualquiera se cumpla primero.

Todo comerciante que considere que existe lugar a un reclamo de garantía deberá ponerse en contacto con el distribuidor autorizado de Goulds Water Technology del cual adquiriera la bomba y ofrecer información detallada con respecto al reclamo. El distribuidor está autorizado a liquidar todos los reclamos por garantía a través del Departamento de Servicios a Clientes de Goulds Water Technology.

**La presente garantía excluye:**

- (a) La mano de obra, el transporte y los costos relacionados en los que incurra el comerciante;
- (b) los costos de reinstalación del equipo reparado;
- (c) los costos de reinstalación del equipo reemplazado;
- (d) daños emergentes de cualquier naturaleza; y
- (e) el reembolso de cualquier pérdida causada por la interrupción del servicio

**A los fines de esta garantía, los términos “Distribuidor”, “Comerciante” y “Cliente” se definen como sigue:**

- (1) “Distribuidor” es aquel individuo, sociedad, corporación, asociación u otra persona jurídica que opera en relación legal entre Goulds Water Technology y el comerciante para la compra, consignación o contratos de venta de las bombas en cuestión.
- (2) “Comerciante” es todo individuo, sociedad, corporación, asociación u otra persona jurídica que en el marco de una relación legal realiza negocios de venta o alquiler-venta (leasing) de bombas a clientes.
- (3) “Cliente” es toda entidad que compra o que adquiere bajo la modalidad de leasing las bombas en cuestión de un comerciante. El término “cliente” puede significar un individuo, sociedad, corporación, sociedad de responsabilidad limitada, asociación o cualquier otra persona jurídica con actividades en cualquier tipo de negocios.

**LA PRESENTE GARANTÍA SE EXTIENDE AL COMERCIANTE ÚNICAMENTE.**

**xylem**  
Let's Solve Water

Xylem Inc.  
2881 East Bayard Street Ext., Suite A  
Seneca Falls, NY 13148  
Teléfono: (866) 325-4210  
Fax: (888) 322-5877  
[www.gouldswatertechnology.com](http://www.gouldswatertechnology.com)

Goulds es una marca registrada de Goulds Pumps, Inc. y se utiliza bajo licencia.  
© 2012 Xylem Inc. IM102 Revisión Número 5 Mayo 2013





# Pompes À Jet

MANUEL D'INSTALLATION, D'UTILISATION ET DE DÉPANNAGE

<b>SUJET</b>	<b>PAGE</b>
Sélection du système à pompe à jet approprié.....	27
Préparatifs d'installation .....	28
Informations générales — tuyauterie .....	28
Système pour puits peu profonds.....	28
Système à tuyaux jumelés pour puits profonds.....	29
Système à tuyaux concentriques pour puits profonds.....	29
Tuyauterie de refoulement pour puits profonds .....	30
Généralités — tous les systèmes.....	30
Systèmes d'augmentation de pression .....	31
Entretien saisonnier.....	31
Éjecteur et pression de réglage (régulateur de pression) recommandés — puits profonds .....	32, 33
Éjecteurs de pompes convertibles pour puits peu profonds.....	33
Données techniques.....	34, 35
Dépannage .....	36
Garantie limitée de Goulds Water Technology .....	36

### CONSIGNES DE SÉCURITÉ

**AFIN DE PRÉVENIR LES BLESSURES GRAVES OU MORTELLES ET LES DOMMAGES MATÉRIELS IMPORTANTS, SUIVRE CHAQUE CONSIGNE DE SÉCURITÉ FIGURANT DANS LE MANUEL ET SUR LA POMPE.**

**LE PRÉSENT MANUEL A POUR BUT DE FACILITER L'INSTALLATION ET L'UTILISATION DE LA POMPE ET DOIT ÊTRE CONSERVÉ PRÈS DE CELLE-CI.**



Le symbole ci-contre est un **SYMBOLE DE SÉCURITÉ** employé pour signaler les mots-indicateurs dont on trouvera la description ci-dessous. Sa présence sert à attirer l'attention afin d'éviter les blessures et les dommages matériels.



Prévient des risques qui **VONT** causer des blessures graves, la mort ou des dommages matériels importants.



Prévient des risques qui **PEUVENT** causer des blessures graves, la mort ou des dommages matériels importants.



Prévient des risques qui **PEUVENT** causer des blessures ou des dommages matériels.

**AVIS: SERT À ÉNONCER LES DIRECTIVES SPÉCIALES DE GRANDE IMPORTANCE QUE L'ON DOIT SUIVRE.**

**LIRE SOIGNEUSEMENT CHAQUE DIRECTIVE ET AVERTISSEMENT AVANT D'EFFECTUER TOUT TRAVAIL SUR LA POMPE.**

**N'ENLEVER AUCUNE DÉCALCOMANIE DE SÉCURITÉ.**

*Avis important: lire les consignes de sécurité avant de procéder au câblage.*



L'installation électrique doit être entièrement effectuée par un technicien qualifié. Il faut toujours suivre les prescriptions du code provincial ou national de l'électricité pertinent et les règlements locaux. Adresser toute question relative au code à un inspecteur en électricité. Le non-respect du code et des politiques de santé et de sécurité au travail peut entraîner des blessures et des dommages matériels. L'inobservation des directives d'installation fournies par le fabricant peut se traduire par un choc électrique, un incendie, des blessures ou la mort, ainsi que par des dommages matériels, des performances non satisfaisantes et l'annulation de la garantie du fabricant.



Les pompes standard ne sont pas conçues pour les liquides dangereux ni les gaz inflammables. Aérer le puits selon les codes locaux. *La plaque signalétique de la pompe et les feuillets du catalogue de pompes listent les organismes de normalisation.*



Verrouiller la source de courant en position hors circuit avant l'installation ou l'entretien des dispositifs électriques. Le protecteur thermique de certains moteurs coupe le courant lorsqu'il y a surcharge thermique et le rétablit automatiquement, redémarrant ainsi la pompe inopinément.



Pour le système et le réservoir, ne jamais utiliser une pression excédant la pression nominale maximale de ce dernier, afin de ne pas l'endommager, annuler la garantie ni constituer un grave danger.



Protéger le réservoir des éclaboussures et des excès d'humidité pour prévenir la corrosion et les risques. Lire les étiquettes du réservoir et le manuel pour plus de détails.



Ne pas lever, transporter ni suspendre la pompe par le câble d'alimentation: l'endommagement du câble pourrait causer un choc électrique, des brûlures ou la mort.

## SÉLECTION DU SYSTÈME À POMPE À JET APPROPRIÉ

Il est important de déterminer le système à pompe à jet requis. Une pompe à jet est une pompe centrifuge munie d'un éjecteur. Goulds Water Technology en vend trois types :

Pompes à jet pour puits peu profonds, à éjecteur intégré, pour une hauteur d'aspiration maximale de 25 pi. Voir la figure 1.

Pompes à jet convertibles, utilisables avec un adaptateur pour puits peu profonds (25 pi ou moins), vissé au corps de pompe, ou avec un éjecteur en puits pour les puits profonds (plus de 25 pi). Voir les fig. 1, 2 et 3.

Pompes à jet pour puits profonds, que l'on devrait utiliser seulement pour les puits profonds (plus de 25 pi), avec l'éjecteur approprié. Voir les fig. 2 et 3.

Employer une pompe pour puits peu profonds ou une pompe convertible avec adaptateur pour puits peu profonds quand la hauteur d'aspiration maximale est de

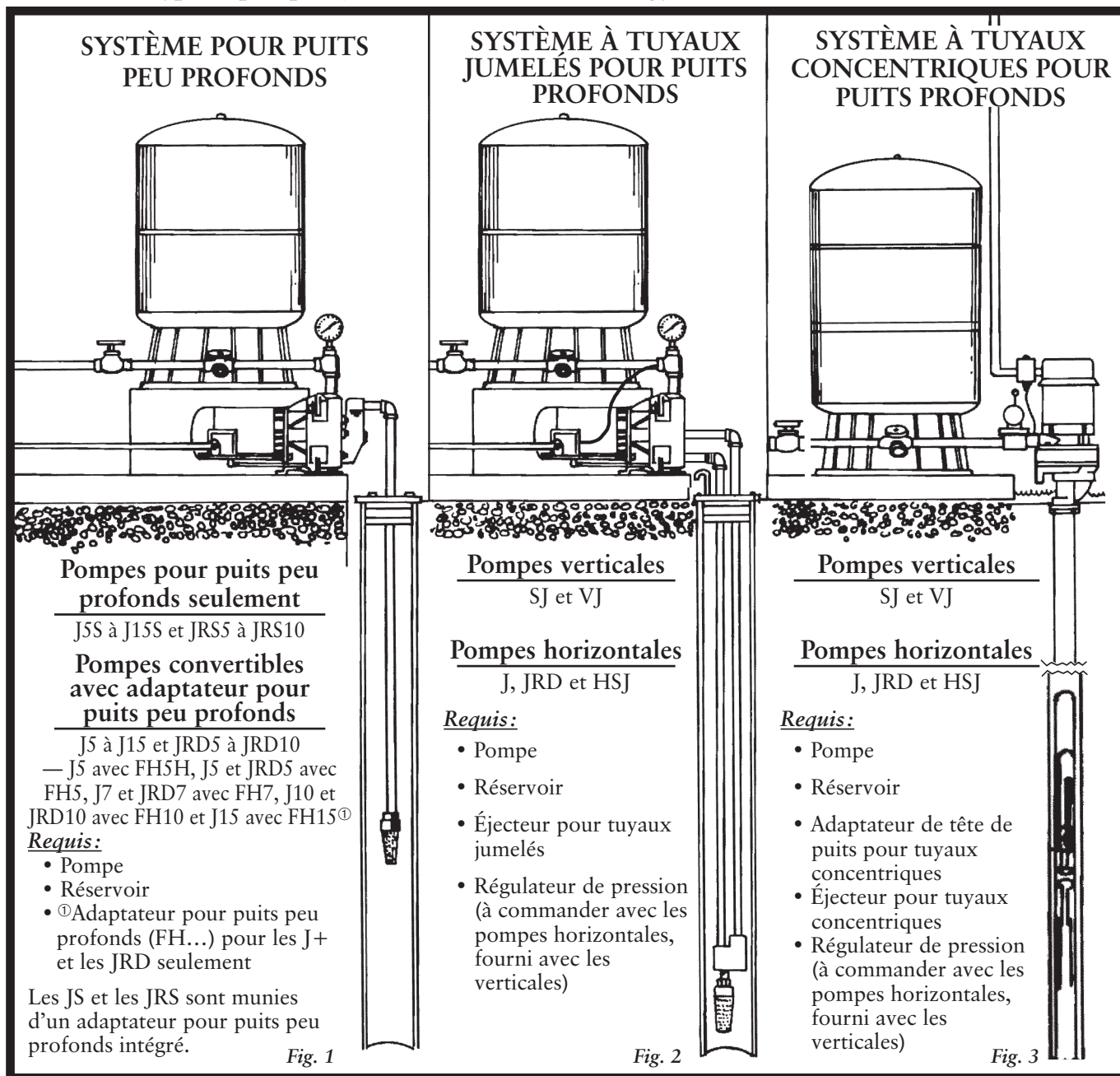
25 pi. Celle-ci comprend la perte de charge (par frottement) de la tuyauterie d'aspiration. Les systèmes pour puits peu profonds sont caractérisés par leur unique tuyau d'aspiration, que la source de liquide soit un puits, un lac ou une rivière. Ils conviennent comme systèmes d'augmentation de pression pour l'eau municipale ou comme systèmes de pompage pour l'eau de citernes ou de réservoirs. Voir les systèmes types, aux fig. 1, 5 et 6.

Les pompes pour puits profonds servent pour les hauteurs d'aspiration de plus de 25 pi et sont caractérisées par les deux tuyaux descendant dans le puits. Il en existe deux types : à tuyaux jumelés ou à tuyaux concentriques. Les pompes pour puits profonds sont offertes en versions horizontales ou verticales, multi-étagées ou non. Voir les systèmes types, aux fig. 2 et 3.

Consulter un détaillant professionnel ou le distributeur pour choisir le système qui convienne le mieux.

- La température du liquide ne doit pas dépasser 60°C (140°F).
- Protéger l'appareil du gel.

### Installations types à pompe à jet Goulds Water Technology



## PRÉPARATIFS D'INSTALLATION

Inspecter la pompe et le moteur pour s'assurer qu'ils n'ont pas été endommagés pendant le transport.

S'assurer également que l'on a toutes les pièces nécessaires à une bonne installation. Voir la liste des pièces du système à pompe en question : pour puits peu profonds, convertible pour puits peu profonds, convertible pour puits profonds, convertible à tuyaux jumelés pour puits profonds, verticale à tuyaux jumelés pour puits profonds, et d'augmentation de pression. Voir les dessins des installations types et la table 1.

Vérifier la tension d'alimentation et choisir la tension d'entrée du moteur : les pompes à jet Goulds de 1/2 hp sont câblées en usine pour une tension de 115 V, et celles de 3/4 hp et plus, pour une tension de 230 V. Les moteurs de 1/2 à 1 1/2 hp peuvent fonctionner sur 115 ou 230 V. Ceux de 2 hp ne fonctionnent que sur 230 V. Voir la figure 7.

Choisir un endroit à l'abri du gel pour installer la pompe et le réservoir. Afin d'empêcher le cliquetis répétitif du pressostat, l'écart entre la pompe et le réservoir ne doit pas dépasser 4 pi. Il ne devrait y avoir ni filtre, ni soupape, ni robinet (sauf s'il s'agit d'un robinet-vanne grand ouvert) entre la pompe et le réservoir. La température du liquide ne doit pas dépasser 60°C (140°F).

## INFORMATIONS GÉNÉRALES — TUYAUTERIE

On doit toujours suivre les prescriptions du code de plomberie. Goulds Water Technology ne vend pas de tuyaux et n'en spécifie pas le type ni le matériau de fabrication. Il est donc suggéré de consulter un fournisseur de tuyaux pour déterminer le type de tuyau convenant le mieux au système. Adaptateurs, raccords et accessoires peuvent être fixés aux tuyaux par filetage, collage, soudage ou serrage. Si l'on utilise des tuyaux en polyéthylène et des raccords à barbillons, il est suggéré d'assujettir chaque raccord avec deux colliers de serrage pour prévenir toute fuite et entrée d'air. Il est très important d'éliminer les proéminences et les creux dans la tuyauterie d'aspiration pour empêcher la formation de poches d'air et faciliter grandement l'amorçage de la pompe. Pour la même raison, ne jamais poser la tuyauterie d'aspiration de manière à ce qu'elle forme une courbe ascendante : la tuyauterie devrait relier le puits à la pompe en ligne droite ou avec une pente ascendante. Les pompes ne « retiennent » pas le liquide d'amorçage, contrairement à la tuyauterie et au clapet de non-retour. **Consulter la section décrivant le système en question.**

## SYSTÈME POUR PUITTS PEU PROFONDS — commencer l'installation ici.

### Tuyauterie d'aspiration



Le calibre du tuyau d'aspiration devrait être au moins aussi grand que celui de l'orifice d'aspiration de la pompe, généralement 1/4 po. Un calibre plus petit augmenterait la perte de charge et la hauteur d'aspiration effective, réduisant ainsi la pression et le débit. Pour les écarts pompe-axe de puits (*offsets*) de plus de 50 pi, nous recommandons un calibre de tuyau supérieur à celui de l'orifice d'aspiration de la pompe afin de réduire la perte de charge et d'améliorer les performances.

Poser un clapet de pied à l'entrée du tuyau d'aspiration si le puits a un diamètre de 2 po et plus. Descendre ensuite ce tuyau dans le puits. Il vaut mieux laisser un écart d'au moins 5 pi entre l'entrée du tuyau et le fond du puits pour prévenir l'aspiration de débris dans la crépine ou dans la pompe.

Dans le cas des installations à pointe filtrante ou en puits tubulaires, on peut poser un clapet de non-retour près de la tête de puits ou de la pompe et utiliser le cuvelage comme tuyau d'aspiration. Plus le clapet de non-retour est près du puits, plus l'amorçage sera facile. Pour empêcher le surpompage des puits à faible débit, on peut poser un robinet à tournant sphérique sur le tuyau d'aspiration et en réduire la section de passage. On devrait aussi poser un manovacuumètre entre le puits et le robinet. La réduction de la section de passage ne doit pas équivaloir à une dépression de plus de 22 po de mercure (hauteur d'aspiration de 25 pi).

Dans les régions où le sol gèle, raccorder le tuyau vertical au tuyau horizontal sous la ligne de gel au moyen d'un adaptateur de tête de puits, dont on obtiendra les informations chez un fournisseur de matériel de plomberie. On utilise parfois un joint de puits et un coude à 90°.

La pose de filtres sur la tuyauterie d'aspiration n'est pas recommandée. Les filtres sales augmentent la hauteur d'aspiration effective et causent un étranglement suffisant pour empêcher l'arrivée de l'eau à la pompe, ce qui en endommagerait roue(s) et diffuseur(s) et en altérerait les performances.

### Poser l'adaptateur pour puits peu profonds sur la pompe convertible.

Déballer l'adaptateur Goulds Water Technology pour puits peu profonds. S'assurer que la tuyère est bien en place dans l'adaptateur. Visser le venturi (tube long, noir) à l'adaptateur. Mettre le joint d'étanchéité en place, puis fixer l'adaptateur au devant de la pompe avec les quatre vis fournies. Serrer celles-ci uniformément pour assurer l'étanchéité du joint et le bon alignement du venturi sur la roue. Ne pas trop serrer les vis. Voir la table 2.

### Pompe pour puits peu profonds — l'éjecteur est intégré ; aller à l'étape suivante.

Raccorder la tuyauterie d'aspiration à la pompe.



Poser un raccord à barbillons sur l'orifice d'aspiration de 1/4 po de la pompe si l'on emploie un tuyau en polyéthylène. Utiliser deux colliers de serrage pour assujettir le tuyau en polyéthylène au raccord à barbillons.

OU

Visser un mamelon et un raccord union à l'orifice d'aspiration de la pompe pour y assujettir la tuyauterie d'aspiration à about fileté. S'assurer que le raccord union est propre et bien appuyé contre son siège, car toute fuite et entrée d'air réduiront la pression de refoulement et les performances de la pompe.

### Tuyauterie de refoulement

Poser un té ou un raccord en croix (ni l'un ni l'autre ne sont fournis avec la pompe !) sur l'orifice de refoulement de la pompe. Mettre un bouchon ou bien un raccord réducteur et un manomètre sur l'orifice supérieur du té ou du raccord en croix. L'orifice servira d'orifice d'amorçage.

**Raccord en croix** — le tuyau de refoulement reliant le réservoir est fixé à un orifice latéral du raccord en croix, et celui qui relie la tuyauterie de la maison, à l'autre orifice. C'est ce qui s'appelle « montage de réservoir sur conduite secondaire ».

**Té** — on peut employer le même tuyau pour alimenter la tuyauterie de la maison et le réservoir (avec le té, dans ce cas-ci). C'est ce qui s'appelle « montage de réservoir sur conduite principale ».

**Nota :** les réservoirs HydroPro de Goulds Water Technology pour systèmes d'alimentation en eau viennent avec un guide d'installation. Pour les directives détaillées, voir le guide.

Ne pas poser de robinets, de soupapes ni de filtres entre la pompe et le réservoir (sauf s'il s'agit d'un robinet-vanne grand ouvert ou d'un robinet à tournant sphérique « à passage intégral »). La plupart des robinets à tournant sphérique ordinaires ne sont pas à passage intégral ! La majorité des soupapes, des robinets et des filtres causent une perte de charge excessive et le « cliquetis répétitif » du pressostat, fonctionnement cyclique rapide du pressostat provoquant le démarrage et l'arrêt à répétition de la pompe. Si l'on n'y apporte pas de correctifs, il endommage les contacts du pressostat et du moteur ainsi que le moteur. Si, pour quelque motif que ce soit, on doit mettre entre la pompe et le réservoir un raccord ou accessoire de tuyauterie ou bien un filtre et que le cliquetis répétitif du pressostat survienne, on devrait poser ce dernier au té du réservoir. **Aller à « Installation d'un réservoir HydroPro pour systèmes d'alimentation en eau » pour finir l'installation du système pour puits peu profonds.**

## SYSTÈME À TUYAUX JUMELÉS POUR PUITTS PROFONDS — commencer l'installation ici.

### Tuyaux d'aspiration jumelés

On emploie un éjecteur pour tuyaux jumelés dans les puits de 4 po de diamètre et plus. L'éjecteur des puits de 4 po nécessite un tuyau de calibre minimal de 1¼ po pour l'aspiration et de 1 po pour l'alimentation en eau motrice ou bien de 1½ po et de 1¼ po, respectivement, pour les puits 5 po. Une tuyauterie de calibre moindre réduira la pression et le débit de refoulement. Les écarts pompe-axe de puits de plus de 50 pi exigent un calibre de tuyau plus grand pour permettre la réduction de la perte de charge et le maintien des performances publiées.

### Poser l'éjecteur pour tuyaux jumelés.

**AVERTISSEMENT** S'assurer que la tuyère est bien en place dans l'éjecteur. Poser le venturi devant la sortie de la tuyère. Dans le cas des puits de 4 po, visser le tuyau d'aspiration de 1¼ po et d'alimentation en eau motrice de 1 po dans leur orifice femelle correspondant, sur l'éjecteur. Ces tuyaux devraient être respectivement de 1½ po et de 1¼ po dans les puits de 5 po. Visser un clapet de pied à l'about mâle situé sous l'éjecteur ou à l'entrée du tuyau-rallonge de 34 pi, selon le cas. Le tuyau-rallonge prévient le surpompage des puits à faible débit et, ainsi, l'entrée d'air dans la pompe. *Voir les détails sur le tuyau-rallonge dans les Données techniques ci-dessous.*

Descendre l'éjecteur dans le puits, à au moins 5 pi sous le niveau statique. Immobiliser l'éjecteur à quelques pieds du fond pour réduire les risques d'aspiration de débris dans l'éjecteur. Le raccordement à la tête de puits peut se faire par le biais d'un adaptateur de tête de puits ou d'un joint de puits. Pour faciliter l'amorçage, remplir les tuyaux d'eau avant d'y raccorder la pompe.

Raccorder les tuyaux d'aspiration et d'alimentation en eau motrice à leur orifice respectif, sur le devant de la pompe. Pour ce faire, on peut employer des mamelons et des raccords unions ou, avec les tuyaux en polyéthylène, des raccords à barbillons. On doit toujours employer deux colliers de serrage pour assujettir chaque raccord à barbillons au tuyau en polyéthylène. S'assurer que la tuyauterie forme une pente ascendante jusqu'à la pompe et qu'aucun de ses éléments n'est plus haut que l'orifice d'aspiration de la pompe. Si l'écart pompe-axe de puits est grand, on remplira les tuyaux d'eau avant d'y raccorder la pompe pour faciliter l'amorçage. *Aller à Tuyauterie de refoulement pour puits profonds.*

## SYSTÈME À TUYAUX CONCENTRIQUES POUR PUITTS PROFONDS — commencer l'installation ici.

### Tuyaux d'aspiration concentriques

**AVERTISSEMENT** Dans le système à tuyaux concentriques, le cuvelage sert de tuyau d'alimentation en eau motrice (sous pression) du tuyau d'aspiration. Le cuvelage des puits de 2 po et de 3 po doit être propre et lisse pour que les garnitures en cuir (à bord relevé) de l'éjecteur maintiennent l'étanchéité et l'amorçage du système. Les puits de 2 po exigent un tuyau d'aspiration à about à filetage femelle de 1¼ po, et ceux de 3 po, à filetage femelle de 1½ po. Dans les puits de 2 po uniquement, utiliser des manchons usinés Goulds Water Technology n° 64655 pour joindre les tronçons de tuyau de 1¼ po : le diamètre extérieur réduit de ces manchons augmente la section de passage de l'eau entre le cuvelage et chaque manchon et permet de conserver la pression et le débit de refoulement de la pompe. La restriction causée par les autres types de manchons peut facilement désamorcer la pompe pendant le pompage !

L'emploi d'un tuyau d'aspiration de calibre inférieur au calibre recommandé peut réduire le débit de refoulement. Plus le tuyau est long, plus le débit décroît.

### Poser l'éjecteur pour tuyaux concentriques.

Afin de faciliter la pose de l'éjecteur pour puits de 2 po ou de 3 po, le faire tremper dans l'eau chaude pour en assouplir les garnitures en cuir. NE PAS lubrifier celles-ci avec de la graisse, de l'huile ni du pétrolatum (vaseline) ! Les garnitures doivent s'imprégner d'eau pour assurer l'étanchéité du joint éjecteur-cuvelage.

S'assurer que la tuyère est bien en place dans l'éjecteur. Poser le venturi devant la sortie de la tuyère. Fixer une crépine (non fournie avec l'éjecteur) à l'orifice inférieur de l'éjecteur ou à l'entrée du tuyau-rallonge de 34 pi, selon le cas. Le tuyau-rallonge prévient le surpompage des puits à faible débit et, ainsi, l'entrée d'air dans la pompe. Fixer l'éjecteur au premier tronçon de tuyau d'aspiration, puis insérer le tout dans le cuvelage et le pousser vers le bas. Joindre les tronçons de tuyau au fur et à mesure avec des manchons usinés Goulds Water Technology. *Voir les détails sur le tuyau-rallonge dans les Données techniques ci-dessous.*

### Poser le tuyau d'aspiration à l'adaptateur de tête de puits pour tuyaux concentriques.

Les systèmes à tuyaux concentriques requièrent toujours un adaptateur de tête de puits pour tuyaux concentriques. L'adaptateur permet le raccordement des tuyaux verticaux aux tuyaux horizontaux pour les pompes horizontales, ainsi que le raccordement du corps des pompes verticales au cuvelage et au tuyau d'aspiration. Consulter la liste des modèles de pompe et des adaptateurs de tête de puits pour tuyaux concentriques pour savoir lesquels conviennent au système. *Voir la liste en question dans la table 1.*

Une fois l'ensemble éjecteur-tuyau d'aspiration inséré dans le puits, visser le tuyau d'aspiration ou un adaptateur à about à filetage mâle, selon le cas, sur l'orifice femelle de l'adaptateur de tête de puits : l'orifice est de 1¼ po NPT pour les puits de 2 po, ou bien de 1½ po pour les puits de 3 po.

S'assurer que la paroi extérieure du sommet du cuvelage est exempte de saletés et de bavures. Desserrer les deux vis du fouloir de l'adaptateur de tête de puits afin d'en agrandir la bague d'étanchéité conique suffisamment pour y insérer la tête de puits. Une fois l'adaptateur en place, resserrer les vis du fouloir pour comprimer la bague d'étanchéité contre la tête de puits et en assurer l'étanchéité.

Fixer la pompe à l'adaptateur de tête de puits à l'aide des vis et des joints d'étanchéité fournis. Les pompes verticales sont assujetties avec des goujons et des écrous pour en faciliter la pose.

## TUYAUTERIE DE REFOULEMENT POUR PUIITS PROFONDS



Les pompes à jet pour puits profonds nécessitent une contre-pression pour que leur éjecteur fonctionne correctement. Afin d'obtenir la contre-pression, ou eau motrice, requise, on doit poser un régulateur de pression ou un réducteur de débit quelconque sur la conduite de refoulement, entre la pompe et le premier orifice de refoulement. Il vaut mieux placer le régulateur ou le réducteur aussi près de la pompe que possible. L'absence de réducteur ou de régulateur ou leur mauvais réglage peut causer le désamorçage de la pompe pendant les demandes de pointe comme le remplissage d'une machine à laver ou d'une baignoire ou l'utilisation de robinets d'arrosage.

Dans le cas des pompes de ½ hp, on peut employer simplement un robinet à gaz ou un robinet à tournant sphérique à passage intégral tel que l'AV15 de Goulds.

Quant aux autres pompes à jet horizontales — de ¾ hp et plus — pour puits profonds, on devrait utiliser un régulateur de pression AV22KIT ou AV22, ainsi qu'un jeu de tubes JDW. L'orifice taraudé de l'AV22 permet d'y raccorder le nouveau tube — plus long — du pressostat pour mesurer la pression dans le régulateur (côté aval) plutôt que dans le corps de pompe. Enlever le raccord à compression droit ou coudé du corps de pompe. Employer le bouchon de tuyau fourni avec le JDW ou l'AV22KIT pour obturer la prise de pression du corps de pompe. Ôter le raccord du pressostat. Couper le vieux tube et en enlever le raccord à compression en le faisant glisser (le raccord ne glisse que dans un sens). On peut maintenant réutiliser le raccord à compression coudé avec le nouveau tube sur le pressostat. Visser le nouveau raccord droit à l'AV22 et y raccorder le tube reliant l'AV22 au pressostat.

Les pompes verticales pour puits profonds sont munies d'un régulateur de pression intégré AV21, que l'on n'a qu'à régler.

Une fois que la pompe est amorcée et que la pression de refoulement s'est stabilisée, on devrait ouvrir quelques robinets et régler le régulateur à la pression de réglage prescrite dans la table 1. Pour augmenter la pression, fermer davantage le régulateur AV15 ou AV22, ou bien tourner la vis de l'AV21 en sens horaire un peu plus. Voir la fig. 4 et la table 1.

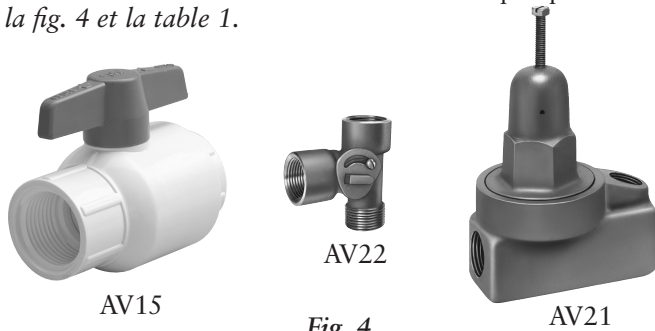


Fig. 4

## GÉNÉRALITÉS — TOUS LES SYSTÈMES



**Installation d'un réservoir HydroPro pour systèmes d'alimentation en eau**  
Avant de remplir le réservoir, en vérifier la pression de l'air précomprimé avec un manomètre pour pneus. Elle devrait être réglée à 2 lb/po<sup>2</sup> de moins que la pression de démarrage de la pompe. Le capuchon de la valve des

réservoirs HydroPro de Goulds Water Technology est un dispositif d'étanchéité primaire. Voir à le reposer après la vérification de la pression. Éviter les vérifications trop fréquentes : la pression baisse de 1-2 lb/po<sup>2</sup> chaque fois. Les pompes à jet Goulds Water Technology sont toutes réglées pour fonctionner dans une plage standard de 30-50 lb/po<sup>2</sup>.

Installer le réservoir sur une surface solide et de niveau.

Une soupape de décharge est recommandée pour tous les systèmes et est obligatoire pour les systèmes dont la pression dépasse 100 lb/po<sup>2</sup>. Sa pression d'ouverture nominale devrait être inférieure à 100 lb/po<sup>2</sup>, mais supérieure à la pression du système, près du réservoir.

Poser la tuyauterie reliant le réservoir à l'orifice de refoulement de la pompe et celle qui relie le réservoir à la tuyauterie de la maison.

*Nota :* Goulds Water Technology ne vend que des réservoirs HydroPro pour systèmes d'alimentation en eau, livrés avec un guide d'installation. Pour les directives détaillées, voir le guide. S'il s'agit d'un réservoir d'une autre marque, s'adresser à son fabricant pour les directives d'installation.

Les réservoirs galvanisés se posent comme les réservoirs avec précompression, sauf qu'ils requièrent une CAA — commande d'admission d'air (*Air Volume Control*) — pour remplacer l'air absorbé par l'eau. La CAA doit être reliée à un orifice déprimogène, sur la pompe. La dépression du côté aspiration de la CAA doit être d'au moins 3 po pendant 15 secondes au démarrage de la pompe. Suivre les directives fournies avec la CAA.

### Amorçage d'un système pour puits peu profonds

Amorcer un système signifie remplir d'eau la tuyauterie d'aspiration et la pompe. La plupart des pompes à jet pour puits peu profonds peuvent pomper l'air et l'évacuer de la conduite d'aspiration, mais aussi prendre quelques minutes pour le faire, selon la hauteur d'aspiration ainsi que le calibre et la longueur de la tuyauterie.

### METTRE LA POMPE À L'AIR LIBRE POUR EN FACILITER L'AMORÇAGE !

Il est plus facile d'amorcer le système si on met la pompe et la tuyauterie à l'air libre pour que l'air puisse s'en échapper. L'eau ne peut entrer dans le système tant que l'air y reste emprisonné !

Remplir la pompe d'eau par l'orifice supérieur du té situé au-dessus de celle-ci après en avoir déposé le bouchon de tuyau ou le raccord réducteur du manomètre. Dans le cas des pompes pour puits peu profonds, on devrait enlever le bouchon de tuyau de ½ po placé sur le dessus du corps de pompe, entre l'orifice d'aspiration et celui de refoulement (ou sur l'adaptateur pour puits peu profonds) pour permettre à l'air de s'échapper pendant le remplissage du corps de pompe. Remplir la pompe et, dans la mesure du possible, tout le tuyau d'aspiration.

Reposer le bouchon de tuyau de ½ po ou le raccord réducteur du manomètre. Entrouvrir le robinet le plus proche de la pompe et du réservoir pour permettre à l'air de sortir du système. Ne pas trop l'ouvrir, car trop d'eau en sortirait et l'on devrait amorcer la pompe de nouveau. Lorsque le tuyau d'aspiration est très long, on doit parfois remplir la pompe à quelques reprises pour l'amorcer. *Aller à Brancher le moteur à la source de courant.*

### Amorçage d'un système pour puits profonds

Amorcer un système pour puits profonds signifie remplir d'eau les tuyaux d'aspiration et d'alimentation en eau motrice ainsi que la pompe. Les pompes multi-étagées ou non pour puits profonds requièrent un amorçage complet avant d'être mises en service. Remplir les tuyaux avant d'y fixer la pompe facilite l'amorçage et fait gagner du temps.

## METTRE LA POMPE À L'AIR LIBRE POUR EN FACILITER L'AMORÇAGE!

Pour s'assurer que l'air peut s'échapper de la pompe pendant le remplissage et l'amorçage complet de celle-ci, il est recommandé, dans le cas des pompes horizontales, de déposer le bouchon de tuyau incliné de 1/8 po situé au-dessus de l'orifice d'aspiration. On devrait amorcer les pompes convertibles (horizontales) pour puits profonds par le té ou le régulateur AV22 monté au-dessus de l'orifice de refoulement. Le té n'est pas fourni par Goulds Water Technology.

Les pompes verticales Goulds Water Technology pour puits profonds sont munies d'un régulateur de pression, dont on utilise l'orifice de raccordement du manomètre pour l'amorçage. La plupart des pompes verticales comportent un bouchon sur le côté de l'adaptateur de moteur. Ce bouchon sert à mettre à l'air libre le logement de garniture mécanique, le point le plus haut du corps de pompe. La dépose du bouchon facilite grandement l'amorçage.



### Brancher le moteur à la source de courant.

L'alimentation en électricité doit être assurée par un circuit de dérivation distinct dont les fusibles ou le disjoncteur conviennent au courant utilisé. Le câblage doit être conforme aux prescriptions du code provincial ou national de l'électricité et à la CSA. La tension d'alimentation, le nombre de phases et les commandes doivent convenir au moteur.



**NE JAMAIS FAIRE FONCTIONNER LA POMPE À SEC, CAR CELA L'ENDOMMAGERAIT ET ANNULERAIT LA GARANTIE! ON DOIT TOUJOURS VERROUILLER LE DISJONCTEUR OU LE SECTIONNEUR (SELON LE CAS) DU CIRCUIT ÉLECTRIQUE EN POSITION OUVERTE (HORS CIRCUIT) AVANT DE PROCÉDER À L'INSTALLATION OU À TOUT TRAVAIL SUR LA POMPE, LE MOTEUR ET LE PRESSOSTAT.**

Enlever le couvercle du pressostat. Brancher les fils d'alimentation (115 ou 230 V, selon la tension d'entrée du moteur) aux bornes Ligne (*Line*) du pressostat. Connecter le fil de terre vert (ou dénudé) à la borne de terre (à vis verte) du pressostat. Que le fil sous tension L1 (généralement le noir) ou le neutre N (habituellement le blanc) soient branchés à l'une ou à l'autre des bornes Ligne du pressostat importe peu, qu'il s'agisse de 115 ou de 230 V. Reposer le couvercle du pressostat. **NOTA** : la tension d'entrée du moteur N'est PAS changée avec le commutateur de tension du pressostat. Voir la fig. 7.

S'assurer que le moteur est câblé en fonction de la tension d'entrée. Tous les moteurs comportent un autocollant près du pressostat pour indiquer la tension du moteur selon le précâblage. Les pompes à jet de 1/2 hp sont précâblées pour 115 V, et celles de 3/4 hp et plus, pour 230 V. On doit changer la tension du moteur au moteur même (sous le couvercle), non au pressostat. S'assurer que le disjoncteur ou le sectionneur est HORS circuit avant d'enlever le couvercle du moteur. Le schéma de câblage figure sur l'étiquette du couvercle de chaque moteur, ainsi que dans le manuel. Voir la fig. 7.

## SYSTÈMES D'AUGMENTATION DE PRESSION

Suivre les directives de base pour les pompes pour puits peu profonds ou les pompes convertibles avec adaptateur pour puits peu profonds. S'il s'agit d'un système pour augmenter la pression de l'eau municipale, poser la tuyauterie conformément à la fig. 5.

### SÉRIES J, JS, JRS OU HSJ

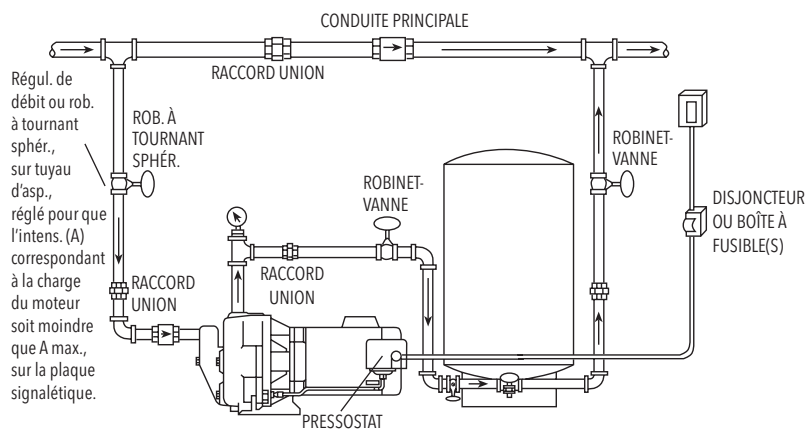


Fig. 5

Si la source d'eau est une citerne ou un réservoir, poser la tuyauterie selon la fig. 6

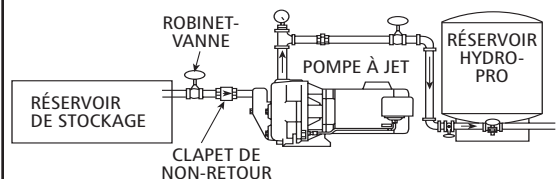


Fig. 6

## ENTRETIEN SAISONNIER

On doit vidanger tout système (pompe, réservoir et tuyauterie) qui sera exposé au gel. Un bouchon de vidange est placé au bas du corps des pompes verticales, sur le côté. Le bas des pompes horizontales peut comporter deux bouchons de vidange : un sur le corps de pompe,

près du raccord de tuyauterie, et l'autre sur l'adaptateur de moteur. Dans le cas des pompes multi-étagées, dotées de un ou de deux bouchons, il faut incliner la pompe ou y injecter de l'air comprimé par un orifice pour chasser toute l'eau des étages.

# TABLE 1

## ÉJECTEUR ET PRESSION DE RÉGLAGE (RÉGULATEUR DE PRESSION) RECOMMANDÉS — PUITES PROFONDS

MODÈLE DE POMPE	SYSTÈMES À TUYAUX JUMELÉS (v. fig. 2)				SYSTÈMES À TUYAUX CONCENTRIQUES (v. fig. 3)					RÉGUL. DE PRESSION RECOMM. (v. fig. 4)	
	ÉJECTEUR	DIAM. MIN. DU PUITES (po)	RÉGUL. DE PRESSION RÉGLÉ À (lb/po <sup>2</sup> )	PROF. DE L'ÉJECT. (pi)	ÉJECTEUR	DIAM. DU PUITES (po)	RÉGUL. DE PRESSION RÉGLÉ À (lb/po <sup>2</sup> )	PROF. DE L'ÉJECT. (pi)	ADAPT., TUYAUX CONC.		
<b>J5</b>	FT4-13	4	30	30-40	FP2-13	2	30	30-40	AWJ2	AV15 ou AV22KIT	
	FT4-31	4	30	30-60	FP2-31	2	30	30-60			
	FT4-08	4	30	60-90	FP2-08	2	30	60-80			
	FT5-14	4½	30	50-90	FP3-36	3	30	30-70	AWCJ3		
					FP3-24	3	30	50-80			
<b>J7</b>	FT4-14	4	28	30-60	FP2-40	2	30	30-60	AWJ2	AV22KIT ou AV22 et JDW	
	FT4-34	4	29	70-90	FP2-47	2	32	60-90			
	FT4-18	4	30	90-110							
	FT5-47	4½	28	30-70	FP3-53	3	27	30-70	AWCJ3		
	FT5-48	4½	40	70-110	FP3-54	3	30	70-110			
<b>J10</b>	FT4-44	4	31	30-60	FP2-48	2	35	30-60	AWJ2	AV22KIT AV22 et JDW	
	FT4-43	4	33	60-80	FP2-43	2	36	60-100			
	FT4-18	4	35	80-110							
	FT5-49	4½	30	30-80	FP3-55	3	28	30-80	AWCJ3		
	FT5-11	4½	32	80-120	FP3-14	3	32	80-120			
<b>J15</b>	FT5-12	4½	35	30-70	FP3-16	3	34	30-60	AWCJ3	AV22KIT AV22 et JDW	
	FT5-11	4½	40	70-140	FP3-18	3	34	60-90			
					FP3-21	3	34	90-150			
					FP3-24	3	39	100-170			
<b>SJ07 et HSJ07</b>	FT4-48	4	37	30-70	FP2-51	2	40	30-70	AWD2	SJ – AV21 est intégré; HSJ – utiliser AV22KIT.	
	FT4-47	4	40	70-90	FP2-50			70-90			
	FT4-06	4		90-130	FP2-06			90-130			
					FP3-40	3	36	30-80	AWD3		
				FP3-42	80-130						
<b>SJ10 et HSJ10</b>	FT4-47	4	40	30-70	FP2-50	2	45	30-60	AWD2		
	FT4-24	4	43	70-110	FP2-07			60-110			
	FT4-08	4		110-150	FP2-08			110-150			
					FP3-40	3	40	30-90	AWD3		
				FP3-49	43			90-150			
<b>SJ15 et HSJ15</b>	FT4-45	4	62	30-90	FP2-49	2	62	30-90	AWD2		
	FT4-30	4	65	90-130	FP2-30			65			90-130
	FT4-29	4	67	130-190	FP2-29			67			130-180
					FP3-47	3	62	30-100	AWD3		
					FP3-46			64		100-150	
				FP3-34		66	150-210				
<b>SJ20 et HSJ20</b>	FT4-45	4	76	30-100	FP2-49	2	76	30-100	AWD2		
	FT4-30	4	78	100-150	FP2-30			78		100-150	
	FT4-29	4	80	150-200	FP2-29			80		150-200	
					FP3-47	3	75	30-110	AWD3		
					FP3-46			78		110-170	
				FP3-34		80	170-230				

**NOTA:** des adaptateurs pour écarts pompe-axe de puits sont offerts. Pour plus de détails, voir la section des raccords et accessoires pour pompes à jet et submersibles, dans le catalogue Goulds Water Technology, ou consulter le distributeur.



**TABLE 1** (suite)

**ÉJECTEUR ET PRESSION DE RÉGLAGE (RÉGULATEUR DE PRESSION) RECOMMANDÉS  
— PUIITS PROFONDS**

MODÈLE DE POMPE	SYSTÈMES À TUYAUX JUMELÉS (v. fig. 2)				SYSTÈMES À TUYAUX CONCENTRIQUES (v. fig. 3)					RÉGUL. DE PRESSION RECOMM. (v. fig. 4)	
	ÉJECTEUR	DIAM. MIN. DU PUIIS (po)	RÉGUL. DE PRESSION RÉGLÉ À (lb/ps²)	PROF. DE L'ÉJECT. (pi)	ÉJECTEUR	DIAM. DU PUIIS (po)	RÉGUL. DE PRESSION RÉGLÉ À (lb/ps²)	PROF. DE L'ÉJECT. (pi)	ADAPT., TUYAUX CONC.		
<b>JRD5</b>	FT3-09	3	30	30-50	FP2-13	2	30	30-50	AWJ2	AV15 ou AV22KIT	
	FT4-13	4	30	30-50							
	FT4-31	4	30	30-70	FP2-31	2	30	30-60			
	FT4-08	4	30	60-90	FP2-08	2	30	60-80			
	FT5-14	4½	30	70-90							
<b>JRD7</b>	FT4-14	4	27	30-60	FP2-40	2	30	30-60	AWJ2	AV22KIT AV22 et JDW	
	FT4-34	4	29	60-90	FP2-47	2	32	60-90			
	FT4-18	4	30	90-110							
	FT5-47	4½	27	30-70	S/O						
	FT5-48	4½	30	70-110	S/O						
<b>JRD10</b>	FT4-44	4	31	30-60	FP2-48	2	35	30-60	AWJ2	AV22KIT AV22 et JDW	
	FT4-43	4	33	60-80	FP2-43	2	36	60-100			
	FT4-18	4	35	80-110							
	FT5-49	4½	28	30-80	S/O						
	FT5-11	4½	32	80-120	S/O						
<b>VJ05</b>	FT4-46	4	23	30-60	FP2-38	2	23	30-60	AWD2	AV21 est intégré.	
	FT4-08	4		60-90	FP2-08			60-90			
			30-60	FP3-42	3	30-60		AWD3			
			60-100	FP3-09		60-100					
<b>VJ07</b>	FT4-47	4	34	30-60	FP2-50	2	34	30-60	AWD2		
	FT4-46	4		60-90	FP2-47			60-100			
	FT4-06	4	40	90-110	FP2-09	3		100-120	AWD3		
					FP3-40			30-60			
					FP3-43			60-130			
<b>VJ10</b>	FT4-14	4	34	30-90	FP2-48	2	36	30-60	AWD2		
	FT4-09	4	36	90-120	FP2-43			60-100			
					FP2-08	100-120					
					FP3-40	3		30-90		AWD3	
					FP3-49			36			90-140

S/O = sans objet. **NOTA** : des adaptateurs pour écarts pompe-axe de puits sont offerts. Pour plus de détails, voir la section des raccords et accessoires pour pompes à jet et submersibles, dans le catalogue Goulds Water Technology, ou consulter le distributeur.

**TABLE 2**
**ÉJECTEURS DE POMPES CONVERTIBLES POUR PUIITS PEU PROFONDS**

MODÈLE DE POMPE	ÉJECTEUR	COMPREND	
		TUYÈRE	VENTURI
J5	FH5 (standard)	AN017	AD3731
J5	FH5H (haute pression)	AN019	AD3528
JRD5	FH5JRD	AN018	AD3731
J7, JRD7	FH7	AN018	AD3536
J10, JRD10	FH10	AN018	AD3538
J15	FH15	AN022	AD3542
HSJ07N	FHSJ07	AN012	AD3432
HSJ10N	FHSJ10	AN012	AD3437
HSJ15N	FHSJ15	AN012	AD3439
HSJ20N	FHSJ20	AN012	AD3448

**AVERTISSEMENT : COUPER L'ALIMENTATION ÉLECTRIQUE AVANT DE VÉRIFIER LA TENSION. NE PAS CHANGER CELLE-CI TANT QUE LA POMPE EST SOUS TENSION.**

**LE CHANGEMENT DE TENSION SE FAIT AU MOTEUR MÊME (SOUS LE COUVERCLE), NON AU PRESSOSTAT.**

### COMMUTATION DE TENSION AU BORNIER

Le bornier des moteurs A.O. Smith pour pompes à jet possède un commutateur de tension 115 V ou 230 V facile à utiliser. Les moteurs de ½ hp sont précâblés pour 115 V. Si on alimente en 230 V un moteur de 115 V, ses enroulements grilleront en quelques secondes et ne seront pas couverts par la garantie. Les moteurs plus puissants sont précâblés pour 230 V.

#### Bornier

- L1 possède deux (2) prises mâles, dont l'une est connectée à un fil de pressostat.
- L2 a deux (2) prises mâles, dont l'une est branchée à un fil de pressostat, et l'autre, au commutateur de tension si l'on choisit 115 V.
- A est muni d'une prise mâle à laquelle le commutateur de tension est toujours relié.

#### Commutateur de tension (*l'inobservation des directives suivantes peut abîmer les enroulements*)

- 115 V — Enficher le commutateur de tension sur A et L2 (côté fil noir).
- 230 V — Enficher le côté fil noir du commutateur de tension sur A. L2 est alors libre.

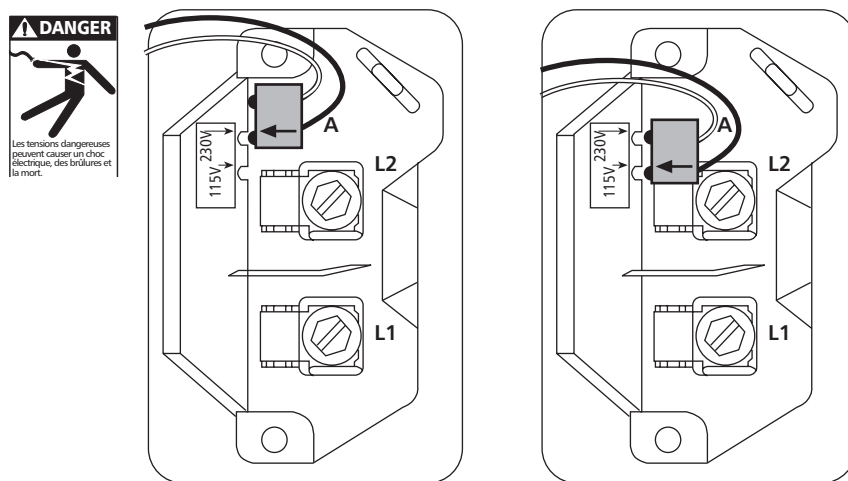


Fig. 7

### BORNIER ET COMMUTATEUR DE TENSION DES MOTEURS A.O. SMITH / CENTURY



#### ■ Pompes précâblées selon la puissance :

- ½ hp — 115 V ;
- ¾ à 1½ hp et plus — 230 V ;
- 2 hp — 230 V seulement.

### DONNÉES SUR LES MOTEURS A.O. SMITH / CENTURY

Numéro GWT	Pour le modèle de pompe	Numéro A.O. Smith	hp	Volts	N° de phases	Facteur de surcharge	Courant (A) de charge max.	Watts	Disjoncteur
J04853L	J5(S), GB	C48A93A06	½	115/230	1	1,6	10,8/5,4	968	25/15
J05853L	J7(S), GB, GT07, (H)SJ07, HSC07	C48A94A06	¾	115/230	1	1,5	14,8/7,4	1336	30/15
J06853L	J10(S), GB, GT10, (H)SJ10, HSC10	C48A95A06	1	115/230	1	1,4	16,2/8,1	1592	30/20
J07858L	J15(S), GB, GT15, HSJ15, HSC15	C48C53A06	1½	115/230	1	1,3	22,0/11,0	1950	40/20
Ⓢ J08854L	HSJ20, GB, GT20, HSC20	K48A34A06	2	230	1	1,4	12,9	2100	25
J09853	XSH30, GT30	7-196427-20	3	230	1	1,15	13,3	3280	30
SFJ04860	JRS5, JRD5, JB05	C48C04A06	½	115/230	1	1,6	12,6/6,3	990	25/15
SFJ05860	JRS7, JRD7, JB07	C48C05A06	¾	115/230	1	1,5	14,8/7,4	1200	30/15
SFJ06860	JRS10, JRD10, JB10	C48C06A06	1	115/230	1	1,4	16,2/8,1	1400	30/20

Ⓢ 230 V seulement à partir de juillet 1998

## EMPLOI D'UN TUYAU-RALLONGE AVEC LES POMPES À JET POUR PUIXS PROFONDS

Si le débit d'une pompe à jet pour puits profonds dépasse le débit entrant du puits, il en résultera un rabattement (baisse de niveau) excessif, donc l'aspiration d'air et le désamorçage de la pompe. On évitera cela en posant un tuyau-rallonge de 34 pi entre l'éjecteur et le clapet de pied. Étant donné que le débit de refoulement de la pompe diminue à mesure que la hauteur d'aspiration (le rabattement) augmente, le débit du puits et celui de la pompe s'équilibreront à une profondeur quelconque, entre l'éjecteur et le clapet de pied. Le dessin ci-dessous montre le pourcentage du débit de refoulement nominal à certaines profondeurs, sous l'éjecteur, qui devrait normalement être à au moins 5 pi sous le niveau statique.

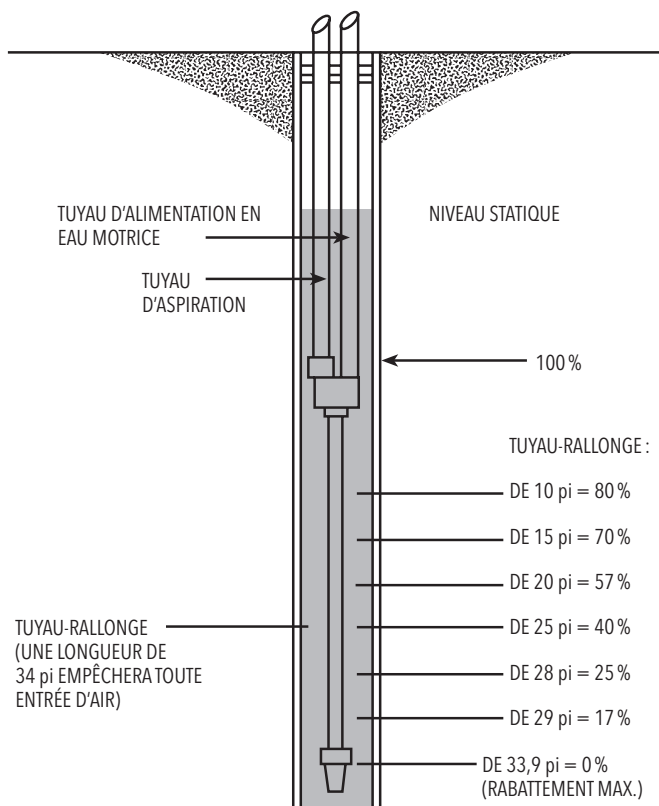


Fig. 8

## VÉRIFICATION DE LA HAUTEUR D'ASPIRATION DANS UN PUIXS PEU PROFOND

Un vacuomètre mesure la hauteur d'aspiration (qui comprend la perte de charge) en pouces de mercure (Hg). Sur le vacuomètre, une valeur de dépression de 1 po équivaut à une hauteur d'aspiration de 1,13 pi au niveau de la mer. En pratique, la hauteur d'aspiration au niveau de la mer est de 25 pi (22 po de Hg), dont on soustrait 1 pi par 1 000 pi d'altitude.

Poser le manovacuumètre sur l'orifice de 1/8 po de l'adaptateur pour puits peu profonds ou sur celui de la pompe pour puits peu profonds, entre l'orifice d'aspiration et celui de refoulement. Il s'agit de l'orifice de 1/8 po servant à raccorder une commande d'admission d'air.

Explication des valeurs mesurées par le manovacuumètre :

### Dépression élevée (22 po et plus)

- Tuyau d'aspiration enfoncé dans la boue
- Clapet de pied ou de non-retour bloqué en position fermée
- Hauteur d'aspiration du puits supérieure à celle de la pompe

### Dépression faible ou nulle (0)

- Tuyau d'aspiration non en contact avec l'eau
- Tuyauterie d'aspiration non étanche (vérifier les joints et surtout les raccords unions)

### Déplacements brusques de l'aiguille

- Puits dégageant du gaz
- Entrée d'air dans le tuyau d'aspiration
- Débit du puits inférieur au débit de la pompe (réduire le débit de celle-ci à l'aide d'un robinet à tournant sphérique posé sur le tuyau d'aspiration et réglé pour augmenter la dépression, qui ne doit cependant pas dépasser 22 po de Hg)

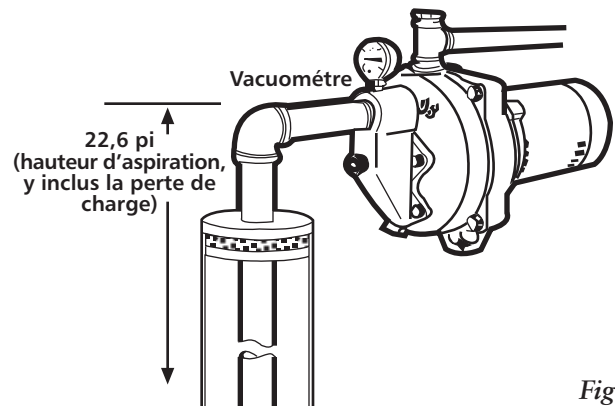


Fig. 9

Une dépression de 20 po sur le vacuomètre (monté du côté aspiration de la pompe) indiquerait que la hauteur d'aspiration est de 22,6 pi.

$$20 \text{ po} = 20 \times 1,13 \text{ pi} = 22,6 \text{ pi}$$

## DÉPANNAGE



OMETTRE LE VERROUILLAGE DU DISJONCTEUR DU CIRCUIT ÉLECTRIQUE EN POSITION OUVERTE AVANT D'EFFECTUER TOUT TRAVAIL D'ENTRETIEN SUR LA POMPE PEUT CAUSER UN CHOC ÉLECTRIQUE, DES BRÛLURES ET LA MORT.

### ANOMALIE

NON-FONCTIONNEMENT DU MOTEUR  
(V. causes probables 1 à 5)

DÉBIT DE REFOULEMENT FAIBLE OU NUL  
(V. causes probables 6 à 11)

FONCTIONNEMENT SANS ARRÊT  
(V. causes probables 9 à 13)

FONCTIONNEMENT CYCLIQUE EXCESSIF  
(V. causes probables 14 à 17)

### CAUSE PROBABLE

1. Protecteur thermique du moteur déclenché
2. Disjoncteur ouvert ou fusible(s) sauté(s)
3. Roue(s) bloquée(s)
4. Moteur mal connecté ou commutateur de tension mal placé
5. Moteur défectueux
6. Pompe non amorcée, immersion insuffisante du tuyau d'aspiration, entrée d'air dans le tuyau d'aspiration
7. Tuyau d'aspiration ou de refoulement obstrué ou robinet(s) fermé(s)
8. Basse tension électrique réduisant la vitesse de rotation du moteur
9. Roue(s) usée(s) ou engorgée(s), éjecteur non posé, éjecteur obstrué
10. Hauteur de charge du système trop élevée
11. Hauteur ou perte d'aspiration excessives
12. Pressostat obstrué ou mal réglé
13. Fuite dans la tuyauterie de refoulement ou de la maison
14. Clapet de pied ou de non-retour défectueux (sur le tuyau d'aspiration)
15. Réservoir avec précompression trop plein
16. Pompe distante de plus de 5 pi du réservoir
17. Robinets causant une perte de charge élevée entre la pompe et le réservoir (n'employer que des robinets-vannes, grand ouverts)

### GARANTIE LIMITÉE DE GOULDS WATER TECHNOLOGY

La présente garantie s'applique à chaque pompe de système d'alimentation en eau fabriquée par Goulds Water Technology.

Toute pièce se révélant défectueuse sera remplacée sans frais pour le détaillant durant la période de garantie suivante expirant la première: douze (12) mois à compter de la date d'installation ou dix-huit (18) mois à partir de la date de fabrication.

Le détaillant qui, aux termes de la présente garantie, désire effectuer une demande de règlement doit s'adresser au distributeur Goulds Water Technology agréé chez lequel la pompe a été achetée et fournir tous les détails à l'appui de sa demande. Le distributeur est autorisé à régler toute demande par le biais du service à la clientèle de Goulds Water Technology.

#### La garantie ne couvre pas :

- a) les frais de main-d'œuvre ni de transport ni les frais connexes encourus par le détaillant;
- b) les frais de réinstallation du matériel réparé;
- c) les frais de réinstallation du matériel de remplacement;
- d) les dommages indirects de quelque nature que ce soit;
- e) ni les pertes découlant de la panne.

#### Aux fins de la garantie, les termes ci-dessous sont définis comme suit :

- 1) « Distributeur » signifie une personne, une société de personnes, une société de capitaux, une association ou autre entité juridique servant d'intermédiaire entre Goulds Water Technology et le détaillant pour les achats, les consignations ou les contrats de vente des pompes en question.
- 2) « Détaillant » veut dire une personne, une société de personnes, une société de capitaux, une association ou autre entité juridique dont les activités commerciales sont la vente ou la location de pompes à des clients.
- 3) « Client » désigne une entité qui achète ou loue les pompes en question chez un détaillant. Le « client » peut être une personne, une société de personnes, une société de capitaux, une société à responsabilité limitée, une association ou autre entité juridique se livrant à quelque activité que ce soit.

**LA PRÉSENTE GARANTIE SE RAPPORTE AU DÉTAILLANT SEULEMENT.**

**xylem**  
Let's Solve Water

Xylem Inc.  
2881 East Bayard Street Ext., Suite A  
Seneca Falls, NY 13148  
Téléphone: (866) 325-4210  
Télécopie: (888) 322-5877  
www.gouldswatertechnology.com

Goulds est une marque déposée de Goulds Pumps, Inc. et est utilisé sous le permis.  
© 2012, Xylem Inc. IM102 Révision numéro 5 Mai 2013