

HSJ REPAIR PARTS

| Part No. | Part Name | Pattern No. |
|----------|--|-------------|
| ① 1K201 | Casing (4 bolt S.W.A.) | 59160 |
| 1K204 | Intermediate stage | 59157 |
| 1K206 | Motor adapter | 59156 |
| 2K289 | Impeller - ¾ and 1½ HP HSJ models | |
| 2K290 | Impeller - 1 and 2 HP HSJ models | |
| 4K62 | Adapter - shallow well (4 bolt) | |
| 4K308 | Foot - old style (cast) | |
| 4K327 | Wear ring | |
| ② 4K328 | Sleeve | 55548 |
| ② 4K329 | Coverplate - 1 per stage | |
| 4K331 | Shaft extension - 2 stage, ¾ and 1 HP | |
| 4K332 | Shaft extension - 3 stage, 1½ and 2 HP | |
| 4K376 | Foot - (stamped) | |
| 15K60 | Pump Base Assembly with Rubber Channel Replaces foot 4K408 | |
| 4K379 | Retainer - shaft sleeve assembly | |
| 5K7 | Deflector | |
| 5K147 | O-ring - motor adapter bolts | |
| 5K108 | Gasket - S.W. adapter (4 bolt) | |
| 5K178 | O-ring - casing and intermediate stage | |
| 6K1 | Pipe plug ⅛" NPT | |
| 6K2 | Pipe plug ¼" NPT | |
| 6K24 | Switch connector with nut | |
| 6K25 | Comp. fitting ⅛" NPT x ¼" tubing | |
| 6K36 | Comp. fitting elbow ⅛" NPT x ¼" tubing | |
| 6K45 | Reducing bushing ¼" x 1" NPT | |
| 6K68 | Pipe plug ½" NPT | |
| 6K94 | Elbow fitting (tubing) | |
| 6K102 | Tubing | |
| 10K10 | Shaft seal assembly | |
| 13K43 | Impeller bolt | |
| 13K71 | Bolt - foot to adapter (old foot) | |
| 13K81 | Bolt - adapter to motor | |
| 13K1 | Bolt - S.W. adapter (4 bolt) | |
| 13K212 | Washer - impeller and adapter | |
| 13K213 | Bolt - casing to adapter, 2 stage models | |
| 13K214 | Bolt - casing to adapter, 3 stage models | |
| 13K252 | Bolt - foot to adapter | |

| Part No. | Part Name | Pattern No. |
|----------|---|-------------|
| AG2 | Pressure gauge - 200 PSI maximum | |
| AG5 | Pressure gauge - 100 PSI maximum | |
| AS4 | Pressure switch - ¾, 1, 1½ HP rated | |
| AS10 | Pressure switch - 2 HP rated | |
| AV22 | Pressure control valve | |
| AA8-7 | Air volume control valve - used with galvanized tanks | |

MOTOR CODES

| HP | Model | Order No. |
|----|-----------------|-----------|
| ¾ | HSJ07N, 2 stage | J05853R |
| 1 | HSJ10N, 2 stage | J06853R |
| 1½ | HSJ15N, 3 stage | J07858R |
| 2 | HSJ20N, 3 stage | J08854R |

SHALLOW WELL FITTINGS PACKAGES

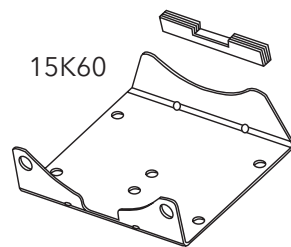
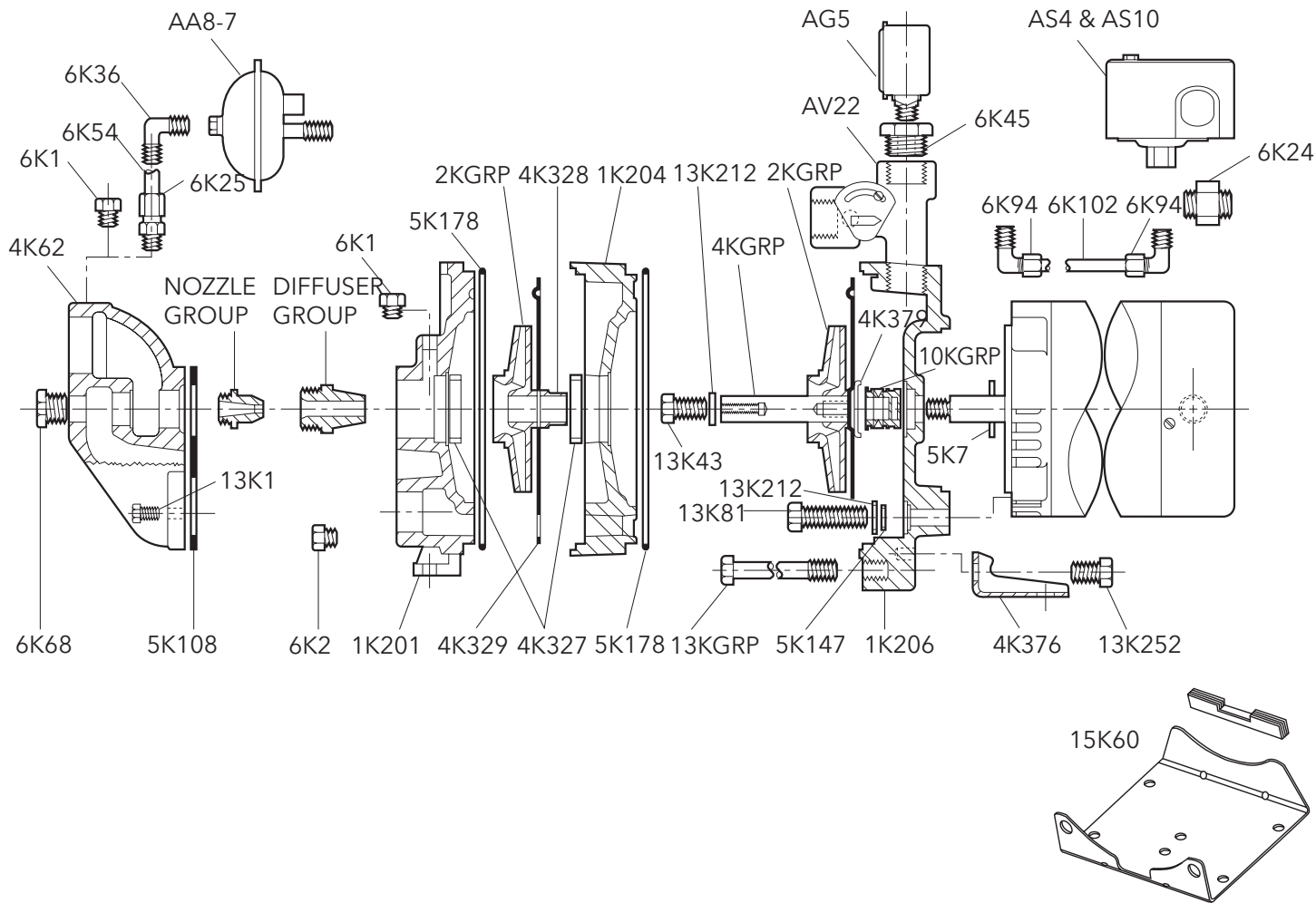
| HP | Model | Nozzle Group | Diffuser Group |
|----|--------|--------------|----------------|
| ¾ | HSJ07N | AN012 | AD3432 |
| 1 | HSJ10N | AN012 | AD3437 |
| 1½ | HSJ15N | AN012 | AD3439 |
| 2 | HSJ20N | AN012 | AD3448 |

2 BOLT SHALLOW WELL ADAPTER - OBSOLETE (NOT AVAILABLE)

| | |
|-------|--|
| 4K312 | Adapter - shallow well (2 bolt) |
| 5K173 | Gasket - shallow well adapter (2 bolt) |
| 13K1 | Bolt - shallow well adapter (2 bolt) |

① Casing for 2 bolt shallow well adapter not available. Order 1K261 kit which includes pump casing, 4 bolt adapter, gasket and bolts.

② Includes 4K379, 13K43 and 13K212.



Xylem Inc.

2881 East Bayard Street Ext., Suite A, Seneca Falls, NY 13148

Phone: (866) 325-4210 Fax: (888) 322-5877

www.xylem.com/brands/gouldswatertechnology

