

Installation/Operation/Parts

For further operating, installation, or maintenance assistance:

888-987-8677 US
800-387-4386 CA

English Pages 2-14

Installation/Fonctionnement/Pièces

Pour plus de renseignements concernant l'utilisation, l'installation ou l'entretien,

(888) 987-8677 US
(800) 387-4386 CA

Français Pages 15-27

Instalación/Operación/Piezas

Para mayor información sobre el funcionamiento, instalación o mantenimiento de la bomba:

888-987-8677 US
800-387-4386 CA

Español..... Páginas 28-40

Important Safety Instructions

SAVE THESE INSTRUCTIONS - This manual contains important instructions that should be followed during installation, operation, and maintenance of the product.

⚠ This is the safety alert symbol. When you see this symbol on your pump or in this manual, look for one of the following signal words and be alert to the potential for personal injury!

⚠ DANGER indicates a hazard which, if not avoided, *will* result in death or serious injury.

⚠ WARNING indicates a hazard which, if not avoided, *can* result in death or serious injury.

⚠ CAUTION indicates a hazard which, if not avoided, *can or may* result in minor or moderate injury.

NOTICE addresses practices not related to personal injury.

Carefully read and follow all safety instructions in this manual and on pump.

Keep safety labels in good condition. Replace missing or damaged safety labels.

To avoid risk of serious bodily injury due to electrical shock or burns and property damage due to flooding, read the safety instructions carefully before installing pump.

⚠ WARNING **Battery acid is corrosive. Do not spill on skin, clothing, or battery charger.** Wear eye and head protection when working with battery. Connect and disconnect DC output terminals only after removing the charger from the AC outlet. Never allow the DC terminals to touch each other.

⚠ WARNING **Hazardous Voltage. Can cause severe or fatal electrical shock.** Do not plug in or unplug battery charger while standing on a wet floor or in water. Be sure one hand is free when plugging in or unplugging charger. If basement floor is wet, disconnect power to basement before walking on floor.

⚠ CAUTION **Risk of flooding. Do not run pump dry.** To do so will damage seals and can cause leaking and property damage.

Follow local and/or national plumbing and electrical codes when installing the system. A ground fault circuit interrupter (GFCI) is recommended for use on any electrical appliance submerged in water.

Use this system only for backup sump pump duty in a residential application. It is not designed as a primary sump pump.

Do not lift pump by electrical cord.

⚠ WARNING **Risk of electrical shock.** Do not lift the pump by the electrical cord; lift pump only by the discharge pipe, lifting ring or handle on the pump. Lifting by the cord can damage the cord.

Pump clear water only with this pump.

Pump is permanently lubricated at the factory. Do not try to lubricate it!

Keep battery charger and battery box off of the floor and in a dry, cool, well ventilated area.

NOTICE: If a Carbon Monoxide (CO) sensor is installed, it must be at least 15 feet away from battery charger in order to avoid nuisance CO alarms. Please refer to your CO detector's installation guidelines for more information.

To avoid danger of fire or explosion, keep sparks and flame (pilot light) away from battery.

Maximum vertical pumping distance is 14 feet (4.3M) for Model MBSP-2.

Make sure sump is clear of debris. Debris can damage the pump which can result in flooding.

GENERAL INFORMATION

The battery backup sump system is not a substitute for your primary sump pump. It is designed to temporarily backup your primary sump pump during a power outage or other problem which prevents normal operation of the primary pump. Do not use this system to pump flammable liquids or chemicals. Pump clear water only with this pump.

Keep the battery charger dry and protected from damage.

This system is designed to work with a deep cycle sealed maintenance free lead-acid AGM battery. It will also work with a flooded lead acid battery. Gel and Sealed flooded lead acid batteries are **not recommended**. In an emergency (such as an extended power outage) which depletes the system deep cycle battery, your automobile battery may be temporarily substituted. Be sure to replace the system deep cycle battery as soon as possible. Use of an automobile battery instead of a deep cycle battery in this system will significantly reduce the system's total performance. Automobile batteries are not designed for this type of application and will be quickly ruined by the repeated charge/discharge cycling.

NOTICE: This system is not designed for applications involving salt water, brine, or where fish may be present! Use with these will void warranty.

California Proposition 65 Warning

⚠ WARNING This product and related accessories contain chemicals known to the State of California to cause cancer, birth defects or other reproductive harm.

BASIC TOOLS AND PARTS NEEDED (Purchase Separately)

- Channel locks or large adjustable pliers
- Tape measure
- Socket wrench or 5/16" nut driver
- Side cutters
- Hacksaw (to cut PVC pipe)
- Medium size pliers
- Slotted screwdriver
- Phillips head screwdriver
- Pencil or marker
- PTFE pipe thread sealant tape
- PVC glue (solvent weld)
- PVC pipe cleaner
- Cloth towel
- Plastic fittings
- Check valve(s) - 1 or 2 depending on installation
- 38-120 Ampere-Hour Storage or Deep Cycle Battery

Required Battery Capacity:

For best results, use the following AGM Storage Batteries:

Part	Amp-Hour	Gal/Charge at 10'	Approx Run Time
BAT40	40	3000	4.5 Hours
BAT75	75	7000	10.3 Hours

- Unit equipped with dual battery capability
- Maximum amp-hour: 120

NOTICE: The charger will not fully charge batteries with excessive amp hour ratings without resetting system.

MBSP-2 Performance

Head in Feet	0	5	10	13.35
Head in Meters	0	1.5	3	
GPM	34	23	10	0
LPM	129	87	38	0

BATTERY BACKUP SYSTEM (BBU) INSTALLATION AND OPERATION

NOTICE:

- Install this system during a time when the primary pump will not be needed. Gather all supplies before starting. Read all warnings and installation steps before you start.
- Be prepared for water to leak from the coupling or piping when disassembling or cutting the discharge pipe. Protect system components, tools and supplies from getting wet. Dry any work areas that get wet.

NOTICE: Study pages 4-6 to determine which installation method will be best for you. The "Separate Discharge" (Figure 2, Page 4), installation is recommended.

NOTICE: Check your local codes and ordinances regarding waste water disposal (especially when running the pump discharge outside the house) before you start. The installation must conform to all legal requirements.

If possible, install the BBU so that the discharge goes directly outdoors (separate discharge pipe from the primary sump pump discharge pipe). If this is not a practical option, see the "Common Discharge" (Figure 3, Page 4) option.

NOTICE: For ALL installations, once the installation is complete, run both the primary sump pump and the BBU through at least one complete cycle to make sure that everything operates correctly.

⚠ WARNING Personal injury and flood hazard. Do not turn the pump on until all the fittings are glued and the glue has dried. Loose fittings can explode off of pipes and cause personal injury and flooding.

⚠ WARNING Risk of electrical shock. At the circuit breaker or fuse box, turn off the electrical power to the sump pump before beginning this installation.

Setup

1. Locate the high water level in your sump pit (the water level at which the existing (primary) sump pump starts - see Figure 1). Turn off power to pump and mark this point on the discharge pipe with a pencil or marker.
2. Drain the sump pit as far as possible without running the pump dry. Do this by:
 - A. PIGGYBACK SWITCH: Unplug the pump and switch from the outlet, then unplug the pump from the piggyback switch. Reset the circuit breaker or reinstall the fuse and plug the pump directly into the outlet. The pump will start. Drain the pit and unplug the pump. OR
 - B. NO PIGGYBACK SWITCH: Reset the circuit breaker or reinstall the fuse and use a non-conducting broom handle or stick to raise the float switch; the pump should start. Drain the pit and then release the switch.
3. When the pit has drained, turn off (open) the circuit breaker or remove the fuse again to avoid electrical shock while working on the installation.

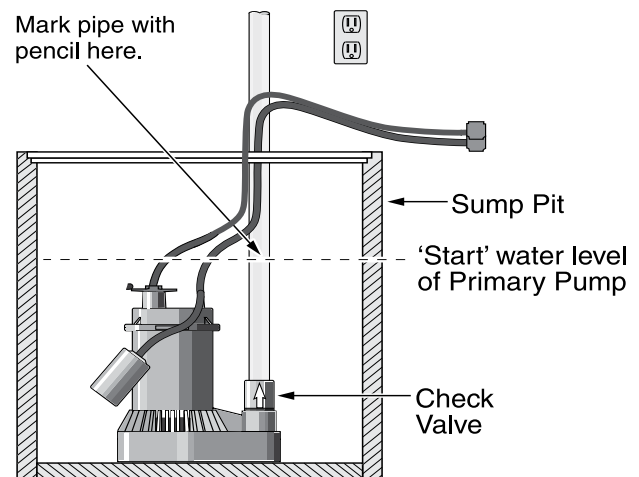


Figure 1: Mark pipe at 'start' water level

“Separate Discharge”

NOTICE:

Check Valve Flapper(s) must swing AWAY and flow arrow(s) must point AWAY from pump being protected.

The water level when the switch shuts off must be above the BBU pump intake.

* Supplied with the Battery Backup System.

Items in italics must be purchased separately.

**Not to scale.
Wiring omitted for clarity.**

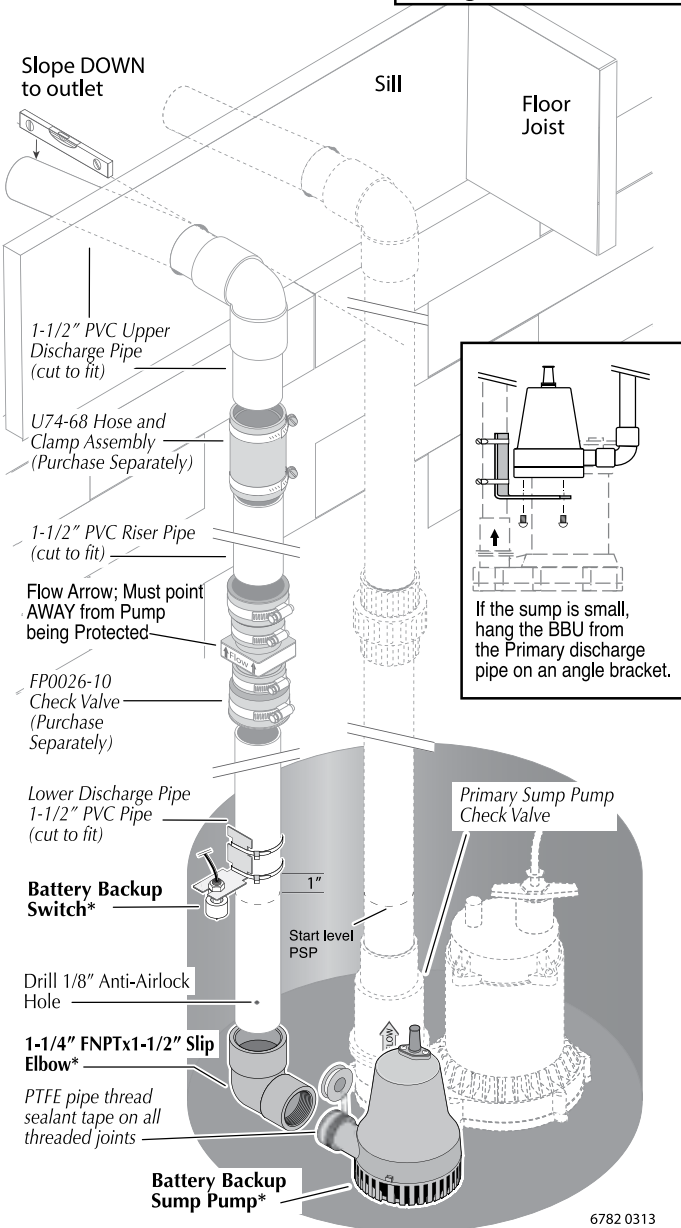


Figure 2: Typical installation with separate discharge pipes.

Common Discharge

NOTICE: In this installation, if the Primary Sump Pump (PSP) does not have a check valve installed below the wye, you MUST install a check valve for the PSP as shown. This prevents backflow of water into the sump from the Batter Backup Unit. Check Valve Flapper(s) must swing AWAY and flow arrow(s) must point AWAY from the pump being protected.

The water level when the switch shuts off must be above must be above the BBU pump intake.

**Not to scale.
Wiring omitted for clarity.**

Typical installation, assembled.

Both check valves must be installed on the pump side of the wye.

* Supplied with the Battery Backup Unit. *Items in italics must be purchased separately.*

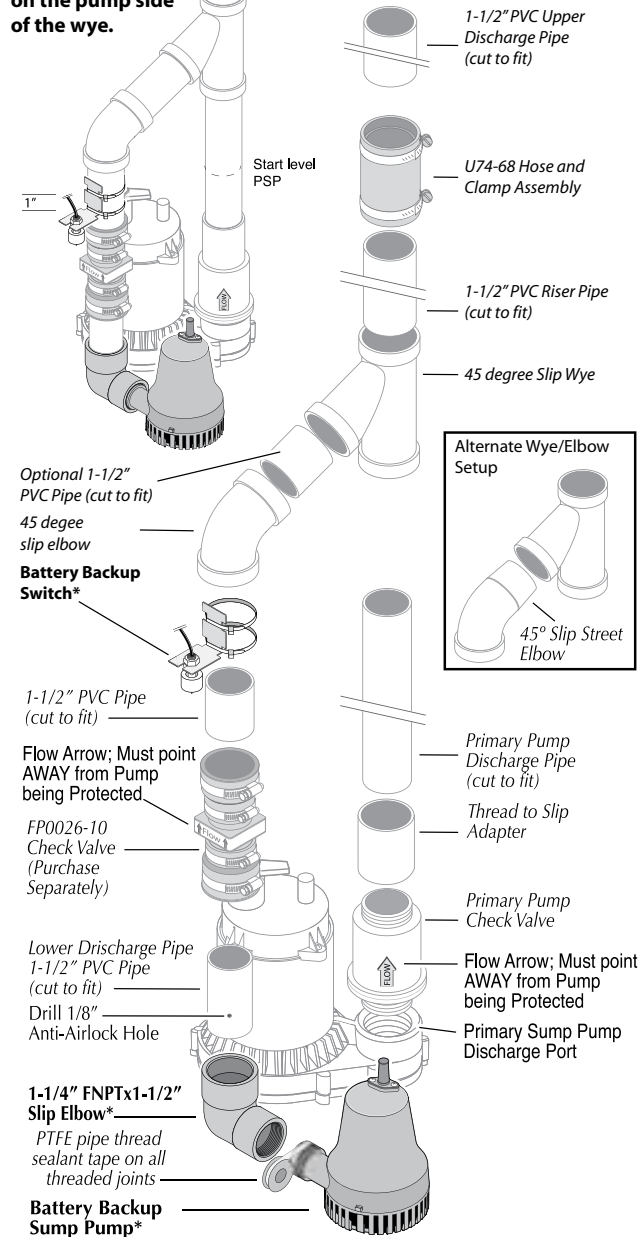


Figure 3: Typical installation with common discharge pipe.

INSTALLATION (Typical): Separate Discharge

▲WARNING Risk of electrical shock. Can shock, burn, or kill. Unplug the primary sump pump before beginning this procedure.

NOTICE: Allow for overlap when cutting piping and run a trial (dry) fitting before you glue.

1. Use PTFE pipe thread sealant tape on male ends of discharge pipe. Thread the 1-1/4" x 1-1/2" elbow (supplied) onto the discharge. When tight, the elbow must point up.
2. If possible, install the Battery Backup Unit (BBU) on the floor of the sump; be sure that the two pumps do not touch each other and do not interfere with switch operation.
NOTICE: If debris or gravel is present in the bottom of the sump pit that could get sucked up into the pump, set both the primary sump pump and the BBU up on bricks or cinder blocks to prevent clogging.
3. If the sump is too small to allow both pumps to sit on the bottom of the sump, install an angle bracket on the primary sump pump's discharge pipe with stainless steel hose clamps. Mount the backup pump on the angle bracket. See Figure 1, "Separate Discharge".
4. Cut a piece of 1-1/2" PVC pipe to reach from the back-up pump discharge elbow to about one (1) foot above the basement floor. This is the lower discharge pipe.
5. To prevent airlocking the pump during operation, drill a 1/8" hole in the lower discharge pipe about 2" above the bottom of the pipe (below floor level).
6. Install FP0026-10 check valve (purchase separately) on the upper end of the pipe. Tighten the hose clamps securely. BE SURE that the flow arrows point UP (away from the BBU). If they point down, the valve will not pass water and the pump will not work.
7. Cut a short length of 1-1/2" PVC pipe for a riser pipe and clamp it into the top of the check valve.
8. Install a U74-68 Hose and Clamp Assembly on the top of the riser pipe. For 1-1/2" pipe, remove and discard the short piece of 1-1/4" hose in the Hose and Clamp Assembly. Leave the hose clamps loose and slide the Assembly down below the top of the riser pipe.
9. Determine where you want the discharge to exit the basement. At that point, drill the necessary holes (large enough to have clearance for a 1-1/2" pipe) to allow you to run the discharge pipe from above the sump to the outdoors.
10. Install the horizontal discharge pipe. Install a 90° elbow on the inside end but do not glue.
11. Cut another short piece of 1-1/2" PVC for the Upper Discharge Pipe to run from the top of the riser pipe up to the 90° elbow. Be sure to allow enough overlap for the glue joint in the elbow.
12. Do a trial fit with NO GLUE, installing the 1-1/2" upper discharge pipe in the 90° elbow and the upper discharge pipe in the vertical end of the 90° elbow. The upper discharge pipe should just fit between the riser pipe and the elbow.

13. **▲WARNING** Risk of fire and chemical inhalation. Whenever using PVC primer and PVC cement, follow the glue manufacturer's instructions.
14. Make sure that the BBU will clear the primary sump pump and its switch. If there isn't room for both pumps to sit on the floor of the sump, the BBU will have to be raised (depending on your particular situation).
15. Clean, prime and glue the upper discharge pipe into the 90° elbow. When the glue has set, slide the Hose and Clamp Assembly up to cover the joint and tighten all the hose clamps.
16. Install the Battery Backup Switch as shown, 1" above start water level of primary pump. Fasten it to the pipe with cable ties.
17. Tape the pump cord to the riser pipe so that the plug cannot fall into the sump.
18. Go to "BBU WIRING AND SETUP" (Page 8) for wiring instructions.
19. Once all wiring is complete, fill your pit with water and verify that the PSP removes the water and the BBU doesn't run. Then, unplug your PSP and refill your pit with water. Verify that the BBU pump removes the water.
20. Make sure that the power is on to both pumps, and your system is ready to use.

INSTALLATION (Typical): Common Discharge

▲WARNING Risk of electrical shock. Can shock, burn, or kill. Unplug the primary sump pump before beginning this procedure.

NOTICE: Allow for over lap when cutting piping and run a trial (dry) fitting before you glue.

NOTICE: If there is no check valve in the primary sump pump's discharge, you will need to install one. You must also install one in the BBU's discharge pipe (Figure 3, Page 4). Make sure that the check valve flow arrow points AWAY from the pump it is protecting.

1. Use PTFE pipe thread sealant tape on male ends of discharge pipe. Thread the 1-1/4" x 1-1/2" elbow (supplied) onto the discharge. When tight, the elbow must point up.
2. If possible, position the BBU on the floor of the sump; be sure that the two pumps do not touch each other and do not interfere with switch operation.
NOTICE: If debris or gravel is present in the bottom of the sump pit that could get sucked up into the pump, set both the primary sump pump and the BBU up on bricks or cinder blocks to prevent clogging.
3. If the sump is too small to allow both pumps to sit on the bottom of the sump, find a raised position that doesn't interfere with the PSP switch.
4. Cut a piece of 1-1/2" PVC pipe to reach from the backup pump discharge elbow to about one (1) foot above the basement floor. This is the lower discharge pipe.
5. To prevent airlocking the pump during operation, drill a 1/8" hole in the lower discharge pipe about 2" above the bottom of the pipe (below floor level).
6. Install FP0026-10 check valve (purchase separately) on the upper end of the pipe. Tighten the hose clamps securely. BE SURE that the flow arrows point UP (away from the backup pump). If they point down, the valve will not pass water and the pump will not work.
7. Cut the discharge pipe for the primary sump pump (PSP) above the union and check valve (if any). Make this cut about 18" above the top of the BBU's riser pipe with the backup pump sitting as installed.
8. If the PSP does not have a check valve installed in the discharge pipe, install one now.
9. Cut a length of discharge pipe for the PSP to fit between the check valve and a 45° slip wye. Be sure to allow for the overlap needed for gluing joints.
10. Install the 45° wye on the PSP's discharge pipe.
11. Install a 45° elbow on the 1-1/2" BATTERY BACKUP discharge pipe.
NOTICE: You may need to insert a piece of straight pipe between the elbow and the wye. If so, use a standard 45° elbow. If you do not need to insert a piece of straight pipe between the elbow and the wye (elbow goes directly into the wye), use a 45° slip street ell.
12. Fit the upper discharge pipe to the upper end of the wye.
NOTICE: It is good practice to cut a short length of pipe to go into the wye and install a union on the pipe. Continue the discharge pipe from the outlet side of the union. This will allow easier removal of the system for cleaning or service. A U74-68 Hose and Clamp Assembly can be used for this.

13. Make sure that the BBU will clear the primary sump pump and its switch. If there isn't room for both pumps to sit on the floor of the sump, the BBU will have to be raised (depending on your particular situation).
14. Do a trial assembly to make sure that everything is going to fit. This may require a helper to assist in holding everything together while you check the fit without glue. Mark all joints before gluing.

▲WARNING Risk of fire and chemical inhalation. Follow the glue manufacturer's instructions regarding fire hazards and ventilation when using PVC solvents, primer, and cement.

15. Take all the pipe apart, clean all joints, and then reassemble the system, gluing it with PVC primer and glue.
16. Install the Battery Backup Switch as shown, 1" above start water level of primary pump. Fasten it to the pipe with the cable ties provided.
17. Tape the pump cord to the riser pipe so that the plug cannot fall into the sump.
18. Go to "BBU WIRING AND SETUP" (Page 8) for wiring instructions.
19. Once all wiring is complete, fill your pit with water and verify that the PSP removes the water and the BBU doesn't run. Then, unplug your PSP and refill your pit with water. Verify that the BBU pump removes the water.
20. Make sure that the power is on to both pumps, and your system is ready to use.

BATTERY REQUIREMENTS

⚠️ WARNING Hazardous electric current. Can cause severe burns and start a fire if the battery terminals are short circuited. Install the battery in the battery case. To prevent accidental shorting across battery terminals, close and latch the battery case securely. Do not leave the battery uncovered.

⚠️ Do not allow children to play around the battery backup system installation.

The performance of your backup sump pump depends on the battery used with it for power. We recommend using our BAT40 or BAT75. You can also use a group 24M or 27M Deep Cycle battery. They will provide acceptable performance and will stand up well to long periods of little or no use.

This system is designed to work with either a sealed lead-acid AGM battery or a flooded lead-acid battery. Use of a true Gell Cell (often confused for AGM) or a standard automotive battery with this charger is not recommended. An automotive battery may require charging after only 1-2 hours of continuous use, and the repeated charging cycles may cause early plate failure in the battery.

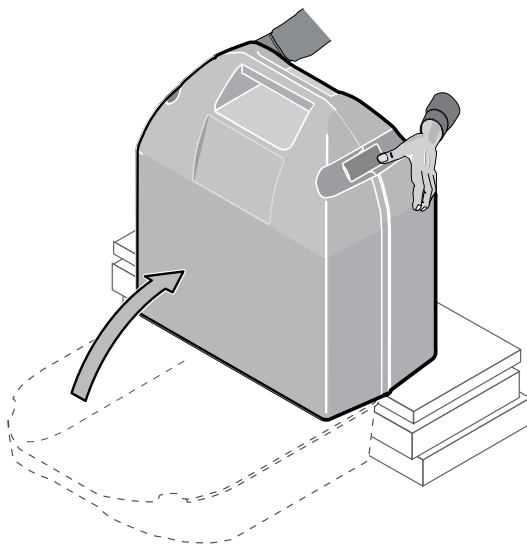
Use only lead-acid batteries. This unit is not designed to use with Li-Ion, NiMh, NiCAD, Liquid Polymer, etc.

Use only the recommended battery or one of the same type and size so it will fit in the battery box (maximum size: 13" long x 7" wide x 10" tall (330.2mm x 177.8mm x 254mm) including terminals) and supply enough voltage for full performance.

BATTERY MAINTENANCE

⚠️ WARNING Severe burn hazard. An acid-filled standard lead-acid battery contains sulfuric acid. Avoid contact with skin, eyes or clothing.

NOTICE: To protect the battery case from chipping and gouging, do not let the battery sit on a concrete floor. Install the battery on a shelf or protective pad (plywood, 2x4s, etc.). Always install the battery in a dry location that is protected from flooding.



Pre-Qualification Test – 1 and 2

Charger is charging at a very low level to try to bring a dead battery back to life. If the battery is taking too long, try resetting the charger once or twice (push the 'SYSTEM TEST' and 'SILENCE ALARM' buttons together to reset the charger).

Special Features:

The charger is equipped with reverse battery, short circuit, and "runaway charge" protection.

Possible Problems and Remedies

- 1. Wrong Battery Voltage**
Reconnect charger to a 12 volt battery.
- 2. Reversed Battery Connections**
Check all connections. The negative (black) on the battery must connect to the negative (black) on the charger, and the positive (red) on the battery must connect to the positive (red) on the charger. Reversing the battery connections will cause the 'SYSTEM ALERT' and 'SILENCED AUDIBLE ALARM' LEDs to flash.
- 3. Thermal Runaway Condition**
"Thermal Runaway" is the technical term for the condition of the battery when some (or all) of the cells have deteriorated to the point that they won't take a charge. In this case, replace the battery.
- 4. Charge Time Monitor – 1 and 2**
Battery took too long to complete its charge. The "Charge Time Monitor" will shut down the charger after 84 hours of continuous charging.
Possible causes are:
A) Pump ran for a long period of time during charging, or
B) Battery is too large for the charger (including several batteries connected in a parallel circuit).

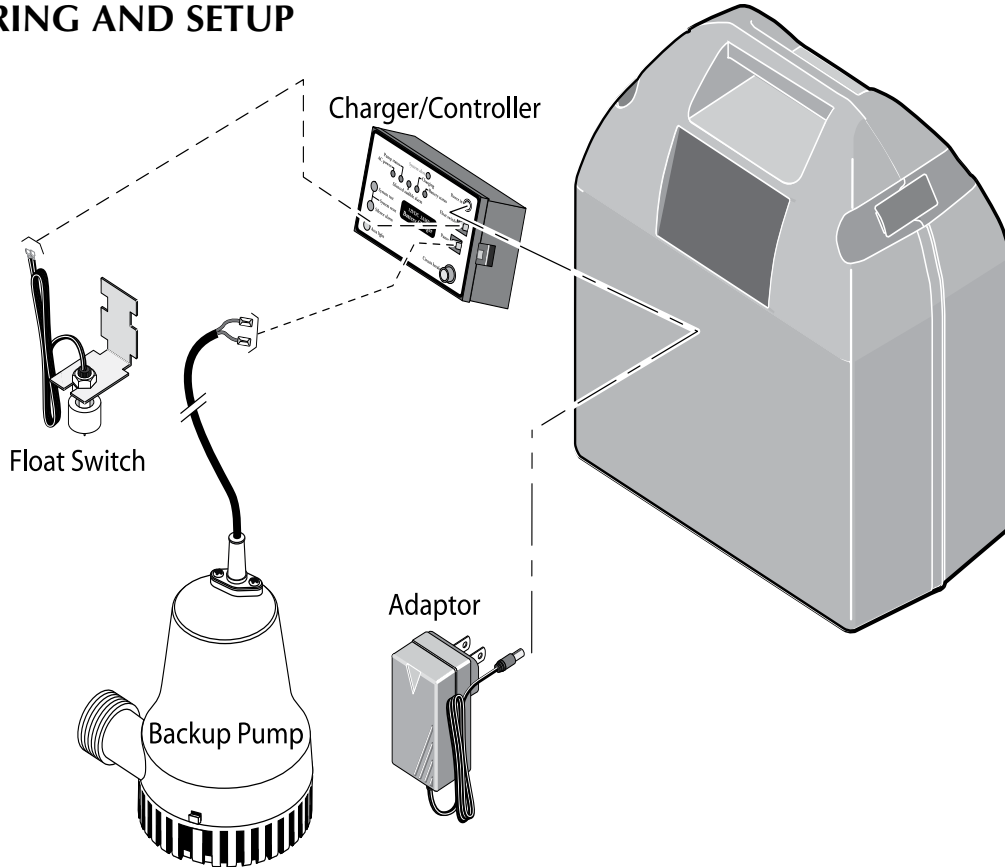
Excessive Battery Drain

Pump may have run for a very long time, discharging the battery. In this case:

1. If 115VAC power is OFF, the charger shuts down until the power comes back on, but the pump will run as long as the battery charge lasts. You may need to replace the battery afterwards.
2. If 115VAC power is ON, the charger/controller continues to try to charge the battery at a charging rate of .5 AH until the battery charge is more than 20%, at which point the charger will resume charging at a rate of 2 AH.
3. If the pump is running and the AC power is on, you may need to stop the pump to allow the battery to charge.

Follow the battery manufacturer's recommendations for maintenance and safe use of the battery.

BBU WIRING AND SETUP

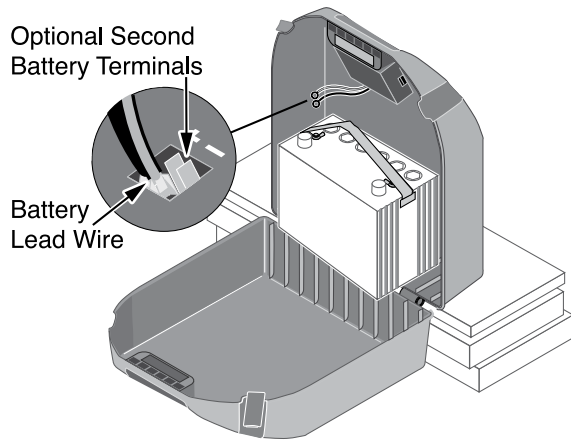


1. Connect the *positive* (+) charger/controller lead wire (red) to the *positive* (+) battery terminal (red). Connect the *negative* (-) charger/controller lead wire (black) to the *negative* (-) terminal (black) on the battery. If you are using two batteries, use the set of optional terminals and connect the second battery. Use lead wires (not included) to connect the *positive* (+) charger/controller terminal to the *positive* (+) battery terminal and the *negative* (-) charger/controller terminal to the *negative* (-) battery terminal.

2. The backup pump leads are polarity sensitive; connect the positive pump lead to the terminal labeled Pump '+' and the negative pump lead to the terminal labeled Pump '-'.

NOTICE: If the leads are reversed, the pump will run backward and not pump water.

3. The float switch leads are not polarity sensitive; connect the float switch leads to the 'Float Switch' tabs on the charger/controller.
4. Test the float and the pump by lifting and holding the float. The 'PUMP STATUS' LED will light continuously and the buzzer will beep steadily. The pump should start after 3 seconds. If the pump does not run, check all the connections and remake them as necessary.
5. To stop the pump, lower the float; after 25 seconds the pump should stop, the 'PUMP STATUS' LED should flash, and the buzzer should beep.
6. With the pump operating, test the 'SILENCED ALARM' button; hold for one second; release. The 'SILENCED AUDIBLE ALARM' LED should illuminate and the buzzer should stop sounding. To reset the buzzer (allow it to sound) and extinguish the 'SILENCED AUDIBLE ALARM' LED, press the 'SILENCE ALARM' button again for one second. Depress the 'SYSTEM TEST' button; hold it for one second; release. The 'PUMP STATUS' LED should stop flashing.



5769 1113

Figure 5: The battery input is inside the battery case. Support the case when opening it. The support must be at least 4" thick.

NOTICE: During normal operation, the flashing 'PUMP STATUS' LED indicates that the pump has run in your absence.

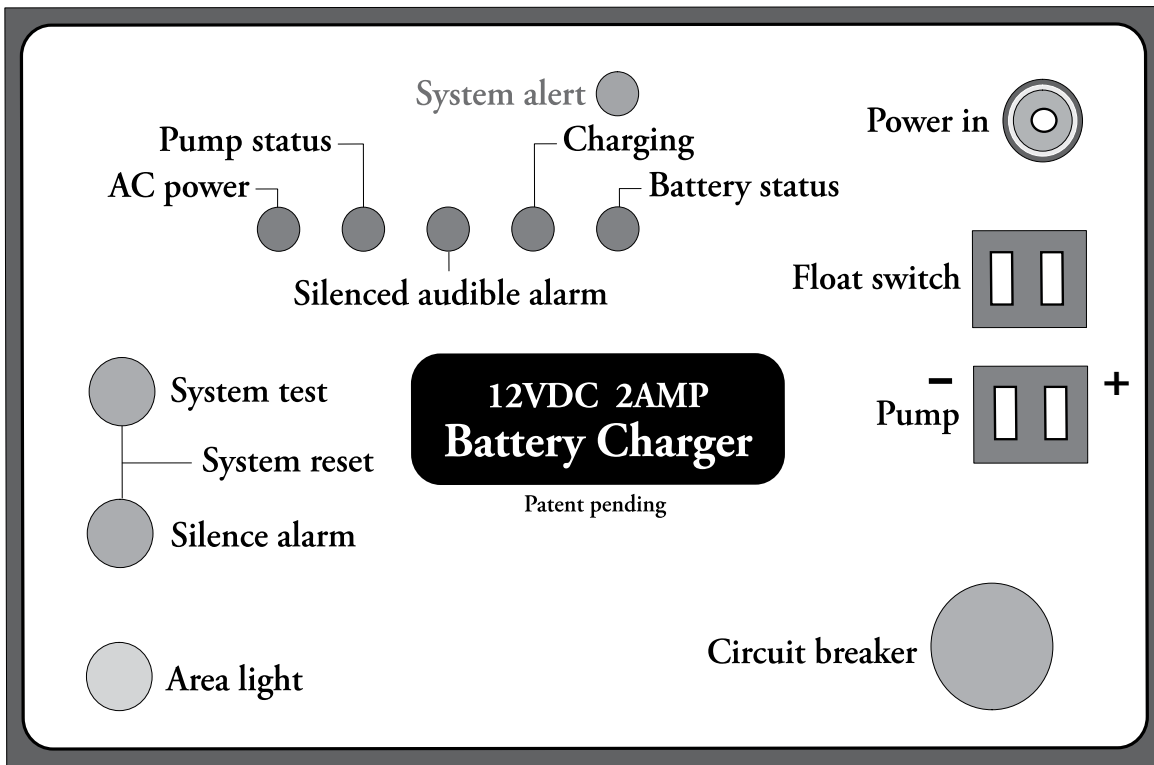
7. Press and hold 'SYSTEM TEST' button. All LEDs will light up, pump will run and buzzer will sound. Release the button and LEDs should go off, pump should stop, buzzer should stop.
8. The 'BATTERY STATUS' LED indicates the battery capacity when the A.C. power is off.
 - A. Continuously ON - the battery voltage is above 10.9 Volts Direct Current (10.9VDC) and capacity is above 20%.
 - B. Slow Beep/Slow LED Flash - the battery's capacity is between 0 and 20%.

- C. Fast Beep/Fast LED Flash - the battery is severely discharged. The battery will continue to charge (as long as the 115V AC power to the charger is on) at the rate of .5 AH until the battery's charge is above 20%.

When the first warning occurs (slow beep/slow flash), you will have approximately 2 hours (or less) of pump operation left. The actual time of operation will depend on the condition of the battery and may be as little as 15 minutes.

4. Connect the Power Supply cable (supplied) to the Charger/Controller's Power Input jack.

LED Display and Control Buttons



NOTICE: When the unit is first plugged in, or when it first receives power from the battery, the 'BATTERY STATUS' LED will flash for 3 seconds.

NOTICE: To activate any Control Button, press and hold it for 1 second.

TABLE II – Operating Code Displays (LEDs Lighted Continuously or Flashing)

LED Operating Code Display	System Operating Condition
	Indicates 115V AC Power is connected
	Indicates Pump is running (continuous LED)
	Indicates Fast flashing LED: Pump has run
	Indicates Audible alarm is switched off
	Indicates Fast flashing LED: Battery pre-qualification test is running
	Indicates Battery is charging normally
	Indicates Continuous LED: battery charge is above 20%, system is maintaining charge
	Indicates Slow flashing LED: battery charge is below 20%

= LED is ON Continuously
 = LED is Flashing (Fast)
 = LED is Flashing (Slow)
 = LED is OFF

NOTICE: All of the situations listed above indicate normal system operation; no action is required. However, if the BBU pump is running or has run, check the primary pump and actively monitor the charger status for battery life. Always reset the charger after the pump runs. During normal system operation, the 'SYSTEM ALERT' LED does not light up. The "AC POWER" LED is lighted as long as the system is plugged in to an operating AC power circuit.

TABLE III – LED Function Displays (LEDs Lighted Continuously)

Control LED:	Continuous Illumination Indicates Normal Operation:
AC Power	AC power is present.
Pump Status	The float switch has been activated. The LED remains on (flashing) after the pump has stopped. Depress the 'SYSTEM TEST' button to reset it.
Silenced Audible Alarm	Audible Alarm has been silenced. Press and release the 'SILENCE ALARM' button to reset (activate) the audible alarm and turn OFF the LED.
Charging	Indicates that the battery is charging – see Table II, above.
Battery Status	A. Continuous ON - the battery voltage is above 10.9 Volts DC and capacity is above 20%.
	B. Slow Beep/Slow LED Flash - the battery's capacity is below 20%, and voltage is between 8.2VDC and 10.9VDC.
	C. Fast Beep/Fast LED Flash - the battery has been discharged to less than 8.2VDC.
System Alert	Flashing (in unison with the buzzer) indicates that the charger has entered 'Failure Mode'. Press the 'SYSTEM TEST' and 'SILENCE ALARM' buttons to reset it. NOTICE: If the source of the failure is not corrected, the charger will reenter "Failure Mode". See Table IV for error code information.

TABLE IV – Error Code Displays (LEDs Flashing)




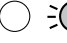









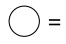
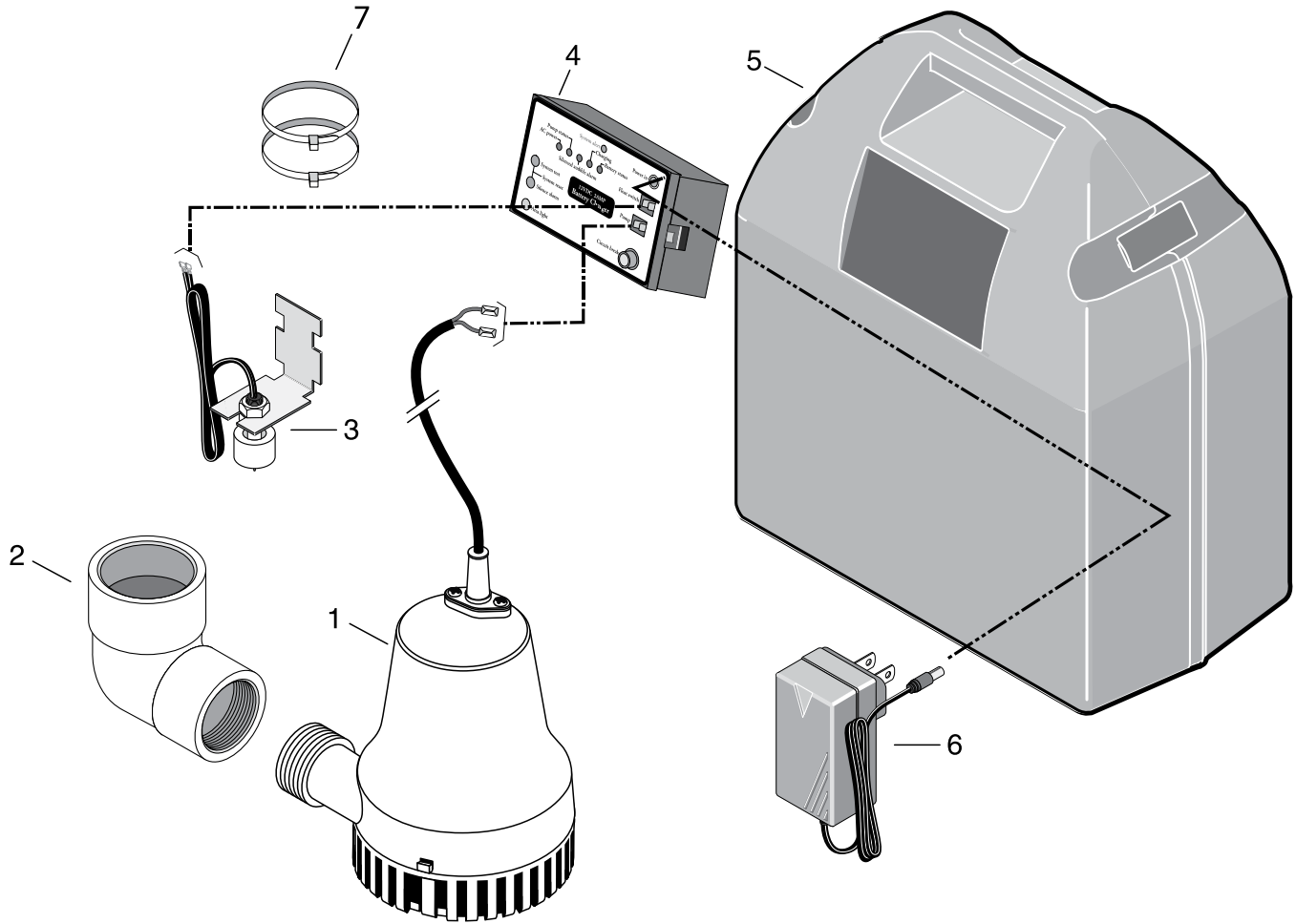
LED Error Code Display		Error Condition and Corrective Action	
<p>SYSTEM ALERT </p> <p>ALARM SILENCED</p> <p>PUMP ACTIVITY</p> <p>AC POWER</p> <p>CHARGING</p> <p>BATTERY STATUS</p>		<p>NOTICE: When the 'SYSTEM ALERT' LED is flashing, look for one of the following error conditions.</p>	
	Condition		Action
	= Excessive battery drain;		Stop pump, allow battery to charge (AC must be on)
	= Battery will not take a charge***;		Replace battery with a new 12V lead-acid battery
	= Reversed battery connections;		Connect + to + and – to –.*
	= Wrong battery voltage;		Replace battery with a new 12V lead-acid battery
	= Failed pre-qualification test – 1**;		Replace battery with a new 12V lead-acid battery
	= Failed pre-qualification test – 2**;		Replace battery with a new 12V lead-acid battery
	= Charge time monitor – 1;		Check battery for damage to cells; replace battery
	= Charge time monitor – 2;		Check battery for damage to cells; replace battery
	= Battery Charge is Below 20%;		Pump will shut down, battery is not charging. Replace battery.
<p>* NOTICE: If your AC power is off and the unit is dead (no LEDs lighted, no audible alarm, pump isn't running), check for reversed battery connections to the charger/controller.</p> <p>** Charger was charging at a very low level to try to bring a dead battery back to life, but the battery took too long to charge. Try resetting the charger once or twice (push the 'System Test' and 'Silence Alarm' buttons at the same time to reset the charger).</p> <p>*** Thermal Runaway condition</p>			
<p> = LED is ON Continuously  = LED is Flashing (Fast)  = LED is Flashing (Slow)  = LED is OFF</p>			

TABLE V – Control Button Functions

Control Button:	Result of Pushing Button:
System Test	Pump starts and all LEDs light up.
	Will reset the 'PUMP STATUS' LED.
	When pushed with the 'SILENCE ALARM' button, the Charger/Controller microprocessor resets and error code resets.
Silence Alarm	Toggle; Prevents the audible alarm sounding. Press and release to reset.
Light	Toggles the flood light on the Charger/Controller on and off.
System Reset	Press and release 'SYSTEM TEST' and 'SILENCE ALARM' to reset system.

TROUBLESHOOTING

Pump won't run:	Check all the wiring connections.
	Check for a low or defective battery.
	Check that the automatic switch is free to move up and down.
	Press the circuit breaker reset button on the control panel.
Motor hums but pump won't run:	Check for low or defective battery.
Pump runs but pumps very little or no water:	Make sure a check valve is installed and functioning between the primary pump discharge and the Battery Backup wye.
	Check for an obstruction in the discharge pipe.
	The discharge pipe length and/or height exceeds the capacity of the pump. See Table VI, Page 11, for pump capacity.
	Check for a low or defective battery.
	The Positive (+) and negative (-) pump wires are reversed. Disconnect them and reconnect correctly.
Pump cycles too frequently:	The check valve located between the discharge of the primary pump and the Battery Backup wye is not installed or is not working properly. Install an auxiliary check valve (see Pages 5 and 6) or replace the existing check valve as required.



Key No.	Part Description	Part Number
1	DC Backup Pump	PS17-118
2	1-1/4 FNPT x 1-1/2 Slip Elbow	U78-1012
3	Float Switch	PS17-2003
4	Charger/Controller	PS217-1521
5	Battery Case (Complete)	PS17-1512
6	AC Adaptor	PS17-2008
7	11" x .14" Plastic Cable Tie	*

* Purchase separately.

** If pump fails, replace entire system.

Optional Batteries

*Sold Separately

Key No.	Part Description	Part Number
X	AGM 75A-Hour	BAT75
X	AGM 40A-Hour	BAT40

Retain Original Receipt for Warranty Eligibility

Limited Warranty

Myers® warrants to the original consumer purchaser ("Purchaser" or "You") of the products listed below, that they will be free from defects in material and workmanship for the Warranty Period shown below.

Product	Warranty Period
Jet pumps, small centrifugal pumps, submersible pumps and related accessories	whichever occurs first: 12 months from date of original installation, or 18 months from date of manufacture
Fibrewound Tanks	5 years from date of original installation
Steel Pressure Tanks	5 years from date of original installation
Sump/Sewage/Effluent Products	12 months from date of original installation, or 36 months from date of manufacture
Battery Backup Units	
MBSP-2, MBSP-2C	12 months from date of original installation, or 18 months from date of manufacture
MBSP-3, MBSP-3C	24 months from date of original installation, or 30 months from date of manufacture
Wastewater Solids Handling Pumps	12 months from date of shipment from factory or 18 months from date of manufacture

Our warranty applies only where such products are used in compliance with the requirements of the applicable product catalog and/or manuals. For additional information, please refer to the applicable standard limited warranty featured in the product manual.

Our warranty will not apply to any product that, in our sole judgement, has been subject to negligence, misapplication, improper installation, or improper maintenance. Without limiting the foregoing, operating a three phase motor with single phase power through a phase converter will void the warranty. Note also that three phase motors must be protected by three-leg, ambient compensated, extra-quick trip overload relays of the recommended size or the warranty is void.

Your only remedy, and MYERS's only duty, is that MYERS repair or replace defective products (at MYERS's choice). You must pay all labor and shipping charges associated with this warranty and must request warranty service through the installing dealer as soon as a problem is discovered. No request for service will be accepted if received after the Warranty Period has expired. This warranty is not transferable.

MYERS SHALL NOT BE LIABLE FOR ANY CONSEQUENTIAL, INCIDENTAL, OR CONTINGENT DAMAGES WHATSOEVER.

THE FOREGOING LIMITED WARRANTIES ARE EXCLUSIVE AND IN LIEU OF ALL OTHER EXPRESS AND IMPLIED WARRANTIES, INCLUDING BUT NOT LIMITED TO IMPLIED WARRANTIES OF MERCHANTABILITY AND FITNESS FOR A PARTICULAR PURPOSE. THE FOREGOING LIMITED WARRANTIES SHALL NOT EXTEND BEYOND THE DURATION PROVIDED HEREIN.

Some states do not allow the exclusion or limitation of incidental or consequential damages or limitations on the duration of an implied warranty, so the above limitations or exclusions may not apply to You. This warranty gives You specific legal rights and You may also have other rights which vary from state to state.

This Limited Warranty is effective April 1, 2014 and replaces all undated warranties and warranties dated before April 1, 2014.

F.E. MYERS

293 Wright Street, Delavan, WI 53115

Phone: 888-987-8677 • Fax: 800-426-9446 • www.femyers.com

In Canada: 490 Pinebush Road, Unit 4, Cambridge, Ontario N1T 0A5

Phone: 800-387-4386 • Fax: 888-606-5484

Consignes de sécurité importantes

CONSERVER CES DIRECTIVES - Ce manuel contient des directives importantes devant être respectées lors de l'installation, de l'utilisation et de l'entretien de ce produit.

⚠ Il s'agit du symbole d'alerte à la sécurité. Ce symbole, lorsqu'il se trouve sur votre pompe ou votre manuel, signale qu'il faut chercher la présence de l'un de ces mots indicateurs et être conscient des risques de blessure!

⚠ DANGER indique un risque qui, s'il n'est pas évité, causera des blessures graves, voire la mort.

⚠ AVERTISSEMENT indique un risque qui, s'il n'est pas évité, peut causer des blessures graves, voire la mort.

⚠ ATTENTION indique un risque qui, s'il n'est pas évité, peut causer des blessures mineures, voire modérées.

AVIS vise des pratiques qui ne concernent pas les blessures.

Lire soigneusement et respecter toutes les consignes de sécurité contenues dans ce manuel ou placées sur la pompe.

Faire en sorte que les étiquettes de sécurité demeurent en bon état. Remplacer les étiquettes de sécurité manquantes ou endommagées.

Pour éviter tout risque de blessures graves causées par un choc électrique ou des brûlures de même que tout risque de dommage à cause d'une inondation, prendre le temps de bien lire les consignes de sécurité avant d'installer la pompe.

⚠ AVERTISSEMENT **L'acide de batterie est une matière corrosive. Ne pas mettre en contact avec la peau, les vêtements ou le chargeur de batterie.** Porter une protection oculaire et à la tête lorsqu'il est nécessaire de manipuler des batteries. Brancher et débrancher les bornes de sortie CC uniquement après avoir débranché le chargeur de la prise CA. Ne jamais laisser les bornes CC se toucher.

⚠ AVERTISSEMENT **Tension dangereuse. Peut causer des chocs électriques graves, voire mortels.** Ne pas brancher ou débrancher le chargeur de batterie lorsque vous vous tenez sur une surface mouillée ou inondée. S'assurer qu'une main demeure libre au moment de brancher ou de débrancher le chargeur. Si le plancher du sous-sol est mouillé, couper l'alimentation électrique vers le sous-sol avant de marcher sur le plancher.

⚠ ATTENTION **Risque d'inondation. Ne pas faire fonctionner la pompe à sec. Ce faisait, les joints de la pompe seront endommagés, créant potentiellement une fuite et des dommages à la propriété.**

Suivre les consignes des codes de plomberie et d'électricité locaux et nationaux au moment d'installer le système. Il est recommandé d'utiliser un disjoncteur de fuite de terre (GFCI) avec tout appareil électrique submergé dans l'eau.

N'utiliser ce système que comme pompe de puisard de secours dans un milieu résidentiel. Il n'a pas été conçu pour servir de pompe de puisard principale.

Ne pas soulever la pompe à partir de son cordon électrique.

⚠ AVERTISSEMENT **Risque de choc électrique.** Ne pas soulever la pompe par son cordon électrique; plutôt, la soulever par le tuyau de décharge, l'anneau de levage ou la poignée qui se trouve dessus. Le cordon pourrait être endommagé s'il est utilisé pour soulever la pompe.

Ne pomper que de l'eau propre avec cette pompe.

La pompe a été lubrifiée de manière permanente en usine. Ne pas essayer de la lubrifier!

Garder le chargeur de batterie et le boîtier de batterie en hauteur, dans un endroit sec, frais et bien aéré.

AVIS : si un détecteur de monoxyde de carbone (CO) est installé, il doit se trouver à au moins 4,6 m (15 pi) du chargeur de batterie, ce afin d'éviter l'occurrence de fausses alarmes. Se reporter aux directives d'installation du détecteur de CO pour en apprendre davantage.

Pour éviter les risques d'incendie ou d'explosion, assurer que les sources d'étincelles ou de flammes (pilote) se trouvent à l'écart de la batterie.

La distance de pompage verticale maximale de la pompe est de 4,3 m (14 pi), dans le cas du modèle MBSP-2.

S'assurer qu'il n'y a pas de débris encombrant la pompe de puisard. Les débris peuvent endommager la pompe et ainsi entraîner une inondation.

RENSEIGNEMENTS GÉNÉRAUX

La pompe de puisard à batterie de secours ne peut pas se substituer à votre pompe de puisard principale. Elle a été conçue pour agir en tant que support pour votre pompe principale en cas de panne d'électricité ou de tout autre problème nuisant au fonctionnement normal de la pompe primaire. Ne pas utiliser ce système pour pomper des liquides inflammables ou des produits chimiques. Ne pomper que de l'eau propre avec cette pompe.

Assurer que le chargeur de batterie demeure au sec et bien protégé contre tout dommage.

Ce système a été conçu pour fonctionner avec une batterie AGM (plomb-gel et feutre) scellée et sans entretien. Il peut aussi fonctionner avec une batterie plomb-acide à électrolyte liquide à décharge poussée. Les batteries à électrolyte gélifié et scellées plomb-acide à électrolyte liquide ne sont pas recommandées. En cas d'urgence (comme une panne de courant prolongée), si la batterie à décharge poussée est complètement déchargée, il est possible d'utiliser une batterie automobile à la place. Prendre soins de remettre la batterie à décharge poussée en place aussi rapidement que possible. Utiliser une batterie automobile à la place d'une batterie à décharge poussée réduira significativement la performance totale du système. Les batteries automobiles ne sont pas conçues pour ce type d'application; elles seront rapidement rendues inutiles par les cycles répétés de charge/décharge. **AVIS:** ce système n'a pas été conçu pour les applications impliquant l'eau salée, la saumure ou la présence de poissons; l'utiliser dans ces conditions entraînera l'annulation de la garantie!

Avertissement lié à la Proposition 65 de la Californie

⚠ AVERTISSEMENT Ce produit et les accessoires connexes contiennent des produits chimiques reconnus dans l'État de la Californie comme pouvant provoquer des cancers, des anomalies congénitales ou d'autres dangers relatifs à la reproduction.

OUTILS DE BASE ET PIÈCES NÉCESSAIRES (VENDUS SÉPARÉMENT)

Pince multiprise à crémaillère ou autre pince réglable de grande taille
 Ruban à mesurer
 Clé à douille ou tourne-écrou de 7,9 mm (5/16 po)
 Couteau latéral
 Scie à métaux (pour couper du tuyau de PVC)
 Pinces de taille moyenne
 Tournevis à lame plate
 Tournevis cruciforme
 Crayon ou marqueur
 Ruban scellant pour filets de tuyau en PTFE
 Colle pour PVC (soudure par solvant)
 Nettoyant à tuyau de PVC
 Chiffon
 Raccords de plastique
 Clapet(s) de non-retour - 1 ou 2, selon l'installation
 Batterie à stockage de 38-120 ampères-heures ou à décharge poussée

Capacité de batterie requise :

Pour obtenir de meilleurs résultats, se servir des batteries à stockage AGM suivantes :

Pièce	Amp-Heure	Gal/Charge à 3 m (10 pi)	Temps de fonctionnement approx
BAT40	40	3000	4,5 heures
BAT75	75	7000	10,3 heures

- Unité pouvant être équipée d'une batterie double
- Amp-heure maximum : 120

AVIS : Le chargeur ne parviendra pas à charger complètement les batteries dont la cote d'ampères-heure est excessive sans procéder à la réinitialisation du système.

Head in Feet	0	5	10	13.35
Head in Meters	0	1.5	3	
GPM	34	23	10	0
LPM	129	87	38	0

SYSTÈME DE SECOURS À BATTERIE (SSB) INSTALLATION ET FONCTIONNEMENT

AVIS :

- Installer ce système à un moment où il n'est pas nécessaire de faire fonctionner la pompe principale. Rassembler tout le matériel nécessaire avant de commencer. Lire tous les avertissements et les étapes d'installation avant de commencer.
- Prendre en considération que l'eau pourrait couler des raccords ou de la tuyauterie lors du démontage ou de la coupe du tuyau de décharge. Protéger les composantes du système, les outils et le matériel pour ne pas les mouiller. Sécher la surface de travail à mesure qu'elle elle mouillée.

AVIS : lire attentivement les pages 4 à 6 pour déterminer la méthode d'installation la plus appropriée. L'installation de type « décharge distincte » (figure 2, page 4) est recommandée.

AVIS : vérifier les codes et les règlements locaux concernant l'élimination des eaux usées (particulièrement lorsque la pompe se décharge hors de la maison) avant de commencer. L'installation doit se conformer à toutes les exigences légales.

Si possible, installer le SSB de manière à ce que la décharge soit évacuée directement à l'extérieur (tuyau de décharge distinct du tuyau de décharge de la pompe de puisard principale). Si cette option n'est pas envisageable, passer à l'option « décharge commune » (figure 3, page 4).

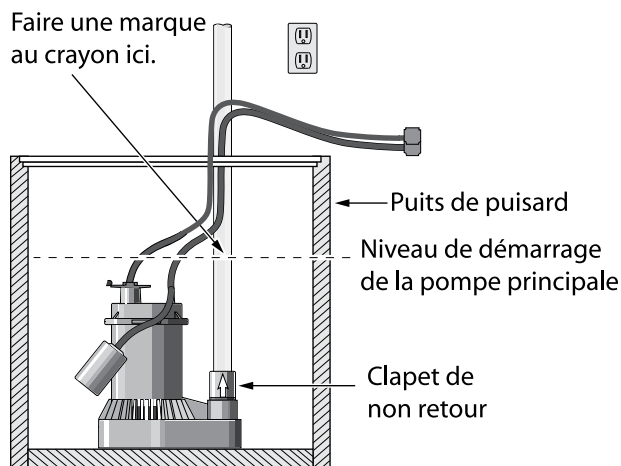
AVIS : Applicable pour TOUTES les installations une fois terminées, il faut faire fonctionner en même temps les deux pompes de puisard (la pompe principale et la pompe de secours) pendant un cycle complet pour vérifier que tout fonctionne correctement.

⚠ AVERTISSEMENT **Risque de blessure et d'inondation.** Ne pas mettre la pompe en marche tant que tous les raccords n'ont pas été collés et que la colle n'a pas eu le temps de sécher. Les raccords lâches peuvent exploser et causer des blessures ou une inondation.

⚠ AVERTISSEMENT **Risque de choc électrique.** Sur le panneau électrique ou la boîte de fusibles, couper l'alimentation électrique se rendant vers la pompe de puisard avant de commencer l'installation.

Mise en place

1. Déterminer le niveau d'eau élevé dans le puits de puisard (le niveau d'eau auquel la pompe de puisard en place (principale) se met en marche - se reporter à la figure 1). Couper l'alimentation vers la pompe et indiquer ce niveau sur le tuyau de décharge à l'aide d'un crayon ou d'un marqueur.
2. Vider le puits de puisard aussi profondément que possible sans que la pompe se mette à fonctionner à vide. Pour ce faire :
 - A. **INTERRUPTEUR DE SORTIE CONJOINTE :** débrancher la pompe et l'interrupteur de la prise puis débrancher la pompe de l'interrupteur de sortie conjointe. Réinitialiser le disjoncteur de circuit ou remettre le fusible en place puis brancher la pompe directement dans la prise. La pompe va démarrer. Vidanger le puits et débrancher la pompe. OU
 - B. **SANS INTERRUPTEUR DE SORTIE CONJOINTE :** réinitialiser le disjoncteur de circuit ou remettre le fusible en place et se servir d'un manche à balai ou d'un bâton pour soulever l'interrupteur à flotteur, ce qui devrait faire fonctionner la pompe. Vidanger le puits puis relâcher l'interrupteur.
3. Une fois le puits vidangé, couper (ouvrir) le disjoncteur de circuit ou enlever le fusible à nouveau pour éviter tout choc électrique pendant l'installation.



6781 0313

Fig 1 : faire une marque au niveau d'eau de « démarrage »

« décharge distincte »

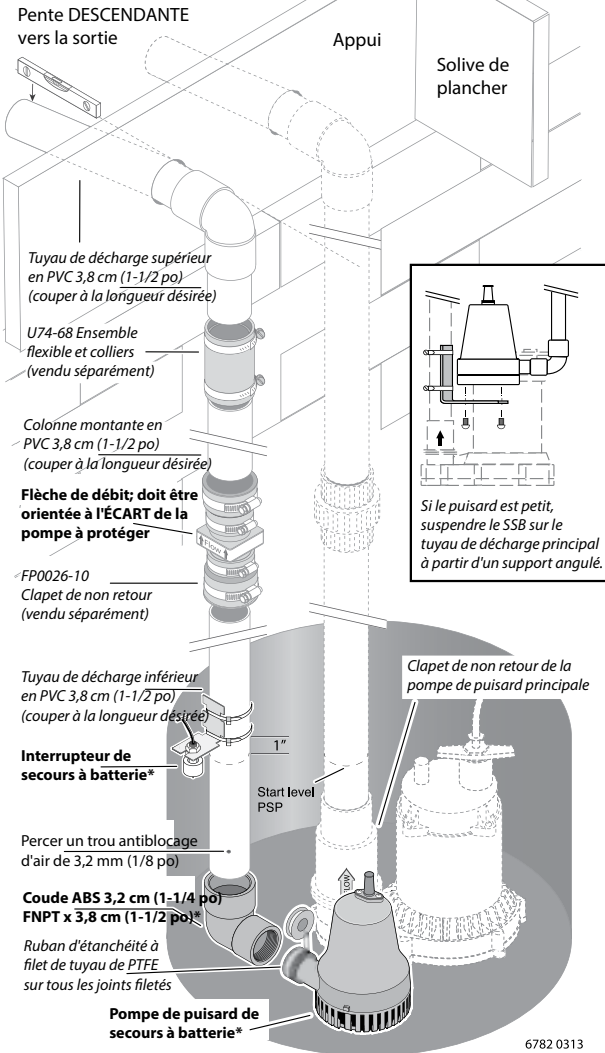
AVIS :

"Les volets du clapet de non retour doivent pivoter à l'ÉCART de la pompe qui doit être protégée, les flèches de débit aussi!"
Le niveau d'eau entraînant la fermeture de l'interrupteur doit être plus haut que l'entrée de la pompe du SSB.

* Fourni avec le système de secours à batterie.

Les éléments en italique doivent être achetés séparément.

Pas à l'échelle.
Câblage ignoré pour meilleure clarté.



6782 0313

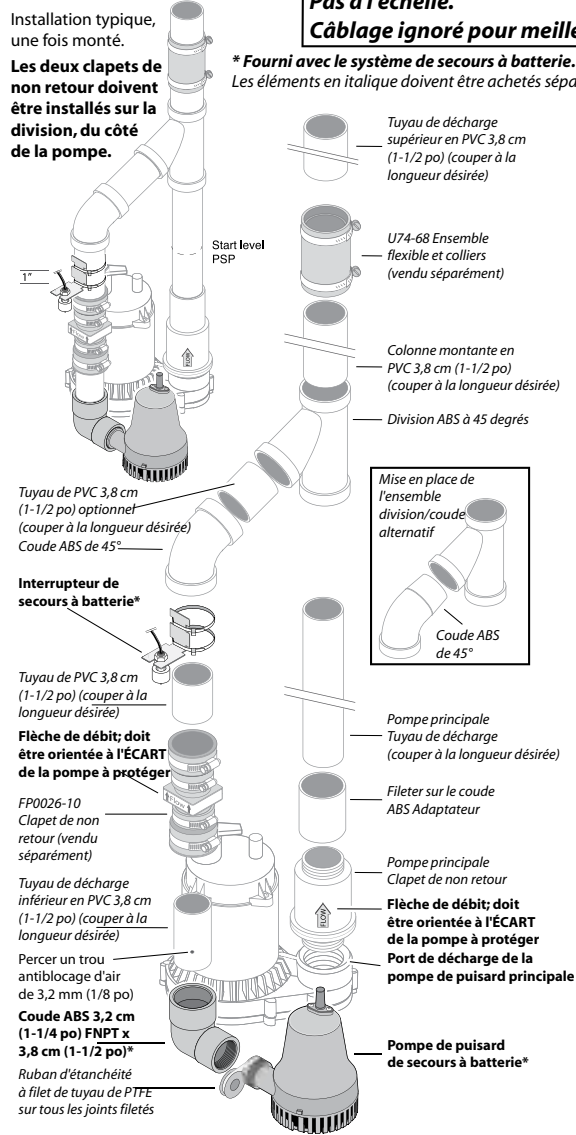
« décharge commune »

AVIS : dans cette installation, il FAUT installer un clapet de non retour sur la pompe de puisard principale (PPP) s'il n'y en a pas déjà en place sous la division, comme montré. Ceci permet de prévenir tout retour d'eau de puisard provenant du système de secours à batterie. Les volets du clapet de non retour et les flèches de débit doivent pivoter à l'ÉCART de la pompe à protéger.

Le niveau d'eau entraînant la fermeture de l'interrupteur doit être plus haut que l'entrée de la pompe du SSB.

Pas à l'échelle.
Câblage ignoré pour meilleure clarté.

* Fourni avec le système de secours à batterie.
Les éléments en italique doivent être achetés séparément



6783 0313

Fig 2 : Installation typique avec tuyaux de décharge distincts.

Fig 3 : Installation typique avec tuyau de décharge commun.

INSTALLATION (typique) : décharge distincte

⚠ AVERTISSEMENT Risque de choc électrique. Possibilité de choc, de brûlure et même de décès. Débrancher la pompe de puisard principale avant de commencer cette procédure.

AVIS : laisser une longueur en surplus au moment de couper la tuyauterie et faire un essai de raccordement (sec) avant de mettre la colle.

1. Utiliser du ruban scellant pour filets de tuyau en PTFE sur l'extrémité mâle du tuyau de décharge. Fileter un coude de 3,2 à 3,8 cm (1-1/4 à 1-1/2 po) (fourni) sur la décharge. Une fois bien serré, le coude doit être orienté vers le haut.
2. Si possible, installer le système de secours à batterie (SSB) sur le plancher du puisard et s'assurer que les deux pompes n'entrent pas en contact ou ne se nuisent pas lorsqu'elles fonctionnent.
AVIS : en cas de présence de débris ou de caillou pouvant se loger dans la pompe dans le fond de puits de puisard, installer les deux pompes sur des briques ou des blocs de béton pour prévenir toute occlusion.
3. Si le puisard est trop petit et qu'il est impossible d'y installer les deux pompes, installer un support angulé sur le tuyau de décharge de la pompe de puisard principale à l'aide de colliers à tuyau en acier inoxydable. Installer la pompe de secours sur le support angulé. Se reporter à la figure 1, « décharge distincte ».
4. Couper un morceau de tuyau de PVC de 3,8 cm (1-1/2 po) à placer dans le coude de la décharge de la pompe de secours; il doit avoir une longueur suffisante pour dépasser le plancher du sous-sol d'environ 30,5 cm (1 pied). Il s'agit du tuyau de décharge inférieur.
5. Pour empêcher le blocage de la pompe par l'air pendant son fonctionnement, percer un trou de 3,2 mm (1/8 po) dans le tuyau de décharge inférieur, à environ 5,1 cm (2 po) au-dessus de la base du tuyau (sous le niveau du plancher).
6. Installer un clapet de non retour FP0026-10 (acheté séparément) sur l'extrémité supérieure du tuyau. Resserrer les colliers à tuyau correctement. S'ASSURER que les flèches de débit sont orientées vers le HAUT (à l'écart du SSB). Si les flèches sont orientées vers le bas, le clapet ne laissera pas passer l'eau et la pompe ne fonctionnera pas.
7. Couper un court bout de tuyau de PVC de 3,8 cm (1-1/2 po) de diamètre pour servir de colonne montante et le fixer sur le dessus du clapet de non retour.
8. Installer un ensemble de flexible et colliers U74-68 sur le dessus de la colonne montante. Dans le cas d'un tuyau de 3,8 cm (1-1/2 po), retirer et jeter un petit bout du flexible de 3,2 cm (1-1/4 po) de l'ensemble flexible et colliers. Laisser les colliers de flexible desserrés et glisser l'ensemble sous le sommet de la colonne montante.
9. Déterminer l'endroit où la décharge devra sortir du sous-sol. À ce point, perforer les trous nécessaires (juste assez large pour laisser passer un tuyau de 3,8 cm (1-1/2 po) pour faire passer le tuyau de décharge au-dessus du puisard vers l'extérieur.
10. Installer le tuyau de décharge horizontal. Installer un coude de 90° à l'extrémité intérieure, mais ne pas coller.
11. Couper un autre bout de tuyau de PVC de 3,8 cm (1-1/2 po) de diamètre pour agir en tant que tuyau de décharge supérieur; il permet de faire le lien entre la colonne montante et le coude de 90°. Assurer qu'il y a une longueur suffisante de tuyau pour permettre de le coller dans le coude.
12. Faire un essai de raccordement SANS COLLE; installer le tuyau de décharge supérieur de 3,8 cm (1-1/2 po) dans l'extrémité verticale du coude de 90°. Le tuyau de décharge supérieur devrait s'insérer parfaitement entre la colonne montante et le coude.

13. **⚠ AVERTISSEMENT** Risque d'incendie et d'inhalation de produits chimiques. Il est important de suivre les recommandations du fabricant lorsque de la colle, de l'apprêt ou du ciment à PVC est utilisé.
14. S'assurer que le SSB se trouve à l'écart de la pompe principale et de son interrupteur. S'il n'y a pas suffisamment d'espace pour placer le SSB près de la pompe principale au fond du puisard, il faut surélever le SSB (selon votre situation particulière).
15. Nettoyer, mettre de l'apprêt et coller le tuyau de décharge supérieur dans le coude de 90°. Une fois la colle bien prise, glisser l'ensemble flexible et colliers jusqu'au joint et serrer tous les colliers.
16. Installer l'interrupteur du système de secours à batterie comme montré, soit 2,5 cm (1 po) au-dessus du niveau d'eau de démarrage de la pompe principale. L'attacher au tuyau avec des attaches de câble.
17. Fixer le cordon de la pompe avec du ruban adhésif sur la colonne montante avant que la prise ne puisse pas tomber dans le puisard.
18. Se rendre à la section « CÂBLAGE ET MISE EN PLACE DU SSB » (page 8) pour obtenir les directives de câblage.
19. Une fois le câblage en place, remplir le puits d'eau et vérifier que la pompe de puisard principale fonctionne mais que le SSB ne démarre pas. Ensuite, débrancher la pompe de puisard principale et remplir le puits d'eau à nouveau. Vérifier que la pompe du SSB parvient à éliminer l'eau.
20. S'assurer que les deux pompes sont alimentées en électricité; votre système est maintenant prêt à utiliser.

INSTALLATION (typique) : décharge commune

⚠ AVERTISSEMENT Risque de choc électrique. Possibilité de choc, de brûlure et même de décès. Débrancher la pompe de puisard principale avant de commencer cette procédure.

AVIS : laisser une longueur en surplus au moment de couper la tuyauterie et faire un essai de raccordement (sec) avant de mettre la colle.

AVIS : si aucun clapet de non retour est installé sur la décharge de la pompe de puisard principale, il faudra en installer un. Il est aussi nécessaire d'en installer un sur le tuyau de décharge du SSB (figure 3, page 4). Vérifier que les flèches de débit du clapet de non retour sont orientées À L'ÉCART de la pompe qu'il protège.

1. Utiliser du ruban scellant pour filets de tuyau en PTFE sur l'extrémité mâle du tuyau de décharge. Fileter un coude de 3,2 à 3,8 cm (1-1/4 à 1-1/2 po) (fourni) sur la décharge. Une fois bien serré, le coude doit être orienté vers le haut.
2. Si possible, installer le SSB sur le plancher du puisard et s'assurer que les deux pompes n'entrent pas en contact ou ne se nuisent pas lorsqu'elles fonctionnent.
AVIS : en cas de présence de débris ou de caillou pouvant se loger dans la pompe dans le fond de puits de puisard, installer les deux pompes sur des briques ou des blocs de béton pour prévenir toute occlusion.
3. Si le puisard est trop petit et qu'il est impossible d'y installer les deux pompes, installer la pompe de secours dans un endroit surélevé, de manière à ne pas nuire à l'interrupteur de la pompe de puisard principale.
4. Couper un morceau de tuyau de PVC de 3,8 cm (1-1/2 po) à placer dans le coude de la décharge de la pompe de secours; il doit avoir une longueur suffisante pour dépasser le plancher du sous-sol d'environ 30,5 cm (1 pied). Il s'agit du tuyau de décharge inférieure.
5. Pour empêcher le blocage de la pompe par l'air pendant son fonctionnement, percer un trou de 3,2 mm (1/8 po) dans le tuyau de décharge inférieur, à environ 5,1 cm (2 po) au-dessus de la base du tuyau (sous le niveau du plancher).
6. Installer un clapet de non retour FP0026-10 (acheté séparément) sur l'extrémité supérieure du tuyau. Resserrer les colliers à tuyau correctement. S'ASSURER que les flèches de débit sont orientées vers le HAUT (à l'écart de la pompe de secours). Si les flèches sont orientées vers le bas, le clapet ne laissera pas passer l'eau et la pompe ne fonctionnera pas.
7. Couper le tuyau de décharge de la pompe de puisard principale (PPP) au-dessus du joint et vérifier le clapet de non retour (le cas échéant). Faire cette coupe à environ 45,7 cm (18 po) au-dessus de la colonne montante du SSB, avec la pompe placée à l'endroit prévu.
8. Si la PPP n'est pas dotée d'un clapet de non retour sur le tuyau de décharge, en installer un maintenant.
9. Couper un bout de tuyau de décharge pour la PPP; le bout de tuyau sera inséré entre le clapet de non retour et une division à 45°. Vérifier que le tuyau est suffisamment long pour être collé aux deux joints.
10. Installer la division à 45° sur le tuyau de décharge de la PPP.
11. Installer un coude de 45° sur le tuyau de décharge de 3,8 cm (1-1/2 po) du SYSTÈME DE SECOURS À BATTERIE.
AVIS : Il est possible qu'il soit nécessaire d'insérer un bout de tuyau droit entre le coude et la division. Si c'est le cas, se servir d'un coude standard de 45°. Si non, si le coude s'insère directement dans la division, utiliser un coude ABS de 45°.
12. Ajuster le tuyau de décharge supérieur sur l'extrémité supérieure de la division.
AVIS : Il est de pratique courante de couper un petit bout de tuyau pour l'insérer dans la division et d'installer un joint sur le tuyau. Faire continuer le tuyau de décharge à partir de la sortie latérale du joint. Cela facilitera le retrait du système pour fins de nettoyage ou de réparation. Il est possible de se servir à cet effet d'un ensemble de flexible et colliers U74-68.
13. S'assurer que le SSB se trouve à l'écart de la pompe principale et de son interrupteur. S'il n'y a pas suffisamment d'espace pour placer le SSB près de la pompe principale au fond du puisard, il faut surélever le SSB (selon votre situation particulière).
14. Mettre l'ensemble à l'essai pour vérifier que tout est bien ajusté. De l'aide peut être nécessaire pour retenir l'ensemble pendant que l'ajustement sans colle est vérifié. Faire une marque sur tous les joints avant de mettre de la colle.

⚠ AVERTISSEMENT Risque d'incendie et d'inhalation de produits chimiques. Il est important de suivre les recommandations du fabricant en matière de risques d'incendie et de ventilation lorsque de la colle, de l'apprêt ou du ciment à PVC est utilisé.

15. Séparer les tuyaux, nettoyer les joints puis remonter le système en se servant d'un apprêt et d'une colle à PVC.
16. Installer l'interrupteur du système de secours à batterie comme montré, soit 2,5 cm (1 po) au-dessus du niveau d'eau de démarrage de la pompe principale. L'attacher au tuyau avec des attaches de câble fournies.
17. Fixer le cordon de la pompe avec du ruban adhésif sur la colonne montante avant que la prise ne puisse pas tomber dans le puisard.
18. Se rendre à la section « CÂBLAGE ET MISE EN PLACE DU SSB » (page 8) pour obtenir les directives de câblage.
19. Une fois le câblage en place, remplir le puits d'eau et vérifier que la pompe de puisard principale fonctionne mais que le SSB ne démarre pas. Ensuite, débrancher la pompe de puisard principale et remplir le puits d'eau à nouveau. Vérifier que la pompe du SSB parvient à éliminer l'eau.
20. S'assurer que les deux pompes sont alimentées en électricité; votre système est maintenant prêt à utiliser.

EXIGENCES DE LA BATTERIE

⚠ AVERTISSEMENT Courant électrique dangereux. Risque de brûlures graves et d'incendie en cas de court-circuit des bornes de la batterie. Mettre la batterie dans un boîtier. Pour prévenir toute occurrence accidentelle d'un court-circuit dans les bornes de la batterie, fermer et verrouiller le boîtier de la batterie. Ne pas laisser la batterie non protégée.

⚠ Ne pas laisser les enfants jouer à proximité de l'installation du système de secours à batterie.

La performance de votre pompe de puisard de secours dépend de la batterie utilisée comme source d'alimentation. Nous recommandons l'utilisation de notre batterie BAT40 ou BAT75. Il est également possible d'utiliser une batterie groupée à décharge poussée 24M ou 27M. Ces batteries offriront une performance acceptable et résisteront à de longues périodes avec peu ou pas d'utilisation.

Ce système a été conçu pour fonctionner avec une batterie AGM (plomb-gel et feutre) scellée ou une batterie plomb-acide à électrolyte liquide. L'utilisation d'une vraie batterie à électrolyte gélifié (souvent confondue pour une batterie AGM) ou d'une batterie automobile standard n'est pas recommandée avec ce chargeur. Il pourrait être nécessaire de laisser recharger une batterie automobile après seulement 1 ou 2 heures d'utilisation continu; les cycles de chargement répétés pourraient ruiner complètement les plaques de la batterie.

N'utiliser que des batteries plomb-acide. Cette unité n'a pas été conçue pour fonctionner avec des batteries Li-Ion, NiMh, NiCAD, à polymère liquide, etc.

N'utiliser que la batterie recommandée ou une autre de même type et de même taille, afin qu'elle puisse être insérée dans le boîtier à batterie (taille maximale : 330,2 x 177,8 x 254 mm (13 x 7 x 10 po) et qu'elle puisse fournir suffisamment de tension pour que la performance de l'unité soit complète.

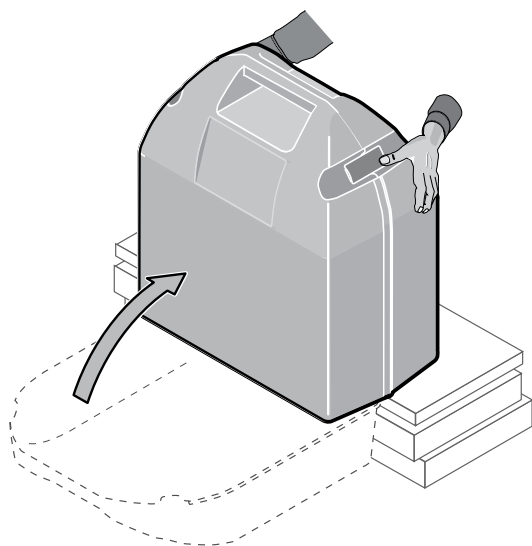
ENTRETIEN DE LA BATTERIE

⚠ AVERTISSEMENT **Risque de brûlures graves.** Une batterie plomb-acide standard est remplie d'acide sulfurique. Éviter tout contact avec la peau, les yeux ou les vêtements.

AVIS : Pour protéger le boîtier de la batterie et éviter de l'écailler ou d'y creuser des rainures, ne pas laisser la batterie posée sur un plancher de ciment. Installer la batterie sur une étagère ou une surface protectrice (contreplaqué, planches, etc.). Toujours installer la batterie dans un endroit sec à l'abri des inondations.

Tests de pré-qualification - 1 et 2

Le chargeur fonctionne à très bas niveau pour essayer de ramener une batterie morte à la vie. Si la batterie prend trop de temps à charger, tenter de réinitialiser le chargeur à une ou deux reprises (appuyer sur les touches de vérification système et de mise en sourdine de l'alarme en même temps pour réinitialiser le chargeur).



Caractéristiques spéciales :

Le chargeur est doté de protections pour les batteries installées à l'envers, les courts-circuits et les « débits d'emballage ».

Problèmes possibles et solutions

- 1. Mauvaise tension de la batterie**
Rebrancher le chargeur sur une batterie de 12 volts.
- 2. Connexions de la batterie inversées**
Vérifier toutes les connexions. La borne négative (noire) de la batterie doit être reliée à la borne négative (noire) du chargeur, tandis que la borne positive (rouge) de la batterie doit être reliée à la borne positive (rouge) du chargeur. L'inversion des connexions entraînera l'activation des témoins DEL d'alerte de système et d'alarme mise en sourdine, qui vont clignoter.
- 3. État d'emballage thermique**
« Emballage thermique » est un terme technique qui réfère à l'état de la batterie lorsque certaines (ou toutes) cellules de la batterie sont dégradées au point de ne plus se charger. Il faut alors remplacer la batterie.
- 4. Moniteur de temps de chargement - 1 et 2**
Il a fallu trop de temps pour que la batterie achève de se charger. Le « moniteur de durée de chargement » arrête le chargeur après 84 heures de chargement continu.
Les causes possibles sont les suivantes :
A) La pompe a fonctionné pendant un long moment pendant le chargement, ou
B) La batterie est trop grosse pour le chargeur (comprend plusieurs batteries branchées dans un circuit parallèle).

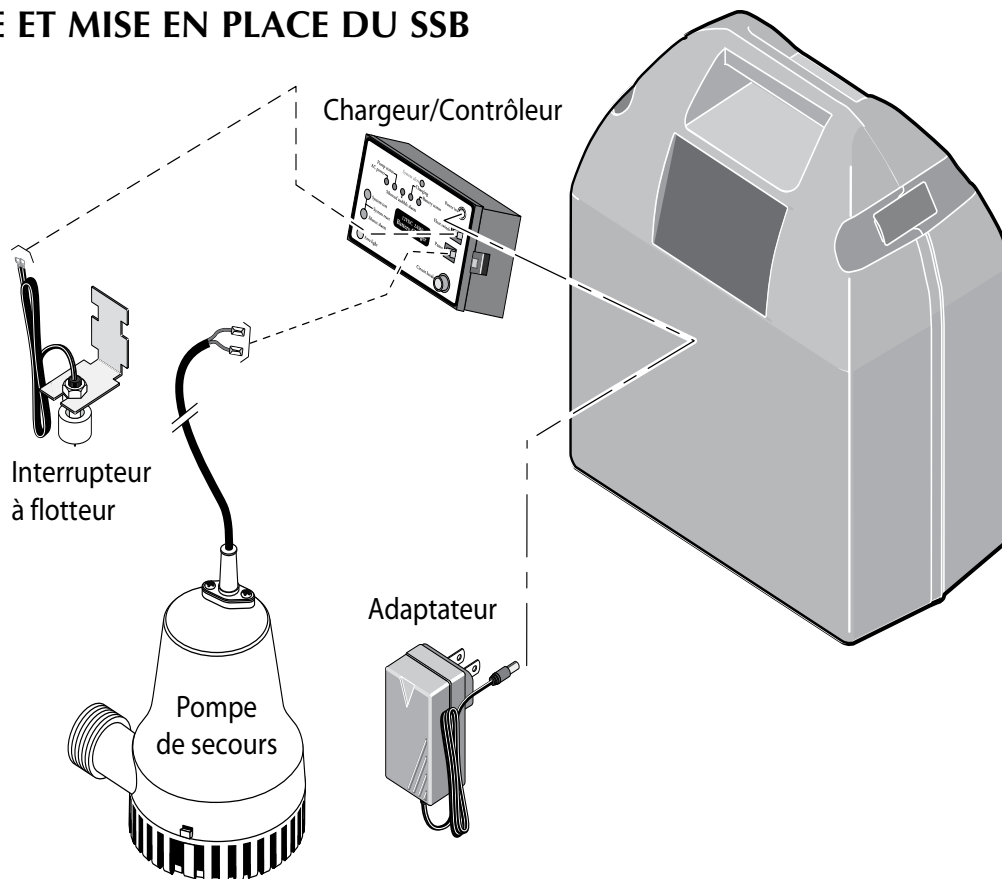
Drainage excessif de la batterie

La pompe peut avoir fonctionné pendant un long moment, ce qui a entraîné la décharge de la batterie. Dans ce cas :

1. Si l'alimentation 115 V CA est coupée, le chargeur s'arrête au retour de l'alimentation; la pompe fonctionne cependant tant que la batterie a de la charge. Il se peut qu'il soit nécessaire de remplacer la batterie par la suite.
2. Si l'alimentation 115 V CA est activée, le chargeur/contrôleur continue d'essayer de charger la batterie au rythme de 0,5 AH ce jusqu'à ce que la charge de la batterie excède 20 %, à quel point le chargeur reprendra le chargement à un rythme de 2 AH.
3. Si la pompe fonctionne pendant que le système est sous tension CA, il est possible qu'il soit nécessaire d'arrêter la pompe pour permettre à la batterie de se recharger.

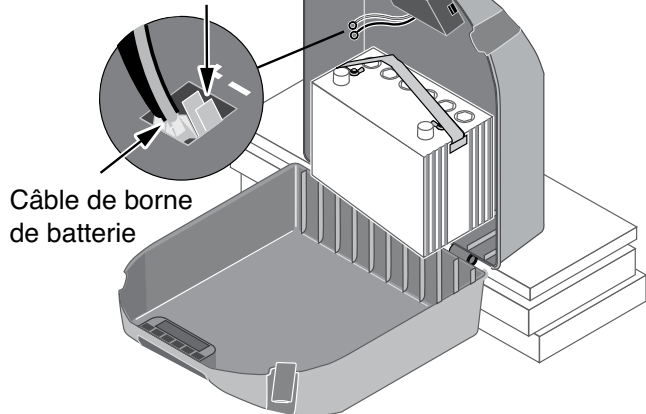
Suivre les recommandations du fabricant de la batterie concernant l'entretien et l'utilisation sûre de la batterie.

CÂBLAGE ET MISE EN PLACE DU SSB



1. Brancher le fil de la borne positive (+) (rouge) du contrôleur/chargeur à la borne positive (+) (rouge) de la batterie. Faire de même pour les bornes négatives (-) (noires). Si l'installation comprend deux batteries, se servir de l'ensemble de bornes en option et brancher la deuxième batterie. Pour ce faire, utiliser les fils de borne (non inclus) pour relier la borne positive (+) du chargeur/contrôleur à la borne positive (+) de la batterie et répéter le processus avec les bornes négatives (-).

Bornes de batterie secondaire optionnelle



2. Les bornes de la pompe de secours sont sensibles à la polarité; brancher la borne positive de la pompe à la borne portant l'étiquette Pompe '+' et la borne négative de la pompe à la borne portant l'étiquette Pompe '-'.
AVIS : Si les bornes sont inversées, la pompe va fonctionner à l'envers et ne pompera pas d'eau.
3. Les bornes de l'interrupteur à flotteur ne sont pas sensibles à la polarité; brancher les bornes de l'interrupteur à flotteur sur les onglets 'Float Switch' (interrupteur à flotteur) du chargeur/contrôleur.
4. Vérifier le flotteur et la pompe en soulevant le flotteur et en le tenant ainsi. Le témoin DEL 'Pump Status' (état de la pompe) sera allumé en continu et l'alarme va se faire entendre en continu. La pompe devrait démarrer après environ 3 secondes. Si ce n'est pas le cas, vérifier tous les branchements; les refaire au besoin.
5. Pour arrêter la pompe, abaisser le flotteur; la pompe devrait s'arrêter après 25 secondes. Le témoin DEL d'état de la pompe devrait clignoter et l'alarme devrait émettre un bip.
6. Pendant que la pompe fonctionne, vérifier le fonctionnement de la touche 'SILENCE ALARME' (alarme en sourdine); la retenir enfoncée pendant une seconde puis la relâcher. Le témoin DEL d'alarme mise en sourdine devrait s'allumer et l'alarme devrait cesser. Pour réinitialiser l'alarme (la laisser retentir) et éteindre le témoin DEL d'alarme mise en sourdine, appuyer à nouveau sur la touche 'Silence Alarm' (alarme en sourdine).
Enfoncer la touche 'System Test' (vérification système) pendant une seconde puis la relâcher. Le témoin DEL d'état de la pompe devrait cesser de clignoter.

Figure 5 : l'entrée de la batterie se trouve dans le boîtier de la batterie. Soutenir le boîtier lors de son ouverture. Le support doit avoir une épaisseur d'au moins 10,2 cm (4 po).*

AVIS : Lors du fonctionnement normal, le témoin DEL d'état de la pompe se met à clignoter pour indiquer que la pompe s'est mis en fonction pendant votre absence.

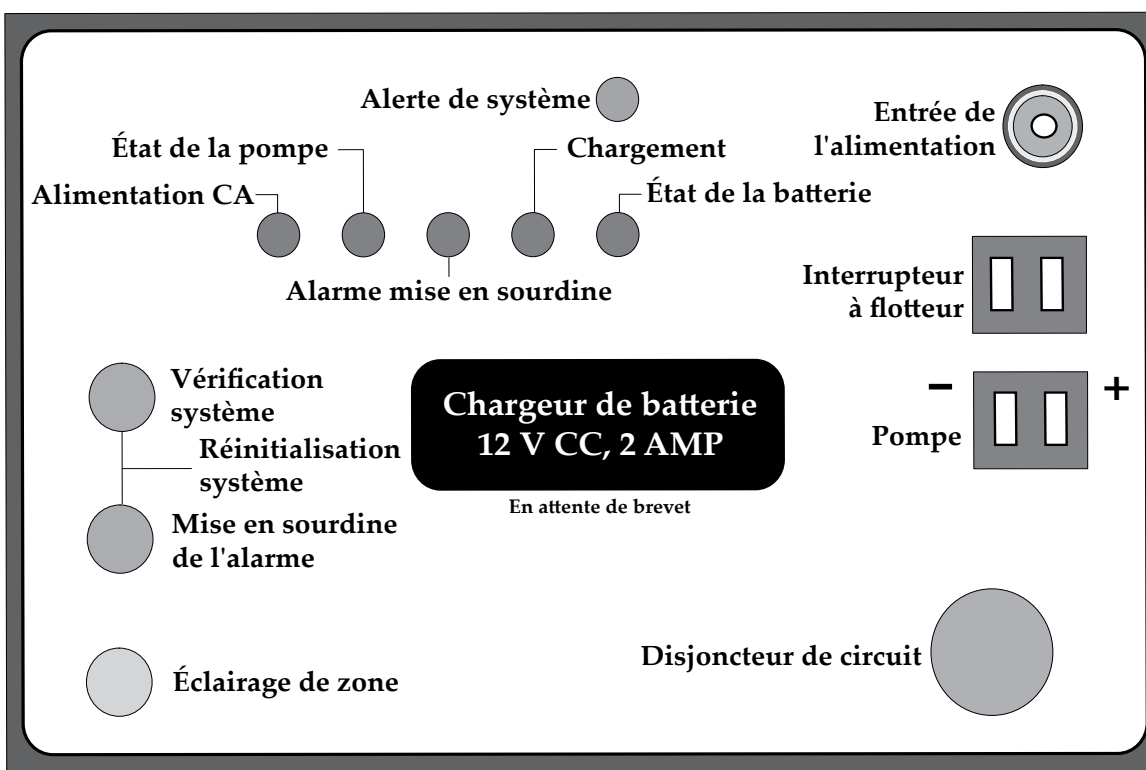
7. Appuyer sur la touche de 'System Test' vérification du système et le tenir enfoncé. Tous les témoins DEL vont s'allumer, la pompe va se mettre en fonction et l'alarme va retentir. Relâcher la touche pour éteindre les témoins DEL, arrêter la pompe et couper l'alarme.
8. Le témoin DEL d'état de la batterie indique la capacité de la batterie lorsque l'alimentation CA est coupée.
 - A. Continuellement allumé - la tension de la batterie est supérieure à 10,9 volts de courant continu (10,9 V CC) et sa capacité est supérieure à 20 %.
 - B. Bip lent/clignotement lent du témoin DEL - la capacité de la batterie se trouve entre 0 et 20 %.

- C. Bip rapide/clignotement rapide du témoin DEL - la batterie est gravement déchargée. La batterie va continuer de se charger (tant que le chargeur reçoit une alimentation CA de 115 V) à un rythme de 0,5 AH jusqu'à ce que la charge de la batterie soit supérieure à 20 % de sa capacité.

Lors du premier avertissement (bip lent/clignotement lent), la pompe continuera à fonctionner pendant environ 2 heures (ou moins). Le temps de fonctionnement réel dépend de l'état de la batterie; il peut être aussi bas que 15 minutes.

4. Brancher le câble d'alimentation (fourni) dans la prise d'alimentation du chargeur/contrôleur.

Affichage DEL et touches de commande



AVIS : lorsque l'unité est branchée ou qu'elle obtient de l'énergie de la part de la batterie pour la première fois, le témoin DEL d'état de la batterie clignote pendant 3 secondes.

AVIS : pour activer une touche de commande, l'enfoncer pendant 1 seconde.

TABLEAU IV - Affichage des codes d'erreur (témoins DEL qui clignotent)






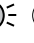







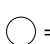
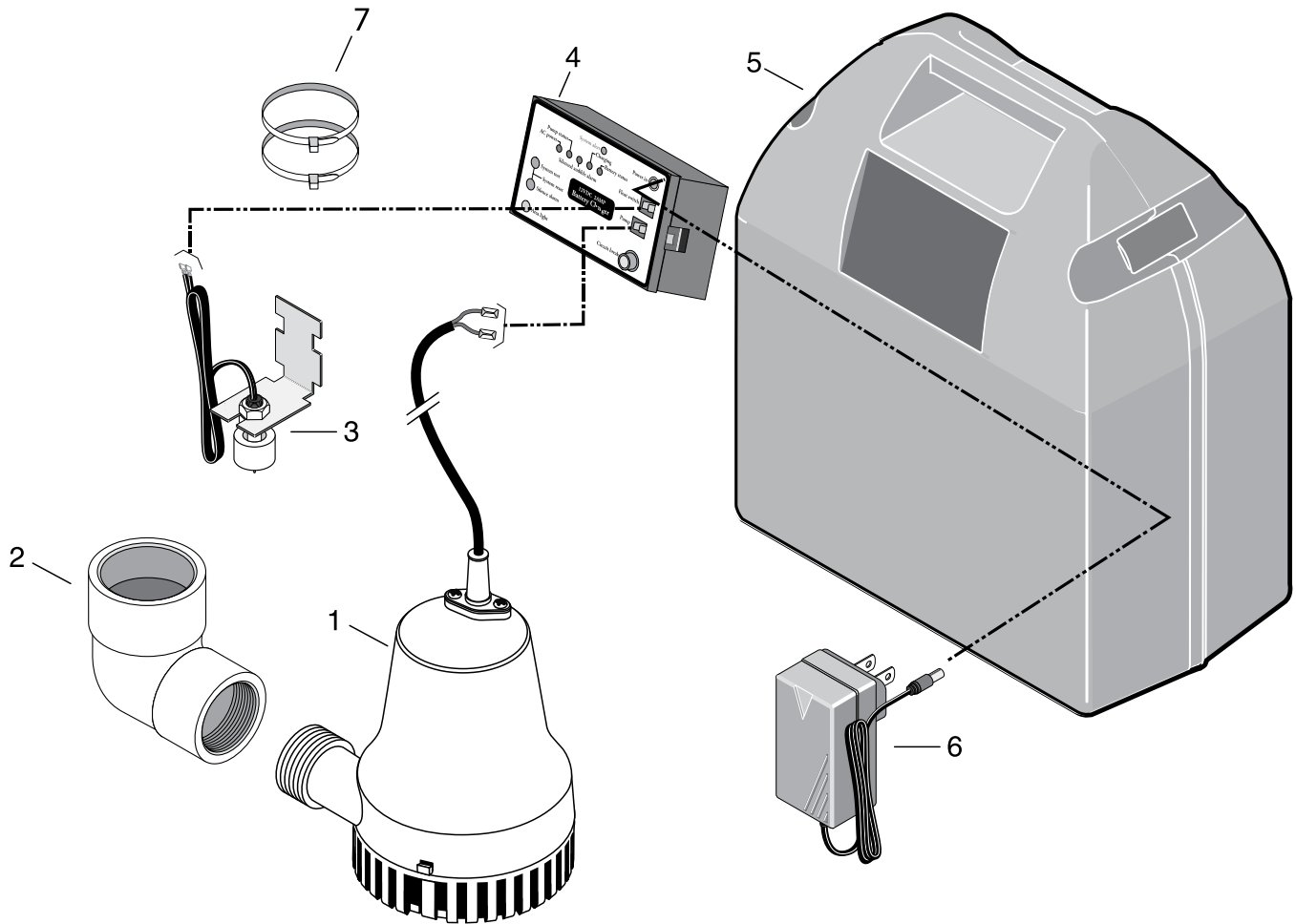
Affichage du code d'erreur DEL		État d'erreur et mesure de correction	
<p>ALERTE DE SYSTÈME </p> <p>ALARME MISE EN SOURDINE</p> <p>ACTIVITÉ DE LA POMPE</p> <p>ALIMENTATION CA</p> <p>CHARGEMENT</p> <p>ÉTAT DE LA BATTERIE</p>		<p>AVIS : lorsque le témoin DEL d'ALERTE DU SYSTÈME clignote, vérifier si l'une des conditions d'erreur suivantes est présente.</p>	
	État	Mesure	
	= Drainage excessif de la batterie;	Arrêter la pompe, laisser la batterie se recharger (alimentation CA activée)	
	= La batterie ne se recharge pas***;	Remplacer la batterie par une nouvelle batterie plomb-acide de 12 V	
	= Connexions de la batterie inversées;	Brancher ensemble les bornes (+) et faire de même avec les bornes (-),*	
	= Mauvaise tension de la batterie;	Remplacer la batterie par une nouvelle batterie plomb-acide de 12 V	
	= Test de pré-qualification échoué - 1**;	Remplacer la batterie par une nouvelle batterie plomb-acide de 12 V	
	= Test de pré-qualification échoué - 2**;	Remplacer la batterie par une nouvelle batterie plomb-acide de 12 V	
	= Moniteur de temps de chargement - 1;	Vérifier la batterie pour détecter tout dommage aux cellules; remplacer la batterie	
	= Moniteur de temps de chargement - 2;	Vérifier la batterie pour détecter tout dommage aux cellules; remplacer la batterie	
	= Charge de la batterie inférieure à 20 %;	La pompe va s'arrêter, la batterie n'est pas en train de se recharger. Remplacer la batterie.	
<p>* AVIS : si l'alimentation CA est coupée et que l'unité est morte (aucun témoin DEL allumé, aucune alarme sonore, pompe qui ne fonctionne pas), vérifier si les connexions entre la batterie et le chargeur/contrôleur sont inversées.</p> <p>** Le chargeur fonctionnait à très faible débit pour ramener une batterie morte à la vie, mais il a fallu trop de temps à la batterie pour charger. Essayer de réinitialiser le chargeur à une ou deux reprises (appuyer sur les touches de vérification système et de mise en sourdine de l'alarme en même temps pour réinitialiser le chargeur).</p> <p>*** État d'emballage thermique</p>			
	= Témoin DEL allumé en continu		= Témoin DEL qui clignote (rapidement)
	= Témoin DEL qui clignote (lentement)		= Témoin DEL éteint

TABLEAU V - Fonctions des touches de commande

Touche de commande :	Résultat de son utilisation :
Vérification système	La pompe démarre et tous les témoins DEL s'allument.
	Réinitialise le témoin DEL d'état de la pompe.
	Lorsque cette touche est enfoncée en même temps que la touche de mise en sourdine de l'alarme, le microprocesseur du chargeur/contrôleur se réinitialise et fait de même pour le code d'erreur.
Mise en sourdine de l'alarme	Bascule; empêche l'alarme de retentir. Enfoncer la touche pour réinitialiser.
Éclairage	Permet d'allumer ou d'éteindre l'éclairage-tempête du chargeur/contrôleur.
Réinitialisation système	Appuyer sur les touches de vérification système et de mise en sourdine de l'alarme pour réinitialiser le système.

DEPANNAGE

La pompe ne fonctionne pas :	Vérifier toutes les connexions de câblage.
	Vérifier si la batterie a une tension basse ou si elle est défectueuse.
	Vérifier que l'interrupteur automatique se déplace librement.
	Appuyer sur la touche de réinitialisation du disjoncteur de circuit se trouvant sur le panneau de commande.
Le moteur ronronne mais la pompe ne fonctionne pas :	Vérifier si la batterie a une tension basse ou si elle est défectueuse.
La pompe fonctionne mais pompe très peu ou pas du tout d'eau :	Vérifier que le clapet de non retour est en place entre la décharge de la pompe primaire et la division du système de secours à batterie et qu'il fonctionne.
	Vérifier que rien n'obstrue le tuyau de décharge.
	La longueur ou la hauteur du tuyau de décharge excède la capacité de la pompe. Se reporter au tableau VI de la page 11 pour connaître la capacité de la pompe.
	vérifier si la batterie a une tension basse ou si elle est défectueuse.
	Les fils positif (+) et négatif (-) de la pompe sont inversés. Les débrancher et les rebrancher au bon endroit.
La pompe effectue des cycles trop fréquemment :	vérifier que le clapet de non retour est en place entre la décharge de la pompe primaire et la division du système de secours à batterie et qu'il fonctionne correctement. Installer un clapet de non retour auxiliaire (se reporter aux pages 5 et 6) ou remplacer le clapet déjà en place, selon ce qui s'avère nécessaire.



No. clé	Description de la pièce	No. pièce
1	Pompe de secours CC	PS17-118
2	Coude ABS 3,2 cm (1-1/4 po) FNPT x 3,8 cm (1-1/2 po)	U78-1012
3	Interrupteur à flotteur	PS17-2003
4	Chargeur/Contrôleur	PS217-1521
5	Boîtier de la batterie (complet)	PS17-1512
6	Adaptateur CA	PS17-2008
7	Attache de câble en plastique de 27,9 x 35,6 cm (11 x 14 po)	*

* Vendu séparément.

** En cas de défaillance de la pompe, remplacer tout le système.

Batteries optionnelles

*Vendues séparément

No. clé	Description de la pièce	No. pièce
X	AGM 75 A-Heure	BAT75
X	AGM 40 A-Heure	BAT40

Garantie limitée :

Myers® garantit à l'acheteur initial (« l'acheteur » ou « vous ») des produits figurant ci-dessous qu'ils seront exempts de tout défaut de matériel et de fabrication pour la période de garantie indiquée ci-dessous.

Produit	Période de garantie
Pompes à éjecteur, petites pompes centrifuges, pompes submersibles et accessoires connexes	selon la première éventualité : 12 mois à partir de la date de première installation ou 18 mois à partir de la date de fabrication
Réservoirs en fibre enroulée	5 ans à partir de la date de première installation
Réservoirs sous pression en acier	5 ans à partir de la date de première installation
Produits pour puisard/eaux usées/effluents	12 mois à partir de la date de première installation ou 36 mois à partir de la date de fabrication
Unités de batterie de secours	
MBSP-2, MBSP-2C	12 mois à partir de la date de première installation ou 18 mois à partir de la date de fabrication
MBSP-3, MBSP-3C	24 mois à partir de la date de première installation ou 30 mois à partir de la date de fabrication
Pompes de traitement des matières solides des eaux usées	12 mois à partir de la date d'expédition de l'usine ou 18 mois à partir de la date de fabrication

Notre garantie s'applique uniquement quand ces produits sont utilisés conformément aux exigences du catalogue et/ou des manuels des produits concernés. Pour plus d'information, consultez la garantie limitée standard applicable dans le manuel du produit.

Notre garantie ne s'applique pas aux produits qui, à notre seul avis, ont fait l'objet de négligence, d'une mauvaise utilisation, d'une mauvaise installation ou d'un manque d'entretien adéquat. Sans aucune limitation des présentes, l'utilisation d'un moteur triphasé sur un courant monophasé par l'intermédiaire d'un déphaseur annulera la garantie. Il faut également noter que les moteurs triphasés doivent être protégés par un relais de surcharge tripolaire thermocompensé à déclenchement extrêmement rapide du calibre recommandé, sinon la garantie sera annulée.

Votre seul recours et la seule responsabilité de MYERS sont que MYERS répare ou remplace les produits défectueux (au choix de MYERS). Vous vous engagez à payer tous les frais de main-d'œuvre et d'expédition du produit couvert par cette garantie et de vous adresser au concessionnaire-installateur dès qu'un problème est découvert pour obtenir un service sous garantie. Aucune demande de service ne sera acceptée après l'expiration de la période de garantie. Cette garantie n'est pas transférable.

MYERS NE SERA TENUE RESPONSABLE D'AUCUN DOMMAGE INDIRECT, ACCIDENTEL OU FORTUIT, QUEL QU'IL SOIT.

LES GARANTIES LIMITÉES SUSMENTIONNÉES SONT EXCLUSIVES ET REMPLACENT TOUTES LES AUTRES GARANTIES EXPRESSES ET TACITES, Y COMPRIS, MAIS SANS S'Y LIMITER, LES GARANTIES TACITES DE QUALITÉ MARCHANDE ET D'ADAPTATION À UN USAGE PARTICULIER. LES GARANTIES LIMITÉES SUSMENTIONNÉES NE DOIVENT PAS ÊTRE PROLONGÉES AU-DELÀ DE LA DURÉE PRÉVUE AUX PRÉSENTES.

Certaines provinces n'autorisent pas d'exclure ou de limiter les dommages fortuits ou indirects ou de limiter la durée d'une garantie implicite; il se peut donc que les limitations ou exclusions ci-dessus ne s'appliquent pas à votre cas. La présente garantie vous donne des droits juridiques spécifiques et vous pouvez en avoir d'autres qui varient d'une province à l'autre.

Cette garantie limitée entre en vigueur le 1er avril 2014 et remplace toutes les garanties non datées et les garanties datées avant le 1er avril 2014

F.E. MYERS

293 Wright Street, Delavan, WI 53115

Téléphone : 888-987-8677 Télécopieur : 800-426-9446 • www.femyers.com
Au Canada : 490 chemin Pinebush, unité 4, Cambridge (Ontario) N1T 0A5
Téléphone : 800-387-4386 Télécopieur : 888-606-5484

Instrucciones de seguridad importantes

GUARDE ESTAS INSTRUCCIONES - Es manual contiene instrucciones importantes que se deben seguir durante la instalación, operación y mantenimiento del producto.

⚠ Este es el símbolo de alerta de seguridad. Cuando vea ese símbolo en su bomba o en este manual, busque alguna de las siguientes palabras de señales y ¡esté alerta por posibles lesiones personales!

⚠ PELIGRO indica peligro, el cual, si no se evita, ocasionará lesiones graves o la muerte.

⚠ ADVERTENCIA indica peligro, el cual, si no se evita, puede ocasionar lesiones graves o la muerte.

⚠ PRECAUCIÓN indica peligro, el cual, si no se evita, puede ocasionar lesiones menores o moderadas.

AVISO se refiere a prácticas no relacionadas con lesiones personales.

Lea detenidamente y siga todas las instrucciones de seguridad de este manual y en la bomba.

Mantenga las etiquetas de seguridad en buen estado. Reemplace las etiquetas de seguridad que hagan falta o estén dañadas.

Para evitar riesgos de lesiones corporales graves debido a descargas eléctricas o quemaduras y daños en propiedades debido a inundaciones, lea detenidamente las instrucciones de seguridad antes de instalar la bomba.

⚠ ADVERTENCIA El ácido de batería es corrosivo. No lo derrame en la piel, ropa o en el cargador de la batería.

Use protección ocular y en la cabeza cuando trabaje con la batería. Conecte y desconecte los terminales de salida de CC solamente después de quitar el cargador de la toma eléctrica de CA. Nunca deje que los terminales de CC se toquen entre sí.

⚠ ADVERTENCIA Voltaje peligroso. Puede causar descargas eléctrica graves o fatales. No conecte ni desconecte el cargador de la batería mientras esté parado en un suelo mojado o en agua. Asegúrese de que una mano esté libre cuando conecte o desconecte el cargador. y el suelo del sótano esté mojado, desconecte la alimentación eléctrica del sótano antes de caminar en el suelo.

⚠ PRECAUCIÓN Riesgo de inundaciones. No use la bomba seca. Si lo hace, los sellos se dañarán y se pueden presentar fugas y daños en propiedades.

Siga las normas eléctricas y de plomería nacionales cuando instale el sistema. Se recomienda usar un Interruptor de Circuitos por Pérdida a Tierra (GFCI) en cualquier equipo eléctrico sumergido en agua.

Use este sistema solamente para trabajos de bombas del sumidero de respaldo en aplicaciones residenciales. No está diseñado como bomba del sumidero principal.

No levante la bomba tomándola por el cable eléctrico.

⚠ ADVERTENCIA Riesgo de descargas eléctricas. No levante la bomba tomándola por el cable eléctrico; levante la bomba solamente tomándola por el tubo de descarga. Si la levanta tomándola por el cable eléctrico, se puede dañar el cable eléctrico.

Bombee agua limpia solamente con esta bomba.

La bomba viene permanentemente lubricada de fábrica. ¡No trate de lubricarla!

Mantenga el cargador de la batería y la caja de la batería lejos del suelo y en un área seca, fresca y bien ventilada.

AVISO: si se instala un sensor de Monóxido de Carbono (CO), debe estar alejado al menos 15 pies del cargador de la batería con el fin de evitar alarmas molestas de CO.

Para evitar peligro de fuego o explosión, mantenga alejadas de la batería la chispas y llamas (luz piloto).

La distancia máxima de bombeo vertical es de 14 pies (4,3 m) para el modelo MBSP-2.

Asegúrese de que el sumidero no tenga desechos. Los desechos pueden dañar la bomba lo cual puede producir inundaciones.

INFORMACIÓN GENERAL

El sistema del sumidero de respaldo de la batería no es un sustituto de su bomba del sumidero principal. Está diseñado para respaldar temporal mente su bomba del sumidero principal durante una interrupción de la alimentación eléctrica u otro problema que evite el funcionamiento normal de la bomba principal. No use este sistema para bombear líquidos o químicos inflamables. Bombee agua limpia solamente con esta bomba.

Mantenga el cargador de la batería seco y protegido de daños.

Este sistema está diseñado para funcionar con una batería AGM sin ácido-plomo sin mantenimiento de sellado de ciclo profundo. También funcionará con una batería de ácido-plomo inundada. No se recomiendan las baterías de ácido-plomo inundadas selladas y de gel. En una emergencia (tal como la interrupción extendida de la alimentación eléctrica) lo cual agota la batería de ciclo profundo del sistema, la batería de su auto se puede sustituir temporalmente. Asegúrese de reemplazar la batería de ciclo profundo del sistema lo más pronto posible. El uso de una batería de automóvil, en vez de una batería de ciclo profundo en este sistema, reducirá significativamente el rendimiento total del sistema. Las baterías de automóviles no están diseñadas para este tipo de aplicaciones y se dañarán rápidamente debido al ciclo repetido de carga/descarga. **AVISO:** ¡este sistema no está diseñado para aplicaciones que involucren agua salada, salmuera o donde puedan existir peces! Usarlo de esta forma anulará la garantía.

Advertencia de la Proposición 65 de California

⚠ ADVERTENCIA Este producto y accesorios relacionados contienen sustancias químicas reconocidas en el Estado de California como causantes de cáncer, malformaciones congénitas y otros daños al sistema reproductivo.

HERRAMIENTAS BÁSICAS Y PARTES NECESARIAS (SE DEBEN COMPRAR SEPARADAMENTE)

- Seguros de canales o pinzas grandes ajustables
- Cinta métrica
- Llave de tubo o destornillador para tuercas de 5/16"
- Cuchillas laterales
- Segueta (para cortar tubos de PVC)
- Pinzas medianas
- Destornillador plano
- Destornillador de estría (cruz)
- Lápiz o marcador
- Cinta sellante para rosca de tubo PTFE
- Pegamento de PVC (soldadura de solvente)
- Limpiador de tubos de PVC
- Toalla de tela
- Accesorios de plástico
- Válvulas de retención - 1 o 2 dependiendo de la instalación
- Almacenamiento de 38-120 amperio-hora o batería de ciclo profundo

Capacidad requerida de la batería:

Para obtener los mejores resultados, use las siguientes baterías de almacenamiento AGM:

Parte	Amp-Hora	Gal/Carga a 10'	Tiempo de funcionamiento aproximado
BAT40	40	3000	4,5 horas
BAT75	75	7000	10,3 horas

- Unidad equipada con capacidad para dos baterías
- Hora-amp máximo: 120

AVISO: el cargador no cargará completamente las baterías con índices amp-hora sin restablecer el sistema.

Head in Feet	0	5	10	13.35
Head in Meters	0	1.5	3	
GPM	34	23	10	0
LPM	129	87	38	0

SISTEMA DE RESPALDO DE BATERÍAS (BBU) INSTALACIÓN Y FUNCIONAMIENTO

AVISO:

- Instale este sistema cuando no necesite la bomba principal. Prepare todos los elementos antes de empezar. Lea todos los pasos de instalaciones y advertencias antes de empezar
- Prepárese para fugas de agua de los acoplamientos o tubos cuando desarme o corte el tubo de descarga. Proteja los componentes del sistema, herramientas y suministros para que no se mojen. Seque cualquier área de trabajo que se moje.

AVISO: estudie las páginas 4-6 para determinar el método de instalación más adecuado para usted. Se recomienda la instalación "Separar descarga" (Figura 2, página 4).

AVISO: consulte las normas y ordenanzas locales relacionadas con el desecho de aguas residuales (especialmente cuando descargue la bomba fuera de la casa) antes de empezar. La instalación debe cumplir todos los requisitos legales.

Si es posible, instale la BBU de tal manera que la descarga vaya directamente al exterior (separe el tubo de descarga del tubo de descarga de la bomba del sumidero principal). Si esta no es una opción práctica, consulte la opción "Descarga común" (Figura 3, página 4).

AVISO: para TODAS las instalaciones, una vez que se complete la instalación, ponga a funcionar la bomba del sumidero principal y la BBU a través de al menos un ciclo completo para garantizar que todo funcione correctamente.

⚠ ADVERTENCIA Peligro de lesiones personales o inundaciones.

No encienda la bomba hasta que todos los accesorios estén pegados y el pegamento se haya secado. Los accesorios sueltos pueden explotar de los tubos y causar lesiones personales e inundaciones.

⚠ ADVERTENCIA Riesgo de descargas eléctricas. En el disyuntor o caja de fusibles, corte el suministro de energía eléctrica a la bomba del sumidero antes de empezar esta instalación.

Configuración

1. Busque el nivel más alto de agua en su colector de fango (el nivel de agua en donde empieza la bomba del sumidero existente (principal) - consulte la Figura 1). Corte la alimentación eléctrica a la bomba y marque este punto en el tubo de descarga con un lápiz o marcador.
2. Drene el colector de fango lo más lejos posible sin arrancar la bomba seca. Haga esto mediante:
 - A. INTERRUPTOR DEL TOMACORRIENTE SUPERPUESTO: desconecte la bomba y el interruptor del tomacorriente, luego desconecte la bomba del interruptor del tomacorriente superpuesto. Restablezca el disyuntor o reinstale el fusible y conecte la bomba directamente en el tomacorriente. La bomba se iniciará. Drene el colector y desconecte la bomba. O
 - B. SIN INTERRUPTOR DEL TOMACORRIENTE SUPERPUESTO: restablezca el disyuntor o reinstale el fusible y use una manija de escoba o palo no conductor para levantar el interruptor del flotador. La bomba debería arrancar. Drene el colector y luego suelte el interruptor.
3. Después de haber drenado el colector, desactive (abra) el disyuntor o quite el fusible otra vez para evitar descargas eléctricas mientras esté haciendo la instalación.

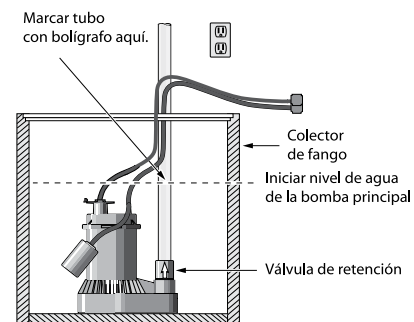


Figura 1: Marque el tubo en el nivel de agua de 'inicio'

"Separar descarga"

AVISO:

Las charnelas de la válvula de retención deben oscilar en direcciones opuestas y las flechas de flujo deben estar dirigidas LEJOS de la bomba que se está protegiendo.

El nivel del agua cuando el interruptor se cierre debe estar por encima del conducto de entrada de la bomba BBU.

* Suministrado con el Sistema de Respaldo de Baterías.

Los elementos en *itálicas* se deben comprar separadamente.

**No está a escala.
Se ha omitido el cableado para dar claridad.**

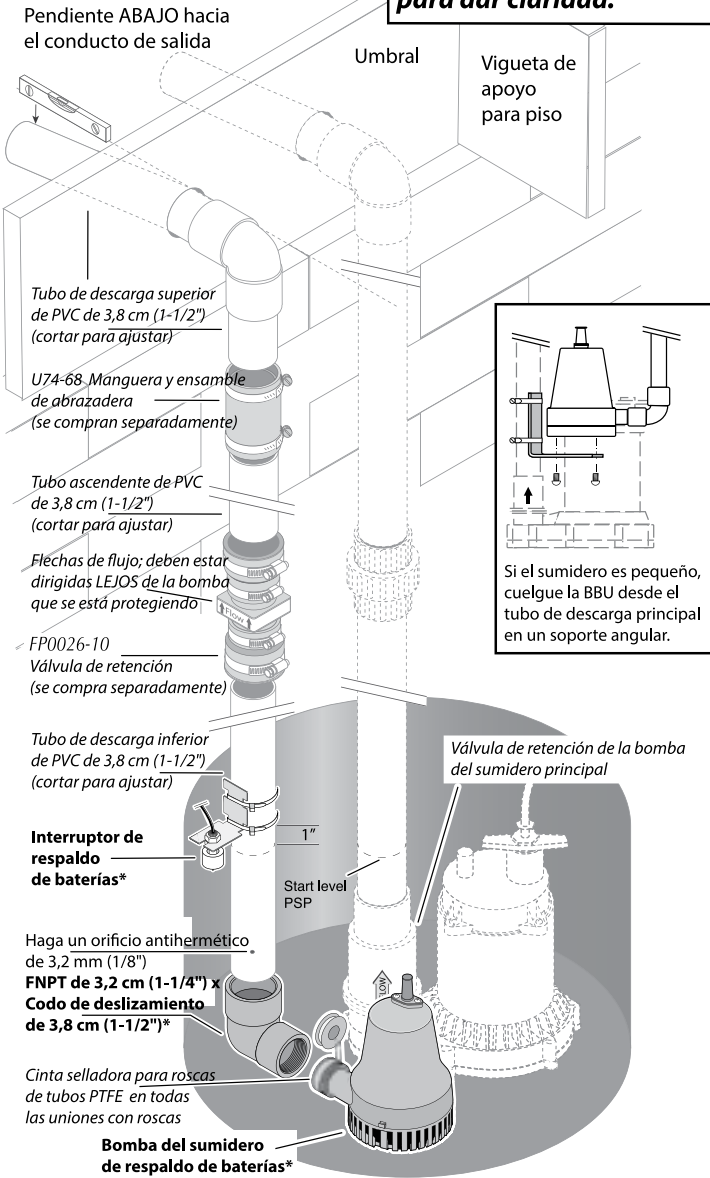


Figura 2: Instalación típica con tubos de descarga separados.

"Descarga común"

AVISO: En esta instalación, si la Bomba del Sumidero Principal (PSP) no tiene una válvula de retención instalada debajo del conector en Y, usted DEBE instalar una válvula de retención para la PSP como se muestra. Esto evita el flujo de agua en el sumidero proveniente del Sistema de Respaldo de Baterías. Las charnelas de la válvula de retención deben oscilar en DIRECCIONES OPUESTAS y las flechas de flujo deben estar dirigidas LEJOS de la bomba que se está protegiendo. El nivel del agua cuando el interruptor se cierre debe estar por encima del conducto de entrada de la bomba BBU.

**No está a escala.
Se ha omitido el cableado para dar claridad.**

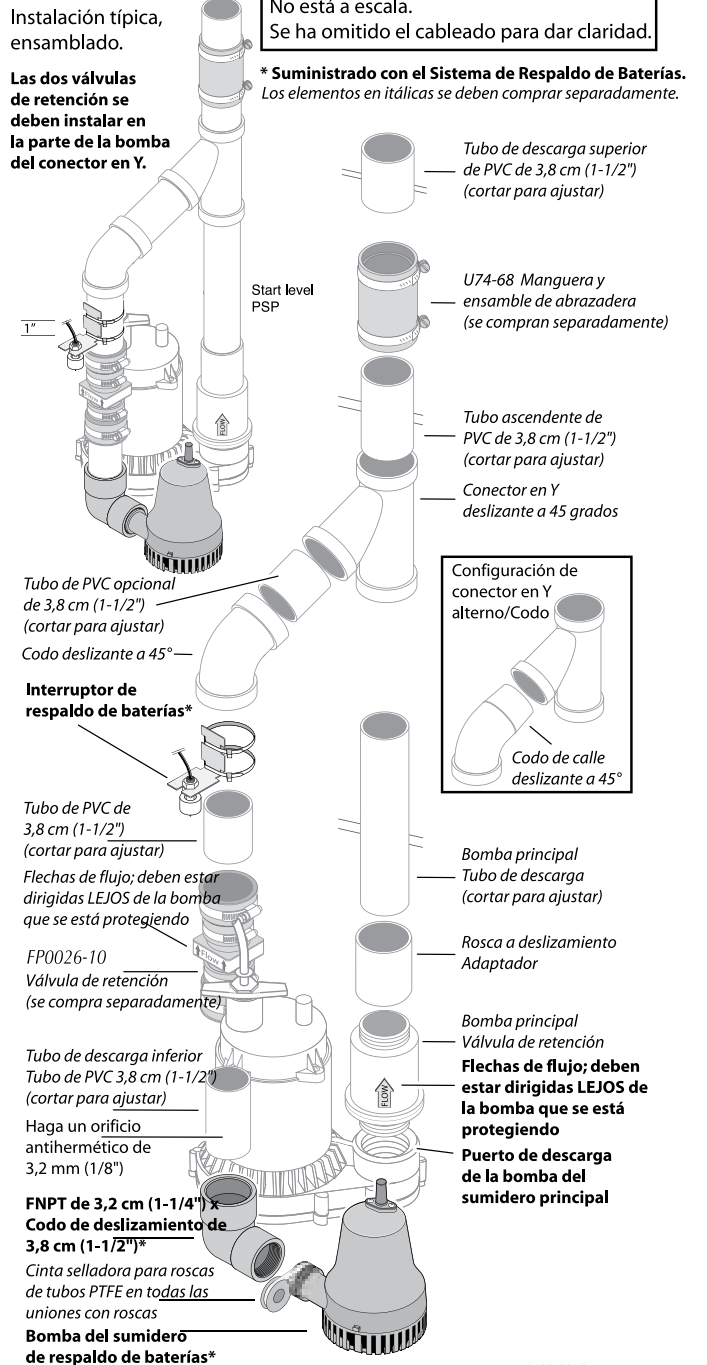


Figura 3: Instalación típica con tubos de descarga comunes.

INSTALACIÓN (Típica): Separar descarga

⚠ ADVERTENCIA **Riesgo de descargas eléctricas.** Puede producir descargas, quemaduras o causar la muerte. Desconecte la bomba del sumidero principal antes de empezar este procedimiento.

AVISO: permita superposición cuando corte los tubos y haga alguna prueba de los accesorios (secos) antes de usar pegamento.

1. Use Cinta selladora para rosca de tubo PTFE en los extremos machos del tubo de descarga. Enrosque el codo de 1-1/4" x 1-1/2" (suministrado) en el tubo de descarga. Cuando esté apretado, el codo debe estar dirigido hacia arriba.
2. Si es posible, instale la Unidad de Respaldo de Baterías (BBU) en el suelo del sumidero; asegúrese de que las dos bombas no se toquen entre sí y no interfieran en el funcionamiento del interruptor.
AVISO: si hay desechos o gravilla en el fondo del colector de fango que la bomba pudiera succionar, ponga la bomba del sumidero principal y la BBU sobre ladrillos o bloques para evitar atascamiento.
3. Si el sumidero es muy pequeño para albergar las dos bombas en la base del sumidero, instale un soporte angular en el tubo de descarga de la bomba del sumidero principal con abrazaderas en acero inoxidable para mangueras. Monte la bomba de respaldo en el soporte angular. Consulte la Figura 1, "Separar descargas".
4. Corte un pedazo de tubo de PVC de 1-1/2" para alcanzar desde el codo de descarga de la bomba de respaldo hasta cerca de un (1) pie sobre el suelo del sótano. Este es el tubo de descarga inferior.
5. Para evitar hermeticidad de la bomba durante el funcionamiento, abra un orificio de 1/8" en el tubo de descarga inferior con aproximadamente 2" sobre la base del tubo (debajo del nivel del suelo).
6. Instale la válvula de retención FP0026-10 (se compra separadamente) en el extremo superior del tubo. Apriete de forma segura las abrazaderas para mangueras. **ASEGÚRESE** de que las flechas de flujo estén dirigidas hacia ARRIBA (lejos de la BBU). Si están hacia abajo, la válvula no permitirá el paso de agua y la bomba no funcionará.
7. Corte un pedazo de tubo de PVC de 1-1/2" para un tubo ascendente y asegúrelo con la abrazadera en la parte superior de la válvula de retención.
8. Instale una manguera y ensamble de abrazadera U74-68 en la parte superior del tubo ascendente. Para el tubo de 1-1/2", Quite y deseche el pedazo corto de manguera de 1-1/4" en la manguera y ensamble de abrazadera. Suelte las abrazaderas de la manguera y deslice el ensamble hacia abajo bajo la parte superior del tubo ascendente.
9. Determine donde desee que la descarga salga del sótano. En ese punto, haga los orificios necesarios (lo suficientemente grandes para se puede pasar un tubo de 1-1/2") para que pueda pasar el tubo de descarga desde la parte superior del sumidero hacia el exterior.
10. Instale el tubo de descarga horizontal. Instale un codo de 90° en el extremo interior. pero no le aplique pegamento.
11. Corte otro pedazo de tubo de PVC de 1-1/2" para poder pasar el tubo de descarga superior desde la parte superior del tubo ascendente hasta el codo de 90°. Asegúrese de dejar suficiente superposición para la unión de pegamento en el codo.
12. Haga una prueba SIN PEGAMENTO, instalando el tubo de descarga superior de 1-1/2" en el codo de 90° y el tubo de descarga superior en el extremo vertical del codo de 90°. El tubo de descarga superior se debe ajustar entre el tubo ascendente y el codo.
13. **⚠ ADVERTENCIA** **Riesgo de incendios e inhalación química.** Siempre que use un imprimador de PVC y cemento de PVC, siga las instrucciones del fabricante del pegamento.
14. Asegúrese de que la BBU limpie la bomba del sumidero principal y su interruptor. Si no hay suficiente espacio para dos bombas en el suelo del sumidero, se debe levantar la BBU (dependiendo de su situación particular).
15. Limpie, aplique imprimación y pegamento en el tubo de descarga superior y póngalo en el codo de 90°. Cuando haya aplicado el pegamento, deslice la manguera y el ensamble de la abrazadera para cubrir la unión y apriete todas las abrazaderas de la manguera.
16. Instale el interruptor de respaldo de las baterías como se muestra, 1" sobre el nivel de inicio de agua de la bomba principal. Apriétela al tubo con los sujetadores de cables.
17. Una con cinta en el cable de la bomba con el tubo ascendente, de tal forma que el tapón no se caiga en el sumidero.
18. Vaya a "CONEXIONES Y CONFIGURACIÓN DE LA BBU" (Página 8) para ver las instrucciones de las conexiones.
19. Una vez que todas las conexiones se hayan completado, llene su colector con agua y verifique que la PSP saque el agua y que la BBU no funcione. Luego, desconecte la PSP y vuelva a llenar el colector con agua. Verifique que la bomba del BBU saque el agua.
20. Asegúrese de que exista alimentación eléctrica en las dos bombas y de que su sistema esté listo para usarse.

INSTALACIÓN (Típica): Descarga común

⚠ ADVERTENCIA Riesgo de descargas eléctricas. Puede producir descargas eléctricas, quemaduras o causar la muerte.

Desconecte la bomba del sumidero principal antes de empezar este procedimiento.

AVISO: permita superposición cuando corte los tubos y haga un prueba de los accesorios (secos) antes de usar pegamento.

AVISO: si no hay ninguna válvula de retención en la descarga de la bomba del sumidero principal, debe instalar una. También debe instalar una en el tubo de descarga de la BBU (Figura 3, Página 4). Asegúrese de que las flechas de flujo de la válvula de retención estén dirigidas LEJOS de la bomba que se esté protegiendo.

1. Use Cinta selladora para rosca de tubo PTFE en los extremos machos del tubo de descarga. Enrosque el codo de 1-1/4" x 1-1/2" (suministrado) en el tubo de descarga. Cuando esté apretado, el codo debe estar dirigido hacia arriba.
2. Si es posible, instale la BBU en el suelo del sumidero; asegúrese de que las dos bombas no se toquen entre sí y no interfieran en el funcionamiento del interruptor.
AVISO: si hay desechos o gravilla en el fondo del colector de fango que la bomba pudiera succionar, ponga la bomba del sumidero principal y la BBU sobre ladrillos o bloques para evitar atascamiento.
3. Si el sumidero demasiado pequeño para albergar las dos bombas en la base de sumidero, busque una posición elevada que no interfiera con el interruptor de la PSP.
4. Corte un pedazo de tubo de PVC de 1-1/2" para alcanzar desde el codo de descarga de la bomba de respaldo hasta cerca de un (1) pie sobre el suelo del sótano. Este es el tubo de descarga inferior.
5. Para evitar hermeticidad de la bomba durante el funcionamiento, abra un orificio de 1/8" en el tubo de descarga inferior con aproximadamente 2" sobre la base del tubo (debajo del nivel del suelo).
6. Instale la válvula de retención FP0026-10 (se compra separadamente) en el extremo superior del tubo. Apriete de forma segura las abrazaderas para mangueras. **ASEGÚRESE** de que las flechas de flujo estén dirigidas hacia ARRIBA (lejos de la bomba de respaldo). Si están hacia abajo, la válvula no permitirá el paso de agua y la bomba no funcionará.
7. Corte el tubo de descarga para la bomba del sumidero principal (PSP) sobre la unión y la válvula de retención (si existe alguna). Haga este corte de aproximadamente 18" sobre la parte superior del tubo ascendente de la BBU con la bomba respaldo instalada.
8. Si la PSP no tiene instalada una válvula de retención en el tubo de descarga, instale una ahora.
9. Corte un pedazo de tubo de descarga para que la PSP se ajuste entre la válvula de retención y el conector en Y de deslizamiento de 45°. Asegúrese de dejar la superposición necesaria para las uniones del pegamento.
10. Instale el conector en Y de 45° en el tubo de descarga de la PSP.
11. Instale el codo de 45° en el tubo de descarga de

RESPALDO DE BATERÍAS de 1-1/2".

AVISO: puede que necesite insertar un pedazo de tubo recto entre el codo y el conector en Y. Si es así, use un codo estándar de 45°. Si no necesita insertar un pedazo de tubo recto entre el codo y el conector en Y, (el codo va directamente en el conector en Y), use un codo de deslizamiento de 45°.

12. Ponga el tubo de descarga superior en el extremo superior del conector en Y.
AVISO: es una buena práctica cortar un pedazo de tubo que vaya en el conector en Y e instalar una unión en el tubo. Continúe con el tubo de descarga desde la parte de salida de la unión. Esto permitirá quitar más fácilmente el sistema para limpiarlo o hacerle mantenimiento. Se puede usar para esto una manguera o ensamble de abrazadera U74-68.
 13. Asegúrese de que la BBU limpie la bomba del sumidero principal y su interruptor. Si no hay suficiente espacio para dos bombas en el suelo del sumidero, se debe levantar la BBU (dependiendo de su situación particular).
 14. Haga un ensamble de prueba para asegurarse de que todo se vaya a ajustar. Puede necesitar un ayudante para que sostenga todo mientras usted realiza el ajuste sin pegamento. Marque todas las uniones antes de pegarlas.
- ⚠ ADVERTENCIA** Riesgo de incendios e inhalación química. Siga las instrucciones del fabricante del pegamento relacionadas con peligros de incendios y ventilación siempre que use solventes de PVC, imprimador y cemento.
15. Separe todos los tubos, limpie todas las uniones y luego vuelva a ensamblar el sistema, pegándolo con imprimador de PVC y pegamento.
 16. Instale el interruptor de respaldo de baterías como se muestra, 1" sobre el nivel de inicio de agua de la bomba principal. Ajústelo al tubo con los sujetadores para cables suministrados.
 17. Una con cinta en el cable de la bomba con el tubo ascendente, de tal forma que el tapón no se caiga en el sumidero.
 18. Vaya a "CONEXIONES Y CONFIGURACIÓN DE LA BBU" (Página 8) para ver las instrucciones de las conexiones.
 19. Una vez que todas las conexiones se hayan completado, llene su colector con agua y verifique que la PSP saque el agua y que la BBU no funcione. Luego, desconecte la PSP y vuelva a llenar el colector con agua. Verifique que la bomba del BBU saque el agua.
 20. Asegúrese de que exista alimentación eléctrica en las dos bombas y de que su sistema esté listo para usarse.

REQUISITOS DE LA BATERÍA

⚠️ ADVERTENCIA **Corriente eléctrica peligrosa.** Puede causar quemaduras graves e iniciar incendios si los terminales de la batería están en cortocircuito. Instale la batería en la carcasa de la batería. Para evitar cortocircuitos accidentales en los terminales de la batería, cierre y asegure la carcasa de la batería muy bien. No deje la batería descubierta.

⚠️ No permita que los niños jueguen alrededor de la instalación del sistema de respaldo de baterías. El rendimiento de la bomba del sumidero de respaldo depende del uso de la batería para suministro de energía. Se recomienda usar nuestras BAT40 o BAT75. Usted también puede usar baterías de ciclo profundo de los grupos 24M o 27M. Ellas suministrarán un rendimiento aceptable y resistirán largos o cortos períodos de uso, así como cuando no se usen.

Este sistema está diseñado para funcionar ya sea con baterías AGM de ácido-plomo selladas o con baterías de ácido-plomo inundadas. No se recomienda el uso de celdas de gel (a menudo se confunden con AGM) como tampoco baterías estándar para automóviles con este cargador. Una batería para automóviles puede que necesite cargarse después de 1-2 horas de uso continuo y los ciclos de carga repetidos pueden causar daños prematuros de la placa de la batería.

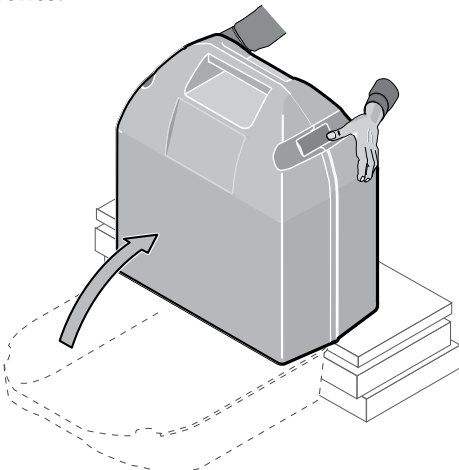
Use solamente baterías de ácido-plomo. Esta unidad no está diseñada para usar Li-Ion, NiMh, NiCAD, polímeros líquidos, etc.

Use solamente las baterías recomendadas o unas del mismo tipo y tamaño, de tal manera que se ajusten a la caja de la batería (tamaño máximo: 13" largo x 7" ancho x 10" alto (330,2 mm x 177,8 mm x 254 mm) incluyendo los terminales) y suministre suficiente voltaje para un rendimiento completo.

MANTENIMIENTO DE LAS BATERÍAS

⚠️ ADVERTENCIA **Peligro de quemaduras graves.** Una batería de ácido-plomo estándar contiene ácido sulfúrico. Evite el contacto con la piel, ojos o ropa.

AVISO: para proteger la carcasa de la batería y evitar grietas y estrías, no ponga la batería en un suelo de concreto. Instale la batería en un estante o almohadilla protectora (madera contrachapada, 2x4s, etc.). Siempre instale la batería en un lugar seco y protegido de inundaciones.



Prueba de precualificación – 1 y 2

El cargador se está cargando a un nivel muy bajo para tratar de reactivar una batería descargada. Si la batería está tomando mucho tiempo, trate de restablecer el cargador una o dos veces (presione conjuntamente los botones 'Prueba del sistema' y 'Silenciar alarma' para restablecer el cargador).

Características especiales:

El cargador está equipado con protección de conexiones invertidas de baterías, cortocircuitos y "carga inestable".

Posibles problemas y soluciones

1. Voltaje incorrecto de la batería

Vuelva a conectar el cargador a una batería de 12 voltios.

2. Conexiones invertidas de la batería;

Revise todas las conexiones. El terminal negativo (negro) de la batería debe estar conectado al negativo (negro) del cargador, y el positivo (rojo) de la batería debe estar conectado al positivo (rojo) del cargador. Si las conexiones de la batería están invertidas, los LED de 'Alerta del sistema' y 'Alarma audible silenciada' destellarán.

3. Condición de inestabilidad térmica

La "Inestabilidad térmica" es un término técnico para la condición de la batería cuando algunas (o todas) sus celdas se han deteriorado hasta el punto de que no reciben carga. En este caso, reemplace la batería.

4. Monitor del tiempo de carga – 1 y 2

La batería tomó demasiado tiempo para cargarse. El "Monitor de tiempo de carga" apagará el cargador después de 84 horas de carga continua.

Las causas pueden ser:

- A) La bomba ha funcionado durante un período largo de tiempo durante la carga, o
- B) La batería es muy grande para el cargador (incluyendo varias baterías conectadas en un circuito en paralelo).

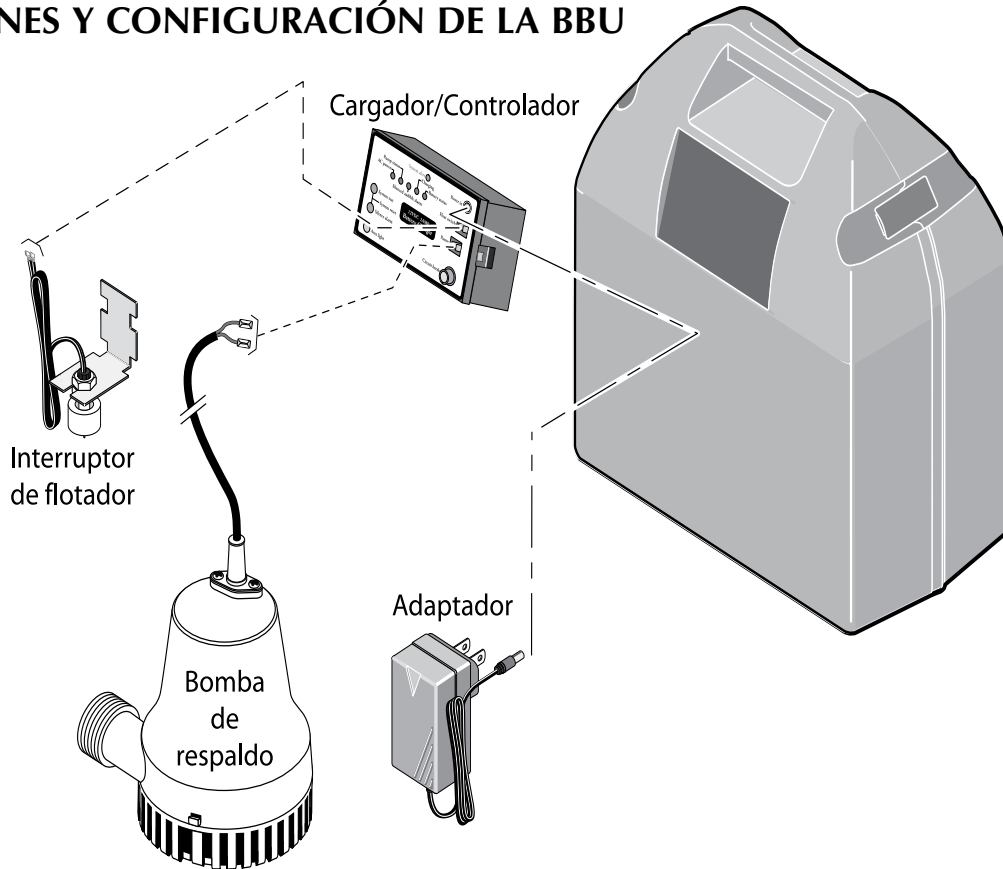
Descarga excesiva de la batería

Puede que la bomba haya estado funcionando durante un periodo de tiempo largo lo cual ha descargado la batería. En este caso:

1. Si la alimentación de 115 VCA está desactivada, el cargador se apagará hasta que retorne la alimentación eléctrica, pero la bomba continuará funcionando hasta que la batería se agote. Después de esto puede que necesite reemplazar la batería.
2. Si la alimentación eléctrica de 115 VCA está activada, el cargador/controlador continuará tratando de cargar la batería a una velocidad de carga de .5 AH hasta que la carga de la batería sea mayor al 20%. En el cual el cargador reanudará la carga a una velocidad de 2 AH.
3. Si la bomba está funcionando y la alimentación eléctrica de CA está activada, puede que necesite detener la bomba para permitir la carga de la batería.

Siga las recomendaciones del fabricante de la batería para el mantenimiento y uso seguro de la batería.

CONEXIONES Y CONFIGURACIÓN DE LA BBU



1. Conecte el terminal de plomo (rojo) del cargador/controlador positivo (+) al terminal de la batería positivo (+) (rojo). Conecte el terminal de plomo (negro) del cargador/controlador negativo (-) al terminal de la batería negativo (-) (negro). Si está usando dos baterías, use el conjunto de terminales opcionales y conecte la segunda batería. Use los terminales de plomo (no se incluyen) para conectar el terminal positivo (+) del cargador/controlador al terminal positivo (+) de la batería y el terminal negativo (-) del cargador/controlador al terminal negativo (-) de la batería.

2. Los cables de la bomba de respaldo funcionan diferente según la polaridad; conecte el cable positivo de la bomba al terminal rotulado con Bomba '+' y el cable negativo de la bomba al terminal rotulado con Bomba '-'.
AVISO: si los cables están invertidos, la bomba funcionará hacia atrás y no bombeará agua.
3. Los cables del interruptor del flotador no consideran la polaridad; conecte los cables del interruptor del flotador a las pestañas 'Interruptor del flotador' del cargador/controlador.
4. Prueben flotador y la bomba levantando y sosteniendo flotador. El LED de 'Estado de la bomba' se encenderá continuamente y el timbre sonará de manera estable. La bomba debería arrancar después de tres segundos. Si la bomba no arranca, revise todas las conexiones y vuévalas a hacer si es necesario.
5. Para detener la bomba, baje el flotador; la bomba se debería detener después de 25 segundos. El LED del 'Estado de la bomba' debería destellar y el timbre debería sonar.
6. Con la bomba funcionando, pruebe el botón 'SILENCIAR ALARMA'; sosténgalo durante un segundo; suéltelo. El LED 'Alarma audible silenciada' se debería encender y el timbre debería dejar de sonar. Para restablecer el timbre (déjelo sonar) y apague el LED 'Alarma audible silenciada', presione de nuevo el botón 'Silenciar alarma' durante un segundo.

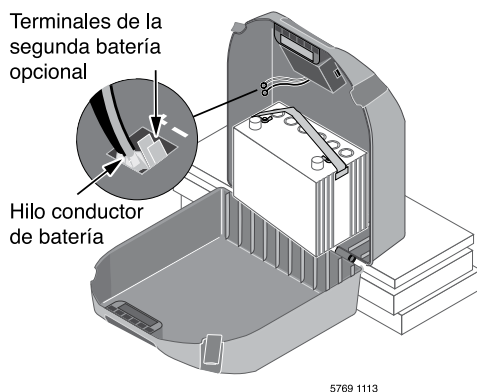


Figura 5: la entrada de la batería está dentro de la carcasa de la batería. Apoye la carcasa cuando la abra. El soporte debe tener al menos 4" de grueso.

Presione el botón 'Prueba del sistema'; sosténgalo durante un segundo; suéltelo. El LED 'Estado de la bomba' debería dejar de destellar.

AVISO: durante el funcionamiento normal, el LED destellando 'Estado de la bomba' indica que la bomba se ha encendido en su ausencia.

7. Presione y sostenga el botón 'Prueba del sistema'. Todos los LED se encenderán y el timbre sonará. Suelte el botón y los LED se apagarán, la bomba se debería detener y el timbre debería dejar de sonar.
8. El LED 'Estado de la batería' indica la capacidad de la batería cuando no exista alimentación eléctrica CA.
 - A. Continuamente ENCENDIDO - el voltaje de la batería es superior a 10,9 voltios de CC (10,9V CC) y la capacidad es superior al 20%.
 - B. Sonido bip lento/Destello lento de LED - La

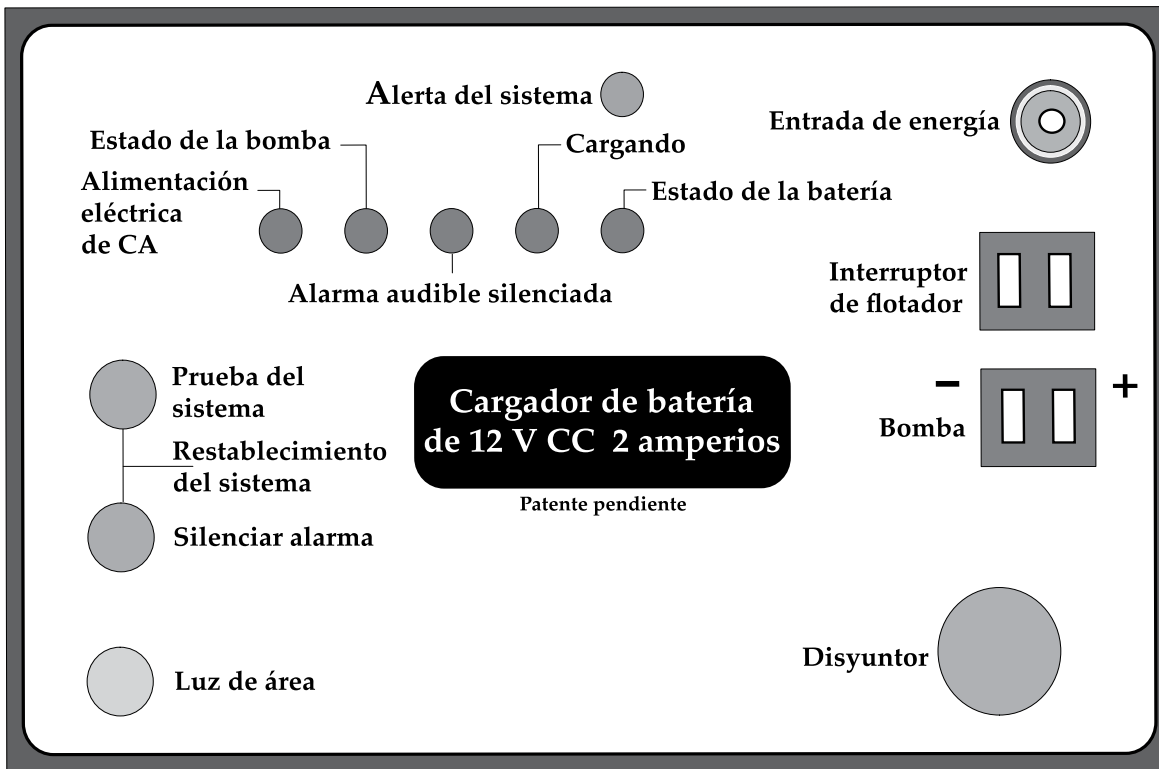
capacidad de la batería está entre 0 y el 20%.

- C. Sonido bip rápido/Destello rápido de LED - la batería está muy descargada. La batería continuará cargándose (si existe la alimentación eléctrica de 115V CC al cargador) con una velocidad de .5 AH hasta que la carga de la batería sea superior al 20%.

Cuando se presente la primera advertencia (sonido bip lento/destello lento), le quedarán aproximadamente 2 horas (o menos) de funcionamiento de la bomba. El tiempo real de funcionamiento dependerá de la condición de la batería y puede que sean solamente 15 minutos.

4. Conecte el cable de alimentación eléctrica (suministrado) a la entrada de energía del cargador/controlador.

Visualización de LED y botones de control



AVISO: cuando conecte la unidad por primera vez o cuando reciba alimentación eléctrica por primera vez de la batería, el LED 'Estado de la batería' detallará durante 3 segundos.

AVISO: para activar cualquier botón de control, presione y sosténgalo durante 1 segundo.

TABLA II – Visualizaciones de los códigos operativos (los LED se encienden continuamente o destellan)

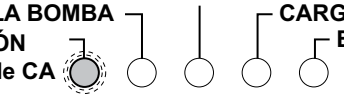









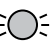
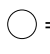


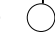
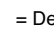


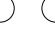




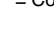




Visualización del código operativo de LED	Condición operativa del sistema
<p>ALERTA DEL SISTEMA ○</p> <p>ALARMA AUDIBLE SILENCIADA</p> <p>ESTADO DE LA BOMBA ○</p> <p>ALIMENTACIÓN ELÉCTRICA de CA ○</p> <p>CARGANDO ○</p> <p>ESTADO DE LA BATERÍA</p>	
	Indica que la alimentación eléctrica de CA de 115V está conectada
	Indica que la bomba está funcionando (LED continuo)
	Indica LED destellando rápidamente: bomba se ha arrancado
	Indica que la alarma audible se ha apagado
	Indica LED destellando rápidamente: prueba de precalificación de la batería está en marcha
	Indica que la batería se está cargando normalmente
	Indica LED continuo: la carga de la batería es superior al 20%; el sistema está manteniendo la carga
	Indica LED destellando lentamente: la carga de la batería es inferior al 20%
<p>  = LED está ENCENDIDO continuamente  = LED está destellando (rápidamente)  = LED está destellando (lentamente)  = LED está apagado </p>	
<p>AVISO: Todas las situaciones mostradas anteriormente indican funcionamiento normal del sistema; no se necesita ninguna acción. Sin embargo, si la bomba BBU está funcionando o ha funcionado, compruebe la bomba principal y supervise de forma activa el estado del cargador para la duración de la batería. Siempre restablezca el cargador después de que arranque la bomba.</p> <p>Durante el funcionamiento normal del sistema, el LED DE "ALERTA DEL SISTEMA" no se enciende. El LED de "ALIMENTACION ELECTRICA DE CA" se enciende solamente si el sistema está conectado a un circuito de alimentación eléctrica de CA en funcionamiento.</p>	

TABLA III – Visualizaciones de las funciones de LED (los LED se encienden continuamente)

LED de control:	La iluminación continua indica el funcionamiento normal:
Alimentación eléctrica de CA	Hay alimentación eléctrica de CA
Estado de la bomba	Se ha activado el interruptor del flotador. El LED permanece encendido (destellando) después de haber detenido la bomba. Presione el botón 'Prueba del sistema' para restablecerlo.
Alarma audible silenciada	La alarma audible se ha silenciado. Presione y suelte el botón 'Silenciar alarma' para restablecer (activar) la alarma audible y apagar el LED.
Cargando	Indica que la batería se está cargando – consulte la Tabla II, anterior.
Estado de la batería	<p>A. Continúa encendido - el voltaje de la batería es superior a 10,9 voltios CC y la capacidad es superior al 20%.</p> <p>B. Sonido bip lento/Destello lento de LED - la capacidad de la batería es inferior al 20% y el voltaje está entre 8,2 VCC y 10,9 VCC.</p> <p>C. Sonido bip rápido/Destello rápido de LED - la carga de la batería es inferior a 8,2 VCC.</p>
Alerta del sistema	Destello (simultáneamente con el timbre) indica que el cargador ha entrado en el 'Modo de fallas'. Presione los botones 'Probar sistema' y 'Silenciar alarma' para restablecerlo. AVISO: si no se corrige la fuente de la falla, el cargador volverá a entrar en el "Modo de fallas". Consulte la Tabla IV para obtener información sobre los códigos de errores.

TABLA IV – Visualizaciones de códigos de errores (LED destellando)

Visualización del código operativo de LED		Condiciones de errores y acciones correctivas	
<p>ALERTA DEL SISTEMA </p> <p>ALARMA AUDIBLE SILENCIADA</p> <p>ESTADO DE LA BOMBA</p> <p>ALIMENTACIÓN ELÉCTRICA de CA</p>		<p>AVISO: cuando el LED de 'ALERTA DEL SISTEMA' esté destellando, busque alguna de las siguientes condiciones de errores.</p>	
<p>CARGANDO</p> <p>ESTADO DE LA BATERÍA</p>		<p>Condición</p>	<p>Acción</p>
		= Descarga excesiva de la batería;	Detenga la bomba y deje que se cargue la batería tty(CA debe estar activa)
		= La batería no se cargará***;	Reemplace la batería con una nueva batería de ácido-plomo de 12V
		= Conexiones de la batería invertidas;	Conecte + a + y - a -,*
		= Voltaje incorrecto de la batería;	Reemplace la batería con una nueva batería de ácido-plomo de 12V
		= Error en la prueba de precualificación - 1**;	Reemplace la batería con una nueva batería de ácido-plomo de 12V
		= Error en la prueba de precualificación - 2**;	Reemplace la batería con una nueva batería de ácido-plomo de 12V
		= Monitor de tiempo de carga - 1;	Compruebe que las celdas de la batería no estén dañadas; reemplace la batería
		= Monitor de tiempo de carga - 2;	Compruebe que las celdas de la batería no estén dañadas; reemplace la batería
		= La carga de la batería es inferior al 20%;	La bomba se apagará, la batería no se está cargando. Reemplace la batería.
<p>AVISO: Si su alimentación eléctrica de CA está desactivada y la unidad no (no hay LED encendidos, no hay alarmas audibles, la bomba no está funcionando), compruebe que las conexiones de las baterías al cargador/controlador no estén invertidas.</p> <p>El cargador estuvo cargando a un nivel muy bajo para tratar de poner en funcionamiento a una batería inactiva pero la batería tomó mucho tiempo encargarse. Trate de restablecer el cargador una o dos veces (presione los botones 'Prueba del sistema' y 'Silenciar alarma' al mismo tiempo para restablecer el cargador).</p> <p>Condición de inestabilidad térmica</p>			
<p>  = LED está ENCENDIDO continuamente  = LED está destellando (rápidamente)  = LED está destallando (lentamente)  = LED está apagado </p>			

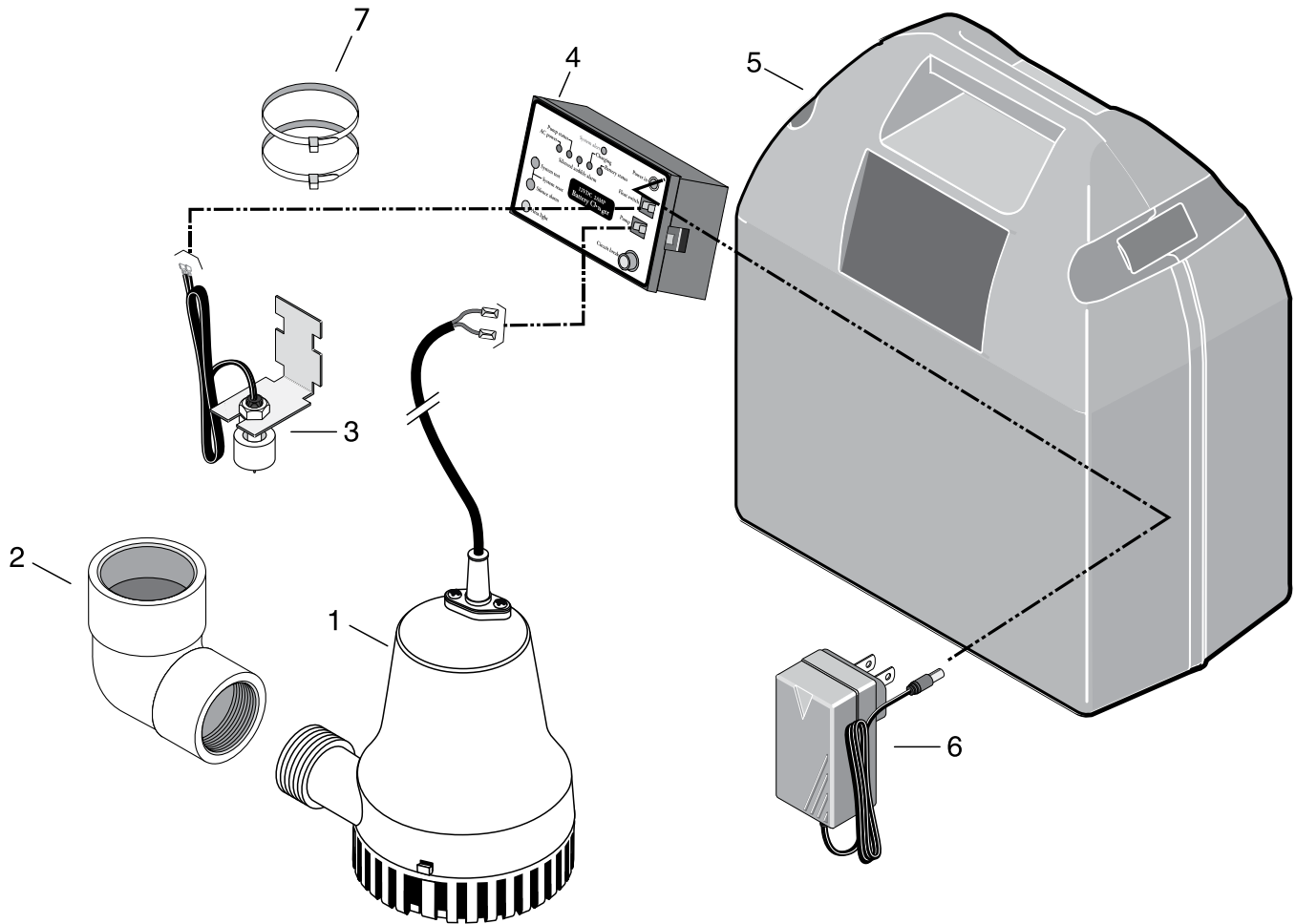
6791 0313

TABLA V – Funciones de los botones de control

Botón de control:	Resultado de los pulsadores:
Prueba del sistema	La bomba arranca y todos los LED se encienden.
	Restablecerá el LED del 'Estado de la bomba'.
	Cuando se presiona con el botón 'Silenciar alarma', el microprocesador del cargador/controlador se restablece y restablece los códigos de errores.
Silenciar alarma	Alternar; evita que la alarma audible suene. Presione y suelte para restablecer.
Luz	Alterna encender y apagar la luz de inundación en el cargador/controlador.
Restablecer el sistema	Presione y suelte los botones 'Probar sistema' y 'Silenciar alarma' para restablecer el sistema.

IDENTIFICACION Y SOLUCION DE PROBLEMAS

La bomba no arranca:	Revise todas las conexiones de cables.
	Revise si la batería está dañada o tiene poca carga.
	Revise que el interruptor automático se pueda subir y bajar libremente.
	Presione el botón para restablecer el disyuntor en el panel de control.
El motor zumba pero la bomba no arranca:	Revise si la batería está dañada o tiene poca carga.
La bomba arranca pero bombea poca agua o no bombea nada:	Asegúrese de que esté instalada una válvula de retención y de que esté funcionando entre la descarga de la bomba principal y el conector en Y de respaldo de la batería.
	Revise que no haya obstrucciones en el tubo de descarga.
	La altura y/o longitud del tubo de descarga supera la capacidad de la bomba. Consulte la Tabla VI, Página 11, para ver la capacidad de la bomba.
	Revise si la batería está dañada o tiene poca carga.
	Los terminales Positivo (+) y negativo (-) de la bomba están invertidos. Desconéctelos y vuélvalos a conectar correctamente.
La bomba entra en ciclos frecuentemente:	La válvula de retención ubicada entre la bomba de descarga y principal y el conector en Y de respaldo de la batería no está instalada o no está funcionando apropiadamente. Instale una válvula de retención auxiliar (consulte las Páginas 5 y 6) o reemplace la válvula de retención existente si es necesario.



Número de identificación.	Descripción de la parte	Número de parte
1	Bomba de respaldo CC	PS17-118
2	FNPT de 1-1/4 x Codo de deslizamiento de 1-1/2	U78-1012
3	Interruptor del flotador	PS17-2003
4	Cargador/Controlador	PS217-1521
5	Carcasa de la batería (Completa)	PS17-1512
6	Adaptador de CA	PS17-2008
7	Ajustador de plástico para cable de 11" x .14"	*

* Se compran separadamente.

** Si la bomba presenta fallas, reemplace todo el sistema.

Baterías opcionales

*Se venden separadamente

Número de identificación.	Descripción de la parte	Número de parte
X	AGM 75A-Hora	BAT75
X	AGM 40A-Hora	BAT40

GARANTÍA LIMITADA

Myers le garantiza al consumidor inicial ("Comprador" o "Usted") de los productos indicados a continuación, que éstos estarán libres de defectos en materiales y en mano de obra durante el Período de Garantía especificado a continuación.

Producto	Período de garantía
Bombas de chorro, pequeñas bombas centrífugas, bombas sumergibles y accesorios asociados	lo que ocurra primero: 12 meses desde la fecha de la instalación inicial, o 18 meses desde la fecha de fabricación
Tanques de devanado de fibra	5 años desde la fecha de la instalación inicial
Tanques a presión de acero	5 años desde la fecha de la instalación inicial
Productos para sumideros/aguas residuales/efluente	12 meses desde la fecha de la instalación inicial, o 36 meses desde la fecha de fabricación
Unidades de batería de refuerzo	
MBSP-2, MBSP-2C	12 meses desde la fecha de la instalación inicial, o 18 meses desde la fecha de fabricación
MBSP-3, MBSP-3C	24 meses desde la fecha de la instalación inicial, o 30 meses desde la fecha de fabricación
Bombas procesadoras de sólidos de aguas residuales	12 meses desde la fecha de envío de la fábrica, o 18 meses desde la fecha de fabricación

Nuestra garantía se aplica solamente en los casos en que tales productos se utilicen conforme a los requerimientos del catálogo del producto y/o de los manuales correspondientes. Por información adicional, se deberá consultar la garantía limitada estándar correspondiente que aparece en el manual del producto.

Nuestra garantía no se aplicará a ningún producto que, a nuestro solo juicio, haya sido sometido a negligencia, mal uso, instalación o mantenimiento inadecuados. Sin perjuicio a lo que antecede, nuestra garantía quedará anulada en el caso en que un motor trifásico se haya usado con una fuente de alimentación monofásica, a través de un convertidor de fase. Es importante indicar que la garantía quedará anulada si los motores trifásicos no están protegidos por relés de sobrecarga de disparo extra-rápido, con compensación ambiental de tres etapas, del tamaño recomendado.

Su único recurso, y la única obligación de MYERS es la de reparar o reemplazar los productos defectuosos (a juicio de MYERS). Usted deberá pagar todos los cargos de mano de obra y de envío asociados a esta garantía y deberá solicitar el servicio bajo garantía a través del concesionario instalador tan pronto como se descubra un problema. No se aceptará ninguna solicitud de servicio bajo garantía que se reciba después del vencimiento del Período de Garantía. Esta garantía no es transferible.

MYERS NO SE HARÁ RESPONSABLE DE NINGÚN DAÑO CONSECUENTE, INCIDENTAL O CONTINGENTE.

LAS GARANTÍAS LIMITADAS QUE ANTECEDEN SON EXCLUSIVAS Y EN LUGAR DE TODA OTRA GARANTÍA EXPLÍCITA O IMPLÍCITA, INCLUYENDO, PERO SIN LIMITARSE, A LAS GARANTÍAS IMPLÍCITAS DE COMERCIABILIDAD E IDONEIDAD PARA UN FIN ESPECÍFICO, LAS GARANTÍAS LIMITADAS QUE ANTECEDEN NO SE EXTENDERÁN MÁS ALLÁ DEL PERÍODO DE GARANTÍA INDICADO EN LA PRESENTE.

Ciertos estados no permiten la exclusión o limitación de daños incidentales o consecuentes o la aplicación de limitaciones en la duración de garantías implícitas, de modo que es posible que las limitaciones o exclusiones que preceden no correspondan en su caso. Esta garantía le otorga derechos legales específicos, y es posible que Usted tenga otros derechos que pueden variar de un estado al otro.

Esta Garantía Limitada entra en vigor a partir del 1 de abril de 2014 y reemplaza toda otra garantía sin fecha o con fecha anterior al 1 de abril de 2014.

F.E. MYERS

293 Wright St., Delavan, WI 53115

Teléfono: 888-987-8677 – Fax: 800-426-9446 – www.fenmyers.com

En Canadá: 490 Pinebush Road, Unit 4, Cambridge, Ontario N1T 0A5

Teléfono: 800-387-4386 – Fax: 888-606-5484