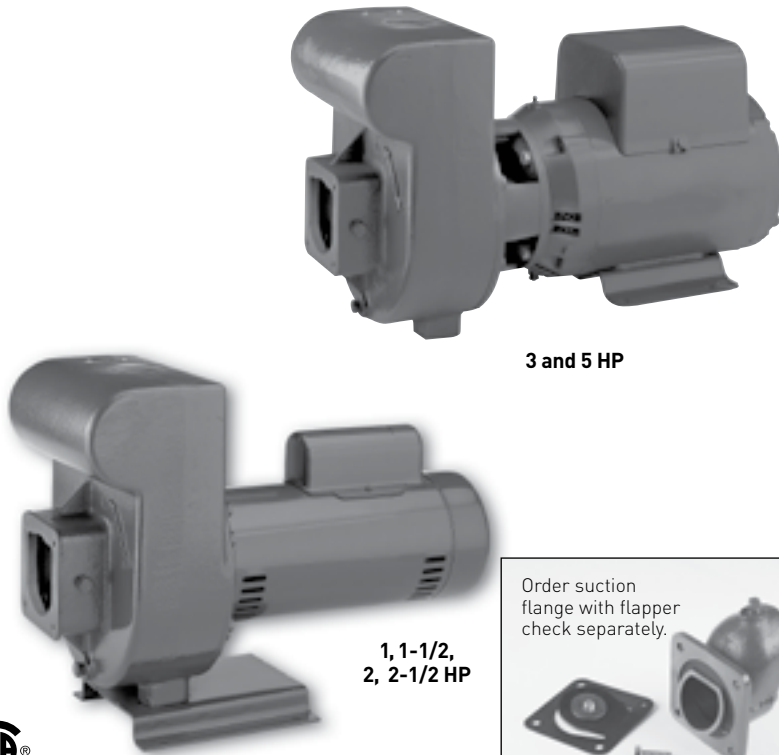


STA-RITE® D Series

Self-priming centrifugal pumps



Some of the fastest priming pumps on the market. Available in high head or medium head series. Features mechanical seals, easy service design, heavy-duty motors, rugged construction. Available in 1 through 5 HP.

Optional 6" and 8" Trap Packages are available.

APPLICATIONS

Lawn Sprinkling...operate from 1 to 30 or more heads. Can be safely operated by timer or other automatic device.

Contractors...for dewatering excavation, jetting, water transfer and supply operations.

Agriculture...seed bed and plot irrigation, stock watering, fire protection.

Industrial...sump drainage, fire protection, marine pumping, liquid transfer and supply operations.

SPECIFICATIONS

Body and Base: Close-grained cast iron

Impeller: Noryl® on 1 through 2-1/2 HP, bronze on 3 and 5 HP

Diffuser: Cast iron

Shaft: 1 through 2-1/2 HP: 416 stainless steel; 3 and 5 HP: Carbon steel inside removable shaft sleeve of stainless steel.

FEATURES

1 through 5 HP: Both high head and medium head models offer heavy-duty motors, easy service design, and air volume control tapping.

Drain Port: Provided for easy winterizing.

Medium Head Models: Deliver up to 115' of head with capacities to 159 GPM.

High Head Models: Deliver up to 138' of head with capacities to 162 GPM.

Easy Serviceability: Normal wearing parts are easily accessible for service and replacement, without disturbing piping or mounting.

Heavy-Duty Motors: Designed for continuous operation. Capacitor start, will not cause electrical interference with TV or other appliances. Nationally known motors have ball bearing, stainless steel shaft. For single- and three-phase operation, 3450 RPM.

Noryl® is a registered trademark of General Electric Co.
All other brand or product names are trademarks or registered trademarks of Pentair Ltd.

STA-RITE® D Series

Self-priming centrifugal pumps

ORDERING INFORMATION

HIGH HEAD

Catalog Number	HP	Pipe Tapping Sizes		Motor Voltage	Phase	Approx. Wt. Lbs.
		Suction Flanges*	Pump Discharge			
DHE	1	PKG 52	1-1/2"	115/230	1	65
DHE3	1	PKG 52	1-1/2"	208-230/460	3	65
DHF	1-1/2	PKG 52	1-1/2"	115/230	1	72
DHF3	1-1/2	PKG 52	1-1/2"	208-230/460	3	72
DHG	2	PKG 53	2"	115/230	1	113
DHG3	2	PKG 53	2"	208-230/460	3	113
DHHG	2-1/2	PKG 53	2"	115/230	1	120
DHHG3	2-1/2	PKG 53	2"	208-230/460	3	120
DHH	3	PKG 53	2"	230	1	144
DHH3	3	PKG 53	2"	208-230/460	3	144
DHJ	5	PKG 72	2"	230	1	184
DHJ3	5	PKG 72	2"	208-230/460	3	184

MEDIUM HEAD

DMG	2	PKG 52	1-1/2"	115/230	1	86
DMG3	2	PKG 52	1-1/2"	208-230/460	3	86
DMMG	2-1/2	PKG 53	2"	115/230	1	93
DMMG3	2-1/2	PKG 53	2"	208-230/460	3	93
DMH	3	PKG 72	2-1/2"	230	1	137
DMH3	3	PKG 72	2-1/2"	208-230/460	3	137
DMJ	5	PKG 73	3"	230	1	184
DMJ3	5	PKG 73	3"	230/460	3	184

*Suction flanges must be ordered separately. See chart below.

SUCTION FLANGES (Order separately – required for suction tap sizes)

Package 52 -	Package 53 -	Package 72 -	Package 73 -
1-1/2"	2"	2-1/2"	3"



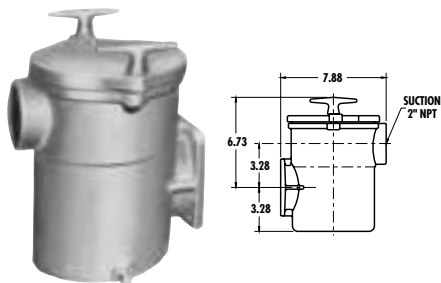
PKG 52
1-1/2"



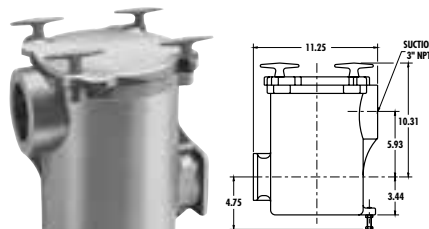
PKG 53
2" NPT

6" AND 8" TRAP PACKAGES

Catalog Number	Description	Suction Port Size	Approx. Wt. Lbs.
PKG 51	6" Cast Iron Trap with Basket (For C, CC, and D Series Pumps)	2" NPT	20
PKG 76	Cast Iron Flange for Remote Installation	3" NPT	4
PKG 98	8" Cast Iron Trap with Basket (For C, CC, and D Series Pumps)	3" NPT	40



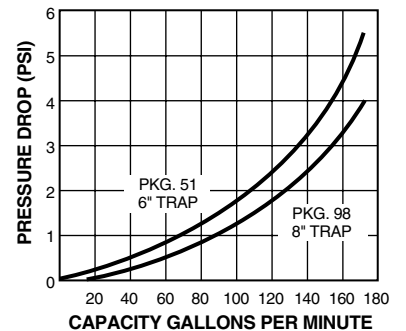
PKG 51
6-INCH TRAP



PKG 98
8-INCH TRAP



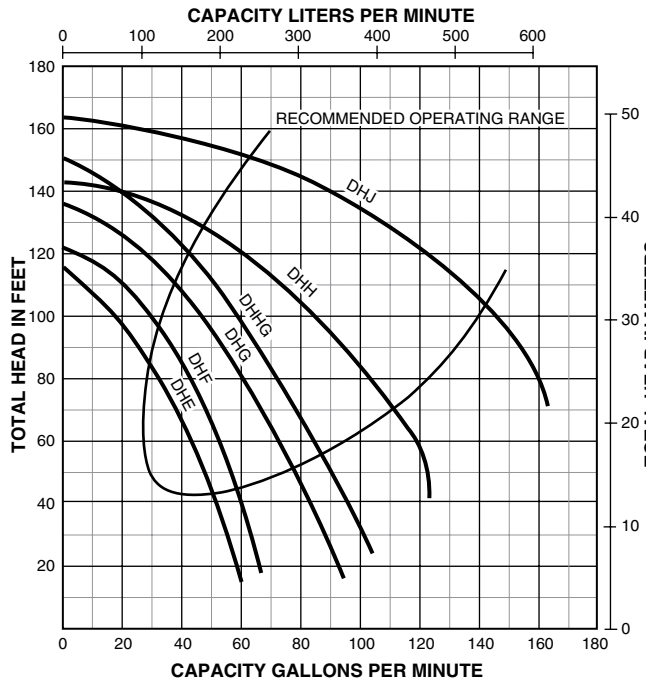
PKG 76



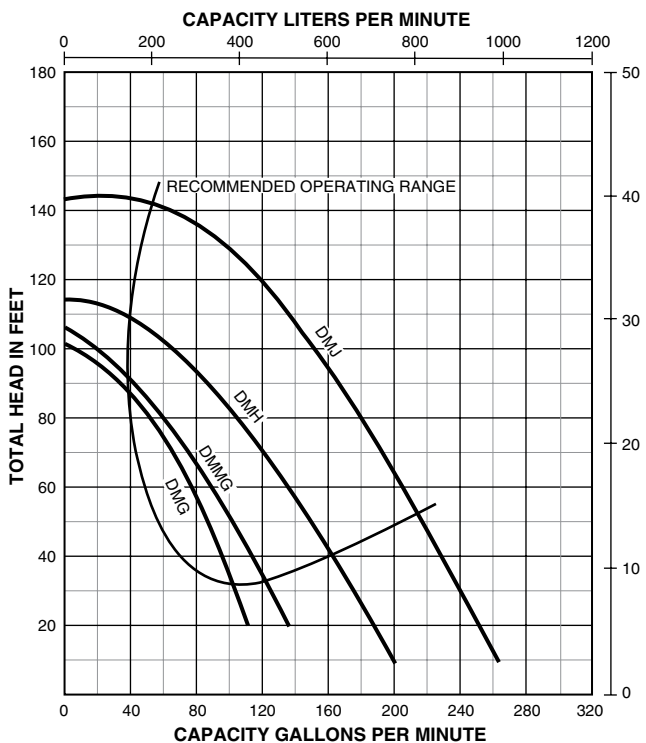
STA-RITE® D Series

Self-priming centrifugal pumps

PUMP PERFORMANCE: HIGH HEAD



PUMP PERFORMANCE: MEDIUM HEAD



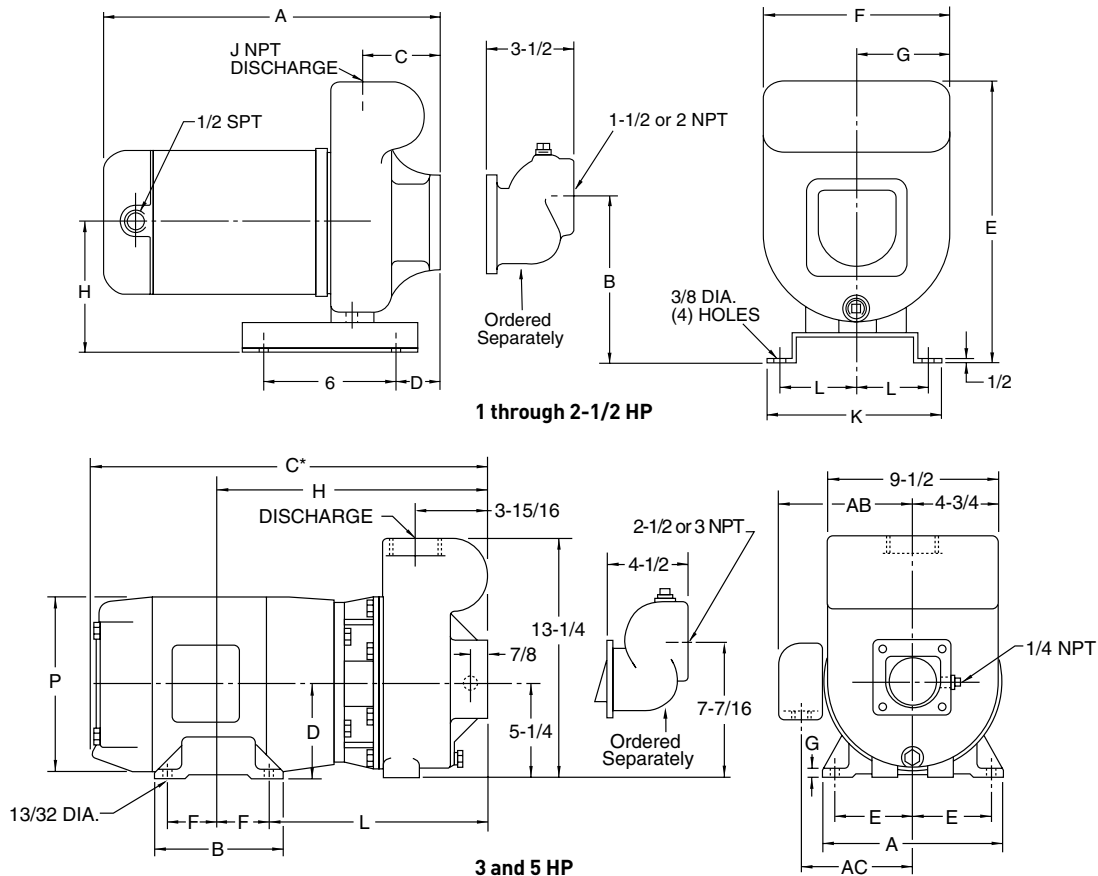
PUMP PERFORMANCE (CAPACITY IN GALLONS PER MINUTE)

		HIGH HEAD							
Cat. No.	HP	Discharge		Suction Lift in Feet					
		PSI	Feet Head	5'	10'	15'	20'	25'	
DHE	1	20	46.2	46	43	41	40	38	
		30	69.3	35	32	29	25	21	
		40	92.4	19	15	-	-	-	
		50	115.5	-	-	-	-	-	
DHF	1-1/2	20	46.2	55	53	51	49	48	
		30	69.3	45	42	39	36	32	
		40	92.4	31	27	22	15	-	
		50	115.5	-	-	-	-	-	
DHG	2	20	46.2	77	74	71	68	65	
		30	69.3	63	60	56	53	49	
		40	92.4	48	44	40	36	30	
		50	115.5	30	20	13	-	-	
DHHG	2-1/2	20	46.2	89	85	82	80	76	
		30	69.3	75	72	68	64	60	
		40	92.4	60	57	51	49	42	
		50	115.5	42	37	31	25	20	
DHH	3	20	46.2	-	-	-	112	109	
		30	69.3	109	103	98	92	89	
		40	92.4	90	75	74	69	62	
		50	115.5	62	51	42	32	20	
DHJ	5	20	46.2	-	-	-	-	-	
		30	69.3	-	-	-	-	-	
		40	92.4	146	141	136	130	122	
		50	115.5	122	114	105	99	85	
DMG	2	20	46.2	84	79	74	69	63	
		30	69.3	60	53	46	35	20	
		40	92.4	22	-	-	-	-	
		50	115.5	-	-	-	-	-	
DMMG	2-1/2	20	46.2	103	96	90	80	70	
		30	69.3	70	60	50	46	30	
		40	92.4	30	18	5	-	-	
		50	115.5	-	-	-	-	-	
DMH	3	20	46.2	149	140	136	124	119	
		30	69.3	116	108	99	85	76	
		40	92.4	75	65	51	26	-	
DMJ	5	20	46.2	214	209	202	194	182	
		30	69.3	185	179	172	165	158	
		40	92.4	153	146	139	130	120	
		50	115.5	119	107	95	80	50	

STA-RITE® D Series

Self-priming centrifugal pumps

OUTLINE DIMENSIONS



Dimensions (in inches) are for estimating purposes only.

DIMENSIONS IN INCHES: 1 THROUGH 2-1/2 HP

Catalog Number	HP	A	B	C	D	E	F	G	H	J	K	L
DHE	1	14-13/16	7-1/16	3-1/2	4	11-7/8	7-7/8	3-15/16	5-13/16	1-1/2	7-1/2	3-3/8
DHF	1-1/2	15-11/16	7-1/16	3-1/2	4	11-7/8	7-7/8	3-15/16	5-13/16	1-1/2	7-1/2	3-3/8
DHG	2	17-11/16	7-13/16	3-15/16	3-13/16	14-3/8	9-1/2	4-3/4	6-9/16	2	7-1/2	3-3/8
DHHG	2-1/2	18-11/16	7-13/16	3-15/16	3-13/16	14-3/8	9-1/2	4-3/4	6-9/16	2	7-1/2	3-3/8
DMG	2	16-15/16	7-1/16	3-1/2	4	11-7/8	7-7/8	3-15/16	5-13/16	1-1/2	7-1/2	3-3/8
DMMG	2-1/2	17-15/16	7-1/16	3-1/2	4	11-7/8	7-7/8	3-15/16	5-13/16	2	7-1/2	3-3/8

DIMENSIONS IN INCHES: 3 AND 5 HP

Catalog Number	HP	A	B	C*	D	E	F	G	H	L	P	AB	AC
DHH	3	9	6	20-3/4	4-1/2	3-3/4	2-1/4	1/2	15	12-3/4	9-3/4	8-1/8	6-1/2
DHJ	5	9	7	21-3/4	4-1/2	3-3/4	2-3/4	1/2	15-1/2	12-3/4	9-3/4	9	7
DMH	3	9	6	20-3/4	4-1/2	3-3/4	2-1/4	1/2	15	12-3/4	9-3/4	8-1/8	6-1/2
DMJ	5	9	7	21-3/4	4-1/2	3-3/4	2-3/4	1/2	15-1/2	12-3/4	9-3/4	9	7

*Overall length (C) is shown for single-phase motors. Three-phase motors are slightly smaller. Dimensions are for estimating purposes only.

