

REPAIR PARTS

R36/3756



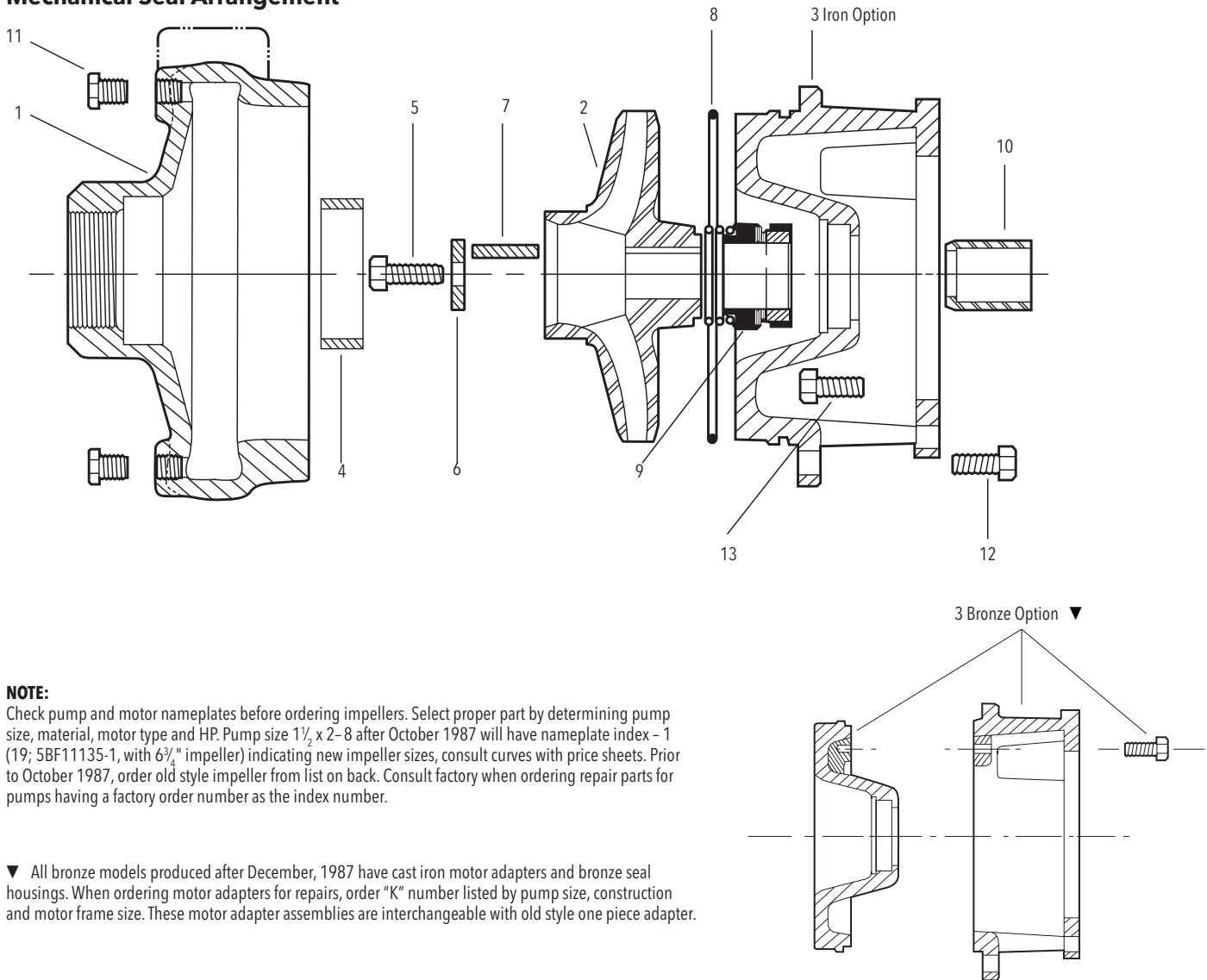
3656/3756 S, M & L-Group

REPAIR PARTS

PUMP END PARTS FOR CLOSE-COUPLED OR FRAME MOUNTED CONFIGURATION 3656/3756 S-Group

Note: For S-Group power frame individual parts see S-Group Power Frame repair parts page, RSPFRAME.

Mechanical Seal Arrangement

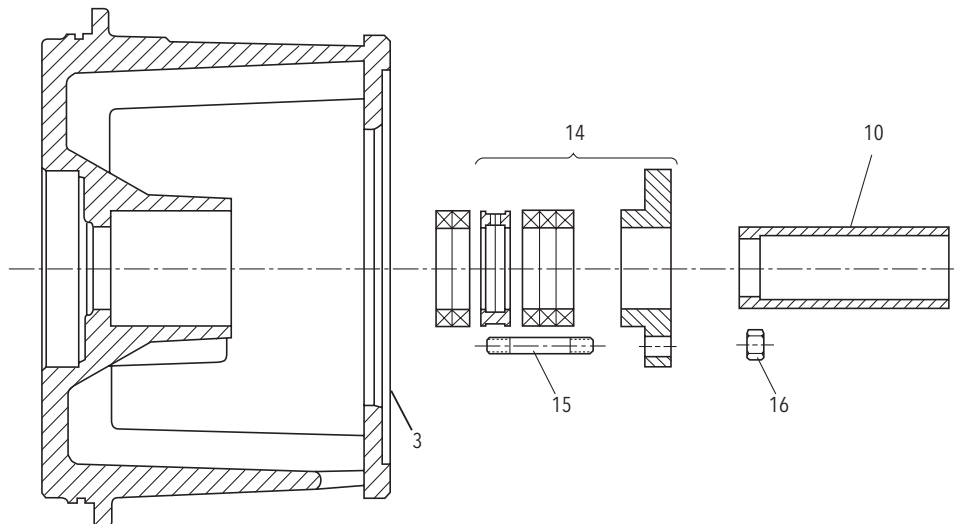


NOTE:

Check pump and motor nameplates before ordering impellers. Select proper part by determining pump size, material, motor type and HP. Pump size 1½ x 2-8 after October 1987 will have nameplate index - 1 (19; 5BF11135-1, with 6¾" impeller) indicating new impeller sizes, consult curves with price sheets. Prior to October 1987, order old style impeller from list on back. Consult factory when ordering repair parts for pumps having a factory order number as the index number.

▼ All bronze models produced after December, 1987 have cast iron motor adapters and bronze seal housings. When ordering motor adapters for repairs, order "K" number listed by pump size, construction and motor frame size. These motor adapter assemblies are interchangeable with old style one piece adapter.

Packed Box Arrangement 140JP - 180JP & 210 TCZ (west coast fit)



PUMP END PARTS FOR CLOSE-COUPLED WITH 140JM, 180JM, 210JM (MECHANICAL SEAL) 140JP, 180JP, 210TCZ (PACKED BOX) 3656/3756 S-Group

Item No.	Part Description	Material	Repair Part No.								
			22BF	9BF	3AI/BF/AB	3AIH/BFH/ABH	5AI/BF/AB	4AI/BF/AB	6AI/BF/AB		
			1 x 2-7	1 x 2-8	1½ x 2-6	1½ x 2-6H	1½ x 2-8	2½ x 3-7	3 x 4-7		
1	Casing	Cast Iron	1K365	1K612	1K98		1K102	1K100	1K128		
		Bronze			1K99		1K103	1K101	1K129		
2	Impeller	Cast iron			2K124 (4.75)	2K154 (5.62)	2K344 (5.75)	2K741 (4.12)	2K1120 (7.06)	2K233 (4.69)	
					2K122 (5.12)	2K152 (5.94)	2K768 (6.12)	2K740 (4.75)	2K1111 (6.88)	2K232 (5.12)	
					2K120 (5.62)		2K343 (6.25)	2K739 (4.94)	2K1112 (6.56)	2K230 (5.50)	
					2K118 (5.94)		2K342 (6.75)	2K738 (5.25)	2K1113 (6.00)	2K229 (6.38)	
							2K341 (7.00)	2K737 (5.44)	2K1114 (5.69)	2K324 (7.06)	
							2K340 (7.62)	2K736 (5.62)	2K1115 (5.44)		
							2K339 (7.75)	2K735 (5.88)	2K1116 (5.19)		
							2K338 (8.06)	2K734 (6.38)	2K1117 (4.75)		
								2K733 (6.75)	2K1118 (4.50)		
								2K732 (7.06)	2K1119 (4.06)		
		3	Motor adapter – seal 140-180JM and frame mounted (210JM), (256TCZ)	Cast iron	1K118	1K114	1K110	1K110	1K114	1K118	1K118
				Sil-Brass			1K111	1K111	1K115	1K119	1K119
Motor adapter – packing (140-180J) and frame mounted (210TCZ)	Cast iron		1K120	1K116	1K112	1K112	1K116	1K120	1K120		
	Sil-Brass				1K113	1K113	1K117	1K121	1K121		
	Cast iron		1K369	1K371	1K367	1K367	1K371	1K369	1K369		
	Cast iron		1K370	1K372			1K372	1K370	1K370		
4	Casing wear ring	Cast iron	4K67					4K69†	4K263		
		Bronze	4K68					4K70†	4K264		
5	Impeller bolt		13K43								
6	Impeller washer	AISI 303SS	13L39								
7	Impeller key		4K11								
8	Casing o-ring	BUNA	5K4	5K74	5K73		5K74	5K4			
		EPR	5K193	5K192	5K194		5K192	5K193			
		Viton	5K206	5K205	5K207		5K205	5K206			
9	Seal assembly	Carbon/ceramic BUNA	10K13								
		Carbon/sil-carb. EPR	10K19								
		Carbon/sil-carb. viton	10K27								
		Sil-carb./sil-carb./viton	10K64								
10	Shaft sleeve – mechanical seal	300SS	4K66								
	Shaft sleeve – packed box	300SS	4K473								
11	¼" pipe plug (casing)	Zinc Plated Steel	6K2 (Quantity 4)								
		Bronze	6K42 (Quantity 4)								
12	Hex head screw (casing)	Zinc	13K69 (Quantity 8)								
13	Hex head screw (motor adapter) (140 – 180) (210)	Plated Steel	13K69 (Quantity 4)								
			13K102								
14	Packed box kit includes – gland	316SS	15K16								
	Packing and lantern	Teflon	15K16								
15	Gland stud (quantity 2)	300SS	13K295								
16	Gland nut (quantity 2)	300SS	13K262								

NOTES: Casing includes plugs. Impeller bolt and shaft sleeve must be removed. When replacing, bond and seal shaft sleeve and impeller bolt to shaft with Loctite AL27121.

*2½ x 3-7 pumps built after April 1, 2006 are supplied with new style impeller. Old style impeller numbers are listed for reference only. Use NEW numbers for repairs.

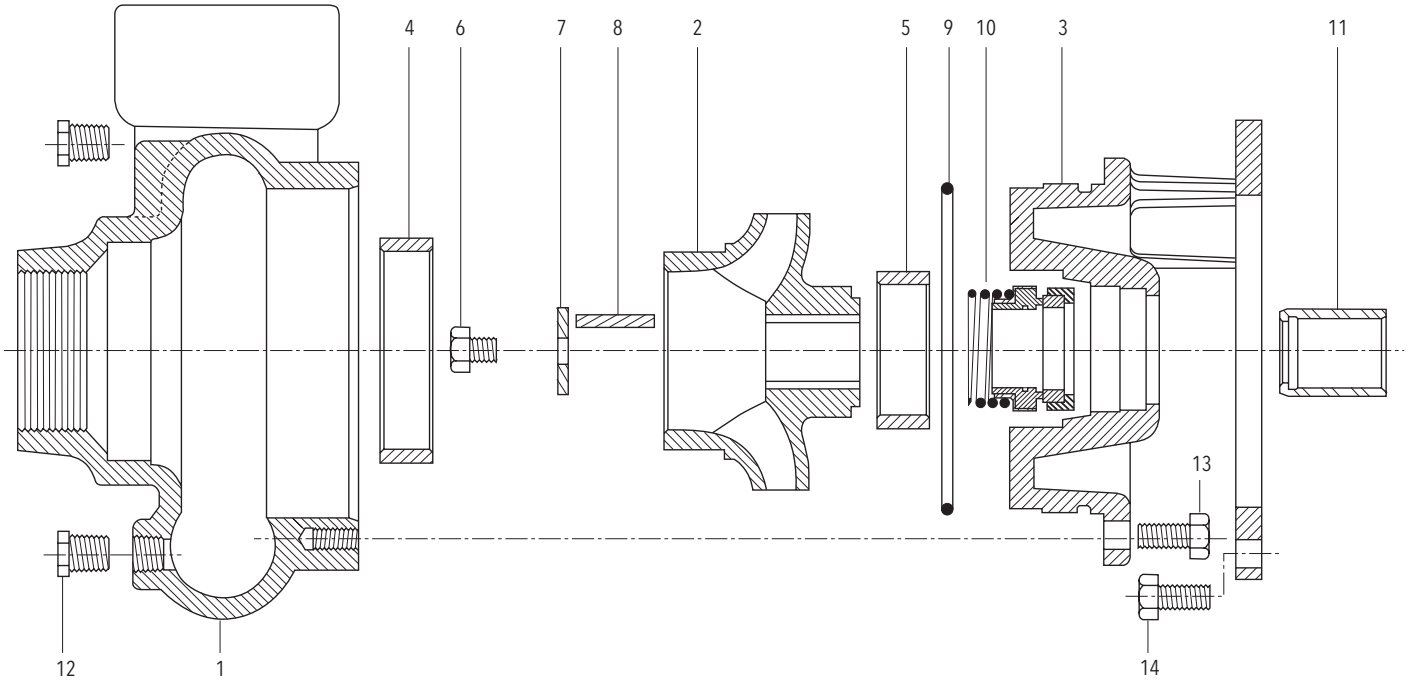
†2½ x 3-7 use two casing wear rings, same front and back.

‡1750 RPM only.

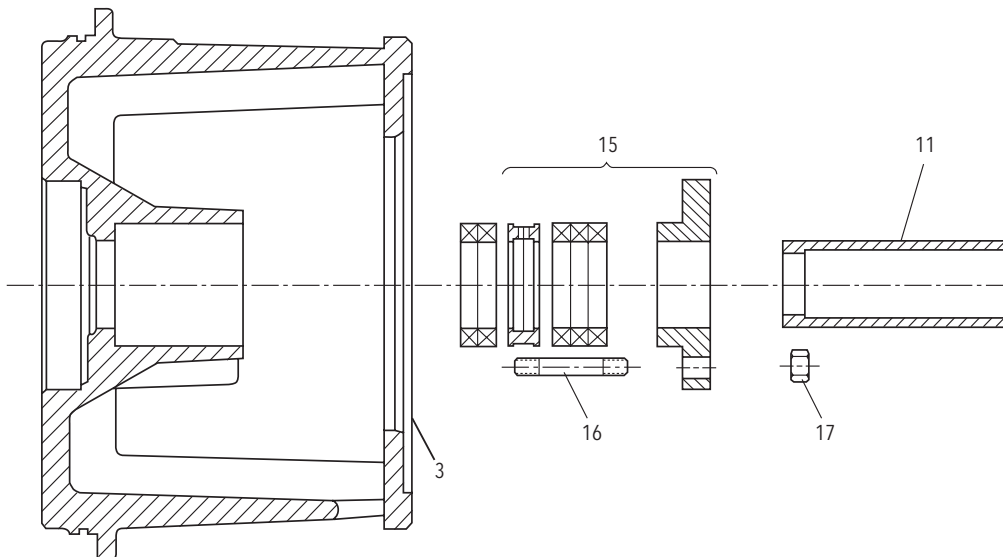
PUMP END PARTS FOR CLOSE-COUPLED OR FRAME MOUNTED CONFIGURATION 3656/3756 M & L-Group

Note: For M & L-Group power frame individual parts see M & L-Group Power Frame repair parts pages:
RMPFRAME - M-Group
RLPFRAME - L-Group
RSAFRAME - M and L SAE Frames

Mechanical Seal Arrangement



Packed Box Arrangement 250JP - 360 TCZ, Frame Mount and SAE Drive 250JP - 445TCZ, Close-Coupled



Residential Water Systems

PUMP END PARTS FOR CLOSE-COUPLED WITH 140JM, 180JM, 210JM (MECHANICAL SEAL), 140JP, 180JP, 210TCZ (PACKED BOX)

(All pumps in this section have a 7/8" Diameter Impeller Hub Bore)

3656/3756 M-Group

Item No.	Part Description	Material	Repair Part No.								
			7 AI/BF	16 AI/BF	10 AI/BF	8 AI/BF	11 AI/BF	12 AI/BF	21BF		
			2 1/2 x 3 - 8	3 x 4 - 8	4 x 5 - 8	1 1/2 x 2 - 10	2 1/2 x 3 - 10	3 x 4 - 10	2 1/2 x 3 - 9		
1	Casing	Cast Iron	1K130	1K316	1K238	1K132	1K236	1K237	1K236		
2	Impeller	Cast Iron	8 1/16 2K573	8 1/16 2K673	8 1/16 2K589	10 1/16 2K609	10 1/16 2K665	10 1/16 2K633			
			7 15/16 2K575	7 7/16 2K675	7 7/8 2K591	9 9/16 2K611	9 7/8 2K667	9 3/4 2K635			
			7 7/16 2K577	6 3/4 2K677	7 3/4 2K593	8 3/8 2K613	9 5/8 2K669	9 2K637			
			7 3/16 2K579	6 3/8 2K679	7 1/2 2K595	7 3/4 2K615	9 2K671	8 5/8 2K639			
			6 13/16 2K581	5 15/16 2K681	7 1/4 2K597	7 5/16 2K617	8 5/8 2K623	8 5/8 2K641			
			6 1/2 2K583	5 1/2 2K683	7 2K599	7 1/4 2K619	8 1/4 2K625	7 5/8 2K643			
			6 3/8 2K585	5 5/8 2K685	6 3/4 2K601	7 2K621	8 2K627				
			6 3/16 2K587	4 5/8 2K687	6 1/2 2K603		7 5/8 2K629				
					6 1/16 2K605		7 7/32 2K631				
					5 3/4 2K607						
				Sil-Brass	8 1/16 2K574	8 1/16 2K674	8 1/16 2K590	10 1/16 2K610	10 1/16 2K666	10 1/16 2K634	10 1/16 2K1010
					7 15/16 2K576	7 7/16 2K676	7 7/8 2K592	9 9/16 2K612	9 7/8 2K668	9 3/4 2K636	9 7/8 2K1011
					7 7/16 2K578	6 3/4 2K678	7 3/4 2K594	8 3/8 2K614	9 5/8 2K670	9 2K638	9 1/2 2K1012
					7 3/16 2K580	6 3/8 2K680	7 1/2 2K596	7 3/4 2K616	9 2K672	8 5/8 2K640	9 1/4 2K1013
					6 13/16 2K582	5 15/16 2K682	7 1/4 2K598	7 5/16 2K618	8 5/8 2K624	8 5/8 2K642	8 15/16 2K1014
					6 1/2 2K584	5 1/2 2K684	7 2K600	7 1/4 2K620	8 1/4 2K626	7 5/8 2K644	8 1/2 2K1015
					6 3/8 2K586	5 5/8 2K686	6 3/4 2K602	7 2K622	8 2K628		8 7/16 2K1016
					6 3/16 2K588	4 5/8 2K688	6 1/2 2K604		7 5/8 2K630		8 2K1017
						6 1/16 2K606			7 5/8 2K632	7 11/16 2K1018	
						5 3/4 2K608					
3	Motor adapter 140-180JM	Cast Iron	1K114				1K319				
	-Seal 210JM		1K116				1K320				
	Motor adapter 140-180JP		1K371				1K381				
	-Packing 210TCZ		1K372				-				
4	Front wear ring	Cast Iron	4K265	4K350	4K352	4K267	4K265	4K350			
		Bronze	4K266	4K351	4K353	4K268	4K266	4K351	4K266		
5	Back wear ring	Cast Iron	-	-	-	-	-	-			
		Bronze	-	-	-	-	-	-			
6	Impeller bolt		13K43								
7	Impeller washer	AISI 303 SS	13L39								
8	Square key		4K11								
9	O-ring	BUNA	5K74			5K155					
		Viton	5K205			5K208					
		EPR	5K192			5K318					
10	Seal assembly Carbon/ceramic	BUNA	10K13								
	Carbon/Sil-carb.	EPR	10K19								
	Carbon/Sil-carb.	Viton	10K27								
	Sil-carb./Sil-carb.	Viton	10K64								
11	Shaft sleeve	300 SS	4K66								
	Seal packing		4K473								
12	3/8" NPT plug	Zinc	6K2			6K3					
13	Casing HD screw (Quantity 8)	Plated	13K69								
14	Motor screw (Quantity 4)	Steel	13K69 (140 & 180 JM/JP) and 13K102 (250 JM/JP & Frame)								
15	Packed box kit includes:										
	Gland Packing & lantern ring	316 SS	15K16								
16	Stud, gland (Quantity 2)	300 SS	13K295								
17	Hex nut, gland (Quantity 2)	300 SS	13K262								
	Loctite #271		AL27121								

PUMP END PARTS FOR CLOSE-COUPLED WITH 250JM-360TCZ (MECHANICAL SEAL), 210JP-445TCZ (PACKED BOX) AND ALL FRAME MOUNTED CONFIGURATION 3656/3756 M-Group

Note: For M & L-Group power frame individual parts, see M & L-Group Power Frame repair parts page.

Item No.	Part Description	Material	Repair Part No.									
			7 AI/BF	16 AI/BF	10 AI/BF	8 AI/BF	11 AI/BF	12 AI/BF	17BF	21BF		
			2½ x 3-8	3 x 4-8	4 x 5-8	1½ x 2-10	2½ x 3-10	3 x 4-10	4 x 6-10	2½ x 3-9		
1	Casing	Cast Iron	1K130	1K316	1K238	1K132	1K236	1K237	1K351	1K236		
2	Impeller	Cast Iron	7 ¹ / ₁₆ 2K168	8 ¹ / ₁₆ 2K689	8 ¹ / ₁₆ 2K645	9 ³ / ₁₆ 2K176	10 ¹ / ₁₆ 2K370	10 ¹ / ₁₆ 2K395				
			7 ³ / ₁₆ 2K170	7 ⁷ / ₁₆ 2K691	7 ⁷ / ₁₆ 2K647	8 ³ / ₁₆ 2K178	9 ⁷ / ₁₆ 2K371	9 ³ / ₁₆ 2K396				
			6 ¹³ / ₁₆ 2K172	6 ³ / ₄ 2K693	7 ³ / ₄ 2K649	7 ³ / ₄ 2K180	9 ⁵ / ₁₆ 2K372	9 2K397				
			6 ³ / ₁₆ 2K174	6 ³ / ₁₆ 2K695	7 ¹ / ₂ 2K651	7 2K182	9 2K373	8 ⁵ / ₁₆ 2K398				
			6 ³ / ₁₆ 2K480	5 ¹⁵ / ₁₆ 2K697	7 ¹ / ₄ 2K653	10 ¹ / ₁₆ 2K490	8 ⁵ / ₁₆ 2K374	8 ⁵ / ₁₆ 2K399				
			7 ¹ / ₁₆ 2K482	5 ¹ / ₂ 2K699	7 2K655	7 ⁵ / ₁₆ 2K492	8 ¹ / ₄ 2K375	7 ⁵ / ₁₆ 2K400				
				5 ¹ / ₈ 2K701	6 ³ / ₄ 2K657	7 ¹ / ₄ 2K468	8 2K376					
				4 ⁷ / ₁₆ 2K703	6 ¹ / ₂ 2K659		7 ⁵ / ₁₆ 2K377					
					6 ¹ / ₁₆ 2K661		7 ¹ / ₈ 2K378					
					5 ³ / ₄ 2K663							
				7 ¹⁵ / ₁₆ 2K169	8 ¹ / ₁₆ 2K690	8 ¹ / ₁₆ 2K646	9 ³ / ₁₆ 2K177	10 ¹ / ₁₆ 2K379	10 ¹ / ₁₆ 2K401	10 ¹ / ₁₆ 2K816	10 ¹ / ₁₆ 2K1001	
				7 ³ / ₁₆ 2K171	7 ⁷ / ₁₆ 2K692	7 ⁷ / ₁₆ 2K648	8 ³ / ₁₆ 2K179	9 ⁷ / ₁₆ 2K380	9 ³ / ₁₆ 2K402	9 ⁹ / ₁₆ 2K818	9 ⁷ / ₁₆ 2K1002	
				6 ¹³ / ₁₆ 2K173	6 ³ / ₄ 2K694	7 ³ / ₄ 2K650	7 ³ / ₄ 2K181	9 ⁵ / ₁₆ 2K381	9 2K403	9 ¹ / ₈ 2K820	9 ¹ / ₂ 2K1003	
				6 ³ / ₁₆ 2K175	6 ³ / ₁₆ 2K696	7 ¹ / ₂ 2K652	7 2K183	9 2K382	8 ³ / ₁₆ 2K404	8 ¹¹ / ₁₆ 2K822	9 ¹ / ₄ 2K1004	
				6 ³ / ₁₆ 2K481	5 ¹⁵ / ₁₆ 2K698	7 ¹ / ₄ 2K654	10 ¹ / ₁₆ 2K491	8 ⁵ / ₁₆ 2K383	8 ⁵ / ₁₆ 2K405	8 ¹ / ₈ 2K824	8 ¹⁵ / ₁₆ 2K1005	
				7 ¹ / ₁₆ 2K483	5 ¹ / ₂ 2K700	7 2K656	7 ⁵ / ₁₆ 2K493	8 ¹ / ₄ 2K384	7 ⁵ / ₁₆ 2K406	7 ³ / ₄ 2K826	8 ¹ / ₂ 2K1006	
					5 ¹ / ₈ 2K702	6 ³ / ₄ 2K658	7 ¹ / ₄ 2K469	8 2K385	9 ¹ / ₁₆ * 2K831		8 ³ / ₁₆ 2K1007	
					4 ⁷ / ₁₆ 2K704	6 ¹ / ₂ 2K660		7 ⁵ / ₁₆ 2K386	8 ³ / ₁₆ * 2K832		8 2K1008	
						6 ¹ / ₁₆ 2K662		7 ¹ / ₈ 2K387	8 ¹ / ₁₆ * 2K833		7 ¹¹ / ₁₆ 2K1009	
						5 ³ / ₄ 2K664			8 ¹ / ₁₆ * 2K834			
							7 ³ / ₄ * 2K835					
							7 ⁵ / ₁₆ * 2K836					
							7 ¹ / ₄ * 2K837					
							7 ¹ / ₁₆ * 2K838					
							6 ³ / ₄ * 2K839					
3	Motor adapter - seal 210TCZ-250JM & frame mounted 280JM-360TCZ	Cast Iron	1K136	1K317	1K317	1K138						
	1K242		1K318	1K318	1K243							
	1K357		1K358	1K358	1K355							
	1K359		1K360	1K360		1K356		-	1K356			
4	Front wear ring	Cast Iron	4K265	4K350	4K352	4K267	4K265	4K350	-			
		Bronze	4K266	4K351	4K353	4K268	4K266	4K351	4K363	4K265		
5	Back wear ring	Cast Iron	4K265	4K350	4K350	4K265	4K265	-	-			
		Bronze	4K266	4K351	4K351	4K266	4K266	4K266*	4K351	4K265		
6	Impeller bolt		13K155 (SAE Drive use 13K341)									
7	Impeller washer	AISI 303 SS	13K241									
8	Square key		4K261									
9	O-ring	BUNA	5K74			5K155						
		Viton	5K205			5K208						
		EPR	5K192			5K318						
10	Seal assembly Carbon/ceramic	BUNA	10K16									
	Carbon/Sil-carb.	EPR	10K20									
	Carbon/Sil-carb.	Viton	10K45									
	Sil-carb./Sil-carb.	Viton	10K65									
11	Shaft sleeve, mech. seal	SS	4K262									
	Shaft sleeve, packed box	SS	4K455									
12	¾" NPT plug (Quantity 2)	Zinc	6K2			6K3						
13	Casing HD screw (Quantity 8)	Plated	13K69									
14	Motor screw (Quantity 4)	Steel	13K102 (250 JM/JP & frame mounted)					13K247 (280 JM/JP & larger)				
15	Packed box kit includes: Gland	316SS	15K3									
	Packing & lantern ring	Teflon										
16	Stud, gland (Quantity 2)	300 SS	13K291									
17	Hex nut, gland (Quantity 2)	300 SS	13K292									
	Loctite #271		AL27121									

* 3500 RPM units

PUMP END PARTS FOR CLOSE-COUPLED WITH 250JM-360TCZ (MECHANICAL SEAL), 210JP-445TCZ (PACKED BOX) AND ALL FRAME MOUNTED CONFIGURATION 3656/3756 M-Group

Note: For M & L-Group power frame individual parts, see M & L-Group Power Frame repair parts page.

Item No.	Part Description	Material	Repair Part No.						
			13 AI/BF	14 AI/BF	15 AI/BF				
			2 1/2 x 3-13	3 x 4-13	4 x 6-13				
			M-Group	M-Group	M-Group				
1	Casing	Cast Iron	1K239	1K240	1K479				
2	Impeller	Cast Iron	13 1/16	2K407	13 1/16	2K419	13 1/16	2K979	
			12 3/4	2K408	12 1/16	2K420	12 7/8	2K443	
			11 1/8	2K409	12 1/16	2K421	12 1/2	2K444	
			11 3/8	2K410	12	2K422	12 1/4	2K445	
			9 7/8	2K411	11 3/4	2K423	11 7/8	2K446	
			9 3/8	2K412	11 1/16	2K424	11 3/8	2K447	
					10 3/4	2K425	11 1/16	2K448	
					10 1/8	2K426	10 7/8	2K449	
					9 1/8	2K427	10 1/2	2K450	
					8 1 1/16	2K428	10 1/4	2K451	
				8	2K429	9 7/8	2K452		
				7 7/16	2K430	9 3/8	2K453		
				13 1/16	2K413	13 1/16	2K431	13 1/16	2K980
				12 3/4	2K414	12 1/16	2K432	12 7/8	2K454
				11 1/8	2K415	12 1/16	2K433	12 1/2	2K455
				11 3/8	2K416	12	2K434	12 1/4	2K456
				9 7/8	2K417	11 3/4	2K435	11 7/8	2K457
				9 3/8	2K418	11 1/16	2K436	11 3/8	2K458
						10 3/4	2K437	11 1/16	2K459
						10 1/8	2K438	10 7/8	2K460
				9 1/8	2K439	10 1/2	2K461		
				8 1 1/16	2K440	10 1/4	2K462		
				8	2K441	9 7/8	2K463		
				7 1/16	2K442	9 3/8	2K464		
3	Motor adapter - seal 210TCZ-250JM and frame mounted 280JM-360TCZ	Cast Iron	1K244						
			1K245						
	Motor adapter - packing 210JP-250JP and frame mounted 280JP-360TCZ		1K361						
			1K362						
4	Front wear ring	Cast Iron	4K265	4K350	4K362				
		Bronze	4K266	4K351	4K363				
5	Back wear ring	Cast Iron	4K350	4K350	4K350				
		Bronze	4K351	4K351	4K351				
6	Impeller bolt		13K155						
7	Impeller washer	AISI 303 SS	13K241						
8	Square key		4K261						
9	O-ring	BUNA	5K199						
		Viton	5K209						
10	Seal assembly Carbon/ceramic	BUNA	10K16						
	Carbon/Sil-carb.	EPR	10K20						
	Carbon/sil-carb.	Viton	10K45						
	Sil-carb./sil-carb.	Viton	10K65						
11	Shaft sleeve, mech. seal	SS	4K262						
	Shaft sleeve, packed box	SS	4K455						
12	3/8" NPT plug (Quantity 2)	Zinc Plated	6K3						
13	Casing HD screw (Quantity 8)		13K102						
14	Motor screw (Quantity 4)	Steel	13K102 (250JM/250JP and frame mounted) 13K247 (280JM/JP and larger)						
15	Packed box kit includes: Gland	316SS	15K3						
	Packing & lantern ring	Teflon							
16	Stud, gland (Quantity 2)	300SS	13K291						
17	Hex nut, gland (Quantity 2)	300SS	13K292						
	Loctite #271		AL27121						

PUMP END PARTS FOR CLOSE-COUPLED WITH 250JM-360TCZ (MECHANICAL SEAL), 210JP-445TCZ (PACKED BOX) AND ALL FRAME MOUNTED CONFIGURATION 3656/3756 L-Group

Note: For M & L-Group power frame individual parts, see M & L-Group Power Frame repair parts page.

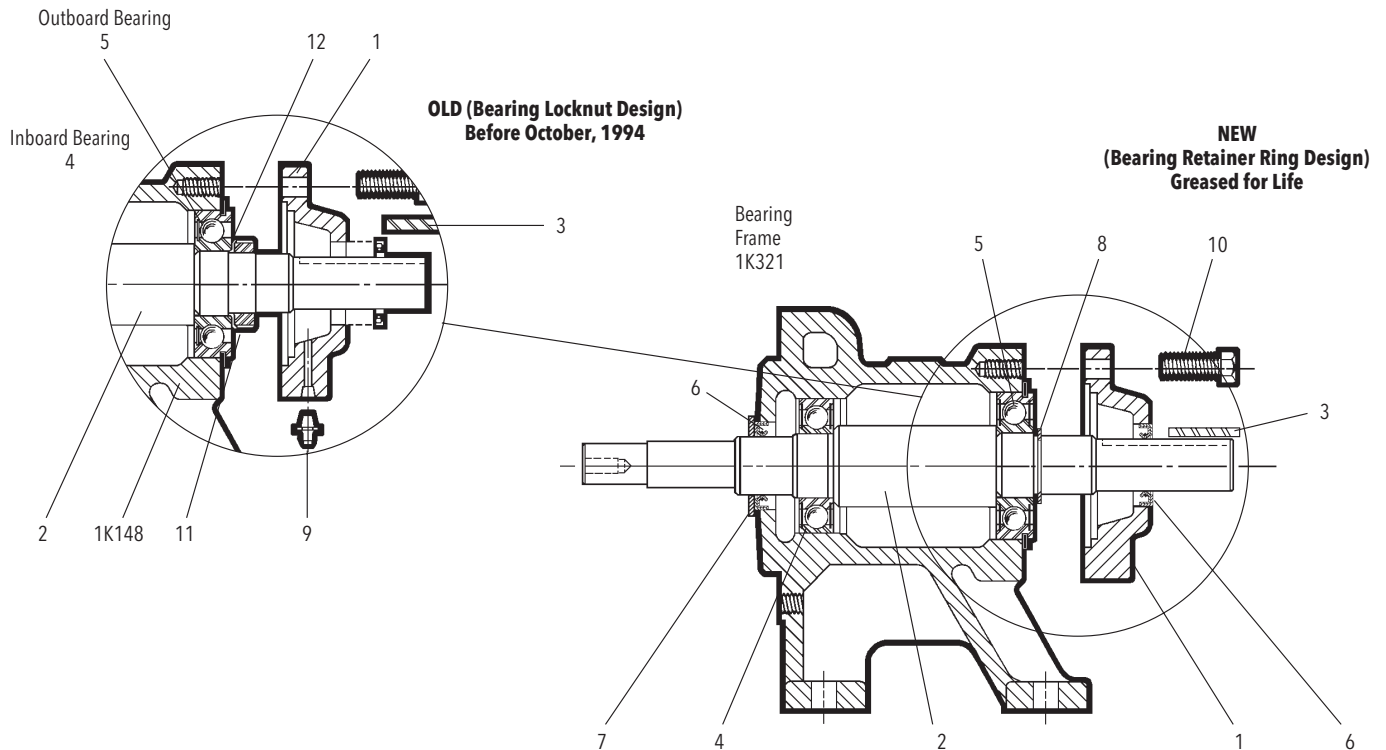
Item No.	Part Description	Material	Repair Part No.			
			18BF	18BF	19 BF	20BF
			6 x 8-13	6 x 8-13	8 x 10-13	4 x 6-16
			M-Group		L-Group	
1	Casing	Cast Iron	1K352	1K352	1K353	1K354
2	Impeller	Sil-Brass	1180 RPM			
			9½ 2K851		9¾ 2K897	
			10 2K850		10⅞ 2K896	
			10½ 2K849		11¼ 2K895	
			10⅞ 2K848		11⅝ 2K894	
			11⅞ 2K847		11⅞ 2K893	
			11⅞ 2K846		12⅝ 2K892	
			11⅞ 2K889		12¾ 2K891	
			12⅝ 2K888		13 2K890	
			12½ 2K887			
			13 2K886			
			1750 RPM			
			11⅞ 2K846	13 2K842	13 2K860	16 2K873
			11⅞ 2K847	12½ 2K843	12¾ 2K861	15⅞ 2K874
			10⅞ 2K848	12⅝ 2K844	12⅞ 2K862	15⅞ 2K875
			10½ 2K849	11⅞ 2K845	11⅞ 2K863	14½ 2K876
			10 2K850	11⅞ 2K880	11⅞ 2K864	13¾ 2K877
			9½ 2K851	11⅞ 2K881	11¼ 2K865	
				10⅞ 2K882	10⅞ 2K866	
				10½ 2K883	9¾ 2K867	
	10 2K884					
	9½ 2K885					
3	Motor adapter - Mech. seal Frame Mounted 210JP-250JP 280-360TCZ 360JP-400TCZ 440TCZ	Cast Iron	-	1K377	1K379	
			1K377	1K377	1K379	
			1K378	1K378	1K380	
	-		1K480 & 1K412	-		
	-		1K373	1K375		
	Motor adapter - Packed box Frame Mounted 210JP-250JP 280-360TCZ 360JP-400TCZ 440TCZ		1K373	1K373	1K375	
			1K374	1K376		
4	Front wear ring	Bronze	4K475	4K476	4K477	
5	Back wear ring	Bronze	4K474			
6	Impeller bolt		13K155 (SAE Drive use 13K341)			
7	Impeller washer	AISI 303 SS	13K290			
8	Square key		4K460			
9	O-ring	BUNA	5K199		5K298	
		Viton	5K209		5K299	
10	Seal assembly (Stat / Rot) Ceramic/carbon	BUNA	10K84			
	Sil-carb./Carbon	Viton	10K112			
	Sil-carb./sil-carb.	Viton	10K144			
11	Shaft sleeve, mech. seal Frame Mounted 210-320	300 SS	-	4K457		
	360-440TCZ		4K457			
			4K459			
	Shaft sleeve, packed box Frame Mounted 210-320		-	4K456		
	360-440TCZ		4K456			
12	Plug, casing (Quantity 2)		6K3			
13	Bolt, casing (Quantity 8)		13K69			
14	Bolt, motor (Quantity 4) Frame Mounted 210-250	Zinc Plated Steel	13K102 (Quantity 4)			
	280-405TCZ		13K247 (Quantity 4)			
	445TCZ		13K247 (Quantity 8)			
15	Packed box kit includes: Gland	316SS	15K4			
	Packing & lantern ring	Teflon				
16	Stud, gland (Quantity 2)	300SS	13K291			
17	Hex nut, gland (Quantity 2)	300SS	13K292			

Residential Water Systems

S-GROUP POWER FRAMES AND PARTS

3756/3757/SSH S-Group

- 14L52 - Complete assembly for mechanical seal pumps.
- 15K17 - Complete assembly for packed box pumps.



Complete Bearing Frame Assemblies:

Order 14L52 for mechanical seal models.

Order 15K17 for packed box models.

ITEM NO.	OLD Regreasable	NEW Grease for life	DESCRIPTION	MATERIAL	PATTERN NO.
1	1K437	1K322	Bearing cover	Cast iron	59027
2	4K277 -	4K410 4K478	Shaft - mechanical seal Shaft - packed box	Steel Steel	
3	4K278	4K278	Key - motor end	Steel	
4	4K279	4K412	Inboard bearing	Steel	
5	4K280	4K413	Outboard bearing	Steel	
6	5K159	5K159	Lip seal	BUNA/steel	
7	5K160	5K160	Deflector	BUNA-N	
8	NA	5K245	Retaining ring	Steel	
9	6K80	NA	Grease fitting - frame and bearing cover	Steel	
10	13K80	13K80	Hex head cap screw - bearing cover	Steel	
11	13K166	NA	Locknut	Steel	
12	13K167	NA	Lockwasher	Steel	

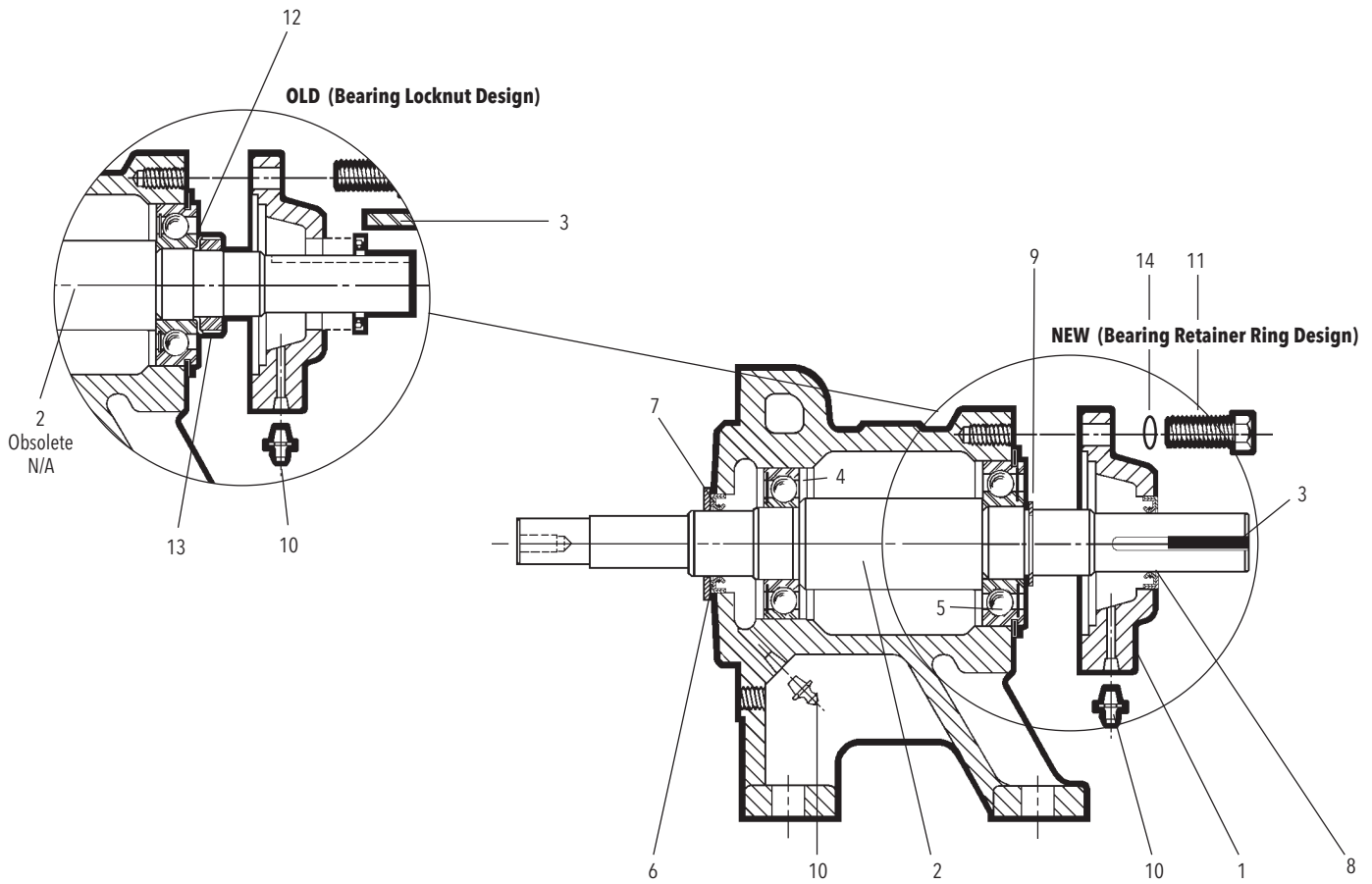
For parts pricing and package stock quantities refer to published parts price list using "K" part no. listed above.

Shaft and mounting face duplicates NEMA 184JM dimensions.

M&L-GROUP POWER FRAME

3756/3757/SSH M&L-Group

For models 3756, 3757 and SSH mechanical seal pumps and 3756 packed box pumps.



Residential Water Systems

M&L-GROUP POWER FRAME REPAIR PARTS

3756/3757/SSH M&L-Group

For models 3756, 3757 and SSH mechanical seal pumps and 3756 packed box pumps.

M-Group:

ITEM NO.	PART NO.	DESCRIPTION	MATERIAL	PATTERN NO.
	14L60	Power Frame Complete, Mechanical Seal Pump		
	15K6	Power Frame Complete, Packed Box Pump		
1	1K147	Bearing cover	Cast iron	59056
2	4K411	Shaft - mechanical seal version	Steel	
	4K453	Shaft - packed box version	Steel	
3	4K292	Shaft key - motor end	Steel	
4	4K293	Ball bearing - inboard	Steel	
5	4K556	Ball bearing - outboard	Steel	
6	5K163	Deflector	BUNA-N	
7	5K164	Lip seal - inboard	BUNA/Steel	
8	5K164	Lip seal - mechanical seal	BUNA/Steel	
	5K280	Lip seal - packed box	BUNA/Steel	
9	5K246	Retaining ring	Steel	
10	6K80	Grease fitting - frame and bearing cover	Steel	
11	13K80	Hex head cap screw - $\frac{3}{8}$ " - 16 x 1.25	Zinc-Plated Steel	
12	13K183	Lockwasher	Zinc-Plated Steel	
13	13K184	Locknut	Zinc-Plated Steel	
14	13K158	Lockwasher $\frac{3}{8}$ "	Zinc-Plated Steel	

For parts pricing and package stock quantities refer to published parts price list using "K" part no. listed above.

Shaft and mounting face duplicates NEMA 254JM dimensions.

L-Group:

ITEM NO.	PART NO.	DESCRIPTION	MATERIAL	PATTERN NO.
	15K7	Power Frame Complete (Mechanical Seal or Packed Box)		
1	1K147	Bearing cover	Cast iron	59056
2	4K454	Shaft	Steel	
3	4K292	Shaft key - motor end (not shown)	Steel	
4	4K293	Ball bearing - inboard	Steel	
5	4K469	Ball bearing - outboard	Steel	
6	5K163	Deflector	BUNA-N	
7	5K164	Lip seal - inboard	BUNA/Steel	
8	5K280	Lip seal - outboard	BUNA/Steel	
9	5K246	Retaining ring	Steel	
10	6K80	Grease fitting - frame and bearing cover	Zinc-Plated Steel	
11	13K80	Hex head cap screw - bearing cover	Zinc-Plated Steel	
14	13K158	Lockwasher $\frac{3}{8}$ "	Zinc-Plated Steel	

For parts pricing and package stock quantities refer to published parts price list using "K" part no. listed above.

Xylem |'zīləm|

- 1) The tissue in plants that brings water upward from the roots;
- 2) a leading global water technology company.

We're 12,500 people unified in a common purpose: creating innovative solutions to meet our world's water needs. Developing new technologies that will improve the way water is used, conserved, and re-used in the future is central to our work. We move, treat, analyze, and return water to the environment, and we help people use water efficiently, in their homes, buildings, factories and farms. In more than 150 countries, we have strong, long-standing relationships with customers who know us for our powerful combination of leading product brands and applications expertise, backed by a legacy of innovation.

For more information on how Xylem can help you, go to www.xylem.com



Xylem, Inc.
2881 East Bayard Street Ext., Suite A
Seneca Falls, NY 13148
Phone: (800) 453-6777
Fax: (888) 322-5877
www.xylem.com/brands/gouldswatertechnology

Goulds is a registered trademark of Goulds Pumps, Inc. and is used under license.
© 2012 Xylem Inc. R36/3756 July 2010