

Specifications:

Each BAF break away fitting consists of a cast iron base elbow which is bolted to the floor of the wet well, lower and upper guide rail supports and a cast iron moveable elbow with a sealing plate and o-ring. The discharge flange on the elbow base (ANSI B16.1) will mate with a standard 125lb. companion flange and gasket (supplied). The pump is connected to the moveable elbow through a stainless steel nipple supplied with each assembly.

The guide rails (supplied by customer) are attached to the base elbow at the lower end and a pipe spacer support bracket at the upper end. The guide rails are set in place by sliding the pipe over a stainless steel plug. Each plug has an o-ring to reduce noise and vibration. The guide rails serve only as a guide as they carry none of the pump weight. 1" (25mm) schedule 40 galvanized steel pipes should be used for guide rails.

An optional intermediate guide rail bracket is recommended for depths of 13 feet (4m) or more. See page 2.

The BAF's, 1212, 1220 & 2020 are for pumps up to 200 lbs (91kg) which do not generate in excess of 150 ft. TDH (45 Meters).

The BAF's, 2030 & 3030 is for pumps up to 250 lbs (114kg) which do not generate in excess of 150 ft. TDH (45 Meters).

One break away fitting is required per pump. (The S.S. Lifting bridle is included.)

Assemblies DO NOT include Pump, Discharge piping, Guide Rails, Lifting Chain, nor Gate Valve with Handle.

These items must be purchased separately.

Specifications: With Check Valve "CV" Series

In addition to standard features listed above, a commercially available ball Check Valve is supplied with each model. The valve is installed between the pump discharge flange and the inlet flange on the moveable elbow.

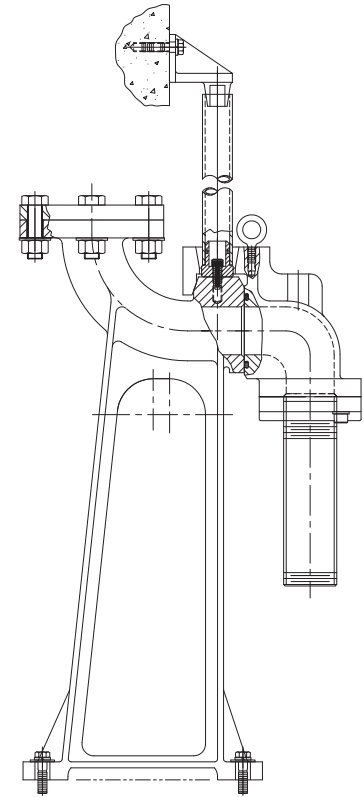
Specifications: Non-Sparking "NS" Series

The "NS" series is similar in design to the standard version except it has a Bronze Moveable Elbow to prevent sparking.

Model Key: BAF - 1212NS

12 = 1 1/4"
20 = 2"
30 = 3"
Customer Connection
Pump Connection

For Submersible Sump, Sewage, Effluent & Grinder Pumps.



Models: Without Check Valve

STD P/N		"NS" P/N
127300	BAF - 1212	127303
127301	BAF - 1220	127311
127302	BAF - 2020	127312
127306	BAF - 2030	127305
127304	BAF - 3030	127314

Models: With Check Valve

STD P/N		"NS" P/N
127307	BAF - 1212CV	127310
127308	BAF - 1220CV	127313
127309	BAF - 2020CV	127315

DESCRIPTION:

THE BREAK AWAY FITTING IS DESIGNED TO ALLOW THE SUBMERSIBLE PUMP TO BE INSTALLED OR REMOVED WITHOUT REQUIRING PERSONNEL TO ENTER THE WET WELL.

1.25" - 3" Break Away Fitting

Without Check Valve

BARNES®

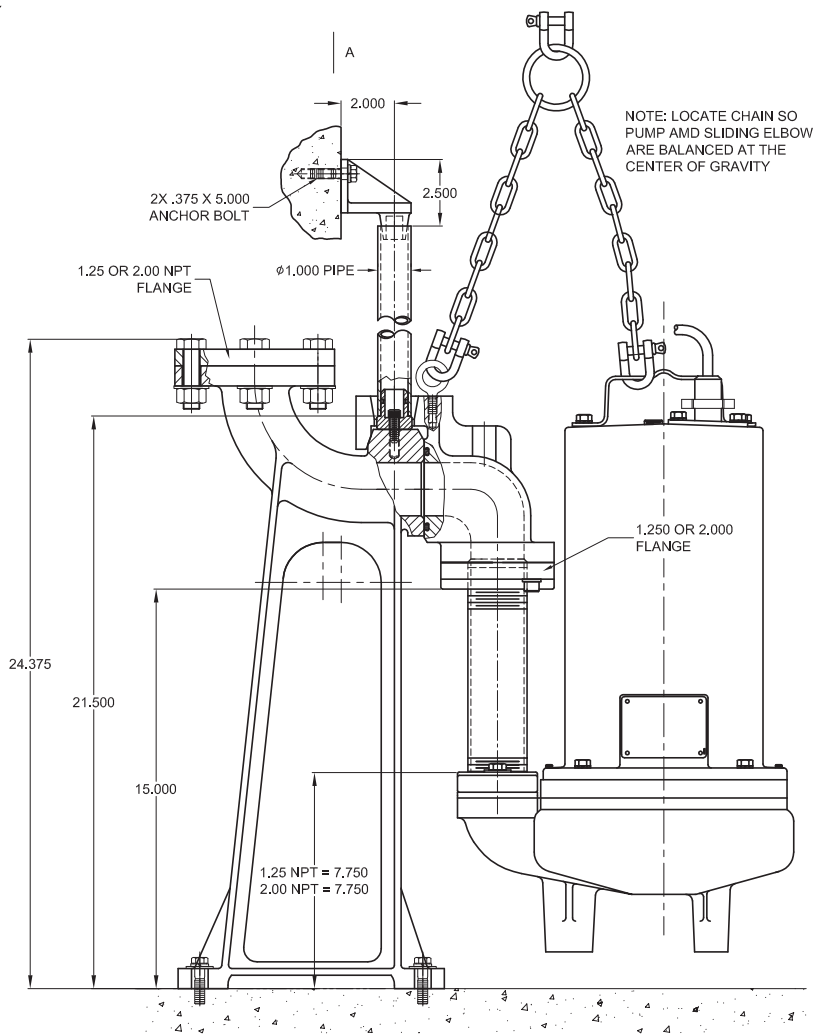
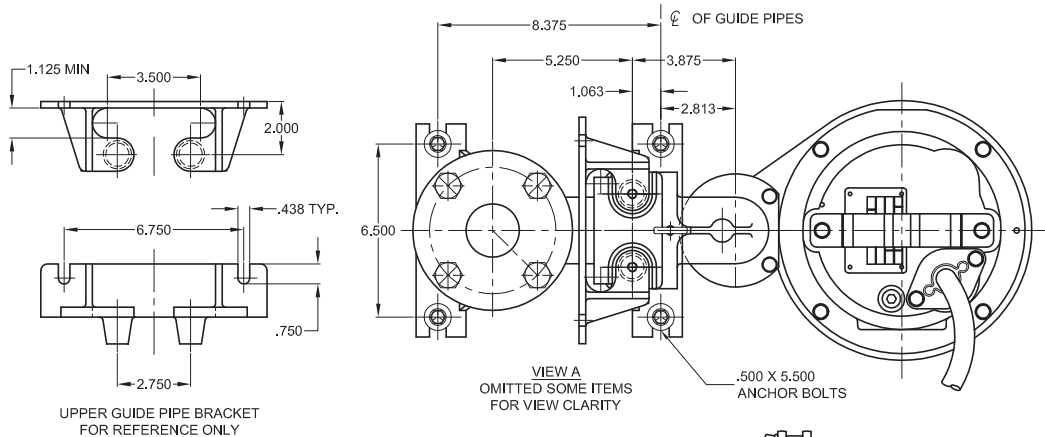
Professional Plumbing

www.cranepumps.com

Accessories

BAF - 1212, 1220, 2020

inches
(mm)



DIMENSIONS FOR REFERENCE ONLY

* **CAN NOT** be used with old generation 2HP SGV Grinder pumps, part numbers 105234 thru 105239

See page 6 for OPTIONAL Intermediate Supports.

NOTE: Lifting Chain sold separately.

SECTION G
PAGE 20
DATE 5/14

CRANE®

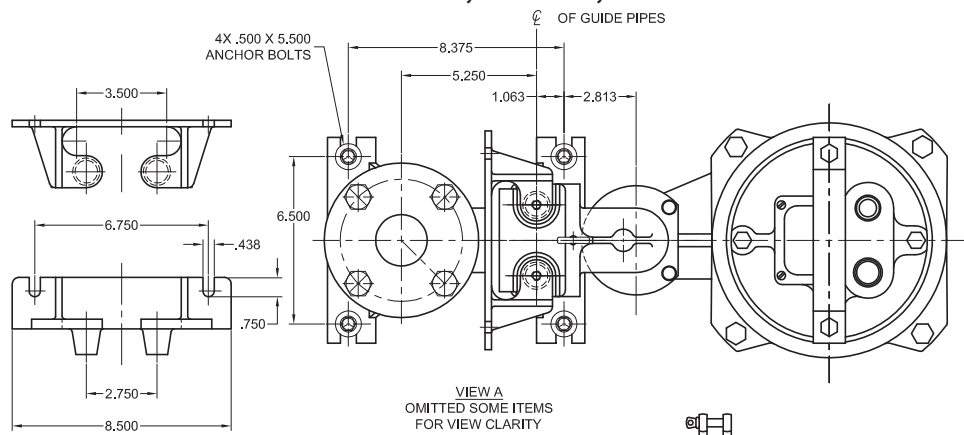
A Crane Co. Company

PUMPS & SYSTEMS

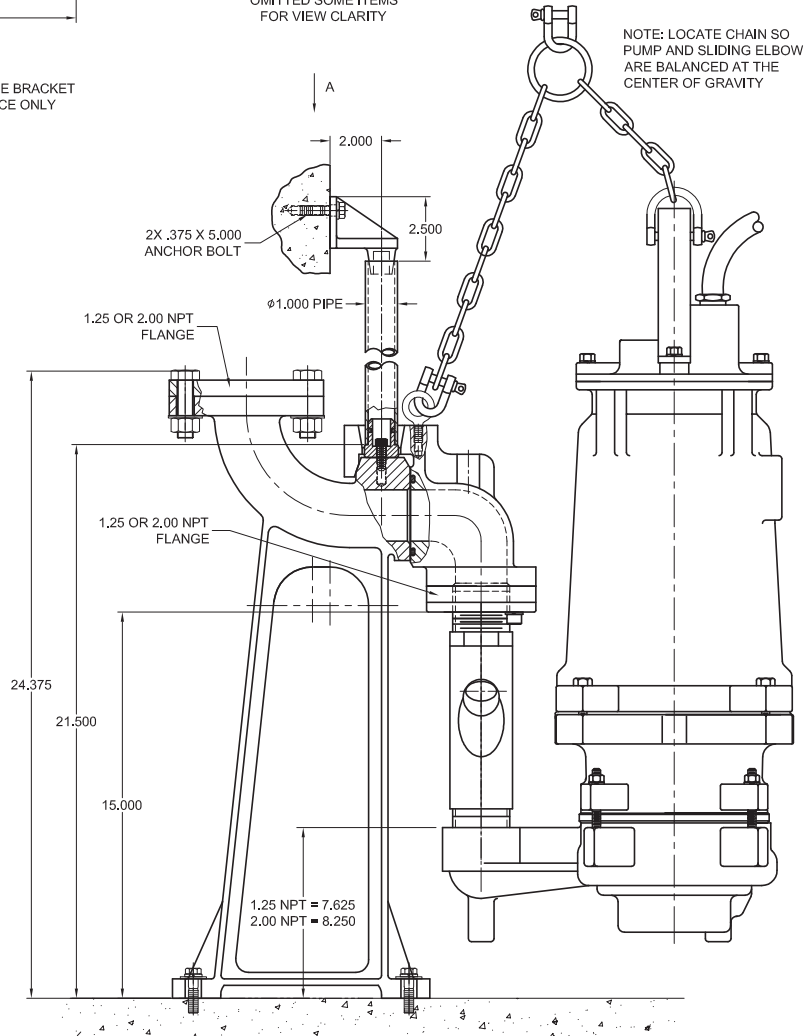
USA: (937) 778-8947 • Canada: (905) 457-6223 • International: (937) 615-3598

BAF - 1212CV, 1220CV, 2020CV

inches
(mm)



UPPER GUIDE PIPE BRACKET
FOR REFERENCE ONLY



DIMENSIONS FOR REFERENCE ONLY

* The 1.25 x 2 is supplied with an ultra close adapter.
See page 6 for OPTIONAL Intermediate Supports.
NOTE: Lifting Chain sold separately.

If pump is not equipped with a removeable discharge flange, the casing may need removal to install the check valve

Break Away Fitting

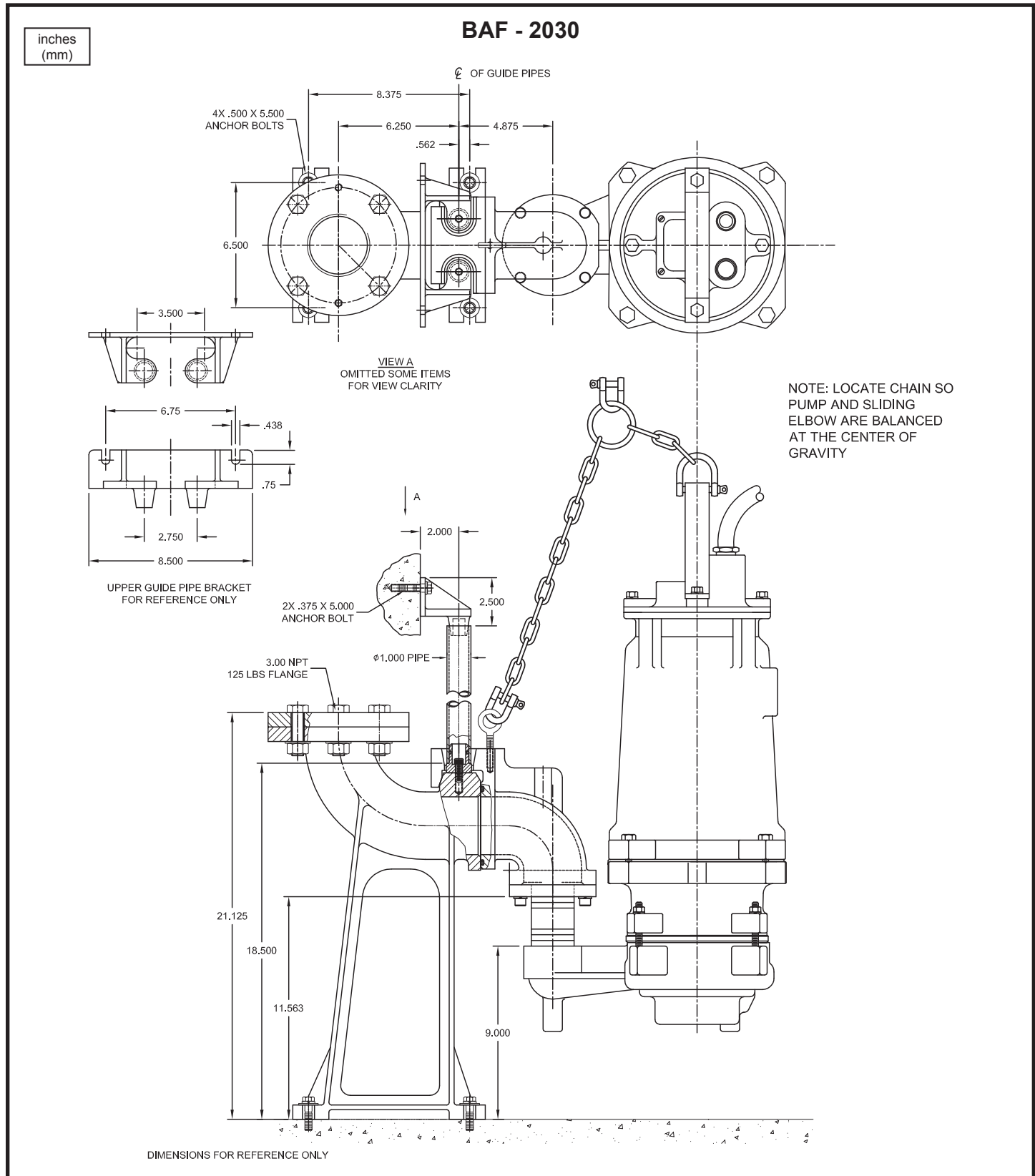
2" x 3"

BARNES®

Professional Plumbing

www.cranepumps.com

Accessories



SECTION G
PAGE 22
DATE 5/14

CRANE

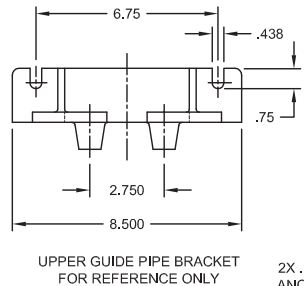
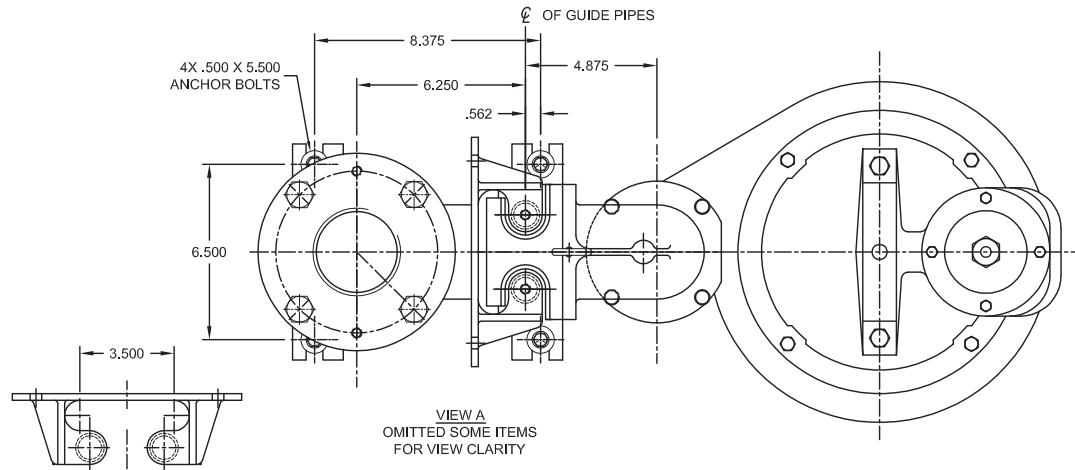
A Crane Co. Company

PUMPS & SYSTEMS

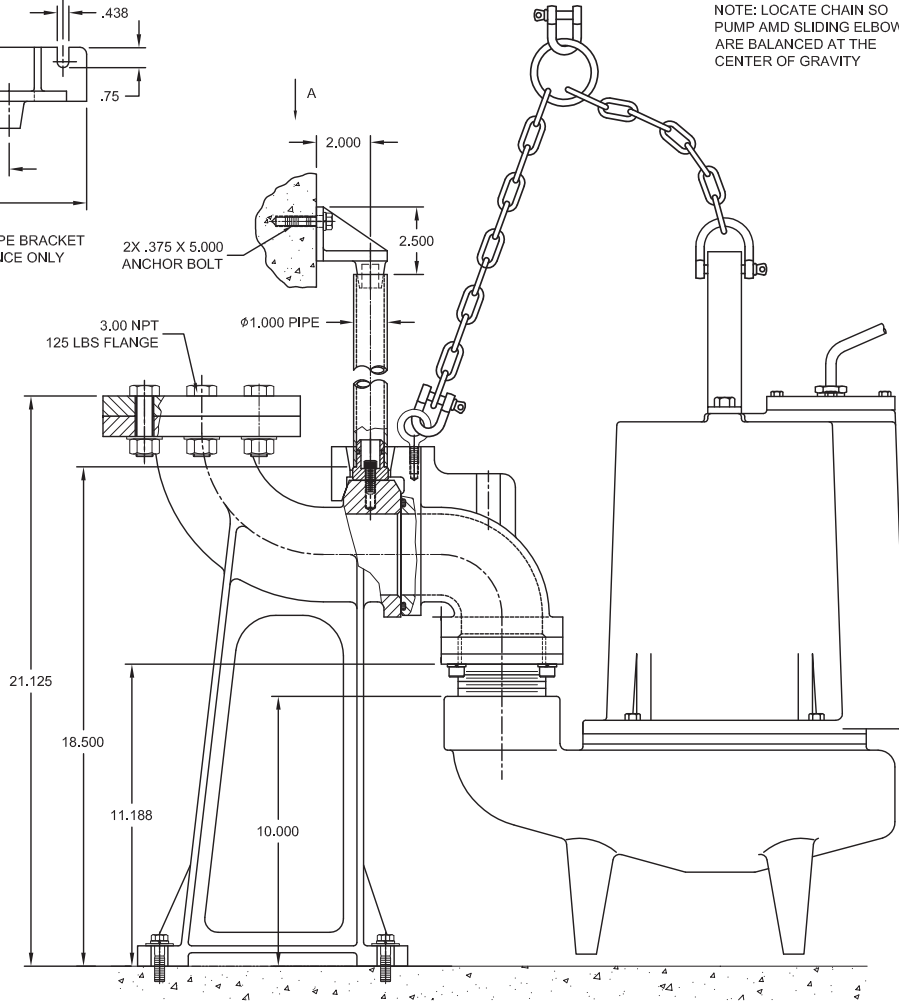
USA: (937) 778-8947 • Canada: (905) 457-6223 • International: (937) 615-3598

BAF - 3030

inches
(mm)



NOTE: LOCATE CHAIN SO PUMP AND SLIDING ELBOW ARE BALANCED AT THE CENTER OF GRAVITY



Break Away Fitting

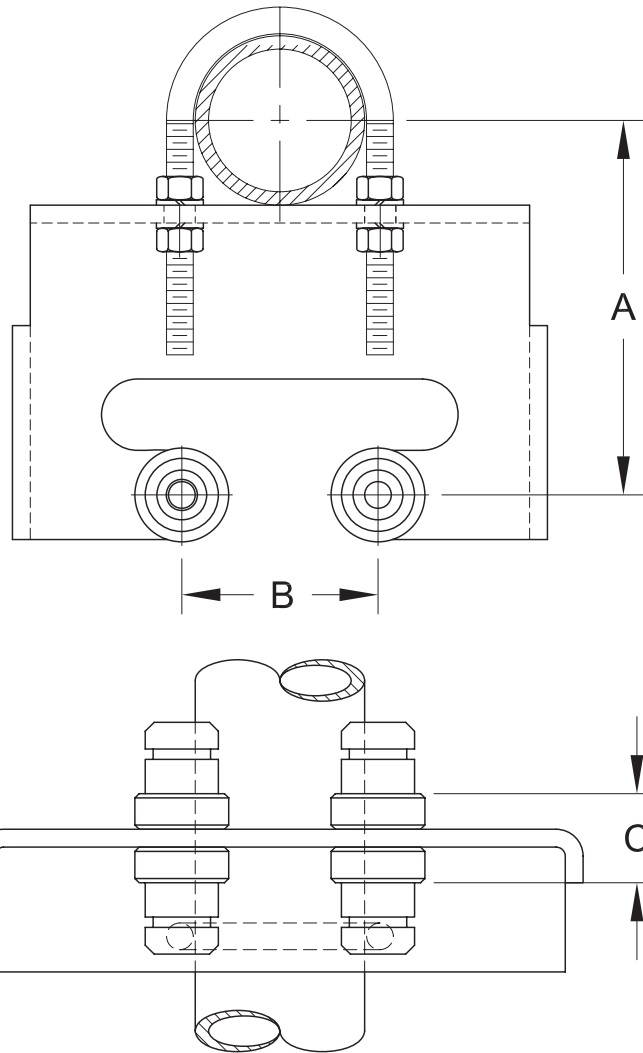
Stainless Steel Intermediate Rail Support

BARNES®

Professional Plumbing

www.cranepumps.com

Accessories



Stainless Steel Intermediate Rail Support Must be Ordered Separately				
BAF Model #	Intermediate Rail Support P/N	Dim "A"	Dim "B"	Dim "C"
BAF-1212	750940	5.25"	2.75"	1.25"
BAF-1220	750941	5.25"	2.75"	1.25"
BAF-2020	750941	5.25"	2.75"	1.25"
BAF-2030	750944	6.25"	2.75"	1.25"
BAF-3030	750944	6.25"	2.75"	1.25"
BAF-1212CV	750940	5.25"	2.75"	1.25"
BAF-1220CV	750941	5.25"	2.75"	1.25"
BAF-2020CV	750941	5.25"	2.75"	1.25"

SECTION G
PAGE 24
DATE 1/14

CRANE®

A Crane Co. Company

PUMPS & SYSTEMS

USA: (937) 778-8947 • Canada: (905) 457-6223 • International: (937) 615-3598