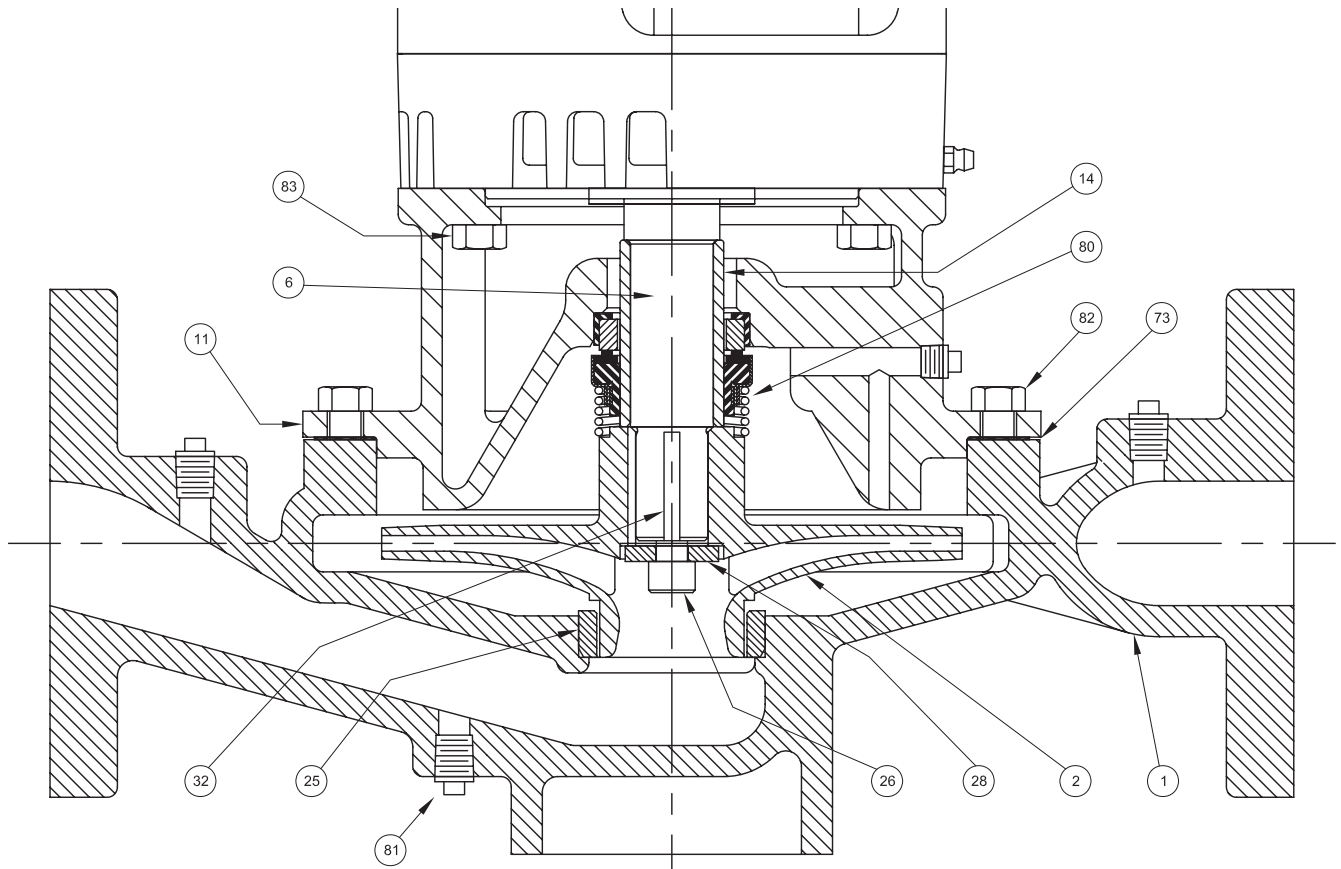


Close Coupled In-Line Pumps



Parts List and Materials of Construction Standard Casing Working Pressure - 175 PSI @ 100° F		
Item No.	Part Name	Std. Bronze Fitted
1	Casing	Cast Iron
2	Impeller	Bronze
6	Motor Shaft	Steel
11	Casing Cover	Cast Iron
14	Shaft Sleeve	Bronze
25	Casing Wear Ring	Bronze
26	Impeller Screw	Stainless Steel
27	Casing Cover Ring (not shown)	Bronze
28	Impeller Washer	Stainless Steel
32	Impeller Key	Stainless Steel
73	Casing Gasket	Cellulose Fiber
80	Mechanical Seal	See Below
81	Plugs	Steel
82	Hex Nut	Steel
83	Cap Screw	Steel

Mechanical Seal - J.Crane Type 21 Material Code XP-171				
Explanation of Material Code				
Elastic Parts	Rotating Face	Metal Parts	Stationary Seat	Spring
Viton	Carbon	Stainless Steel	Ni-Resist	Stainless Steel

Maximum Temperature 250°F