

## Davey® Repair or Replacement Guarantee

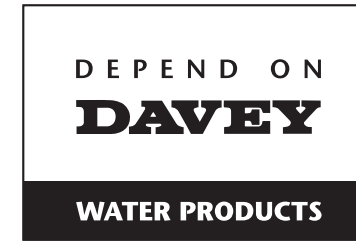
1. The guarantee period commences on the date of original purchase of the equipment. Evidence of this date of original purchase must be provided when claiming repairs under guarantee. It is recommended you retain all receipts in a safe place.
2. Davey products are warranted to the original user only to be free of defects in material and workmanship for a period of 12 months from date of installation, but no more than 24 months from date of manufacture. Davey's liability under this warranty shall be limited to repairing or replacing at Davey's option, without charge, FOB Davey's distribution center or authorized service agent. Davey will not be liable for any costs of removal, installation, transport or any other charges that may arise in connection with the warranty claim.
3. This guarantee is subject to due compliance by the original purchaser with all directions and conditions set out in the Installation and Operating Instructions. Failure to comply with these Instructions, damage or breakdown caused by fair wear and tear, negligence, misuse, incorrect installation, inappropriate chemicals or additives in the water, inadequate protection against freezing, rain or other adverse weather conditions, corrosive or abrasive water, lightning or high voltage spikes or through unauthorized persons attempting repairs are not covered under guarantee. The product must only be connected to the voltage shown on the nameplate.
4. Davey shall not be liable for any loss of profits or any consequential, indirect or special loss, damage or injury of any kind whatsoever arising directly or indirectly from the product or any defect, and the purchaser shall indemnify Davey against any claim by any other person whatsoever in respect of any such loss, damage or injury.
5. Some states do not allow the exclusion or limitation of incidental or consequential damages or limitations on how long an implied warranty lasts, so the above limitations or exclusions may not apply to you. The warranty gives you specific legal rights and you may also have other rights which vary from state to state.
6. This guarantee applies to all states and territories of United States of America and Canada only.

® Davey and Torrium are registered trademarks of Davey Water Products Pty Ltd.  
© Davey Water Products Pty Ltd 2012

### USA

Have installment questions or problems?  
Need warranty?

Before returning this product to your dealer contact a  
Davey Authorized Service Centre in USA by calling 86.328.7867  
or visit [www.daveyusa.com](http://www.daveyusa.com)




# Installation and Operating Instructions for Davey BT Series Pressure Systems with

## DAVEY TORRIUM<sup>2</sup>



 **NOTE:** Prior to installation remove the inlet and outlet pipe transport plugs & associated seals from the suction and/or discharge ports.

 **WARNING :** The Torrium<sup>2</sup> controller, pump and associated pipework operate under pressure. Under no circumstances should the Torrium<sup>2</sup> controller, pump or associated pipework be disassembled unless the internal pressure of the unit has been relieved. Failure to observe this warning will expose persons to the possibility of personal injury and may also result in damage to the pump, pipework or other property.

 **WARNING:** Failure to follow these instructions and comply with all applicable codes may cause serious bodily injury and/or property damage.

**Please pass these instructions on to the operator of this equipment.**



Davey Water Products Pty Ltd  
Member of the GUD Group  
ABN 18 066 327 517

**AUSTRALIA**  
**Head Office and Manufacturing**  
6 Lakeview Drive,  
Scoresby, Australia 3179  
Ph: +61 3 9730 9222  
Fax: +61 3 9753 4100  
Website: [davey.com.au](http://davey.com.au)

**Davey Support Centre**  
Ph: 1300 2 DAVEY  
(1300 232 839)  
Fax: 1300 369 119  
E-mail: [sales@davey.com.au](mailto:sales@davey.com.au)

**NEW ZEALAND**  
7 Rockridge Avenue,  
Penrose, Auckland 1061  
Ph: +64 9 570 9135  
Fax: +64 9 527 7654  
E-mail: [sales@daveynz.co.nz](mailto:sales@daveynz.co.nz)  
Website: [daveynz.co.nz](http://daveynz.co.nz)

**Davey Support Centre**  
Ph: 0800 654 333

**REST OF WORLD**  
6 Lakeview Drive,  
Scoresby, Australia 3179  
Ph: +61 3 9730 9121  
Fax: +61 3 9753 4248  
E-mail: [export@davey.com.au](mailto:export@davey.com.au)  
Website: [davey.com.au](http://davey.com.au)



Quality  
ISO 9001



Environment  
ISO 14001

P/N 401341-6 supersedes P/N 401341-5

Prior to using this pump you must ensure that:

- The pump is installed in a safe and dry environment
- The pump enclosure has adequate drainage in the event of leakage
- Any transport plugs are removed
- The pipe-work is correctly sealed and supported
- The pump is primed correctly
- The power supply is correctly connected
- All steps have been taken for safe operation

Appropriate details for all of these items are contained in the following Installation and Operating Instructions. Read these in their entirety before switching on this pump. If you are uncertain as to any of these Installation and Operating Instructions please contact your Davey dealer or the appropriate Davey office as listed on the back of this document.

Congratulations on your purchase of a high quality, Davey pressure system. All components have been designed and manufactured to give trouble free, reliable operation.

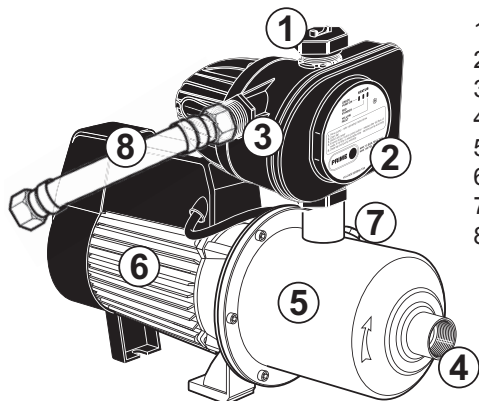
Your new pressure system incorporates 'Torrium2®', electronic flow controller – a Davey designed unit that enables the use of a highly efficient pump design and offers the following benefits:–

1. Enables the pump to deliver a constant flow of water particularly at low flow rates – reducing the inconvenience of pressure variation in showers etc.
2. Provides automatic “cut-out” protection should the pump run out of water or overheat\*, should the pump fail to start due to low voltage or a blockage in the pump.
3. Provides an easy to understand visual representation of the system status.
4. Has adaptive pressure cut-in which allows the pump to start at approximately 80% of the maximum pressure at last shut-down. This allows the controller to accommodate varying inlet pressures and pump performance.
5. Automatic retry functions in the event of a critical system fault.
6. Pressure indicator so you can easily tell what the pressure in your water supply system is doing.
7. Easy visual guide to the status of the inbuilt surge arrestor.
8. Choice of both vertical and horizontal outlets.

\* Motor overload / overheat protection included. Motor has its own overload / overheat protection.

**Before installing your new pump, please read all instructions carefully as failures caused by incorrect installation or operation are not covered by the guarantee. Your Davey pressure system is designed to handle clean water. The system should not be used for any other purpose without specific referral to Davey. The use of the system to pump flammable, corrosive and other materials of a hazardous nature is specifically excluded.**

**NOTE:** Prior to installation remove the red transport plugs from the suction and/or discharge.



1. Torrium2® Priming Plug
2. Torrium2® Control Module
3. Discharge Outlet
4. Suction Inlet
5. Pump Body
6. Motor
7. Priming Plug (pump)
8. Stainless Steel Braided Hose (1" F x 1" F)



**NOTE:**

- a) For protection, the Davey® pump motor is fitted with an automatic “over temperature” cut-out. Constant tripping of this overload device indicates a problem e.g. low voltage at pump, excessive ambient temperature (above 115°F) in pump enclosure.
- b) The Torrium2® control device may have to be reset after rectifying any of the above operating troubles. This is done by pushing in the “prime” button and releasing it after 2 seconds, or switching the power supply off then on.



**Motor normally operates at high temperature and may be too hot to touch. Before handling pump or motor, stop motor and allow it to cool.**



**NOTE:** To protect the pump, the Torrium fitted to your pump has a secondary over temperature function built-in. This function automatically stops the pump should the water in the pump reach 160°F. The pump will automatically restart once the water temperature drops below 140°F.



**WARNING:** When servicing or attending pump, always ensure power is switched off and lead unplugged. Electrical connections should be serviced only by qualified persons. If the electrical supply lead of this pressure system is damaged, it must be replaced.



Care should also be taken when servicing or disassembling pump to avoid possible injury from pressurised water. Unplug pump, relieve pressure by opening a tap on the discharge side of the pump and allow any hot water in the pump to cool before attempting to dismantle.



During servicing, use only approved, non-petrochemical based oring and gasket lubrication. If unsure, consult your Davey Dealer for advice.



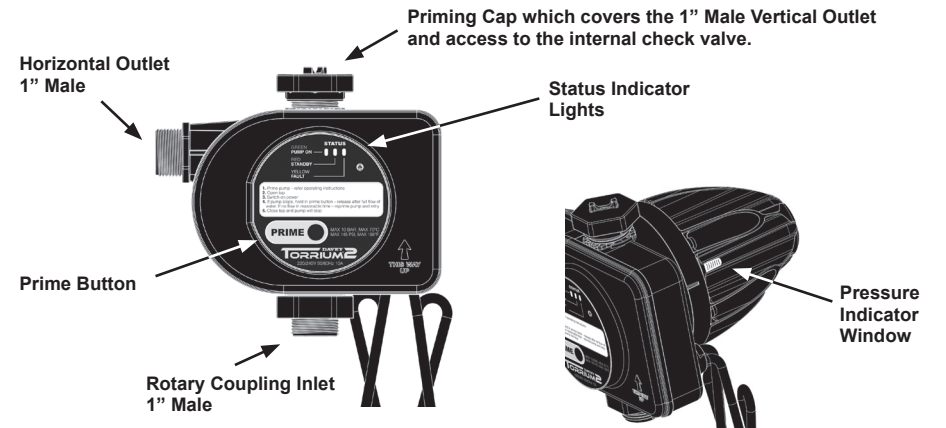
**WARNING:** Do not use hydrocarbon based or hydrocarbon propelled sprays around the electrical components of this pump.



This pump is not to be used by children or infirm persons and must not be used as a toy by children.

## After Sales Service

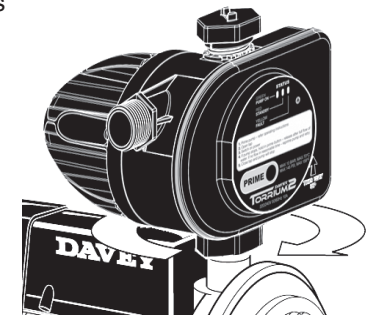
For professional after sales service or repair contact your Davey Dealer. For assistance in locating your nearest dealer please call USA: 866.328.7867 or visit [www.daveyusa.com](http://www.daveyusa.com)



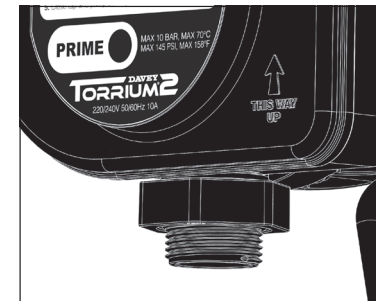
## Fitting the Torrium2® directly to the Pump

The Torrium2® is fitted with a rotary coupling. This coupling allows the pump controller to be fitted simply and easily to the pump discharge.

The coupling has an oring seal. The controller adaptor nut is able to rotate independent of the Torrium2® and the complete pump, this allows it to be tightened onto the pump easily. For ease of installation a tightening tool is included with Torrium2® to tighten the controller nut to ensure a firm connection to your controller.



The ability to rotate the adaptor nut also means that the complete controller, once fitted to the pump, can be rotated a full 360° in the horizontal plane, without causing the coupling to unscrew from the pump outlet.



**DO NOT USE TEFLON TAPE OR THREAD SEALING COMPOUNDS WHEN FITTING TORRIUM2® DIRECTLY TO THE PUMP**



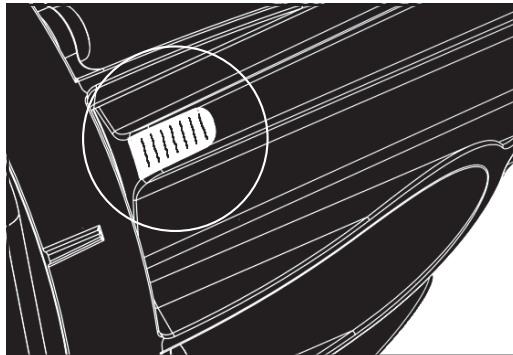
With Torrium2® you can connect the discharge pipework to the discharge port and/or the vertical priming port. The priming port is able to be used as a discharge port.

## Pressure Indicator Window

Torrium has an easy to read pressure indicator window on the side of the inbuilt pressure vessel – see Figure 1 on page 3.

If the pressure is low the window will show mainly red. If the pressure is at maximum (i.e. 65psi for TT45 and 100psi for TT70 models) the window will show mainly green.

The window can also help analyse the occurrence of unwanted leaks. If the colour band in the window is moving towards red, this shows that pressure is decreasing. If the colour band in the window is moving towards green, this shows that pressure is increasing.



## Discharge Connections

The Torrium2® offers the option of using one or both outlet options. Use of the horizontal outlet only allows for either:

1. Easy access to prime the pump and / or the removal of the inbuilt Torrium check valve
2. Fitment of a pressure tank (up to 5 pallon capacity) onto the priming port / vertical discharge port

If you use the vertical outlet instead or as well, you need to consider access to the inbuilt check valve in the Torrium. Davey suggest you use the enclosed flexible connection to allow for ease of access to the check valve.

b) PUMP SWITCHES ON AND OFF FREQUENTLY (CYCLING)

c) MOTOR DOESN'T START WHEN SWITCHED ON - INDICATOR LIGHTS NOT ILLUMINATED



**WARNING:** Automatic reset thermal overloads may allow the pump to restart without warning. Always disconnect the pump motor from the electrical supply before maintenance or repairs.



**WARNING:** When servicing or attending pump and/or controllers, always ensure power is switched off and lead unplugged. Electrical connections should be serviced only by qualified persons.

d) MOTOR STOPS - YELLOW STATUS INDICATOR LIGHT IS ILLUMINATED.

1. Motor "over temperature" cut-out tripped. Consult Davey dealer.
2. Motor not free to turn - e.g. a jammed impeller. Consult Davey dealer.
3. Prime button has been held in for too long. Release prime button and switch off power for 1 minute to allow unit to reset.
4. Your Torrium2® has detected high water temperature in the pump. Once the water has cooled the Torrium2® will automatically restart the pump.

e) PUMP WILL NOT STOP

1. Water leaks on discharge side of pump.

f) PUMP WILL OPERATE NORMALLY INITIALLY BUT WILL NOT RESTART ON WATER DEMAND - STATUS INDICATOR LIGHT NOT ILLUMINATED

1. Power supply problem - see c) 1.

g) PUMP WILL OPERATE NORMALLY INITIALLY BUT WILL NOT RESTART ON WATER DEMAND - YELLOW STATUS INDICATOR LIGHT IS ILLUMINATED.

1. Suction air leak - pump has partially lost prime.
2. Blocked impellers or suction.
3. Discharge valve closed - open valve.



**NOTE:** The Torrium2® controller fitted to this pump is adaptive. If your pump draws air or is subject to blockage, the Torrium2 adapts to its new maximum pressure. This may result in your system pressure not dropping below the new cut-in pressure and your pump not starting. Should this occur, re-prime your pump units as detailed above. Should this not prove successful, it is likely you have a blockage in the pump. You should contact your Davey dealer for assistance.

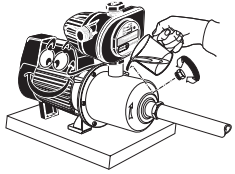


**NOTE:** The Torrium2® controller is adaptive. If your pump draws air or is subject to blockage, the Torrium2® adapts to its new maximum pressure. This may result in your system pressure not dropping below the new cut-in pressure and your pump not starting. This is more likely to occur when boosting mains pressure. Should this occur, re-prime your pump unit. Should this not prove successful, it is likely you have a blockage in the pump. You should contact your Davey dealer for assistance.

## Priming and Operation

The Torrium2® module fitted to your BT Booster is provided with a push button "Prime" button. This button is used during initial priming of the pump and also acts as a reset button if the Torrium2® switches out in pump protection mode.

1. Remove priming plug and fill casing and suction line (on flooded suction or mains boosting, simply open gate valve to pump). When full, replace priming plug.



2. Ensure outlet nearest to pump is open.



3. Ensure all valves in suction line are open.

4. Switch on power - The status indicator light will be illuminated green and the pump will run. A full flow of water should be discharged from the open tap.



5. If the pump stops with the tap open see troubleshooting checklist.

6. Close the open outlet or tap and the pump should stop after a few seconds (the status indicator light should be illuminated red (constant). If not, consult the troubleshooting checklist.

### To Reset if Pump switches out in Pump Protection Mode

1. Make sure pump is primed.
2. Open tap, push prime button.
3. Close tap and pump will stop.

## Maintenance



**WARNING :** Under no circumstances should Torrium2® controller be disassembled. Failure to observe this warning will expose persons to the possibility of personal injury and may also result in damage to other property. Do not dismantle, no user serviceable parts, spring under pressure.

The only regular attention your new pressure system may require will be if you have used an additional pressure tank. Depending on the tank used you may need to check the pressure tank's air charge every 6 months. Follow the instructions applicable to each tank.

## Trouble Shooting Check List

### a) PUMP HAS STOPPED OR MOTOR RUNS FOR SHORT PERIOD ONLY WHEN SWITCHED ON OR PRIME BUTTON PUSHED, BUT DOES NOT PUMP - YELLOW STATUS INDICATOR LIGHT ILLUMINATED.

1. Suction line and pump body not filled with water.
2. Air leaks in suction lines or suction pipe not under water.
3. Air trapped in suction lines (also possible with flooded suction due to uneven rise in piping; eliminate humps and hollows).
4. No water at source or water level too low.
5. Valve on suction lines closed. Open valve & pump will restart automatically or press "Prime" button.

## Choosing a Site

Choose a site with a firm base and as close to the water source as possible with correct power supply. Make sure your pressure system is always connected to an adequate, reliable source of clean water.

## Housing your Davey Pressure Booster System

To protect your pressure booster system from the weather, make sure the pump house is both water proof, frost free and has adequate ventilation. The pump should be horizontally mounted on a firm base allowing for drainage, to avoid damage to flooring etc., that over time may occur from leaking pipe joints or pump seals. Do not mount the pump vertically. Never place flammable materials on or near your pump.



**WARNING:** Some insects, such as small ants, find electrical devices attractive for various reasons. If your pump enclosure is susceptible to insect infestation you should implement a suitable pest control plan.



**FREEZING CONDITIONS:** In situations subject to freezing, drain water from pump, tank & pipework to avoid damage not covered under guarantee.

## Power Connection

Connect lead to power supply designated on pump label. Do not use long extension leads as they cause substantial voltage drop, poor pump performance and may cause motor overload.

BT14-30, BT20-30 and BT14-45 models are 115 volt 60Hz models, fitted with NEMA 5-15P plugs intended for direct connection to a three pin wall socket.

BT20-40 models are 230 volt 60Hz only and are fitted with NEMA 6-15P plugs intended for direct connection to a 6-15R three pin wall socket. The color codes are: Green = Ground/Earth, Black = Hot, Active or L1, White = Neutral or L2.

Ensure that the circuit including the breakers on the power supply have sufficient capacity to accommodate pump starting amperage. Davey recommend a minimum circuit capacity of 20 amps for 115 volt models and 10 amps for 230 volt models.



All wiring must conform to National (NEC), CSA, state, provincial, and local codes. Power supply voltage, phase and controls must match motor.



The Davey Torrium2® fitted to this pump has status indicator light mounted on its front panel. These lights will only work when unit is connected to an electrical supply.



The electrical connections and checks must be made by a qualified electrician and comply with applicable local standards.

## Auto-retry and Water Return Modes

Should your Torrium2® detect a loss of prime, after stopping the pump, it will wait five minutes before activating Auto-retry and Water Return modes. Auto-retry automatically starts the pump to see if the pump is now primed. It does this after 5 mins, 30 mins, 1 hr, 2 hrs, 8 hrs, 16 hrs and 32 hrs. Water return mode will restart the pump automatically if the Torrium2® detects water flow through it.

## Electrical Power Surge Protection

An electrical power surge or spike can travel on the supply lines and cause serious damage to your electrical equipment. The Torrium2® fitted to this pump has a metal oxide varistor (MOV) fitted to help protect it's circuit. This MOV is a "sacrificial" device, meaning that it effectively is gradually damaged every time it takes a surge. The MOV is not a lightning arrestor and may not protect the Torrium2® if lightning or a very powerful surge hits the pump unit.

If the installation is subject to electrical power surges or lightning we strongly recommend the use of suitable additional surge protection devices on ALL electrical equipment.

**⚠ DANGER**



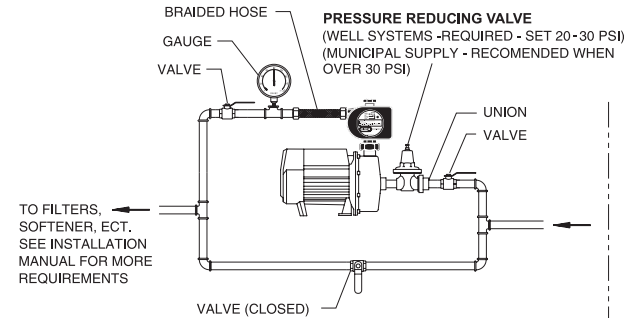
Always disconnect and lockout all electrical power when installing or working on pumps, motor or switches. Insure the power supply breaker is off or the disconnect (where used) is off.

## ⚠ WARNING



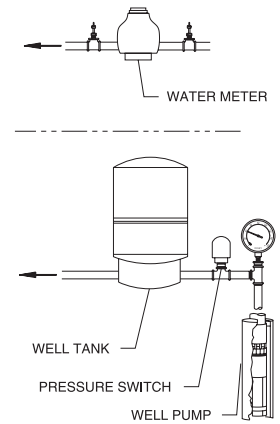
Hazardous voltage. Can shock, burn, or cause death.

- ⚠ Ensure wall socket is correctly grounded. Grounding of the motor is essential for your protection and the protection of the motor.
- ⚠ Failure to ground motor can cause severe or fatal electrical shock hazard.
- ⚠ Do not ground to a gas supply line.
- ⚠ Supply voltage must be within  $\pm 10\%$  of nameplate voltage. Incorrect voltage can cause fire or seriously damage motor and voids warranty. If in doubt consult a licensed electrician.
- ⚠ If possible, connect pump to a separate branch circuit with no other appliances on it.



## Municipal Water Supply Application

Do not exceed a total system pressure of 116psi



## Well Pump Application

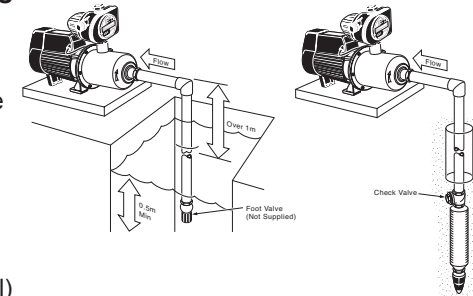


### Abrasive Materials

The pumping of abrasive materials will cause damage to the pressure system which will then not be covered by the guarantee.

## BELOW GROUND WATER SOURCES

Whenever the installation position of the pump is higher than 3ft above the lowest water level, a foot valve must be used on the end of the suction pipe as illustrated in (A). Ensure that the foot valve is at least 1 1/2 feet below minimum water level.



## (DRIVEN) POINT INSTALLATIONS

When a Multistage Pressure Boosting System is installed on a (driven or well) point, a check valve must be fitted immediately on top of the driven point itself, as shown in (B). **DO NOT INSTALL THE CHECK VALVE AT THE PUMP OR AT THE TOP OF THE WELL. DO NOT RUN THE PUMP WITHOUT WATER. NOTE: Be certain to select the driven point to suit the well conditions and regulate the flow rate from the pump accordingly.**

DRIVEN SIZE	MESH	APPROX. MAX. CAPACITY OF DRIVEN POINT
1 1/4"	60	200 - 350 gal/hr
1 1/2"	60	350 - 600 gal/hr
2"	60	600 - 1150 gal/hr

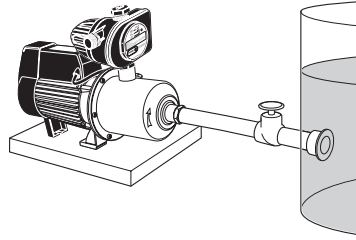


Driven point flow capacities vary considerably. Check with the supplier to ensure the pump and spear point are correctly matched.

## Connection to your Water Source

### FLOODED SUCTION - FROM CISTERN OR STORAGE TANK

Installations with flooded suction require a gate valve so water supply can be turned off for pump removal and servicing.

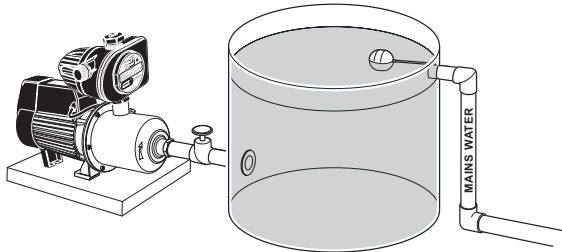


### FLOODED SUCTION - FROM MUNICIPAL WATER SUPPLY OR WELL PUMP

#### Connection of Municipal Water Supply to either Suction or Discharge of Pumps & Pressure Systems

Most Water Supply Authorities have strict regulations regarding direct connection of pumps to municipal water supplies. In some cases an isolating tank is required between mains supply and pump. Directly applied municipal pressure can exceed pump operating pressure and damage pump (see table overleaf).

Models	Maximum Inlet Pressure
BT14-30 & BT20-30	60 psi
BT14-45 & BT40-30	50 psi
BT20-40	20 psi



**NOTE:** The above pressure limits also apply to well pump boosting.

A pressure reducing valve is required on the suction side of the pump when the incoming pressure is greater than shown on the table above. In some areas, local codes restrict maximum allowable home pressures, and in those cases the pressure reducing valve will need to be set to lower pressures.

Local code limits for home pressure	Pressure reducing valve setting (psi)				
	BT14-30	BT20-30	BT14-45	BT20-40	BT40-30
No limit	60psi	50psi	50psi	20psi	50psi
80psi	40psi	30psi	30psi	N/A	30psi
70psi	30psi	20psi	20psi	N/A	20psi

The chart below shows the applicable settings for the pressure reducing valve. Davey Water Products Pty Ltd can not accept responsibility for loss or damage resulting from incorrect or unauthorised installations.

## Surge Protector Status Window

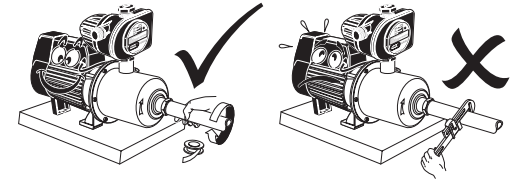
To allow you to check the status of the inbuilt MOV in the Torrium2® there is a viewing window at the back of the Torrium2® above the power lead entry / exit grommet. The MOV is the blue disc shaped component. Should it be consumed due to power spikes it will almost always blacken the viewing port. This will indicate a non-warrantable failure.



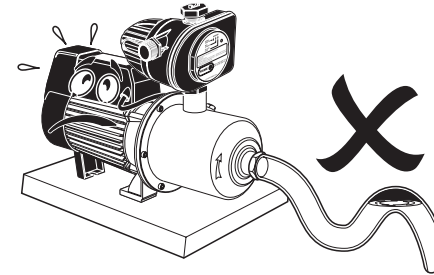
**NOTE:** For protection, the Davey pump motors are fitted with an automatic reset thermal overload, constant tripping of this overload indicates a problem e.g. low voltage at pump, excessive temperature (above 115°F) in pump enclosure.

## Pipe Connections

For best performance use P.V.C. or polythene pipes at least the same diameter as the pump's inlet and delivery outlet openings. Larger diameter pipe may be used to minimise resistance to flow when pumping longer distances.



**Do not use pipe thread sealing compounds on any part of this pump. ONLY use Teflon sealing tape.**



Use unions at pipe connections to enable easy removal and servicing. Use sufficient tape to ensure airtight seal and hand tighten only. To prevent strain on pump threads always support heavy inlet and outlet pipes. If there is a likelihood the water supply may contain solid particles such as pieces of plant or vegetable matter, a filter should be installed before the pump to avoid blocking of water ways. Lay suction pipe at a constant gradient to avoid air pockets which may reduce pump efficiency.



**NOTE:** Suction leaks are the largest cause of poor pump performance and are difficult to detect. Ensure all connections are completely sealed using thread tape only.



Flexible pipe should be considered to allow for movement between building, pump and/or water supply. Braided hose, reinforced hose or polythene pipe are suitable.

## Extra Draw-off Capacity

The Torrium2® controller has an in-built accumulator which will accommodate small leaks. In some applications it may be appropriate to install additional accumulator (Supercell pressure tank) capacity. These applications includes:

- Long suction lines (see Suction Lines / Lift)
- Low flow appliances connected to the pump, such as evaporative air conditioners, slow filling toilet cisterns, etc.

Any additional accumulators can be installed either in place of the priming plug (see Figure 1) for tanks up to 5 gallons total capacity, or for larger tanks, downstream of the controller (ie. between the controller and the first outlet).



**NOTE: If fitting a tank to the priming port, you may require a 1" BSP socket, since Torrium2® prime port is 1" male BSP thread.**

Where extra draw-off capacity is utilised the additional pressure tank should have a pre-charge of 70% of the maximum system (shut-off) pressure, see table below.

## Evaporative coolers, RO filters and extra draw-off capacity

Where a Torrium2® equipped pump is required to supply water to an evaporative cooler, reverse osmosis (R.O.) filter or similar low flow device, the Torrium2® will detect the limited demand. This will result in the Torrium2® adapting to the slow demand. The pump start pressure will be allowed to drop to a lower cut in pressure each time low flows are detected. To provide the maximum draw-off from the additional pressure tank, the tank's pre-charge should be set at 45% of the pump shut-off pressure.

If normal flow is required from your system, Torrium2® will initiate instant start.

Fit the pressure tank (up to 5 gallons total capacity) to the tank connection/priming port **with thread tape and pipe socket**. Firmly **hand** tighten. For larger tanks, these should be installed downstream of the controller.



**DO NOT USE THREAD SEALING COMPOUNDS, HEMP OR PIPE DOPE!**

## Where to use Check Valves and Foot Valves

The Torrium2® controller fitted to BT Boosters has an inbuilt non-return (check) valve fitted. In flooded suction installations there is no need to have a suction non-return valve.

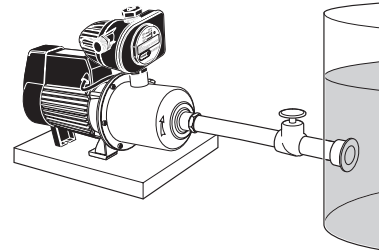
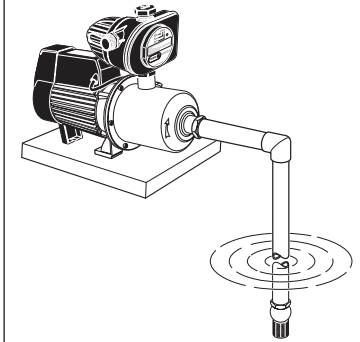
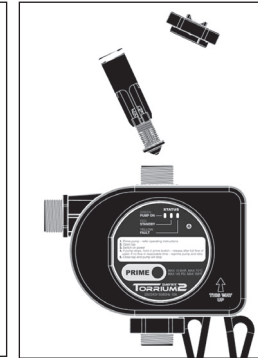
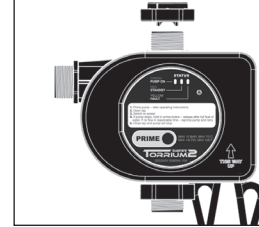
In suction lift installations a footvalve will normally be required for the pump to retain prime.

In some suction lift installations there may be good reason to remove the inbuilt check valve to ensure that the discharge pressure is also applied to the suction line and footvalve. This could be where the suction line was very long or where there was concern regarding a leaking footvalve. This may not always be applicable and it is acceptable to retain the inbuilt check valve in the Torrium2 on suction lifts with good suction plumbing.

Should the inbuilt check valve be removed though, an additional accumulator should be fitted to the Torrium2, or discharge pipework as applicable, to ensure the pump is not cycled on shut down. The size of this accumulator will depend on the size, length and type of pipe used on the suction.

## Torrium2 Check Valve Removal

Remove priming cap and turn over cap. Lugs on cap will engage check valve to unscrew.



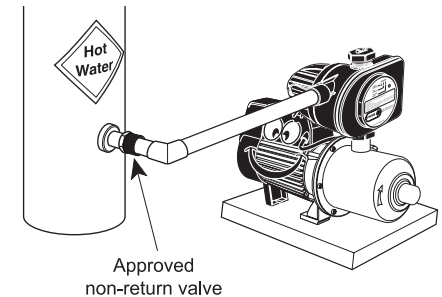
Installations with flooded suction require a gate or isolating valve so water supply can be turned off for pump removal and servicing.



**Abrasive Materials**  
The pumping of abrasive materials will cause damage to the pressure system which will then not be covered by the guarantee.

## For Automatic Pressure Pumps Installed with a Mains Pressure Hot Water System

To protect your system from damage caused by back pressure from hot water systems, you should always have installed on the hot water inlet an approved non-return valve. In some cases an expansion tank may be required. Please consult an HVAC specialist.



**NOTE: Always ensure hot water systems are installed in compliance with manufacturers recommendations and in accordance with all local regulations.**