



Product information presented here reflects conditions at time of publication. Consult factory regarding discrepancies or inconsistencies.

PUMP COMPANY

Zoeller Family of Water Solutions™

50/60Hz

MAIL TO: P.O. BOX 16347 • Louisville, KY 40256-0347 USA
 SHIP TO: 3649 Cane Run Road • Louisville, KY 40211-1961 USA
 +1 (502) 778-2731 • FAX +1 (502) 774-3624

visit our web site:
www.zoeller.com

Register your
 Zoeller Pump Company
 Product on our website:
<http://reg.zoellerpumps.com/>

OWNER'S MANUAL

MODELS 840, 841 & 842 SUBMERSIBLE GRINDER UNITS

Congratulations on the purchase of a Zoeller submersible grinder pump. Since 1939, the name Zoeller has represented the standard for submersible dewatering and sewage pumps. The same high-quality workmanship and easy maintenance design has been incorporated into this line of heavy-duty submersible grinder pumps. This Zoeller pump will provide years of trouble-free service when installed according to the manufacturer's recommendations.

This manual incorporates the installation, operation, maintenance, and service instructions into one document to

aid in the ownership of a Zoeller submersible wastewater product. Please read and review this manual before installing the product. Follow the steps in this manual for a proper start-up. Many items contained within, when followed correctly, will not only ensure a long and problem-free life for the pump, but also save time and money during installation. Reference FM1308 for model 840, FM2445 for model 842 and FM2180 for model 841 replacement parts. Should further assistance be necessary, please call our Product Support Department at +1-502-778-2731.

Table of Contents	
Safety Instructions	1
Limited Warranty and Application	2
Preinstallation Checklist.....	2-3
General Information	4
Pump Wiring Instructions.....	5
Typical Indoor Prepackaged System	6
Indoor Prepackaged Installation Instructions	7
Typical Outdoor Prepackaged System	8
Outdoor Prepackaged Installation Instructions	9
Operation.....	10
Cutter Maintenance	11
Service Checklist.....	12

Owner's Information	
Model Number: _____	Date Code: _____
<input type="checkbox"/> Simplex	<input type="checkbox"/> Duplex
<input type="checkbox"/> Packaged System	<input type="checkbox"/> Field Assembled System
Job Name: _____	
Distributor: _____	
Date of Purchase: _____	Zoeller S/O No.: _____
Contractor: _____	
Date of Installation: _____	
System Readings During Start-up: Voltage _____ Amps _____	

Safety Instructions	
<p>TO AVOID SERIOUS OR FATAL PERSONAL INJURY OR MAJOR PROPERTY DAMAGE, READ AND FOLLOW ALL SAFETY INSTRUCTIONS IN THIS MANUAL AND ON THE PUMP.</p> <p>THIS MANUAL IS INTENDED TO ASSIST IN THE INSTALLATION AND OPERATION OF THIS UNIT AND MUST BE KEPT WITH THE PUMP.</p>	
<p>This is a SAFETY ALERT SYMBOL.</p> <p>When you see this symbol on the pump or in the manual, look for one of the following signal words and be alert to the potential for personal injury or property damage.</p>	
	<p>▲ DANGER Warns of hazards that WILL cause serious personal injury, death or major property damage.</p> <p>▲ WARNING Warns of hazards that CAN cause serious personal injury, death or major property damage.</p> <p>▲ CAUTION Warns of hazards that CAN cause personal injury or property damage.</p> <p>▲ NOTICE Indicates special instructions which are very important and must be followed.</p>
<p>THOROUGHLY REVIEW ALL INSTRUCTIONS AND WARNINGS PRIOR TO PERFORMING ANY WORK ON THIS PUMP.</p> <p>MAINTAIN ALL SAFETY DECALS.</p> <p>PUMPS WITH THE "UL" MARK AND PUMPS WITH THE "US" MARK ARE TESTED TO UL STANDARD UL778. CSA CERTIFIED PUMPS ARE CERTIFIED TO CSA STANDARD C22.2 NO. 108.</p>	
<p>REFER TO WARRANTY ON PAGE 2.</p>	

LIMITED WARRANTY

Manufacturer warrants, to the purchaser and subsequent owner during the warranty period, every new product to be free from defects in material and workmanship under normal use and service, when properly used and maintained, for a period of one year from date of purchase by the end user, or 18 months from date of original manufacture of the product, whichever comes first. Parts that fail within the warranty period, one year from date of purchase by the end user, or 18 months from the date of original manufacture of the product, whichever comes first, that inspections determine to be defective in material or workmanship, will be repaired, replaced or remanufactured at Manufacturer's option, provided however, that by so doing we will not be obligated to replace an entire assembly, the entire mechanism or the complete unit. No allowance will be made for shipping charges, damages, labor or other charges that may occur due to product failure, repair or replacement.

This warranty does not apply to and there shall be no warranty for any material or product that has been disassembled without prior approval of Manufacturer, subjected to misuse, misapplication, neglect, alteration, accident or uncontrollable act of nature; that has not been installed, operated or maintained in accordance with Manufacturer's installation instructions; that has been exposed to outside substances including but not limited to the following: sand, gravel, cement, mud, tar, hydrocarbons, hydrocarbon derivatives (oil, gasoline, solvents, etc.), or other abrasive or corrosive substances, wash towels, feminine

sanitary products, or any other abusive entity, etc. in all pumping applications. The warranty set out in the paragraph above is in lieu of all other warranties expressed or implied; and we do not authorize any representative or other person to assume for us any other liability in connection with our products.

Contact Manufacturer at, 3649 Cane Run Road, Louisville, Kentucky 40211 USA, Attention: Customer Support Department to obtain any needed repair or replacement of part(s) or additional information pertaining to our warranty.

MANUFACTURER EXPRESSLY DISCLAIMS LIABILITY FOR SPECIAL, CONSEQUENTIAL OR INCIDENTAL DAMAGES OR BREACH OF EXPRESSED OR IMPLIED WARRANTY; AND ANY IMPLIED WARRANTY OF FITNESS FOR A PARTICULAR PURPOSE AND OF MERCHANTABILITY SHALL BE LIMITED TO THE DURATION OF THE EXPRESSED WARRANTY.

Some jurisdictions do not allow limitations on the duration of an implied warranty, so the above limitation may not apply to you. Some jurisdictions do not allow the exclusion or limitation of incidental or consequential damages, so the above limitation or exclusion may not apply to you.

This warranty gives you specific legal rights and you may also have other rights which vary from jurisdiction to jurisdiction.

APPLICATIONS

1. Zoeller Grinder Pumps are designed for grinding and pumping sanitary sewage from submersible lift stations. The pump is intended to grind and pump reasonable quantities of items normally found in sanitary sewage applications.
2. Zoeller 840, 841 and 842 Grinder Pumps can be installed in new applications or as a direct replacement for any grinder application of like size and capacity. Some rail system retrofit kits are available.
3. The 840, 841 and 842 can be installed in a Prepackaged Job Ready System or may be used in a Field-Assembled basin package. Pages 6 and 8 show a couple of Prepackaged Systems. Field-Assembled Systems are discussed on page 4.
4. Zoeller 840, 841 and 842 Grinder Pumps can be retrofitted to existing positive displacement pump installations.

Recommended Limits of Application 800 Series Grinder Pumps

These recommended application limits are for pump stations pumping to a gravity main. Low-pressure pipe systems should be designed with a pump located at each house. For applications where a lift station would handle between 15 and 60 homes, consider the 71 Series grinder pump, which is available through Zoeller Engineered Products. For applications where a lift station would handle more than 60 homes, a solids handling type pump should be considered.

Model	Simplex Station		Duplex Station	
	Homes	GPD / m ³ /day	Homes	GPD / m ³ /day
840 w/o reversing control	2*	800/3	10	4,000/15
840 w/ reversing control	2*	800/3	15	6,000/22
841	2*	800/3	10	4,000/15
842	2*	800/3	10	4,000/15

*Zoeller Company does not recommend a simplex station on anything over two homes in order to maintain continuous service during unusual conditions.

Preinstallation Checklist

1. **Inspect your grinder pump.** If the unit has been damaged in shipment, contact your dealer before installing. **Do Not** remove the test plug in the cover nor the motor housing.
2. **Carefully read all literature** to familiarize yourself with details regarding installation and use. Retain materials for future reference.



⚠ WARNING

SEE BELOW FOR LIST OF WARNINGS

1. **Make sure pump connection contains a ground terminal.** The power cord on all Zoeller Grinder Pumps contains a green conductor for grounding to help protect you against the possibility of electric shock.
2. **Make certain the electrical service is within reach of the power supply cord.**
3. **Make sure any panels and branch circuits are equipped** with proper size fuses and circuit breakers. An independent power circuit is recommended, sized according to the Governing Electrical Code, for the current shown on the grinder pump nameplate.
4. **For your protection, always disconnect the power source to the grinder pump before handling.** All grinder pumps must be properly grounded and wired in accordance with the "National Electrical Codes" and all local codes and ordinances.
5. Installation of electrical hardware and checking of control panels and circuits should be performed by a qualified licensed electrician.
6. Risk of electrical shock - These pumps have not been investigated for use in swimming pool areas.
7. The appliance is not intended for use by persons (including children) with reduced physical, sensory or mental capabilities, or lack of experience and knowledge, unless they have been given supervision or instruction concerning use of the appliance by a person responsible for their safety.



⚠ WARNING

Do not attempt to turn star cutter located on bottom of the unit with fingers. Use a wrench when checking or removing star cutter.

⚠ CAUTION

SEE BELOW FOR LIST OF CAUTIONS

1. **Make sure the power source** is capable of handling the electrical requirements of the grinder pump, as indicated on the nameplate.
2. **A disconnect switch should be installed ahead of the pump.**
3. The Grinder pumps are operated by control panels with variable level float control switches. It is the responsibility of the installing party to see that float control switches will not hang up on the grinder pump or other pit peculiarities and are secured so that the grinder pump will shut off. It is recommended to use rigid pipe and fittings and the pit be 61 cm (24") in diameter for simplex systems and 91 cm (36") in diameter for duplex systems or larger.
4. Grinder installations should be checked yearly for debris and/or build up which may interfere with the "ON" or "OFF" positions of variable level float control switches. Repair and service, other than cutter assembly maintenance, should be performed by Zoeller authorized service stations only.
5. Maximum operating temperature must not exceed 54°C (130°F).
6. **Pump and float switch electrical connections must be permanently installed, operational and protected from submergence.**
7. **Junction box conduit must be installed with watertight connection. Zoeller junction boxes include a UL Listed potting kit for sealing the conduit. Failure to properly install this sealant material could void warranty.**

Electrical Data

Model	RPM	Voltage	Phase	Hertz	Amps				KVA Code	Winding Resistance Line-to-Line
					Full Load	In Air	Shut Off	Locked Rotor		
V840	2800	220	1	50	13.5	6.0	7.5	24	A	1.3 / 4.0
AK840	2800	380	3	50	4.4	1.6	2.8	18	G	9.7
I840	3450	200	1	60	20.0	6.6	12.1	60	H	1.0 / 1.5
E840	3450	230	1	60	17.2	4.0	10.9	56	F	1.3 / 4.0
J840	3450	200	3	60	12.3	3.7	7.7	54	L	1.9
F840	3450	230	3	60	10.8	3.3	6.9	42	K	2.4
K840	3450	380	3	60	6.8	3.2	4.2	28	H	4.8
G840	3450	460	3	60	5.5	1.6	3.5	21	K	9.7
BA840	3450	575	3	60	4.5	1.0	2.5	11	F	15.3
V841	2800	220	1	50	13.5	6.0	7.5	24	A	1.3 / 4.0
AK841	2800	380	3	50	4.4	1.6	2.8	18	G	9.7
I841	3450	200	1	60	20.0	6.6	12.1	60	H	1.0 / 1.5
E841	3450	230	1	60	17.2	4.0	10.9	56	F	1.3 / 4.0
J841	3450	200	2	60	12.3	3.7	7.7	54	L	1.9
F841	3450	230	2	60	10.8	3.3	6.9	42	K	2.4
K841	3450	380	3	60	6.8	3.2	4.2	28	H	4.8
G841	3450	460	2	60	5.5	1.6	3.5	21	K	9.7
BA841	3450	575	2	60	4.5	1.0	2.5	11	F	15.3
AK842	2800	380	3	50	4.4	1.6	2.8	18	G	9.7
I842	3450	200	1	60	20.0	6.6	12.1	60	H	1.0 / 1.5
E842	3450	230	1	60	17.2	4.0	10.9	56	F	1.3 / 4.0
J842	3450	200	3	60	12.3	3.7	7.7	54	L	1.9
F842	3450	230	3	60	10.8	3.3	6.9	42	K	2.4
K842	3450	380	3	60	6.8	3.2	4.2	28	H	4.8
G842	3450	460	3	60	5.5	1.6	3.5	21	K	9.7
BA842	3450	575	3	60	4.5	1.0	2.5	11	F	15.3

General Information

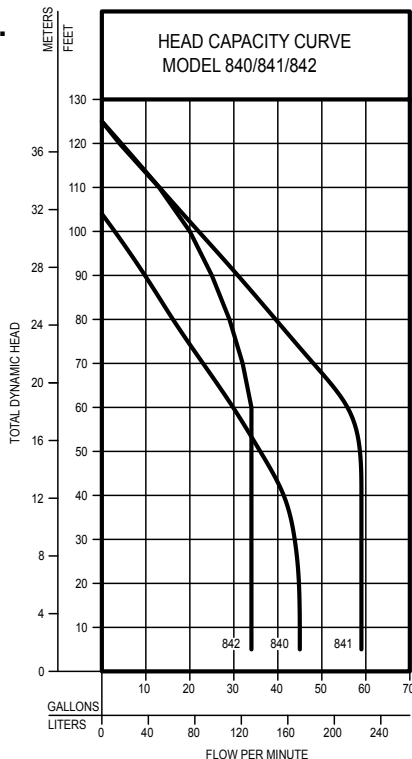
GRINDER PUMP DESCRIPTION

1. Pumps are constructed of class 30 cast iron protected with powder coated epoxy protection for long life when pumping sewage in submersible applications. The cutter assembly is comprised of stainless steel components, hardened to a value of 55-60 on the Rockwell C scale, a star shaped cutter and a precision-ground flat disk. Cutting action takes place with the rotation of the star cutter at 3450 RPM (60 Hz) or 2800 RPM (50 Hz) against the stationary cutter plate (see page 11).
2. The cutter mechanism on the model 840 is bidirectional, enabling it to cut in either direction. A control panel with the reversing feature will alternate the pump's rotational direction with each duty cycle. The cutter mechanism on models 841 and 842 is single directional.
3. Pump motors are available in single and three phase design. Single phase motors require a Zoeller-approved starting relay, starting capacitor and a run capacitor, which are mounted in a control panel (see page 8).
4. The 840, 841 and 842 Grinder Pumps are dual seal and have seal leak probes. Single phase units have an internal thermal overload. Three phase pumps have a thermal sensor.
5. Three phase pumps require overload protection in the control panel.
6. A Grinder Pump is an intermittent duty pump designed for pumping sanitary sewage. It is not a dewatering or trash pump.

FIELD-ASSEMBLED INSTALLATION

1. Installation and piping instructions are included with the control panel, rail system and basin instructions. If pump is being retrofitted to an existing rail system, accessory parts may be required. Consult the factory and advise make and model of rail system being used.
2. Refer to the appropriate Indoor/Outdoor prepackaged instructions on pages 6-9 for more information on system installation.
3. All electrical connections including pump to control box and power supply to control panels must comply with the "National Electrical Code" and applicable local codes. Conduit and panel enclosure openings must have a gas-tight and watertight seal. Installation of electrical panels, conduit and connections should be made by a qualified, licensed electrician. A UL Listed potting kit, P/N 10-2350, is available from Zoeller Company.
4. A properly sized disconnect switch, supplied by others, shall be installed on the service side of the pump and control panel.
5. When installing a pump with a check valve, or a rail system with a check valve, you must give the pump case time to fill to help prevent air lock when lowering the unit into the liquid. The pump case has an air vent located behind the discharge. This air vent is across the pump housing mounting surface and must be cleaned before each reinstall. An extra air vent hole 5 mm (3/16") may be drilled in discharge pipe below the check valve to help prevent air lock. This drilled hole must be cleaned before each reinstall. After the pump is installed, run the unit submerged to assure the pump case is filled (Water should come out of 5 mm (3/16") diameter hole).

FIGURE 1.



60Hz

TOTAL DYNAMIC HEAD/FLOW
PER MINUTE
SEWAGE

MODEL		840		841		842	
Feet	Meters	Gal.	Liters	Gal.	Liters	Gal.	Liters
5	1.5	45	170	59	223	34	129
10	3.0	45	170	59	223	34	129
20	6.1	45	170	59	223	34	129
30	9.1	44	167	59	223	34	129
40	12.2	42	159	59	223	34	129
50	15.2	36	136	59	223	34	129
60	18.3	30	114	57	216	34	129
70	21.3	23	87	48	182	32	121
80	24.4	16	61	39.5	150	29	110
90	27.4	10	38	31	117	25	95
100	30.5	3	11	22	83	20	76
110	33.5	--	--	13	49	13	49
120	36.6	--	--	4.5	17	4	15
Shut-off Head:		104 ft (31.7 m)		125 ft (38.1 m)		125 ft (38.1 m)	

016532

Pump Wiring Instructions



▲ WARNING

FOR YOUR PROTECTION, ALWAYS DISCONNECT THE PUMP FROM ITS POWER SOURCE BEFORE HANDLING.

▲ WARNING

All electrical connections must be wired and grounded in accordance with the National Electrical Code and all applicable local codes and ordinances.



▲ WARNING

Risk of electrical shock. Do not remove the power supply cord and strain relief or connect conduit directly to pump.

▲ WARNING

Installation and checking of electrical circuits and hardware should be performed by a qualified licensed electrician.

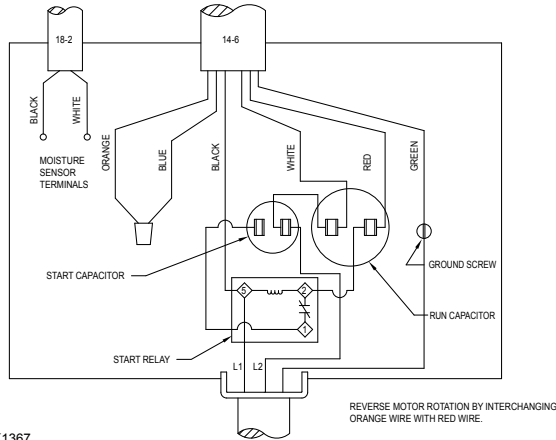
▲ NOTICE Locate section with appropriate phase and model number, then match lead wire color.

FIGURE 2.

**SINGLE PHASE-2HP
MODEL 840**

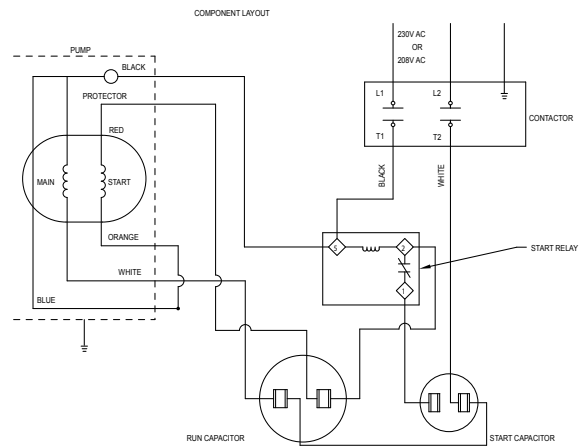
50/60Hz

LEAD IDENTIFICATION



SK1367

WIRING DIAGRAM



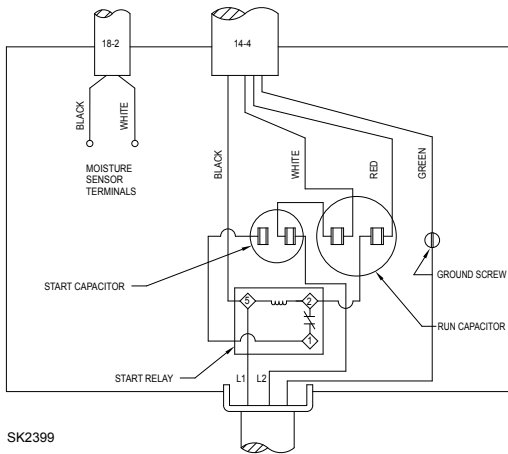
009048

FIGURE 3.

**SINGLE PHASE
MODELS 841 & 842**

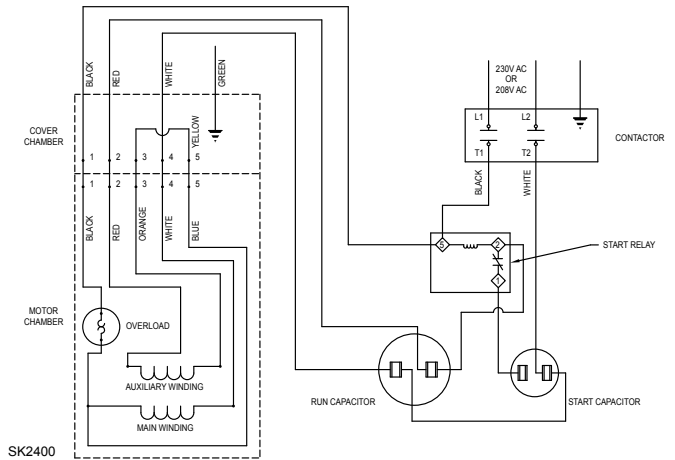
50/60Hz

LEAD IDENTIFICATION



SK2399

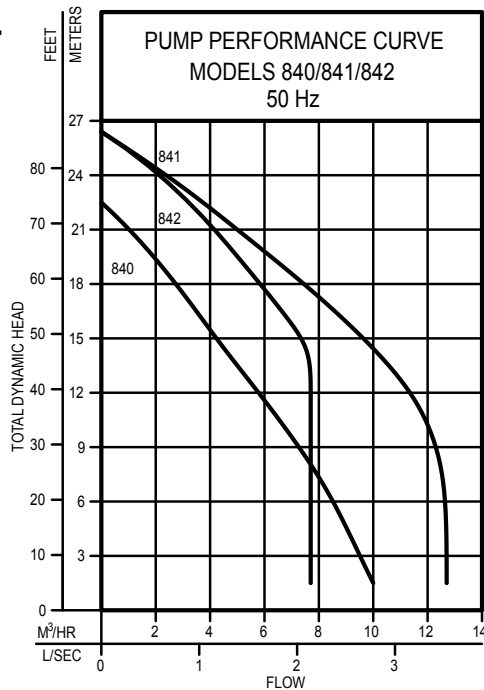
WIRING DIAGRAM



SK2400

FIGURE 4.

50Hz



**TOTAL DYNAMIC HEAD/FLOW
PER MINUTE
SEWAGE**

MODEL		840		841		842	
Meters	Feet	m ³ /hr	L/sec	m ³ /hr	L/sec	m ³ /hr	L/sec
1.5	5.0	10.0	2.8	7.7	2.1	12.7	3.6
2	6.6	9.8	2.7	7.7	2.1	12.7	3.5
4	13.1	9.2	2.6	7.7	2.1	12.7	3.5
6	19.7	8.6	2.4	7.7	2.1	12.7	3.5
8	26.2	7.8	2.1	7.7	2.1	12.5	3.4
12	39.4	5.8	1.6	7.7	2.1	11.6	3.2
16	52.5	3.8	1.1	7.0	1.9	8.9	2.5
20	65.6	1.6	0.4	4.9	1.4	5.8	1.6
24	78.7	--	--	2.4	0.7	2.5	0.7
Shut-off Head:		22.6m (74.1 ft.)		26.8m (88 ft.)		26.8m (88 ft.)	

A00648B

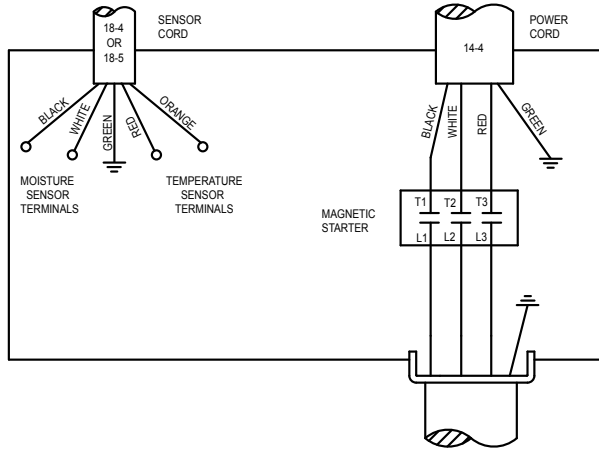
▲ NOTICE Locate section with appropriate phase and model number, then match lead wire color.

FIGURE 5.

**THREE PHASE
MODELS 840, 841 & 842**

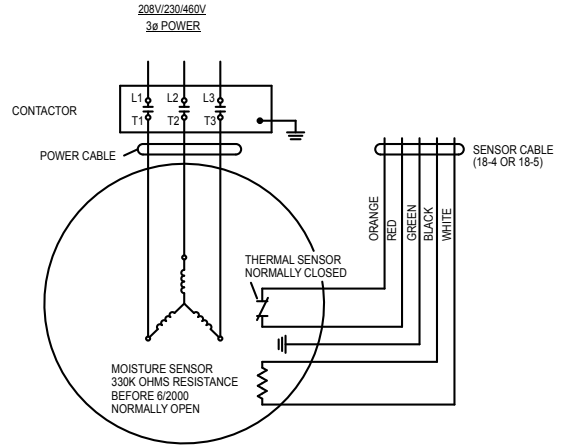
50/60Hz

LEAD IDENTIFICATION



SK1368

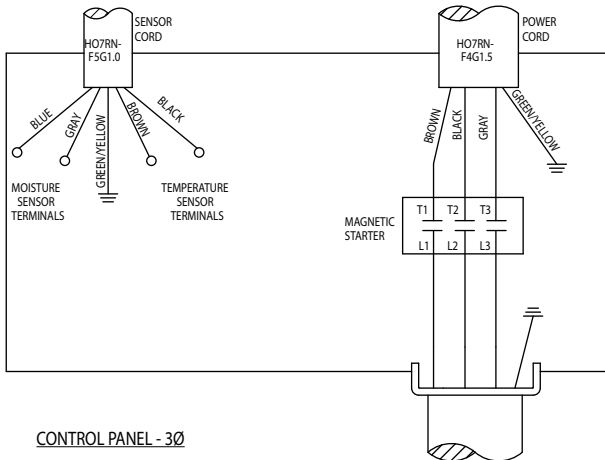
WIRING DIAGRAM



SK1370

**THREE PHASE
MODELS 840, 841, 842
CE MODEL**

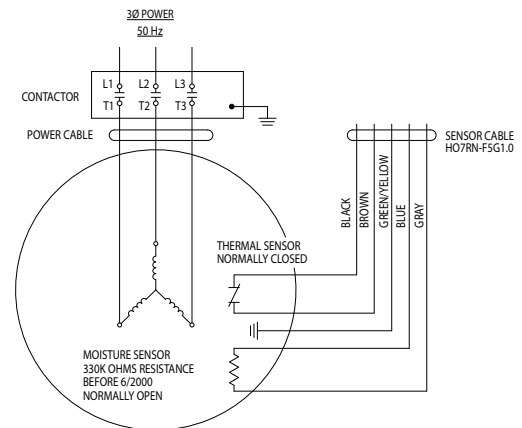
LEAD IDENTIFICATION



CONTROL PANEL - 3Ø

SK2859

WIRING DIAGRAM

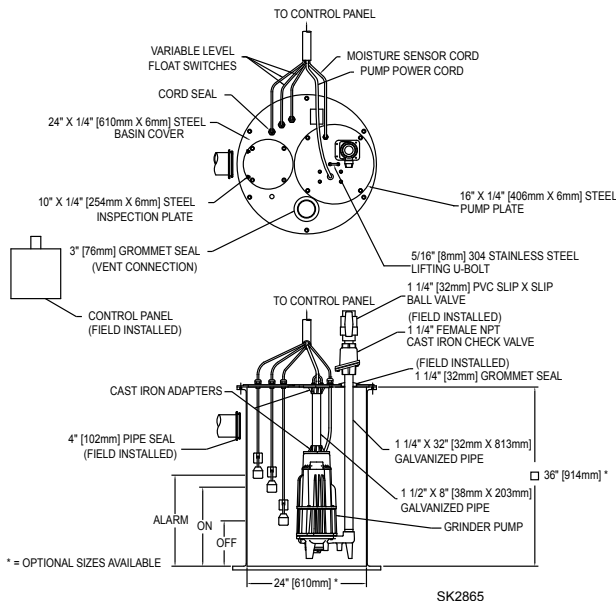


3 PHASE MOTOR

SK2860

FIGURE 6.

INDOOR PREPACKAGED SYSTEM



SK2865

DECLARATION OF CONFORMITY

We Zoeller declare under our sole responsibility that the models 840 / 841 / 842 to which this declaration relates, are in conformity with the Governing Electrical Code on the approximation of the laws of the EC Member States relating to:

- Machinery Directive (2006/42/EC)
Standards used: EN 809: 1998
- Electromagnetic Compatibility (2004/108/EC)
Standards used: EN 61000-3-2, EN 61000-3-3 and EN 55014-1
- Electrical equipment designed for use within certain voltage limits (2006/95/EC)
Standards used: EN60335-1:2002 and EN60335-2-41:2003

All installations must comply with all applicable electrical and plumbing codes, including but not limited to the Governing Electrical Code, local, regional and/or state plumbing codes, etc.

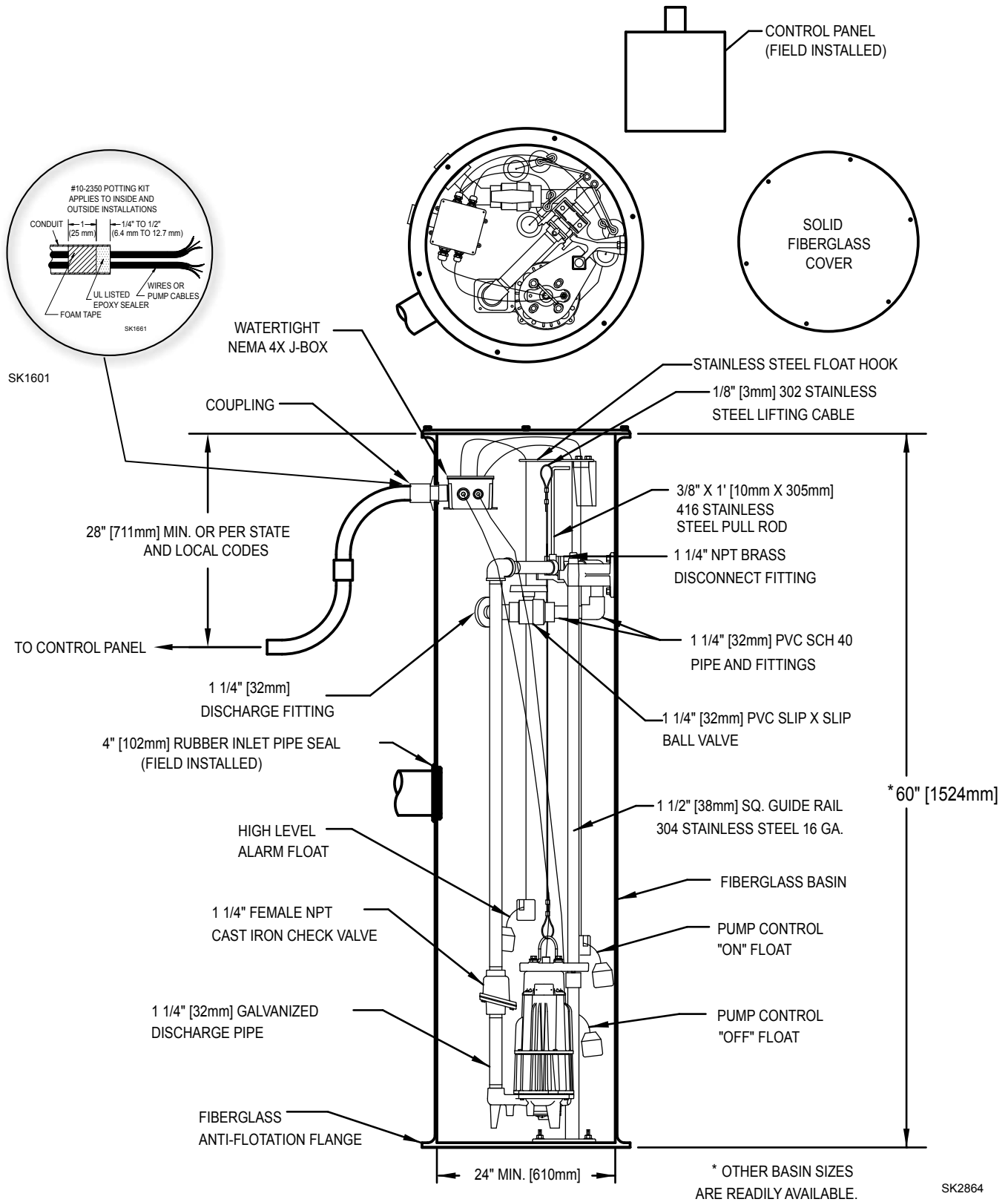
Indoor Prepackaged System Installation Instructions

▲ NOTICE This set of instructions is for factory prepackaged indoor systems only. If your system is a field-assembled indoor system, use these instructions as a guideline. If your system is an outdoor system, then go to the next section in this manual that covers outdoor systems.

1. Indoor grinder pump systems are for installing at grade in an indoor application only. If you will be installing this system outside next to the residence, you will need an outdoor system. **DO NOT INSTALL THE INDOOR SYSTEM OUTDOORS.**
2. Review the drawing in Figure 7 on page 6 and the actual system to become familiar with the components in the grinder pump system. Review where the unit will be installed. Determine where the power feed, inlet pipe, discharge pipe and vent will be located.
3. Remove the unit from the packing. Indoor prepackaged systems are preassembled at the Zoeller Company and require a minimum of field assembly work. All work inside the basin can be performed via the inspection port. There should be no reason to remove the cover from the basin. Pump and float switches are already set inside the basin.
4. Remove the inspection plate from the cover. All floats are set and tethered for proper operation from the factory. Verify that where the float switches are set will work for your application. **Verifying that the float switches are set properly and will not hang up inside the basin is the responsibility of the installing contractor.** Float switches are tied in place for shipping purposes. Cut the cable tie around each float switch bulb or the unit will not operate properly.
5. Dig a hole for the basin. The basin should be located in a very low traffic area within 5 m (15') of the power disconnect. The hole should be at least 203 mm (8") larger in diameter than the basin in order to leave 102 mm (4") of backfill all the way around the perimeter. A minimum of 102 mm (4") of compacted subbase is also required. Backfill and subbase should be 3.2 mm (1/8") to 3/4" (19 mm) pea gravel or 3.2 mm (1/8") to 12.7 mm (1/2") crushed stone. Also reference the basin installation instructions included with the unit.
6. The 102 mm (4") inlet hub should be located between the top lip of the basin and the alarm float "on" level with a minimum distance of 254 mm (10") between the floor of the basin and hub. Determine the location of the inlet hub based upon your inlet pipe arrangement. The inlet hub must be used with 102 mm (4") pipe. It is best to install the inlet on the side of the basin opposite the float switches. Most systems are supplied with a field installed 102 mm (4") pipe seal inlet fitting. This inlet fitting is installed in the basin's side-wall in a 127 mm (5") hole drilled with a hole saw at a location lining up with the inlet pipe.
7. Set the basin in the hole and connect the 102 mm (4") inlet pipe to the inlet hub using the rubber insert. Backfill around the basin with specified media. Care should be taken not to damage components or leave voids when backfilling. Finish grade of floor should be poured in place around the top 152 mm (6") of the basin assembly.
8. Connect the discharge pipe, valves and vent according to all applicable National, State and Local plumbing codes.
9. Mount the control panel on the wall within 5 m (15') of the system. Connect the float switch and pump cords.
10. Clean any debris out of the basin. Fill the basin with water and check the system for proper operation.
11. Record system start-up data for future reference.
12. Seal and secure the inspection plate to the lid using the proper bolts and sealant. Pouring concrete around the system can now be completed.

Typical Outdoor Grinder Pumping System Installation

FIGURE 7.



All installations must comply with all applicable electrical and plumbing codes, including but not limited to the National Electrical Code, local, regional and/or state plumbing codes, etc.

Outdoor Prepackaged System Installation Instructions

▲ NOTICE This set of instructions is for factory prepackaged outdoor grinder systems with Square Guide Rail system. If installing a Z-Rail® Package or a field-assembled outdoor system you can use these instructions as a guideline. If this is an indoor system then go back to pages 6 and 7 in this manual that covers indoor systems. The pump should not be installed in the basin until permanent electrical power is available.

1. Review the drawing in Figure 8 on page 8 and the actual system to become familiar with the components in the packaged grinder pump system. Review where the unit will be installed. Determine where the power feed, inlet pipe, and discharge pipe will be located.
2. Remove the unit from packing. Prepackaged outdoor systems are preassembled at the Zoeller Company and require a minimum of field assembly work. Float switches are set and tethered for proper operation from the Factory. The alarm switch should be located 76 mm (3") above the pump "on" level. Three-float systems used with a control panel are placed at 686 mm (27"), 610 mm (24"), and 381 mm (15") from the bottom of the basin. Four float systems used with a control panel are placed at 762 mm (30"), 686 mm (27"), 610 mm (24"), and 381 mm (15") from the bottom of the basin. If the invert location is at or below the level of the float switches, contact the factory.
3. Float switches are tied in place for shipping purposes on all model prepackaged systems. Cut the cable tie around each float switch bulb or the unit will not operate properly. Verify that where the float switches are set will work for your application. **Verifying that the float switches are set properly and will not hang up inside the basin is the responsibility of the installing contractor.**
4. Dig a hole for the basin. The hole should be at least 610 mm (24") larger in diameter than the basin diameter to provide 305 mm (12") of backfill all around and deep enough to provide either 305 mm (12") of compacted backfill or 152 mm (6") when a concrete pad is required. **Note: Care must be taken when excavating in order to avoid underground utilities and disturbance of existing structure foundations. The hole should be located at least ten feet from adjacent structures. Additional distance may be required to sufficiently locate the basin outside of the loading area of the adjacent structures.**
5. The location of the inlet hub is determined by the depth of the inlet pipe. The inlet hub must be used with 102 mm (4") pipe. It is best to install the inlet on the side of the basin opposite the float switches. To install, use a 102 mm (4") hole saw to drill into the side of the basin at the correct elevation. Center the hub inner diameter with the hole in the basin. Attach the hub to the side of the basin using the sealant and hardware provided.
6. The bottom of the excavation can now be properly backfilled, compacted and leveled. Set basin in hole. Ensure the removable cover extends above the finished grade line and the grade slopes away from the unit. Backfill and subbase should be 3.2 - 19 mm (1/8" - 3/4") pea gravel or 3.2 - 12.7 mm (1/8" - 1/2") crushed stone. (Reference basin installation instructions included with unit.) Most systems are supplied with a field installed 102 mm (4") pipe seal inlet fitting. This inlet fitting is installed in the basin's side-wall in a 127 mm (5") hole drilled with a hole saw at a location lining up with the inlet pipe. Other type fittings and sizes are occasionally provided.
7. Pouring a concrete anchor around system can now be completed. Basin should be filled with water when pouring concrete to minimize movement of the system. Backfill around basin with specified media. Care should be used to avoid damaging components or leaving voids when back filling. Refer to Basin installation reference guide on more specific requirements.
8. PVC or HDPE discharge piping is connected to the 132 mm (1 1/4") threaded fitting located in the basin sidewall. Support discharge piping with sufficient backfill.
9. On basin depths of 1.8 m (72") and greater, the system's disconnect assembly is shipped loose and must be screwed into the discharge piping. Apply pipe dope to threaded connection.
10. Connect pull rod to Pump assembly. Connect lift cable to top of pump. Lower the pump into basin ensuring the discharge pipe bracket slides into the disconnect fitting.
11. **Note: The grinder basin is a sewage holding tank. Vent connection should be installed in accordance with all national, state and local plumbing codes.**
12. Dig a trench for the electrical conduit. The conduit should be located below the frost line. Follow all applicable electrical codes.
13. Connect electrical conduit and wiring to junction box according to wiring instructions included in this manual and wiring diagram in box. Use the potting kit provided with the junction box. Follow the instructions for sealing the conduit connection at the junction box.
14. Mount the control panel within sight of the system. Connect float switches and pump cords according to the "Pump Wiring Instructions" found in this manual and located inside the panel enclosure.
15. Remove any debris from the basin. Using clean water, check the system for proper operation.
16. Seal and secure the lid using the proper bolts and sealant when using a lid without a formed gasket.
17. Test system for leaks and proper pump operation.
18. Record system start-up data for future reference.

Operation

GENERAL

Zoeller pumps are lubricated and tested at the factory prior to shipment and require minimum pre-start-up maintenance.

Maximum operating temperature of pump liquid for grinder pumps must not exceed 54°C (130°F).

These units are designed for intermittent duty sanitary sewage applications. If pump is used to dewater areas or pump liquids with heavy or abrasive materials, the warranty will be voided.

NAMEPLATE DATA

The nameplate, located on the side of the pump, indicates specific information about the construction of the pump. The model number and date code information should be recorded on the front page in the "Owner's Information" section of this manual.

SHORT-TERM STORAGE

Do not install pump until electrical power is available and system is operational. When not in use, the pump should be stored, and the following is advised:

- Store pump inside whenever possible, or cover with some type of protective covering.
- Tape or seal in plastic bag the terminal ends of wire leads.
- Spray-coat unpainted surfaces with rust inhibiting oil.
- The impeller should be rotated every six months in order to keep the seals lubricated and not develop a permanent set.

If panel is to be stored, the following is advised:

- Store the panel inside whenever possible and leave in the shipping box.
- All openings shall be sealed.
- Store in an upright position.
- Do not stack anything on top of panel.

START-UP PROCEDURE

Before placing the equipment into operation, the following should be checked:

- Clean pit.
- Pump, float switches, electrical cables and junction box are dry and properly installed.
- Electrical boxes dry, sealed and securely installed.
- Floats positioned properly.
- Discharge valves open.
- 5 mm (3/16") vent hole drilled in pipe between check valve and pump.

Once the above has been verified, proceed with the following checks:

- Pump power cables and control floats properly installed and voltage verified.
- Conduit connections to panel and junction box are properly sealed.
- For three-phase units, check for proper pump rotation and connect overload protection sitting in the panel.
- After installing the pump into the containment area, with adequate submergence, open the shut-off valve fully. Start the unit using manual controls. If flow is appreciably less than rated performance, pump may be air locked. To expel trapped air, jog the unit several times, using the manual controls.
- Have a qualified electrician take voltage and current measurements with the pump running. Record these readings in the space provided in the "Owner's Information" section on page 1 of this manual for future reference.

ADJUSTMENT PROCEDURE

Pumps: No adjustments are required.

Floats: Refer to the system drawing or to the panel wiring schematic for the desired location of each float switch setting.

Valves: Discharge valves should be placed in the fully open position. Systems should not be operated for extended periods of time with the discharge valves partially closed due to damaging the valve.

SHUT-DOWN PROCEDURES

If a system is shut down for more than six months, the following is recommended:

Pumps: If pit is to remain dry, the pump can remain in the pit. With the pump in the pit, it should be operated for five minutes once every three months. If the pit is to remain wet, the pump should be removed and stored as noted above.

Panels: The panel should have all openings sealed to prevent moisture and dust from entering the enclosure. Prior to restarting system, the panel should be inspected for presence of moisture and any loose connections.

Valves: Consult the valve/actuator supplier for information concerning these systems components.

Cutter Maintenance

1. **All power circuits must be disconnected and locked out before any attempts are made at servicing.** The star cutter and disc can be removed and sharpened by grinding the cutting faces. Both star cutter and disc must be removed from the pump. Removal of these parts can be accomplished in the field by removing pump from the sump and positioning horizontally to access the intake of the pump. If seals or other repairs are required, the pump must be totally removed and serviced in a shop by a qualified pump technician or authorized service center.
2. Remove the three countersunk screws on the plastic guard ring and remove the ring.
3. Thoroughly clean the star cutter and disc assembly. Tilt pump back to the vertical position to make certain the end play has been removed. Check and record the clearance between the star cutter and disc with a feeler gage. The correct running clearance is between 0.1 mm (0.004") and 0.2 mm (0.008").
4. With pump in horizontal position, heat the hex head bolt in the center of the star cutter with a propane torch. The bolt must be heated to 176°C (350°F) to soften the thread lock sealer on the bolt for ease of removal. Remove the bolt by turning in a counterclockwise rotation. It will be necessary to use a wood block to prevent the star cutter from turning while removing the bolt. Pull star cutter from the shaft and remove the spacer shims located behind the star cutter.
5. Remove the three cap screws holding the disc and remove disc from the pump.
6. The disc and star cutter can be replaced with new service parts or resurfaced by grinding. Resurfacing is accomplished by surface-grinding both disc and star cutter to a 32 micro finish. Do not attempt grinding in the field. Send parts to a qualified machine shop or return to the factory for repair. The disc, star cutter and shims are a matched set. Keep parts together. Measure disc before and after resurfacing with micrometer and record measurements.
7. After resurfacing, the disc and star cutter must be flat within 0.025 mm (0.001"). If the disc has been surface ground, it will be necessary to remove shims to compensate for the material removed from the disc. As a starting point, remove shims of the same thickness as the amount machined from the cutter disc (step 6 above). Final running clearance must be between 0.1 mm (0.004") and 0.2 mm (0.008"). Be sure pump is in vertical position and all end play has been removed before measuring.
8. Clean bottom of pump where disc is located and replace disc and retainer screws. Torque to 7.1-7.6 Nm (63-67 in-lbs). Replace star cutter with the correct shims. Install washer and torque hex head bolt to 8-8.5 Nm (71-75 in-lbs.) apply Loctite 262 thread-lock sealant or equal to bolt threads prior to insertion. Check running clearance with pump in vertical position to remove end play. Clearance must be between 0.1 mm (0.004") and 0.2 mm (0.008") to obtain efficient grinding when pump is put back in service.
9. Replace plastic guard ring and its three screws.
10. Check the oil in the motor housing before reinstalling. Contact the factory if the oil has a milky appearance or burnt smell. The level should be even with the fill plug when pump is in the upright position. Add oil if required. Use insulating oil supplied by the factory.

FIGURE 8.

To remove star cutter: Remove guard ring then heat the center bolt to 176°C (350°F) to loosen Loctite® thread sealant.



(Model 840 components shown)



Grind the Star Cutter and Disc seen here to a 32 microfinish. Surfaces must be flat to within 0.025 mm (0.001") T.I.R. Gap must be between 0.1 mm (0.004") and 0.2 mm (0.008") on these parts.

General Maintenance

▲ NOTICE Repair and service should be performed by a Zoeller Pump Company Authorized Service Station only.

SAFETY PROCEDURES

▲ WARNING For your protection, always disconnect pump and panel from its power source before handling.

▲ WARNING Never enter the basin until it has been properly vented and tested. Any person entering a basin should be wearing a harness with safety rope extending to the surface so that they can be pulled out in case of asphyxiation. Sewage water gives off methane and hydrogen sulfide gases, both of which can be highly poisonous.

Installation and checking of electrical circuits and hardware should be performed by a qualified electrician.

Pump is never to be lifted by power cord.

▲ WARNING Unit must be cleaned and disinfected, inside the pumping chamber and all exterior surfaces, prior to servicing.

GENERAL SYSTEM INSPECTION

Before the system is placed into operation, it should be inspected by a qualified technician.

▲ WARNING Wiring and grounding must be in accordance with the National Electrical Code and all applicable local codes and ordinances.

LUBRICATION PROCEDURES

No lubrication is required.

If pumps are to be stored for more than six months, refer to short-term storage procedure in the Operation section.

PREVENTIVE MAINTENANCE

Preventive maintenance is recommended to ensure a long service life from the product. Provided is a suggested maintenance schedule.

Every six months:

- Inspect and test system for proper operation.
- Check for proper and unobstructed float operation.
- Listen for proper check valve operation.

Every 5 years or 10,000 hours of operation:

- Remove pump, inspect and service using a Zoeller rebuild kit.
- Flush and clean basin.

DOUBLE SEAL PUMPS

Double seal pumps offer extra protection when these pumps are supplied with optional moisture sensors, check the control panel's seal failure light for a warning. Whenever the seal leak light is activated, it's indicating that moisture is present, and the pump should be removed and serviced in order to avoid damage to the motor.

Service Checklist

▲ WARNING Electrical precautions. Before servicing a grinder pump, always shut off the main power circuit. Make sure you are wearing insulated protective sole shoes and not standing in water. Under flooded conditions, contact your local electric company or a qualified licensed electrician for disconnecting electrical service to the pump prior to removal.

▲ WARNING Grinder pumps contain oil which becomes pressurized and hot under operating conditions. Allow 2½ hours after shut down before servicing pump.

Condition	Common Causes
A. Pump will not start or run.	Blown fuse, open circuit breaker, low voltage, no control voltage, thermal overload open, defective capacitor circuit, impeller clogged, float switch held down or defective, incorrect wiring in control panel, water in cap assembly.
B. Motor overheats and trips overload.	Incorrect voltage, impeller restricted, negative head discharge lower than intake of pump). Defective "off" float. Pump runs continuously at low water level. Low oil level in motor shell. Reverse rotation of a 3-phase pump.
C. Pump will not shut off.	Air lock, debris under float assembly, defective switch, incoming flow rate exceeds capacity of pump.
D. Pump operates, but delivers little or no water.	Intake clogged with grease or sludge, pump air locked (clear vent hold), low or incorrect voltage, clogged discharge line, operating near shut-off head.
E. Pump starts and stops too often.	Check valve stuck open or defective. Sump pit too small to handle incoming flow rate. Level control out of adjustment. Thermal overload tripping.
F. Red beacon comes on at control panel.	High water in pit. Check pump for clogging, or overload trip. See "A", "B", and "D" above.
G. Grease and solids accumulate in pit around pump.	Break up solids and run pump with water running into the pit. Allow level to lower to the pump intakes. Heavy accumulations of grease may require a dish soap additive. Continue until solids are cleared from the pit. Do not drain kitchen grease down the sink.

If the above checklist does not uncover the problem, consult the factory. Do not attempt to service or otherwise disassemble pump. Service must be performed by Zoeller Authorized Service Stations. Go to www.zoellerpumps.com/servicestations to find the Authorized Service Station in your area.