

Tank Alert® XT Indoor/Outdoor Alarm

Terminal Block Option Wiring Instructions

INSTALL THE FLOAT SWITCH AND ALARM

Follow Tank Alert® XT Indoor/Outdoor Alarm Installation Instructions included.

INSTALL THE PUMP SWITCH

NOTE: Electrical rating of pump must not exceed 20 amps at 120 VAC or 20 amps at 230 VAC.

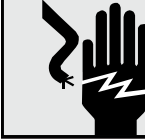
1. Follow mounting instructions included with pump switch.
2. Determine the type of pump switch to be installed. Select the installation diagram from Figure A that corresponds to the type of pump switch being installed. Run wires from pump switch through conduit as shown in Figure A:

Two-Wire Pump Switch Wiring: Using positions on the right side of the terminal block, connect the black wire to position 6, the white wire to position 7 as shown in Figure A (left diagram).

Double Float® Wiring: Using positions on the right side of the terminal block, connect the black wire to position 6, the white wire to position 5, the red wire to position 7 as shown in Figure A (right diagram).

NOTE: Route pump power and alarm power cords through conduit on left. Route control switch, pump switch, and pump cords through conduit on right.

⚠ WARNING



ELECTRICAL SHOCK HAZARD

Disconnect power before installing or servicing this product. A qualified service person must install and service this product according to national and local electrical codes. Do not install in hazardous locations as defined by the National Electrical Code, ANSI/NFPA 70.

INSTALL THE PUMP

1. Run wires from pump through the same conduit as the pump switch wiring as shown in Figure B.
2. On the left side of the terminal block, connect the black wire to position 7, and on the right side of the terminal, connect the white wire to position 5, and the green wire to position 8 as shown in Figure B.
3. Run wires from pump power source through conduit as shown in Figure C. This source should be on a separate circuit from alarm power.
4. Using positions on the left side of the terminal block, connect the white wire to terminal position 5, the black wire to terminal position 6, and the green wire to terminal position 8 as shown in Figure C.
5. Turn power on and tip pump switch to check installation. Turn power off.
6. Finish installing alarm panel according to Tank Alert® XT Installation Instructions.

FIGURE A

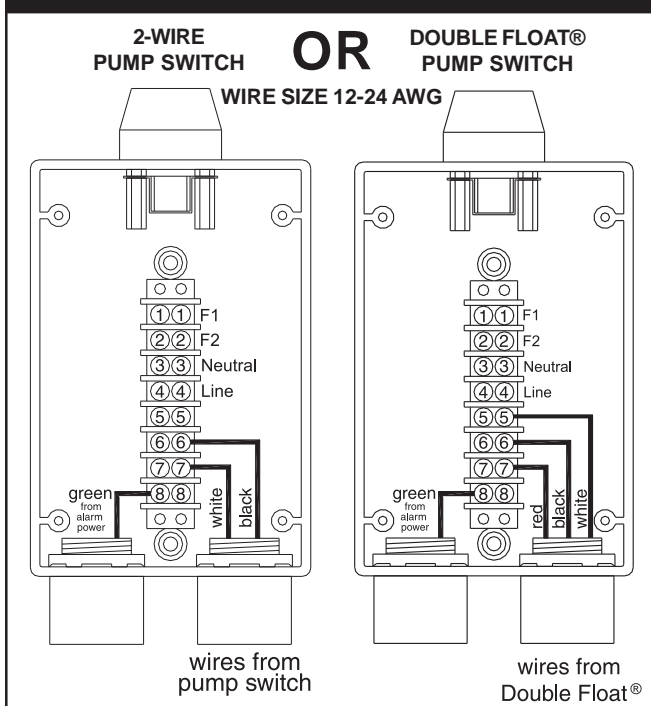


FIGURE B

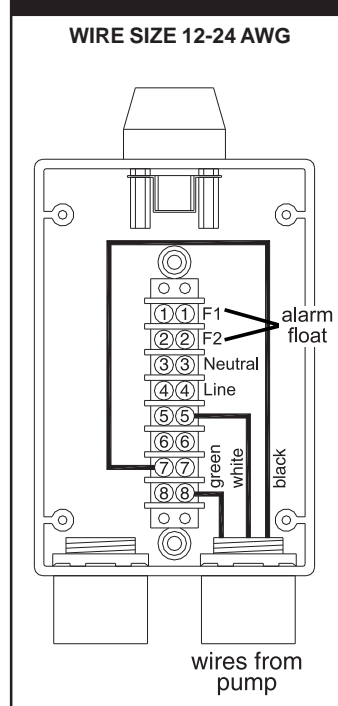


FIGURE C

